



US00D703706S

(12) **United States Design Patent**
Mueller

(10) **Patent No.:** **US D703,706 S**
(45) **Date of Patent:** **** Apr. 29, 2014**

(54) **EJECTION STATION**

(75) Inventor: **Robert Mueller, Roth (DE)**

(73) Assignee: **Trumpf Werkzeugmaschinen GmbH + Co. KG (DE)**

(**) Term: **14 Years**

(21) Appl. No.: **29/412,456**

(22) Filed: **Feb. 3, 2012**

(51) **LOC (10) Cl.** **15-09**

(52) **U.S. Cl.**

USPC **D15/122**

(58) **Field of Classification Search**

USPC D15/122, 124, 127, 128, 130, 131;
29/26 A, 26 R, 30, 33 A-33 T, 34 R, 39,
29/50, 563-566, 564.1-564.8; 483/17-57

See application file for complete search history.

(56) **References Cited**

U.S. PATENT DOCUMENTS

D266,520 S *	10/1982	Engel	D15/122
4,443,929 A *	4/1984	Bayer et al.	483/32
D445,807 S *	7/2001	Baulk	D15/127
7,013,543 B2 *	3/2006	Iwabuchi et al.	29/27 C
D559,871 S *	1/2008	Kittaka et al.	D15/122
D578,144 S *	10/2008	Arisue et al.	D15/122
D635,596 S *	4/2011	Hiroshima et al.	D15/122
D654,518 S *	2/2012	Miyake et al.	D15/122
D659,728 S *	5/2012	Mueller	D15/122
D667,031 S *	9/2012	Mueller	D15/122
D693,380 S *	11/2013	Mueller	D15/122

OTHER PUBLICATIONS

Page 3 of 3 (Fig. 53404) of Trumpf Product Information Brochure of "Modules of the TruLaser Tube 7000" published by TRUMPF Werkzeugmaschinen GmbH + Co. KG, Identification No. B627EN, on Mar. 18, 2011.

36 page Product Information Brochure of "TruLaser Tube 5000" published by Trumpf Werkzeugmaschinen GmbH + Co. KG, Identification No. V361EN, on May 20, 2011.

38 page Product Information Brochure of "TruLaser Tube 7000 With Flexible Part-Removal Station" published by TRUMPF Werkzeugmaschinen GmbH + Co. KG, Identification No. V627EN, on Sep. 30, 2011.

Undated prior art image from Blmgroup website—<http://www.blmgroup.com>.

Undated prior art image from Soco website—<http://www.socosystem.de>.

Undated prior art image from HanKwang website—<http://www.hankwang.us>.

Undated prior art image from Hans Laser website—<http://www.hanslaser.net>.

Undated prior art image from Mazak fabri gear website—<http://www.mazak.eu>.

Undated prior art image from Tube Tech Machinery website—<http://www.tubetechmachinery.com>.

* cited by examiner

Primary Examiner — Patricia Palasik

(74) *Attorney, Agent, or Firm* — Michael D. Bednarek; Axinn Veltrop Harkrider LLP

(57) **CLAIM**

I claim the ornamental design for an ejection station, as shown and described.

DESCRIPTION

FIG. 1 is a front perspective view of an ejection station showing my new design;

FIG. 2 is a right elevation view thereof;

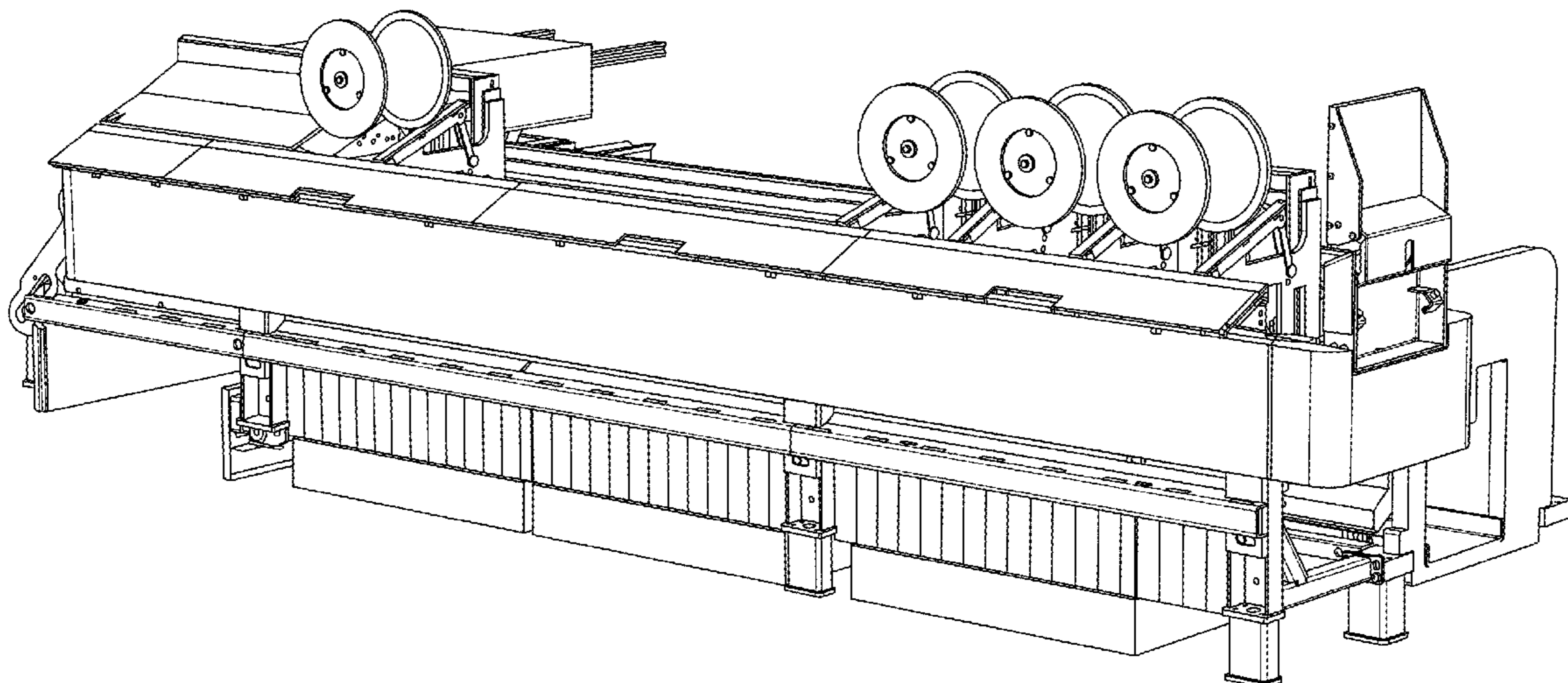
FIG. 3 is a left elevation view thereof;

FIG. 4 is a front elevation view thereof;

FIG. 5 is a rear elevation view thereof; and,

FIG. 6 is a top plan view thereof.

1 Claim, 6 Drawing Sheets



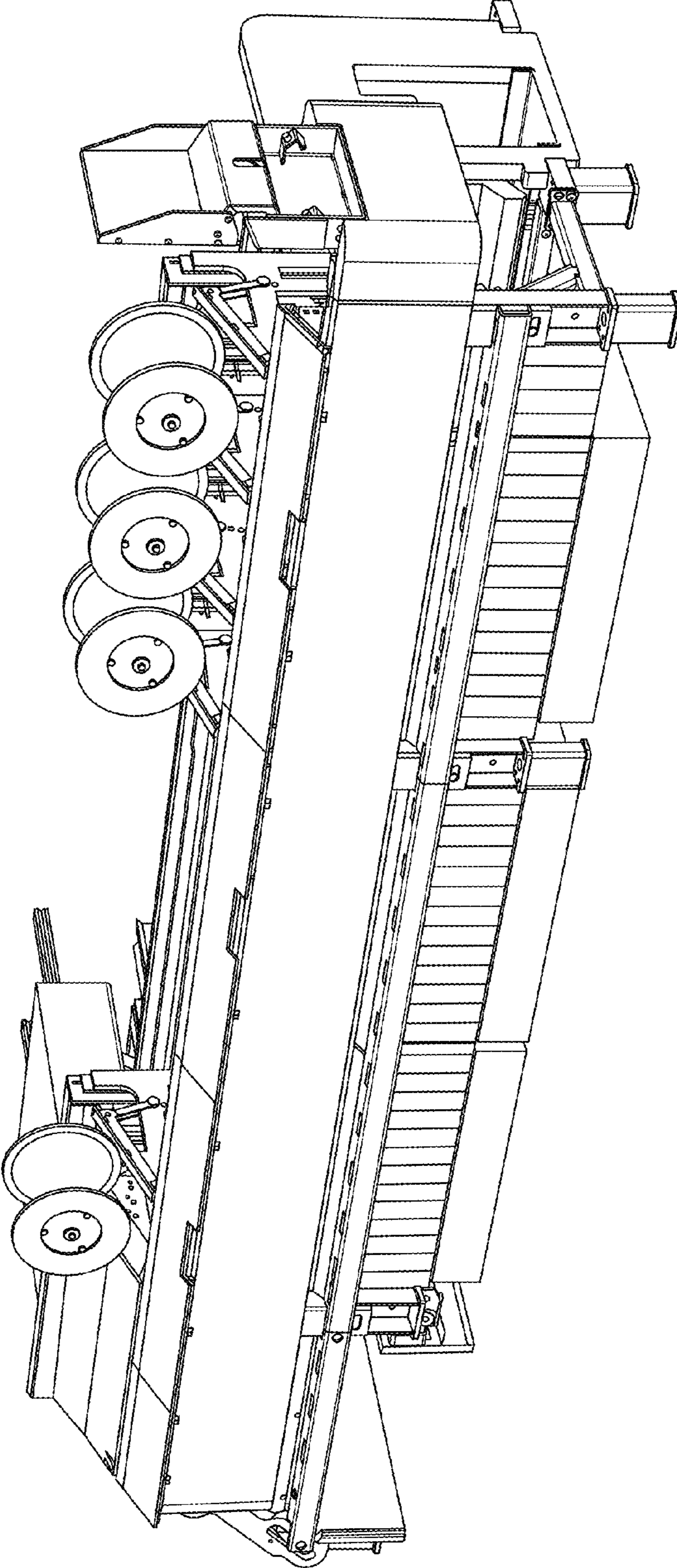


FIG. 1

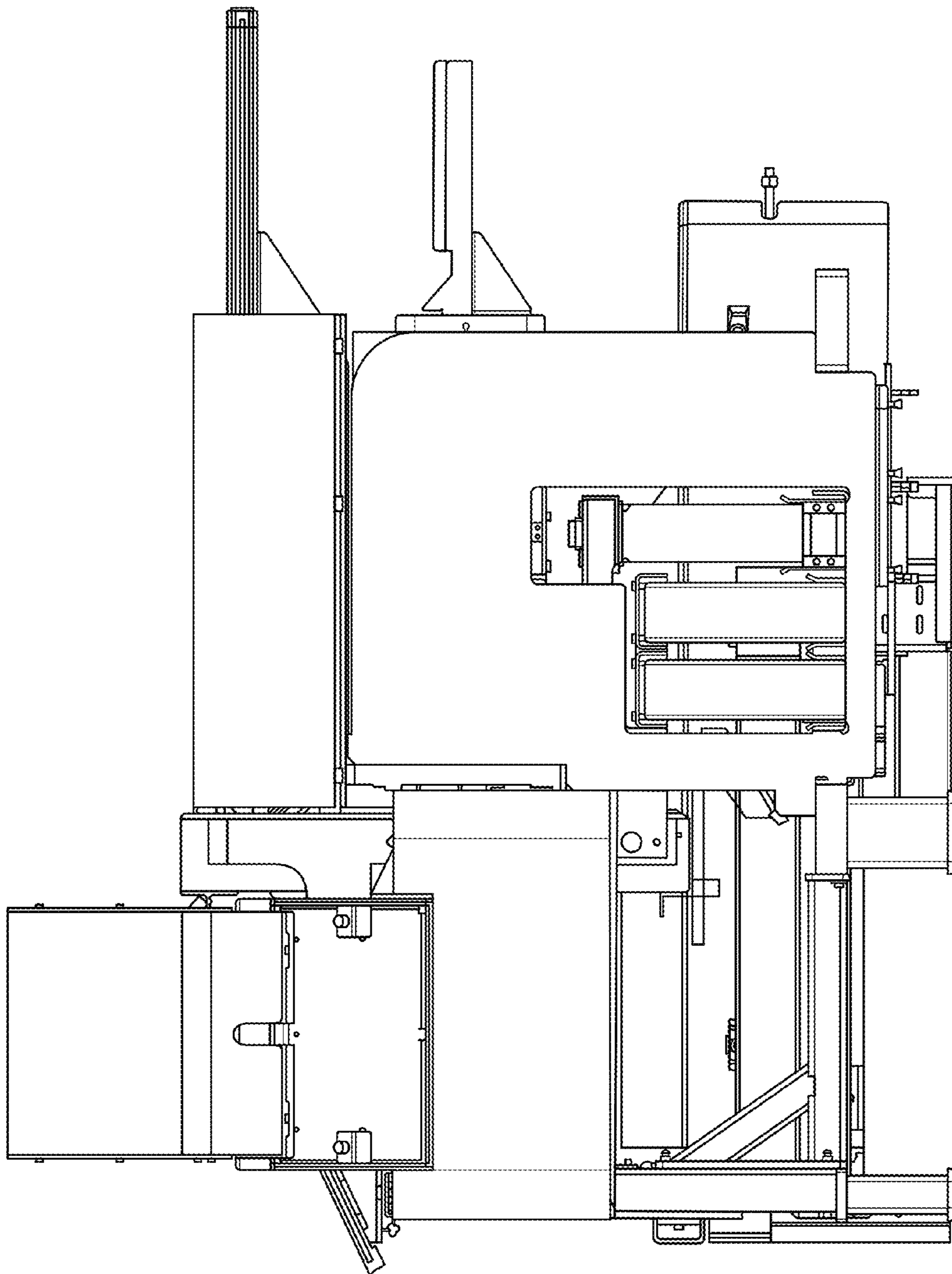


FIG. 2

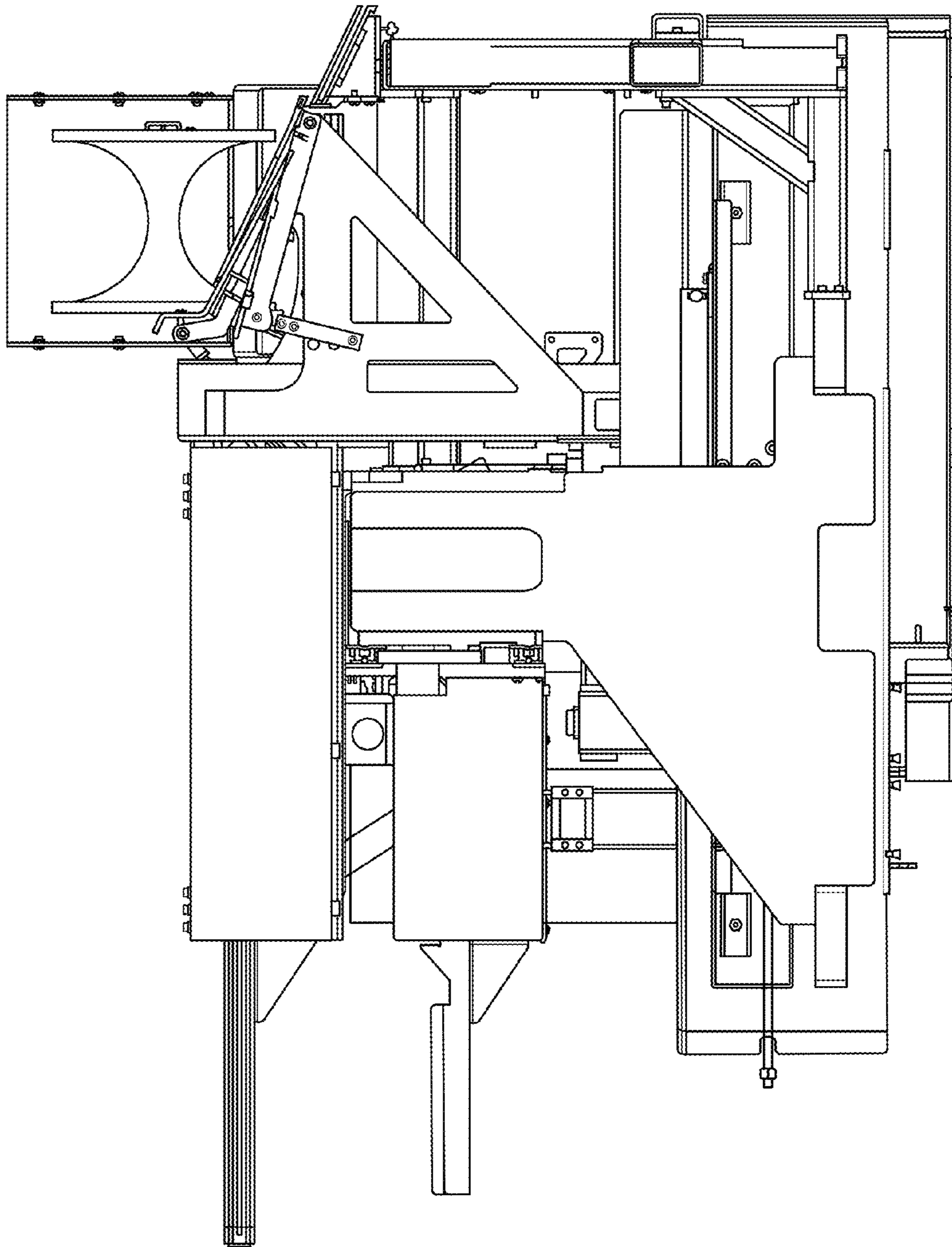


FIG. 3

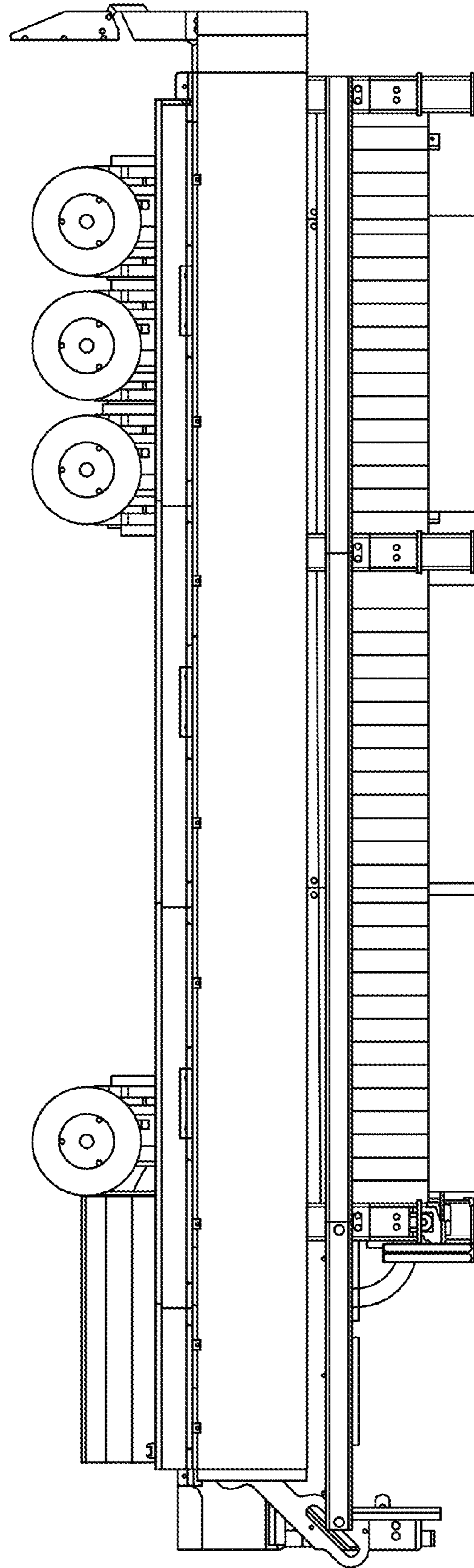


FIG. 4

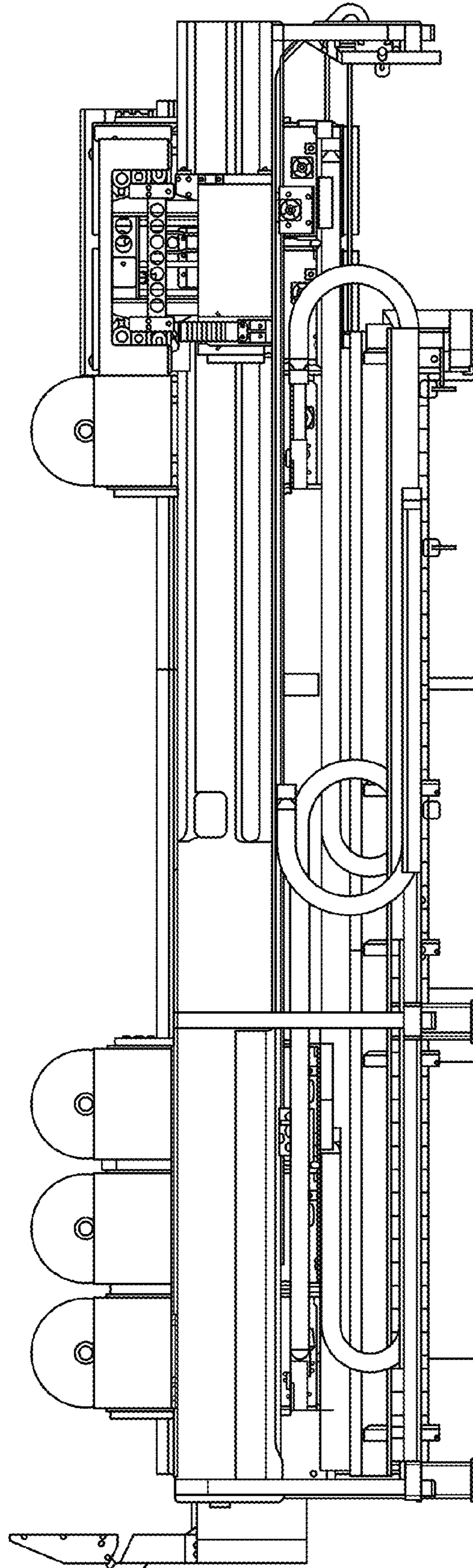


FIG. 5

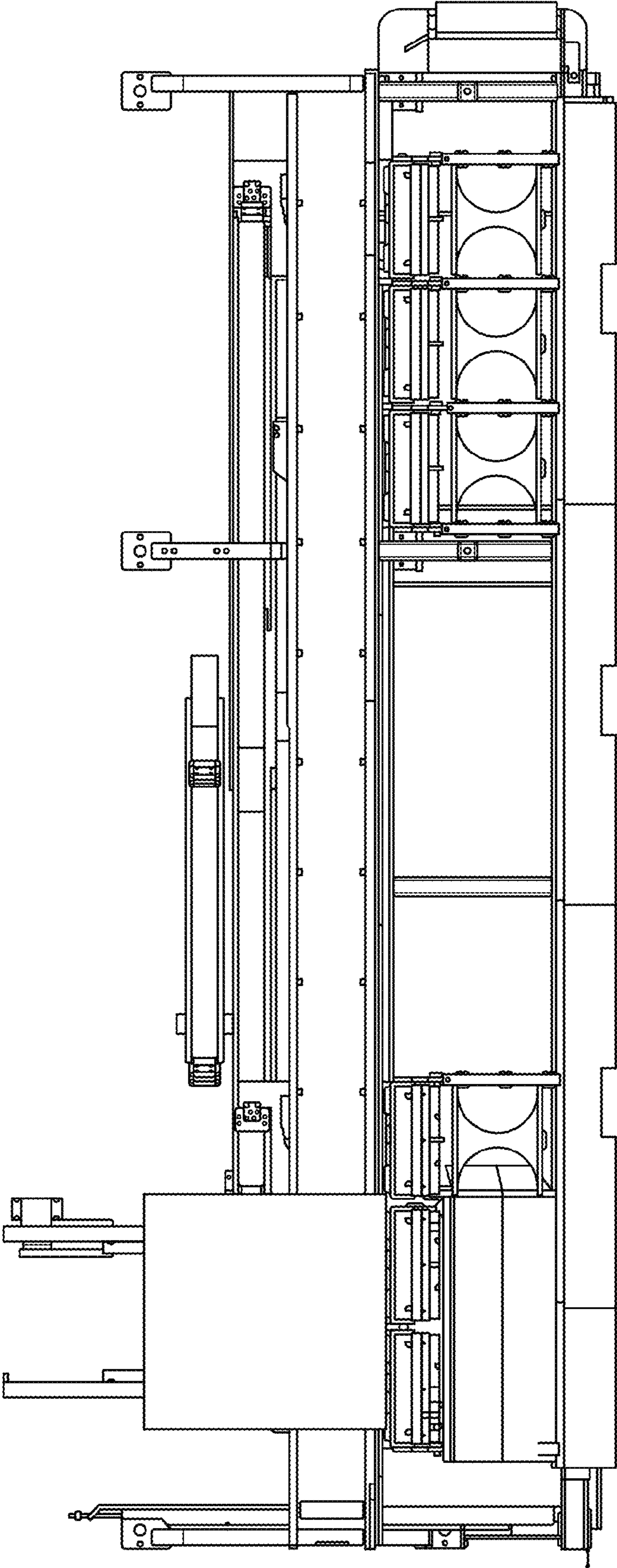


FIG. 6