



US00D703704S

(12) **United States Design Patent**
EunHa

(10) **Patent No.:** **US D703,704 S**
(45) **Date of Patent:** **** Apr. 29, 2014**

(54) **ICE TRAY FOR REFRIGERATOR**

(56) **References Cited**

(71) Applicant: **Samsung Electronics Co., Ltd.**,
Suwon-si (KR)

(72) Inventor: **Choi EunHa**, Yongin-si (KR)

(73) Assignee: **Samsung Electronics Co., Ltd.**,
Suwon-si (KR)

(**) Term: **14 Years**

U.S. PATENT DOCUMENTS

D205,969	S	*	10/1966	Glenview et al.	D15/89
D219,483	S	*	12/1970	Doman et al.	D15/89
4,789,130	A	*	12/1988	Stich et al.	249/120
4,815,691	A	*	3/1989	Cooley	249/120
D307,280	S	*	4/1990	Waller et al.	D15/90
6,488,463	B1	*	12/2002	Harris	414/331.14
7,010,934	B2	*	3/2006	Choi et al.	62/353
D549,745	S	*	8/2007	Coulter et al.	D15/89
D691,182	S	*	10/2013	Chiorazzi et al.	D15/90

* cited by examiner

(21) Appl. No.: **29/445,355**

Primary Examiner — Mitchell Siegel

(22) Filed: **Feb. 11, 2013**

(74) *Attorney, Agent, or Firm* — Ladas & Parry LLP

(30) **Foreign Application Priority Data**

(57) **CLAIM**

I claim the ornamental design for an ice tray for refrigerator, as shown.

Sep. 18, 2012 (KR) 30-2012-0045069

(51) **LOC (10) Cl.** **15-07**

(52) **U.S. Cl.**
USPC **D15/90**

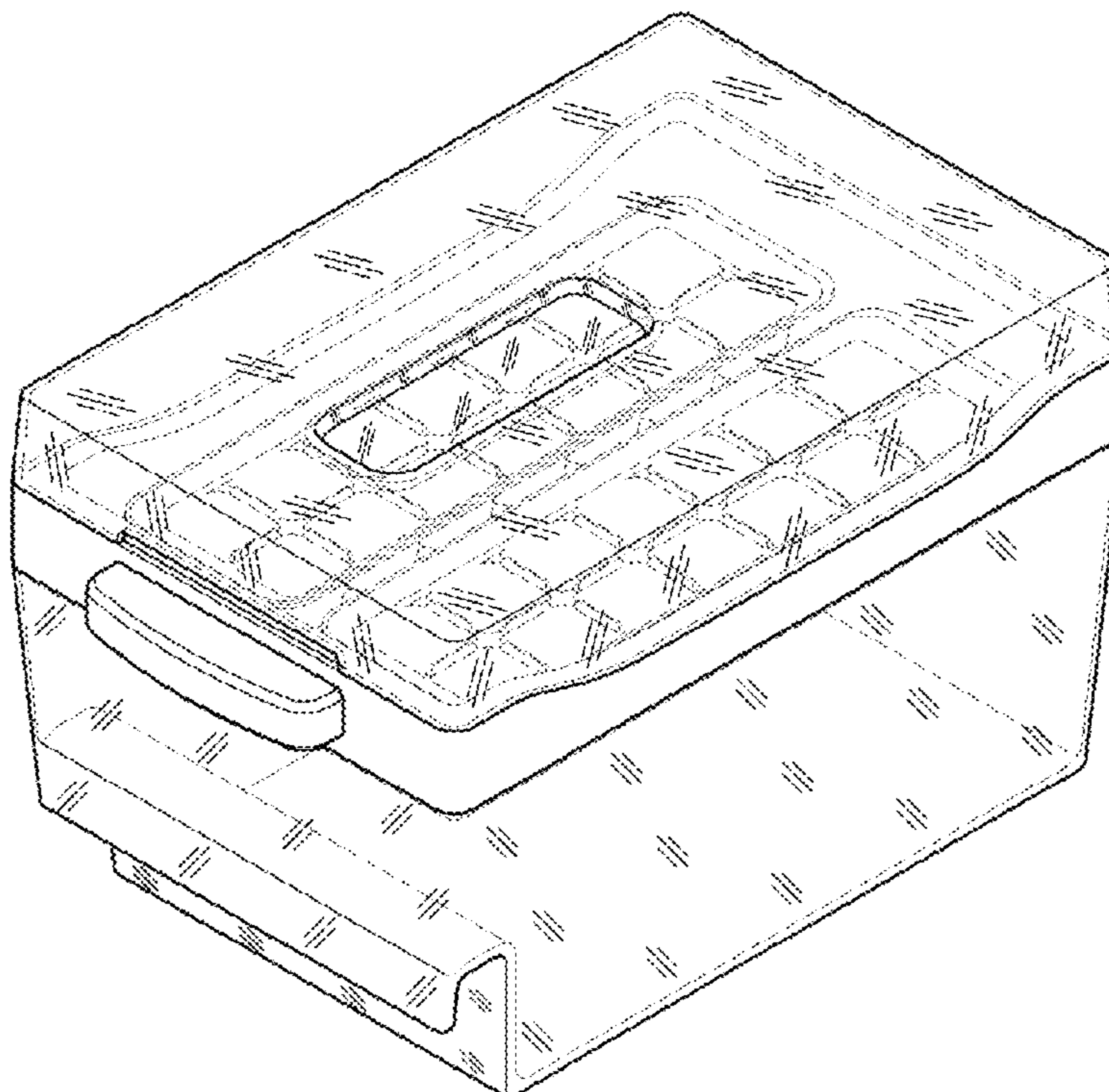
(58) **Field of Classification Search**
USPC D15/79-91; 249/117-121, 139, 157,
249/58-60, 90-93, 126, 127; 62/340-356,
62/459, 463

See application file for complete search history.

DESCRIPTION

FIG. 1 is a front/right-side/top perspective view of an ice tray for refrigerator showing our new design; FIG. 2 is a front-side elevational view thereof; FIG. 3 is a rear-side elevational view thereof; FIG. 4 is a left-side elevational view thereof; FIG. 5 is a right-side elevational view thereof; FIG. 6 is a top-side elevational view thereof; and, FIG. 7 is a bottom-side elevational view thereof.

1 Claim, 5 Drawing Sheets



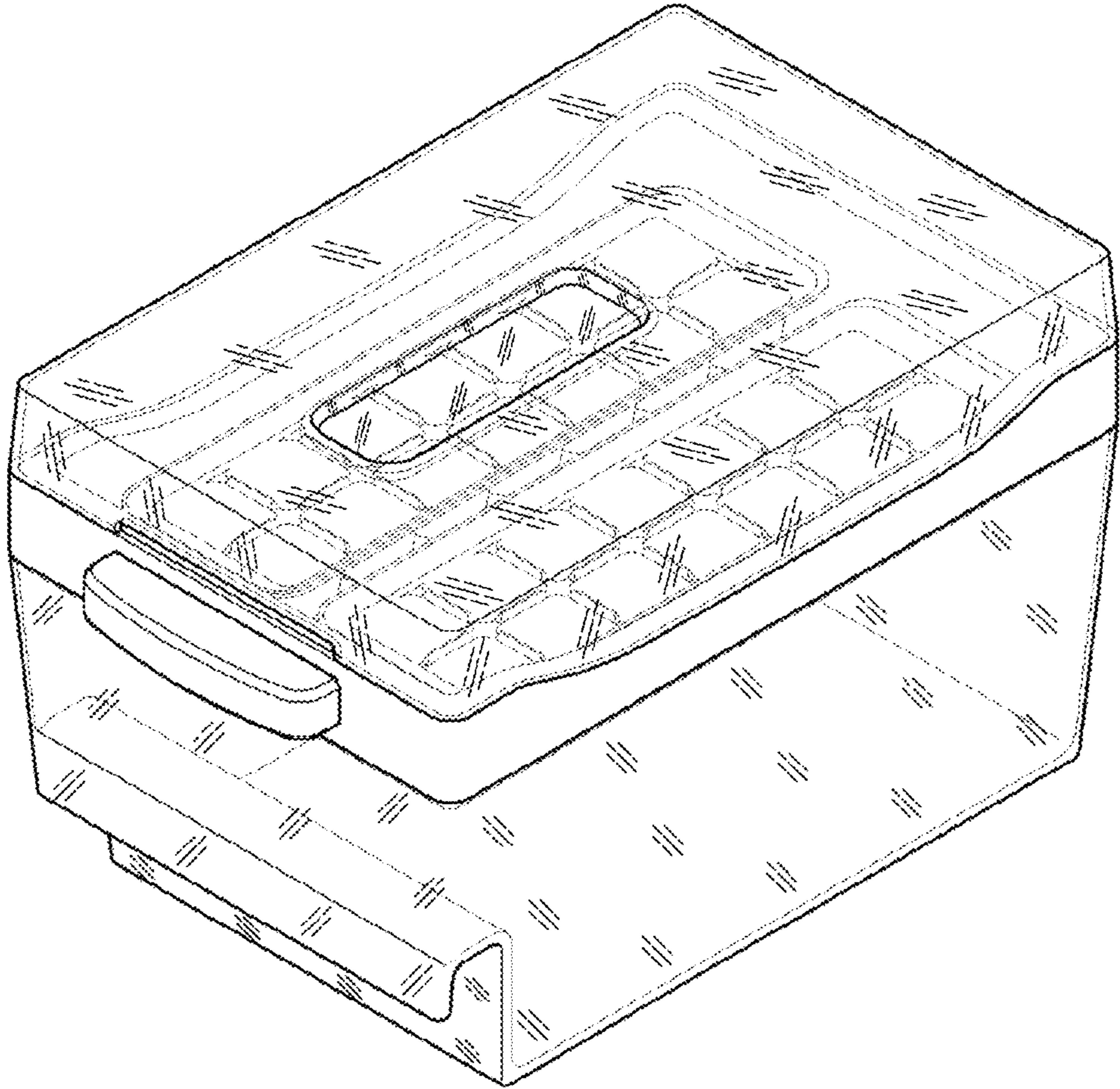


FIG. 1

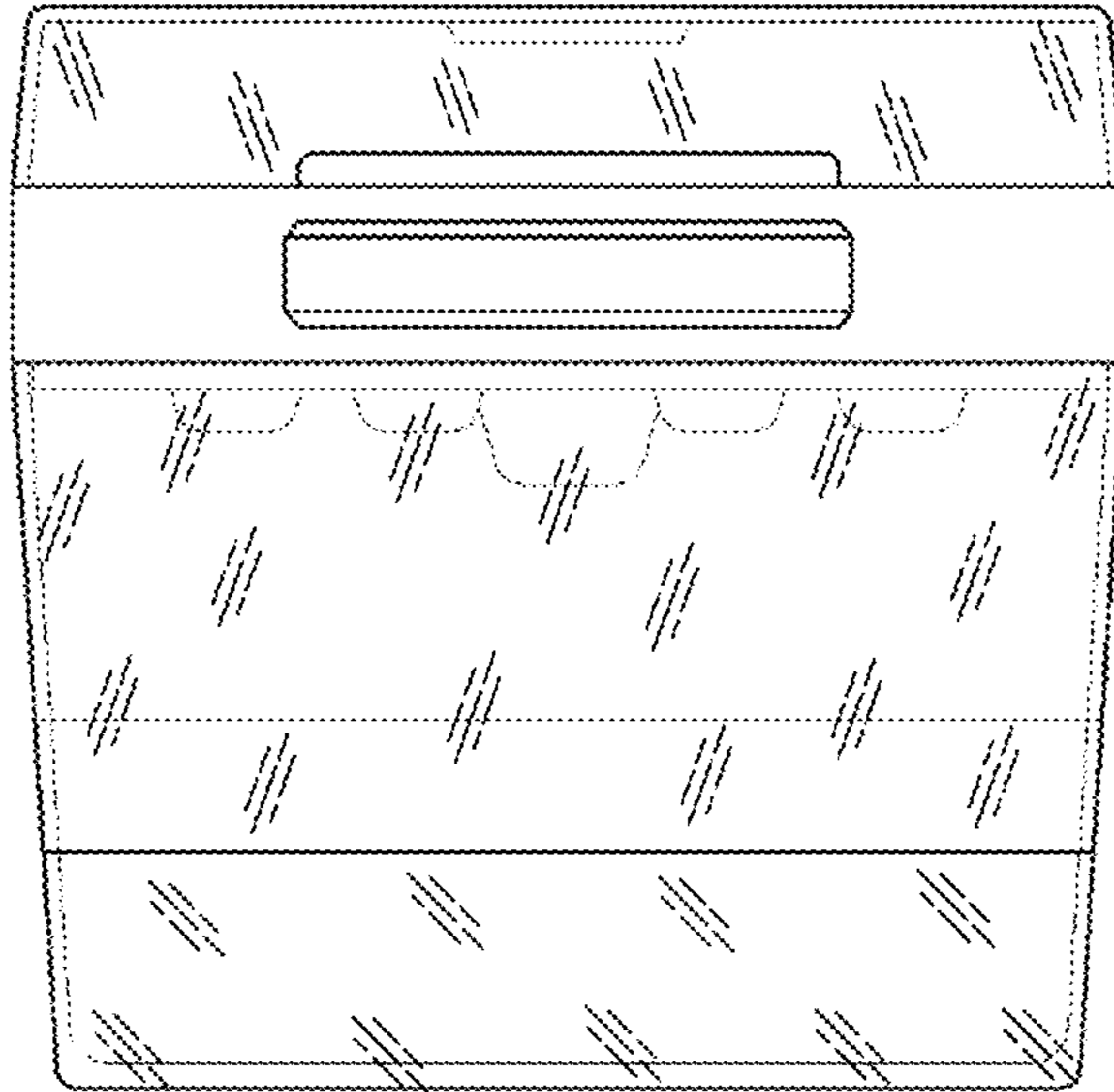


FIG. 2

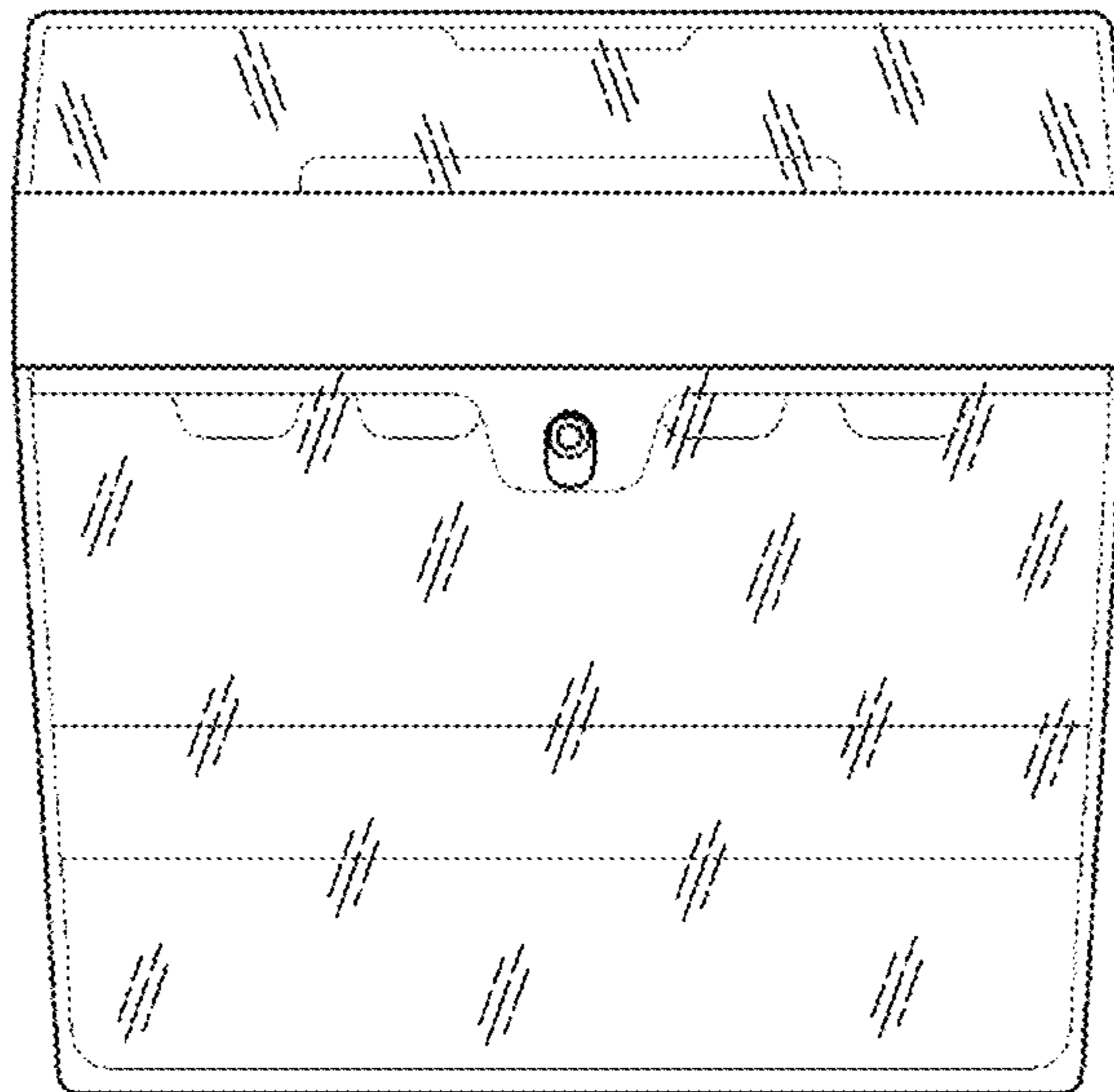


FIG. 3

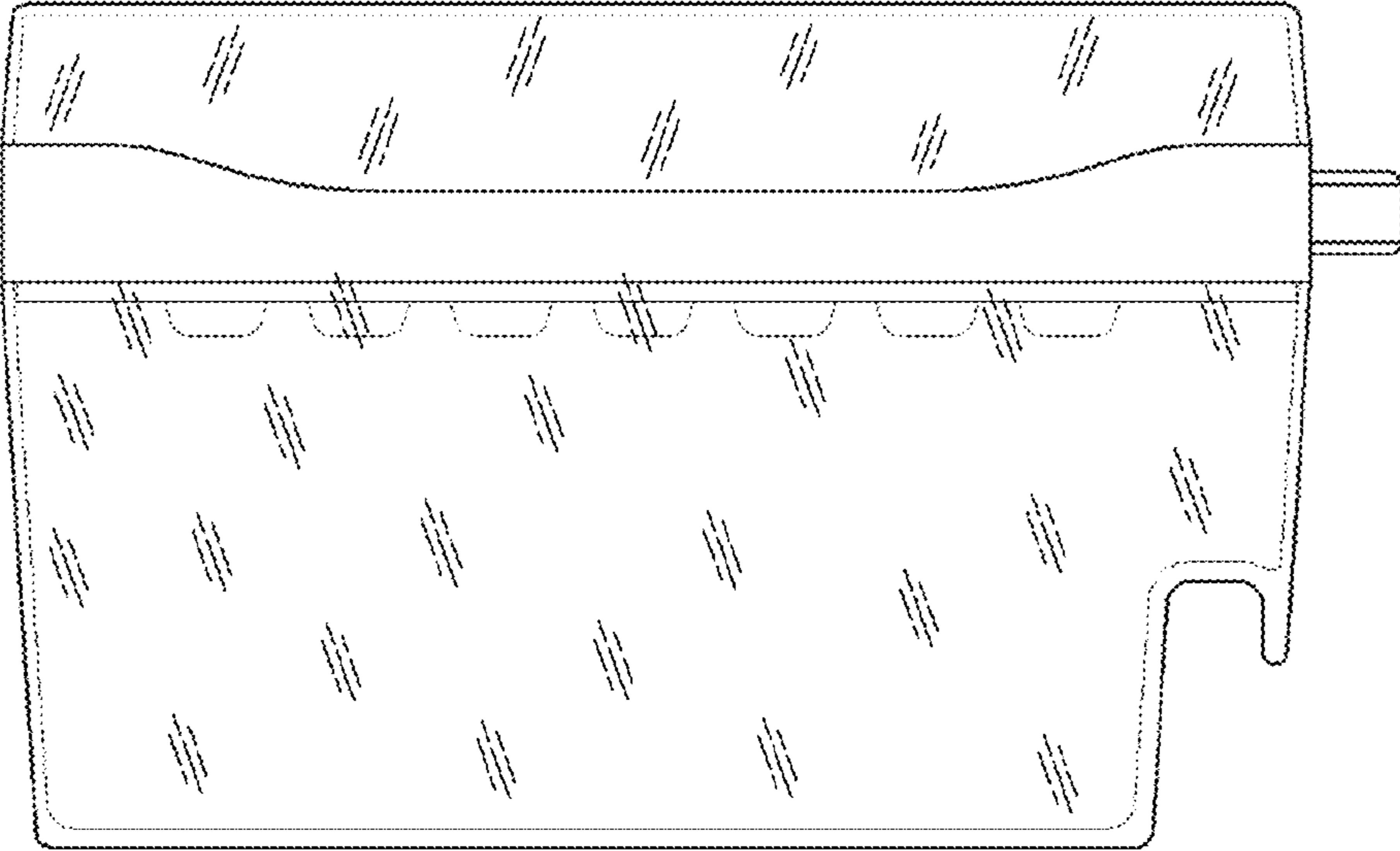


FIG. 4

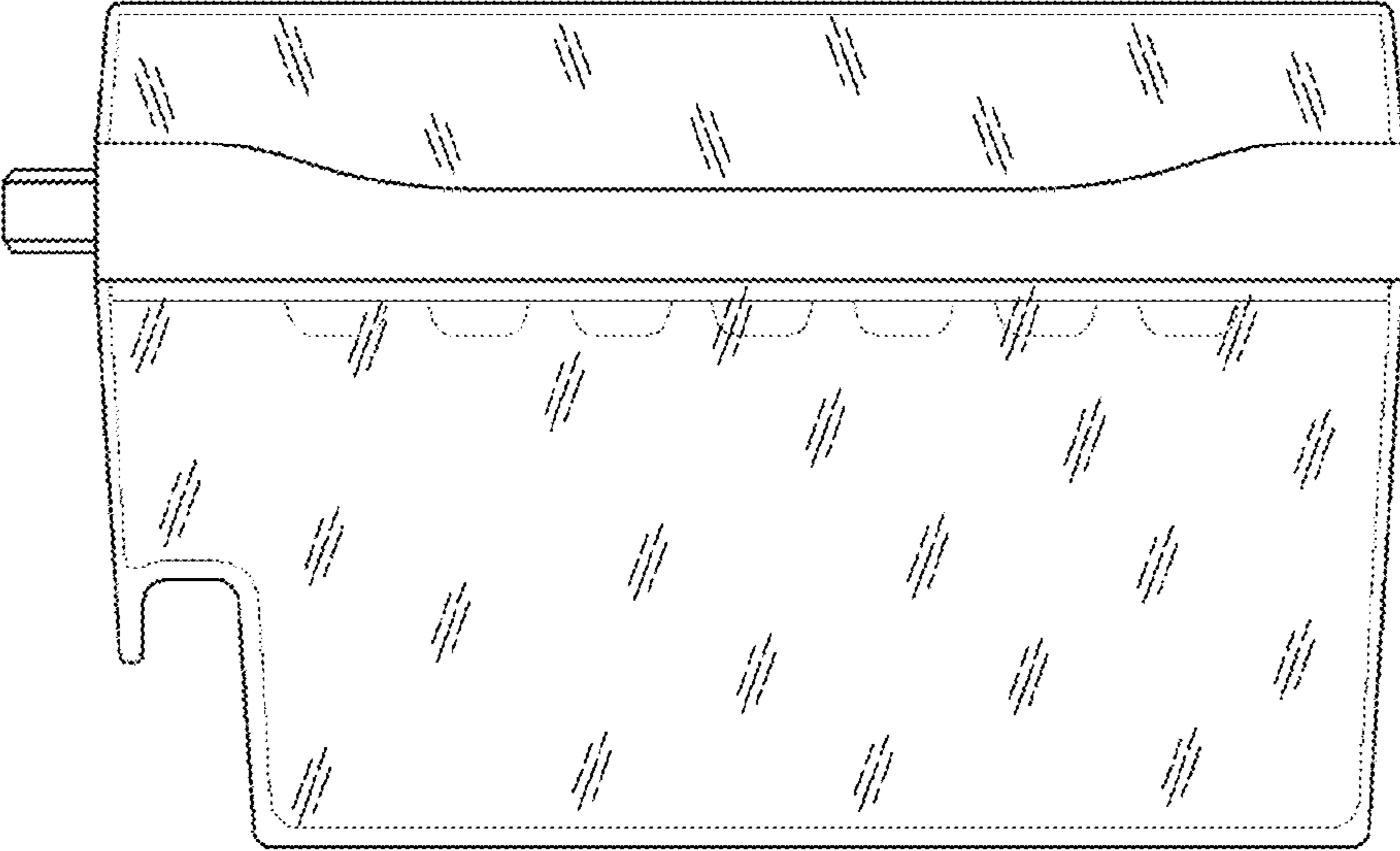


FIG. 5

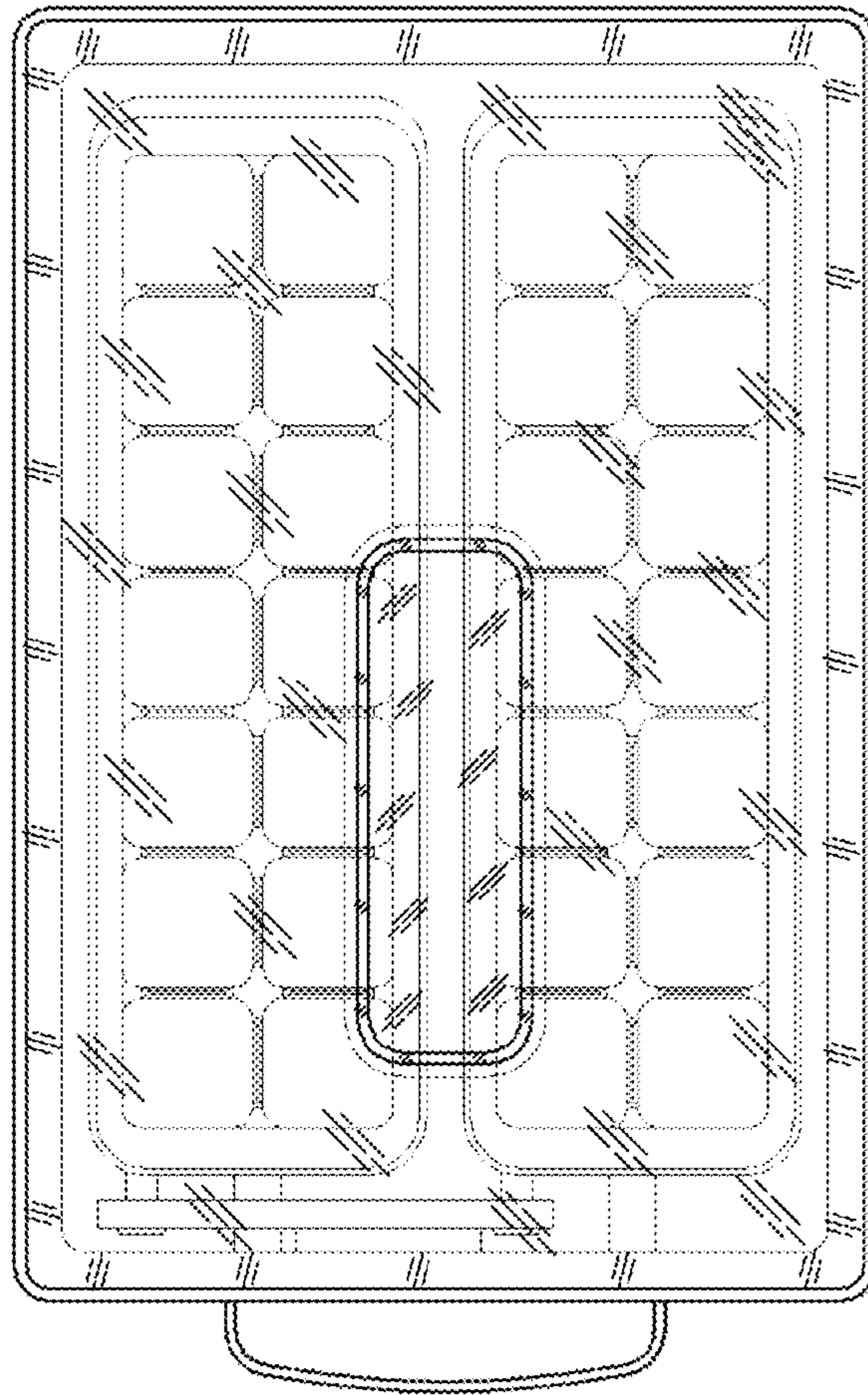


FIG. 6

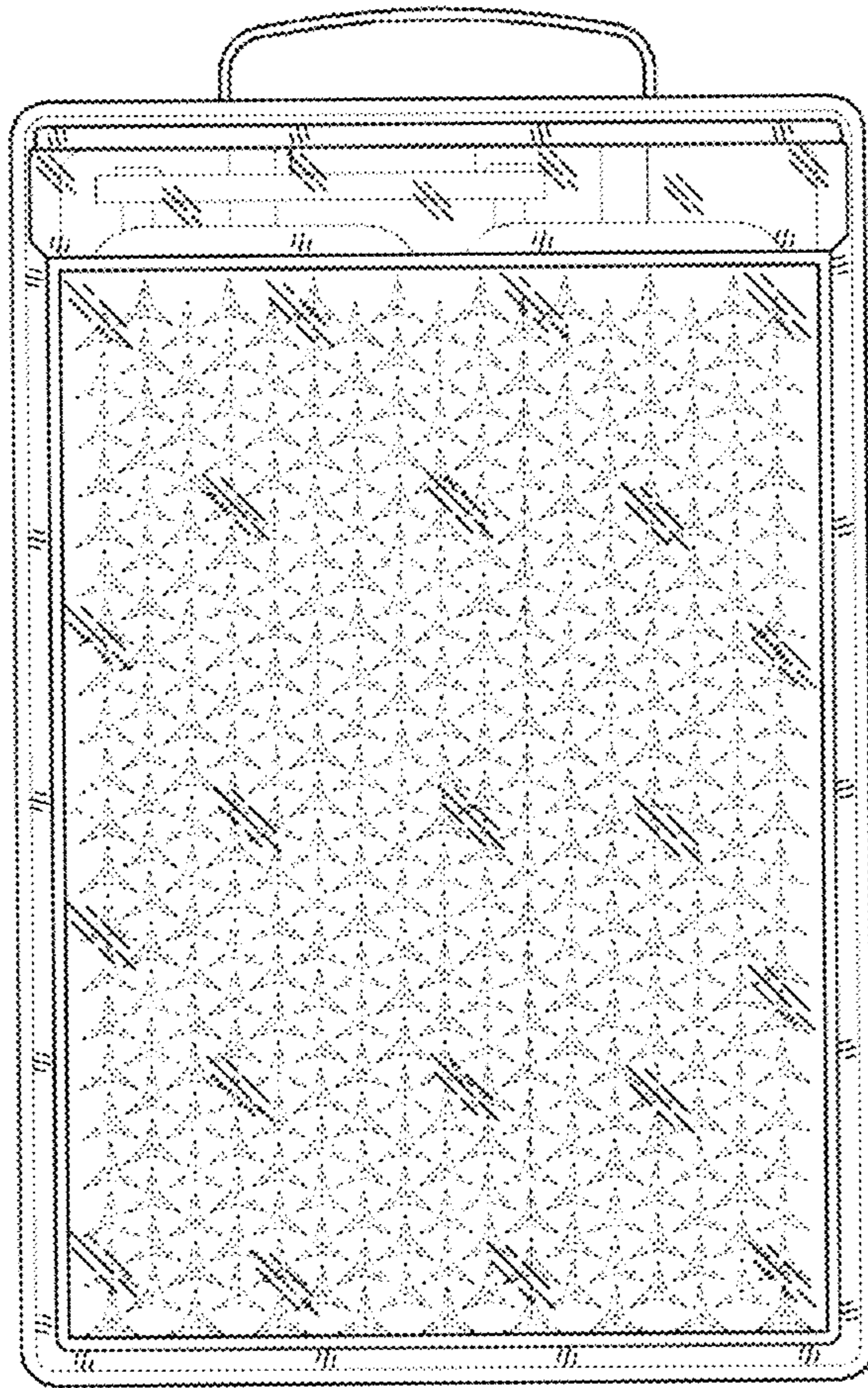


FIG. 7