



US00D703699S

(12) **United States Design Patent**
Shimomura et al.

(10) **Patent No.:** **US D703,699 S**
(45) **Date of Patent:** **** Apr. 29, 2014**

(54) **TRACTOR**

(71) Applicant: **Kubota Corporation**, Osaka (JP)

(72) Inventors: **Takashi Shimomura**, Sakai (JP); **Junta Kuwae**, Sakai (JP); **Hisashi Tsukatani**, Sakai (JP)

(73) Assignee: **Kubota Corporation**, Osaka (JP)

(**) Term: **14 Years**

(21) Appl. No.: **29/444,373**

(22) Filed: **Jan. 30, 2013**

(30) **Foreign Application Priority Data**

Jul. 31, 2012 (JP) 2012-018235

(51) **LOC (10) Cl.** **12-09**

(52) **U.S. Cl.**
USPC **D15/23**

(58) **Field of Classification Search**
USPC D15/10, 14-17, 22-26, 28, 30, 31;
D12/173; 56/13.4, 13.3, 15.8, 15.9,
56/16.1, 16.7, 175, 202, 320.1; 180/89.1,
180/89.12, 900, 69.2, 68.1, 69.1
See application file for complete search history.

(56) **References Cited**

U.S. PATENT DOCUMENTS

D247,624 S * 3/1978 Emundts et al. D15/23
D256,017 S * 7/1980 Emundts et al. D15/23

D274,524 S * 7/1984 Koval et al. D15/23
D355,423 S * 2/1995 Woods et al. D15/23
D498,245 S * 11/2004 Kuwae et al. D15/23
D519,130 S * 4/2006 Higashikawa et al. D15/23
D527,026 S * 8/2006 Kuwae et al. D15/23
D555,674 S * 11/2007 Kuwae D15/23
D564,544 S * 3/2008 Higashikawa et al. D15/23
D602,047 S * 10/2009 Kushita et al. D15/23
D613,776 S * 4/2010 Bianco et al. D15/33
D613,777 S * 4/2010 Bianco et al. D15/33
D641,027 S * 7/2011 Kawashiri et al. D15/23

* cited by examiner

Primary Examiner — Mark Goodwin

(74) *Attorney, Agent, or Firm* — The Webb Law Firm

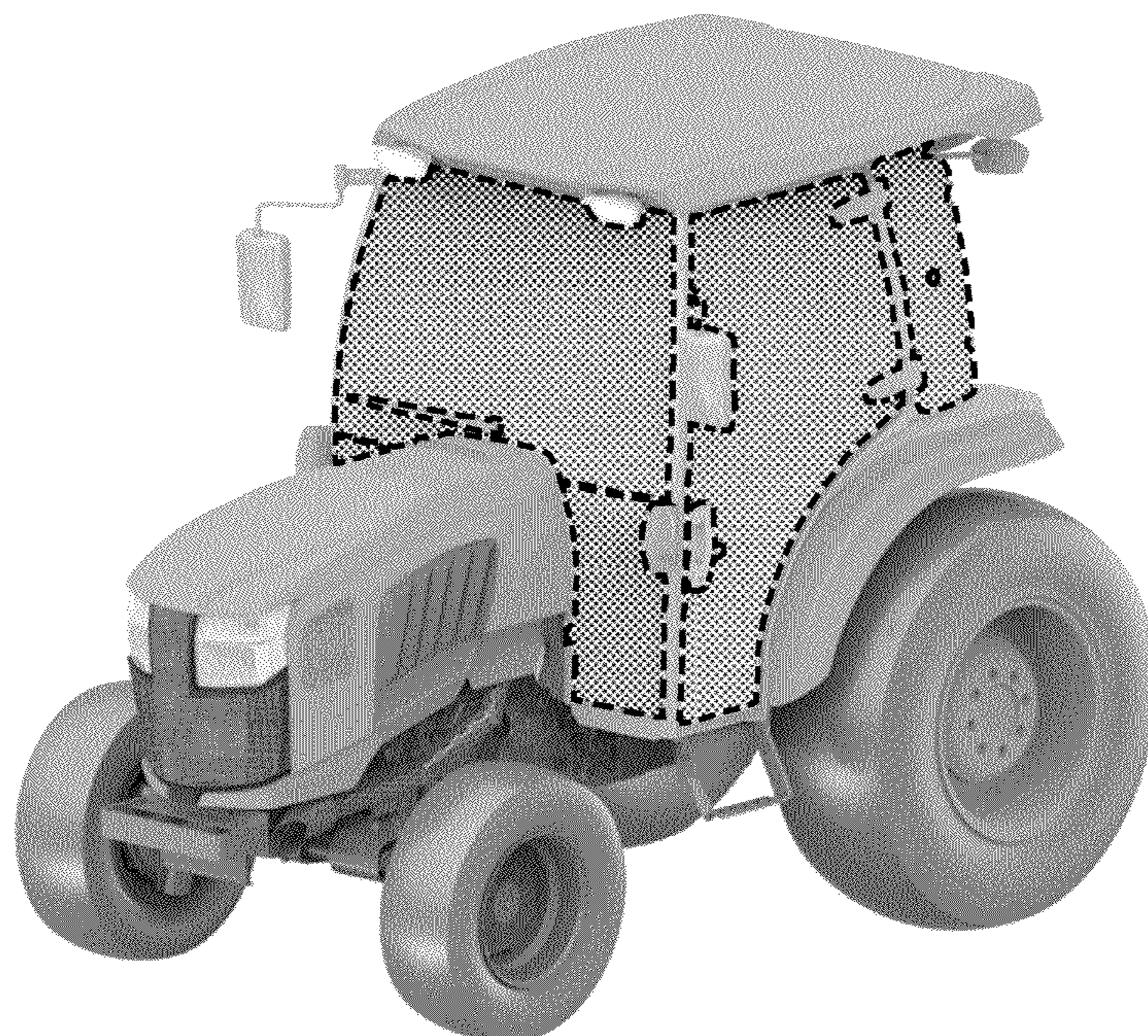
(57) **CLAIM**

The ornamental design for a tractor, as shown and described.

DESCRIPTION

FIG. 1 is a right side view of a tractor showing our new design; FIG. 2 is a left side view thereof; FIG. 3 is a front view thereof; FIG. 4 is a rear view thereof; FIG. 5 is a top view thereof; FIG. 6 is an upper right front perspective view thereof; and, FIG. 7 is an upper right rear perspective view thereof. The portions of FIGS. 1-7 shown in coarse dot pattern and outlined in dashed lines form no part of the claimed design. A bottom view is omitted because it is plain and unornamental and forms no part of the subject matter of the claimed design.

1 Claim, 7 Drawing Sheets



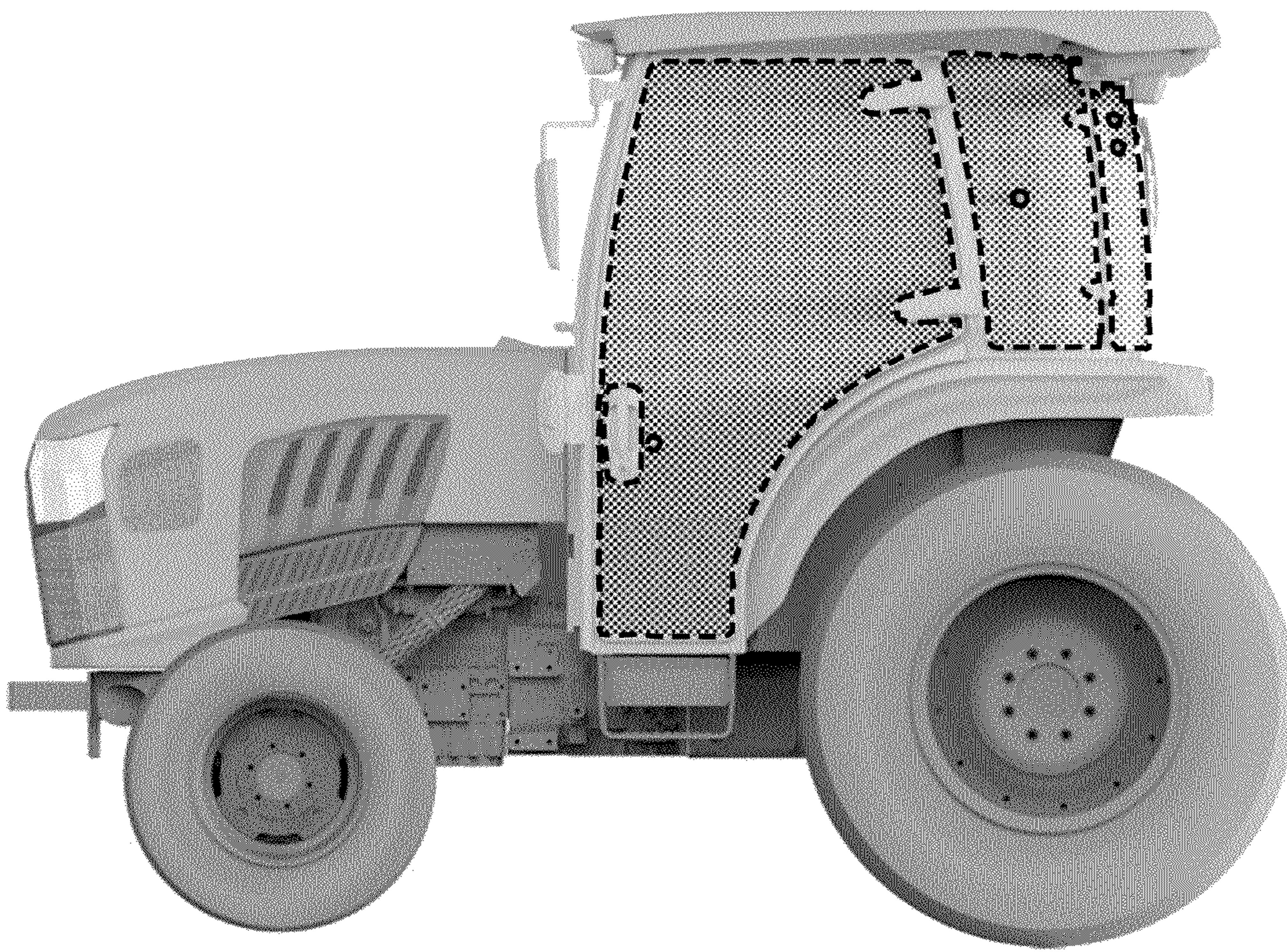


FIG. 1

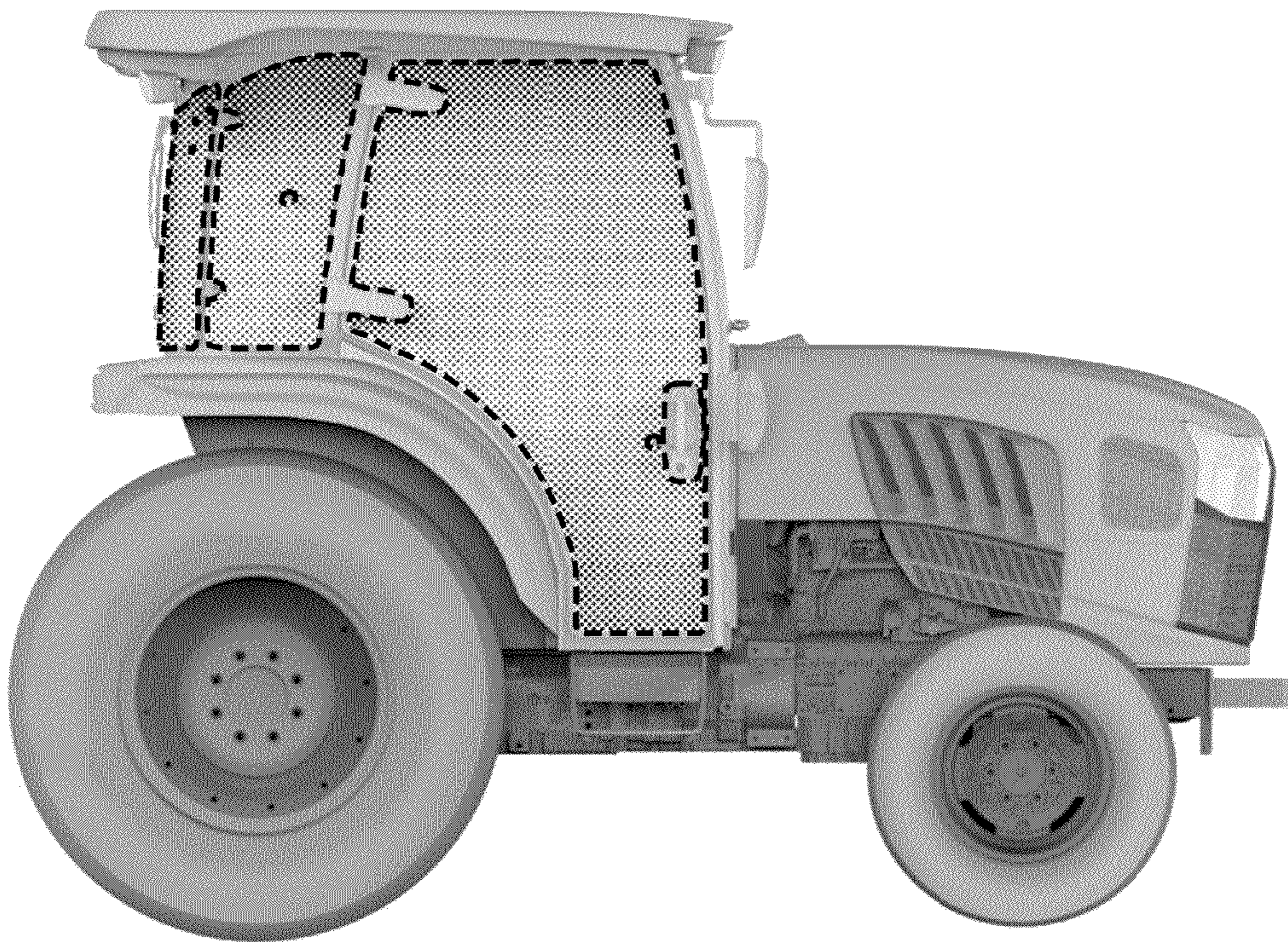


FIG. 2

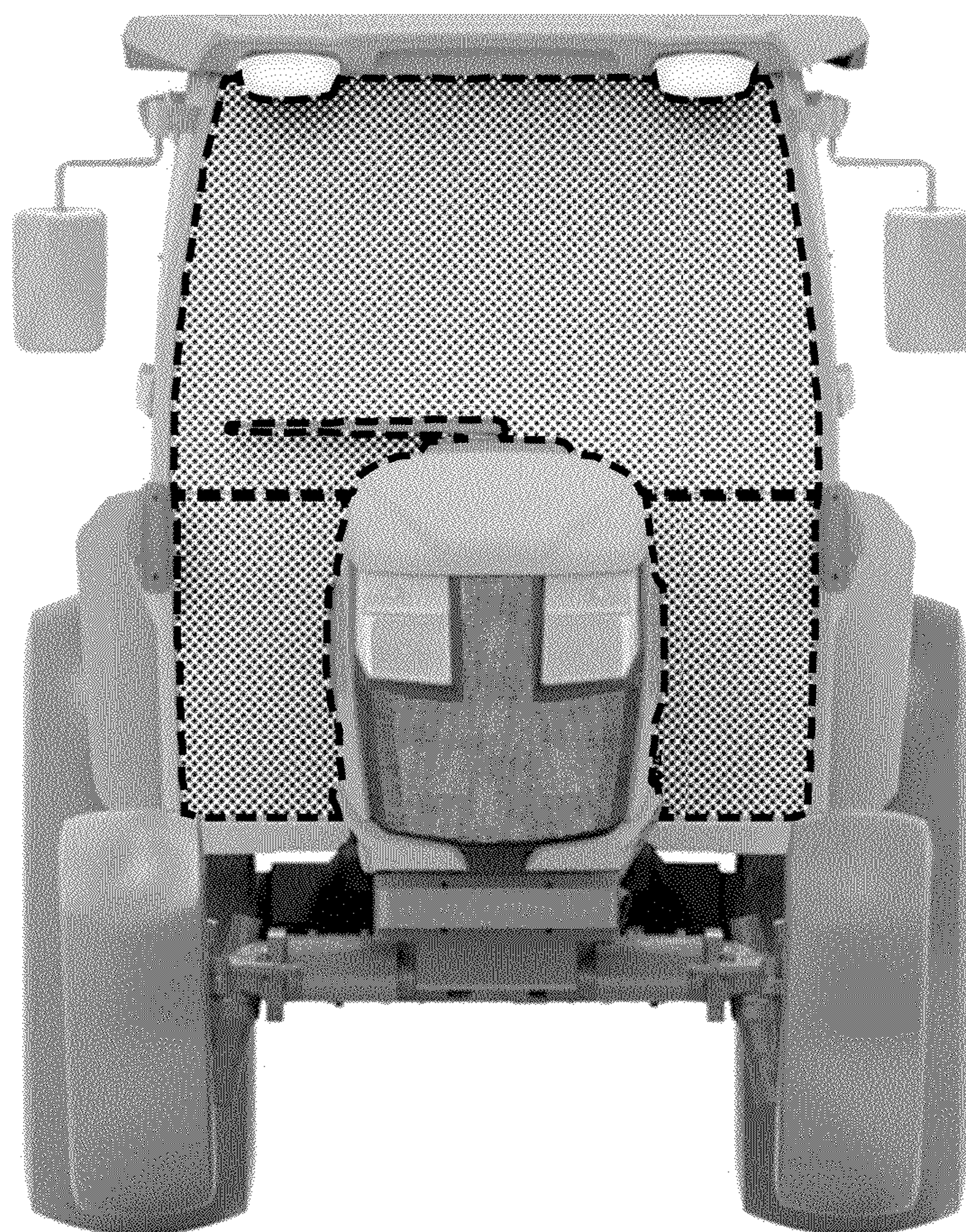


FIG. 3

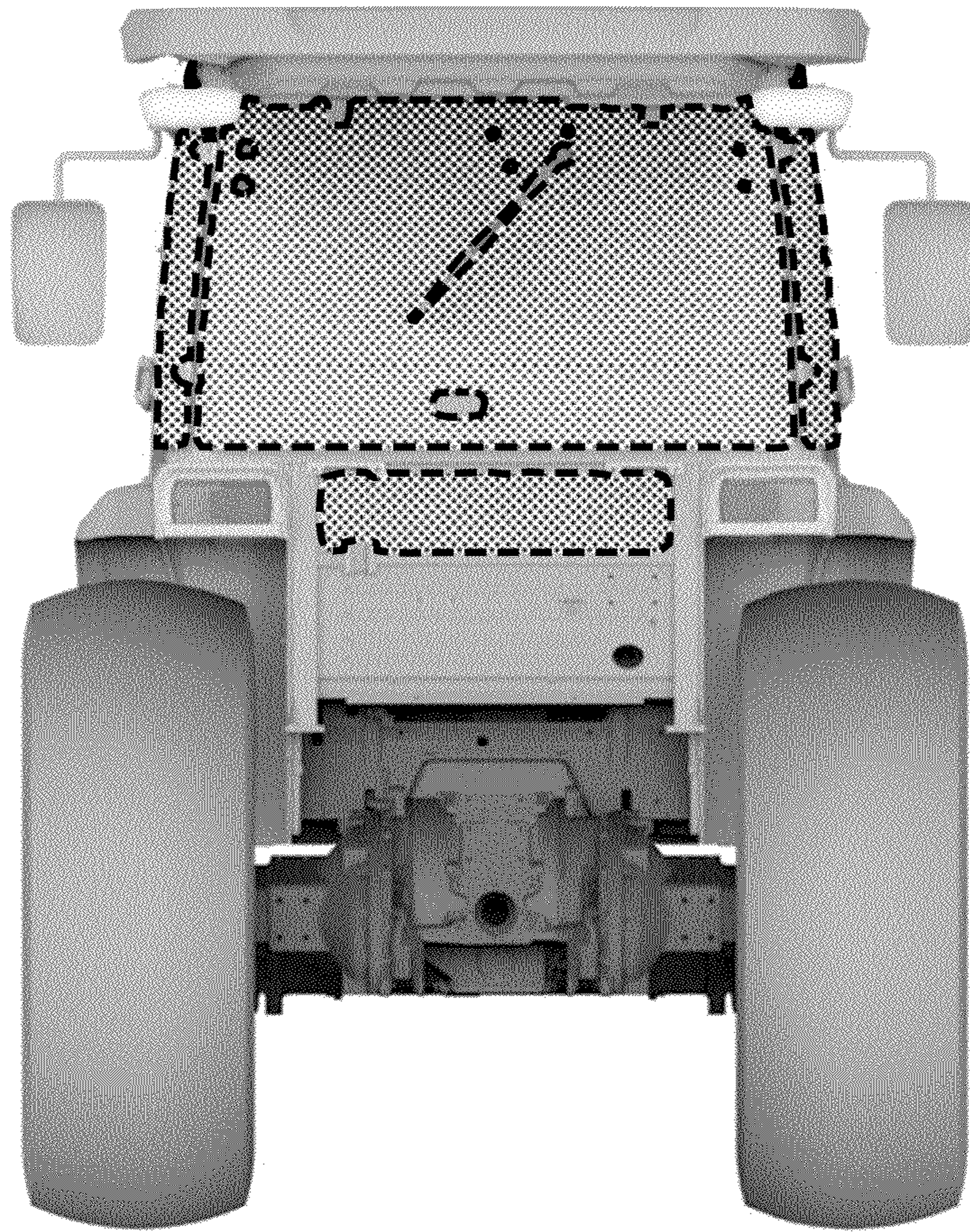


FIG. 4

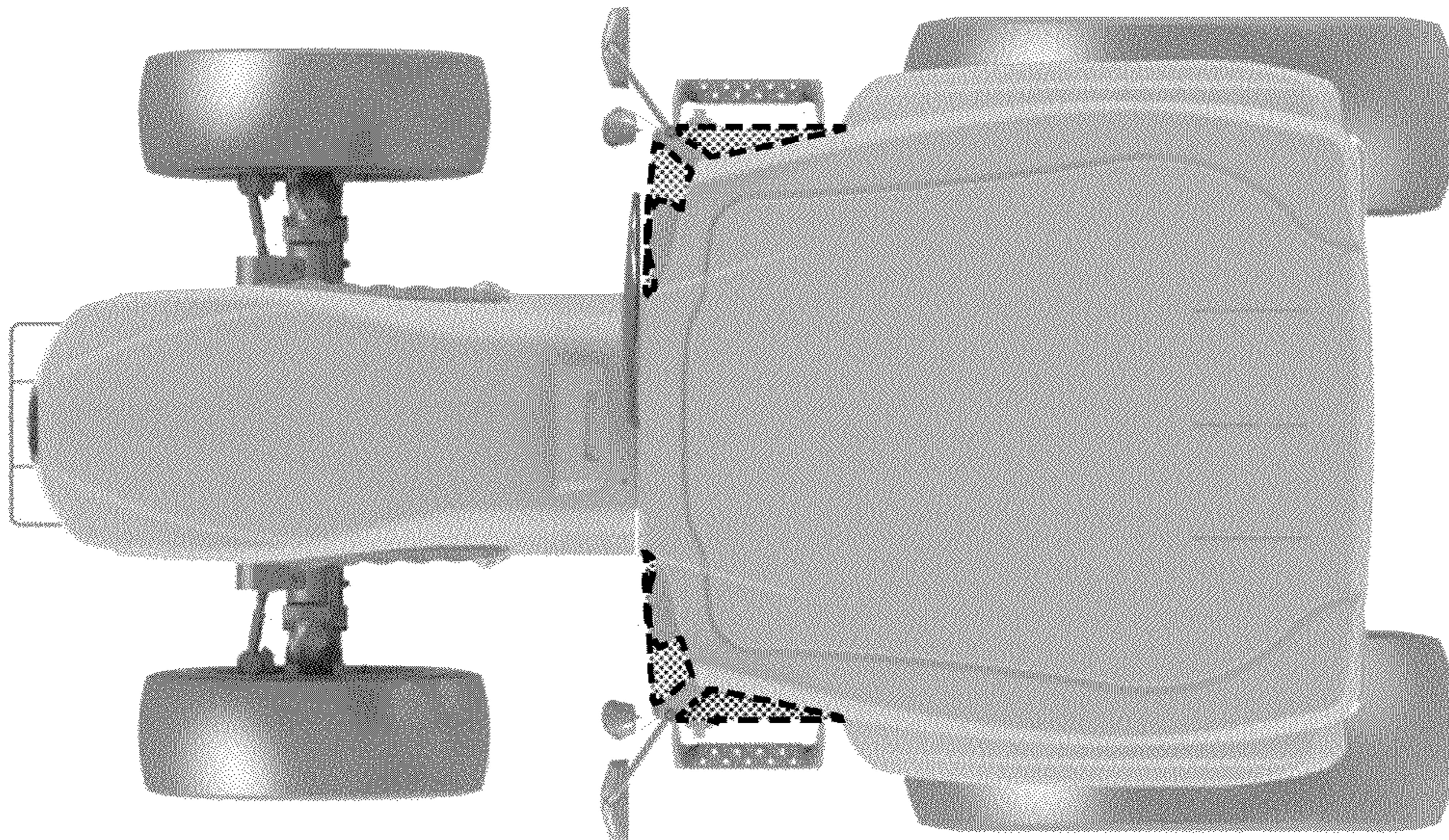


FIG. 5

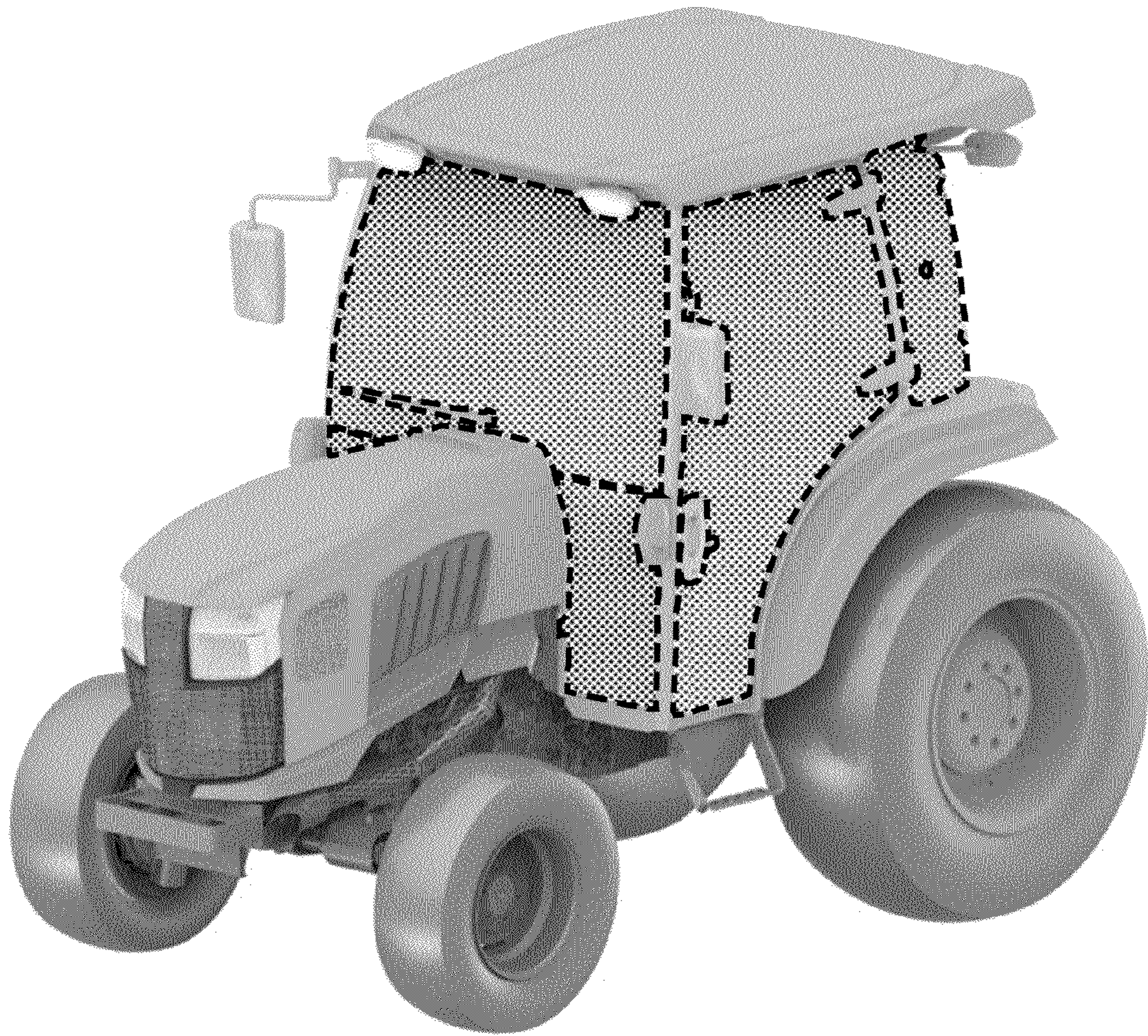


FIG. 6

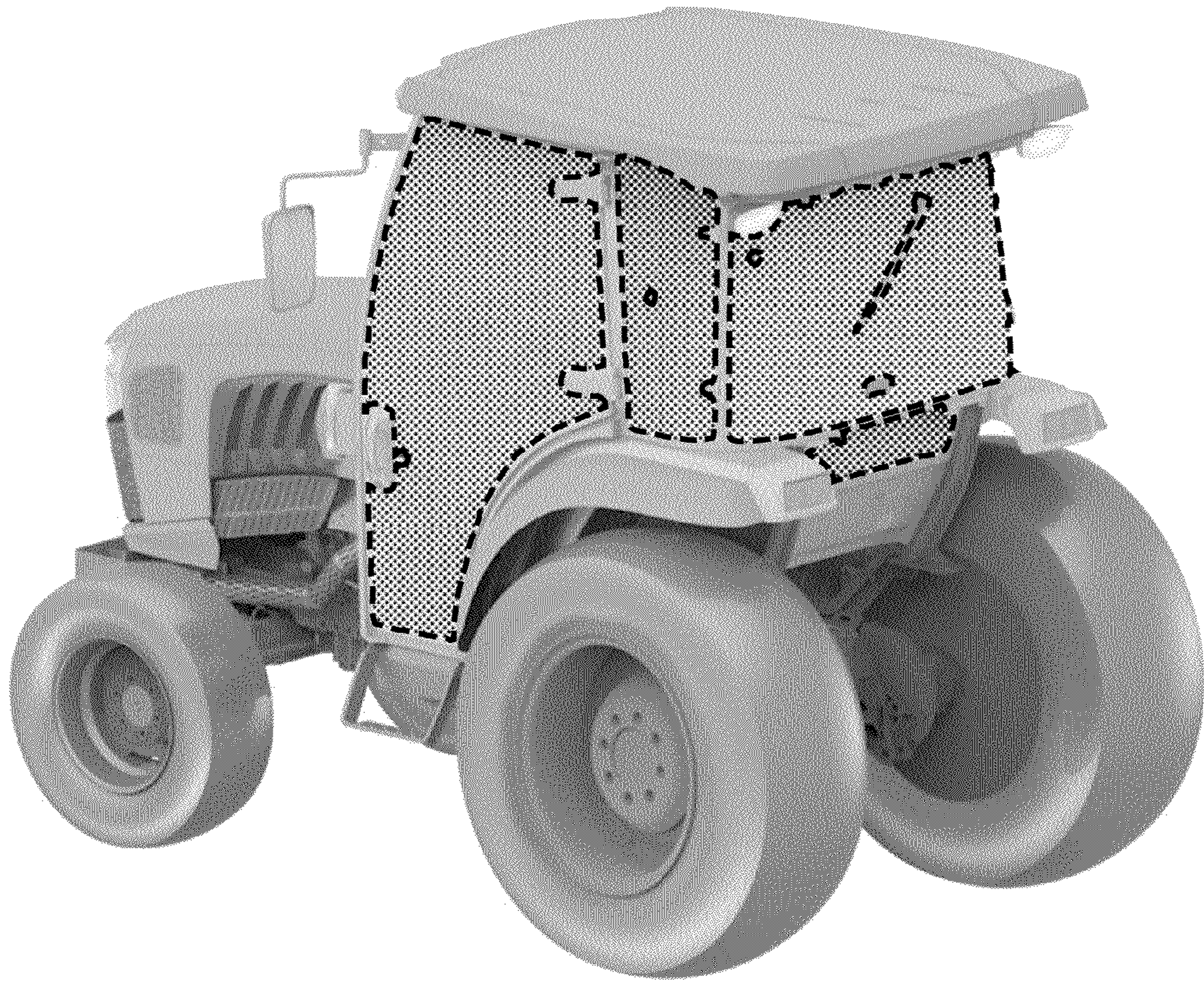


FIG. 7