



US00D703698S

(12) **United States Design Patent**
Frazier

(10) **Patent No.:** **US D703,698 S**

(45) **Date of Patent:** **** Apr. 29, 2014**

(54) **LOWER SET INSERT WITH A LOWER BALL SEAT FOR A DOWNHOLE PLUG**

(71) Applicant: **W. Lynn Frazier**, Corpus Christi, TX (US)

(72) Inventor: **W. Lynn Frazier**, Corpus Christi, TX (US)

(**) Term: **14 Years**

(21) Appl. No.: **29/469,576**

(22) Filed: **Oct. 11, 2013**

Related U.S. Application Data

(63) Continuation of application No. 29/398,398, filed on Jul. 29, 2011, now Pat. No. Des. 694,281.

(51) **LOC (10) Cl.** **15-03**

(52) **U.S. Cl.**
USPC **D15/21**

(58) **Field of Classification Search**
USPC D15/21, 28, 138, 139, 140; D8/70, 71; 417/448, 453, 456, 459, 460; 166/123, 166/124, 135, 138, 193, 118, 133, 134, 170, 166/173, 206, 244.1, 316, 318, 332.1, 336, 166/373, 375, 376, 381, 386, 387; 175/317; 294/86.3; 340/854.4, 853.1

See application file for complete search history.

(56) **References Cited**

U.S. PATENT DOCUMENTS

1,736,486	A *	11/1929	Carnahan	417/569
D194,437	S *	1/1963	Salter	D15/21
3,507,327	A *	4/1970	Chenoweth	166/134
5,392,856	A *	2/1995	Broussard et al.	166/285
D408,830	S *	4/1999	Nathenson et al.	D15/21
D413,126	S *	8/1999	Warren et al.	D15/21
5,988,277	A *	11/1999	Vick et al.	166/123
D420,013	S *	2/2000	Warren et al.	D15/21

6,082,451	A *	7/2000	Giroux et al.	166/72
6,196,323	B1 *	3/2001	Møksvold	166/368
6,685,451	B1 *	2/2004	Ivey	417/555.2
6,708,768	B2 *	3/2004	Slup et al.	166/382
6,755,628	B1 *	6/2004	Howell	417/448
7,163,066	B2 *	1/2007	Lehr	166/386
7,237,615	B2 *	7/2007	Dallas et al.	166/379
7,278,490	B2 *	10/2007	McGuire et al.	166/379
D585,916	S *	2/2009	Greenleaf	D15/128
D597,571	S *	8/2009	Darr	D15/139
7,775,291	B2 *	8/2010	Jacob	166/386
8,061,381	B2 *	11/2011	Ford	137/515.7
8,128,383	B2 *	3/2012	Pulliam	417/448
D672,794	S *	12/2012	Frazier	D15/139
8,459,346	B2 *	6/2013	Frazier	166/124
2007/0151722	A1 *	7/2007	Lehr et al.	166/123
2008/0271898	A1 *	11/2008	Turley et al.	166/382
2010/0263857	A1 *	10/2010	Frazier	166/127
2011/0067889	A1 *	3/2011	Marya et al.	166/386
2011/0277989	A1 *	11/2011	Frazier	166/193
2011/0290473	A1 *	12/2011	Frazier	166/135
2012/0006532	A1 *	1/2012	Frazier	166/196

* cited by examiner

Primary Examiner — Mark Goodwin

(74) *Attorney, Agent, or Firm* — Edmonds & Nolte, P.C.

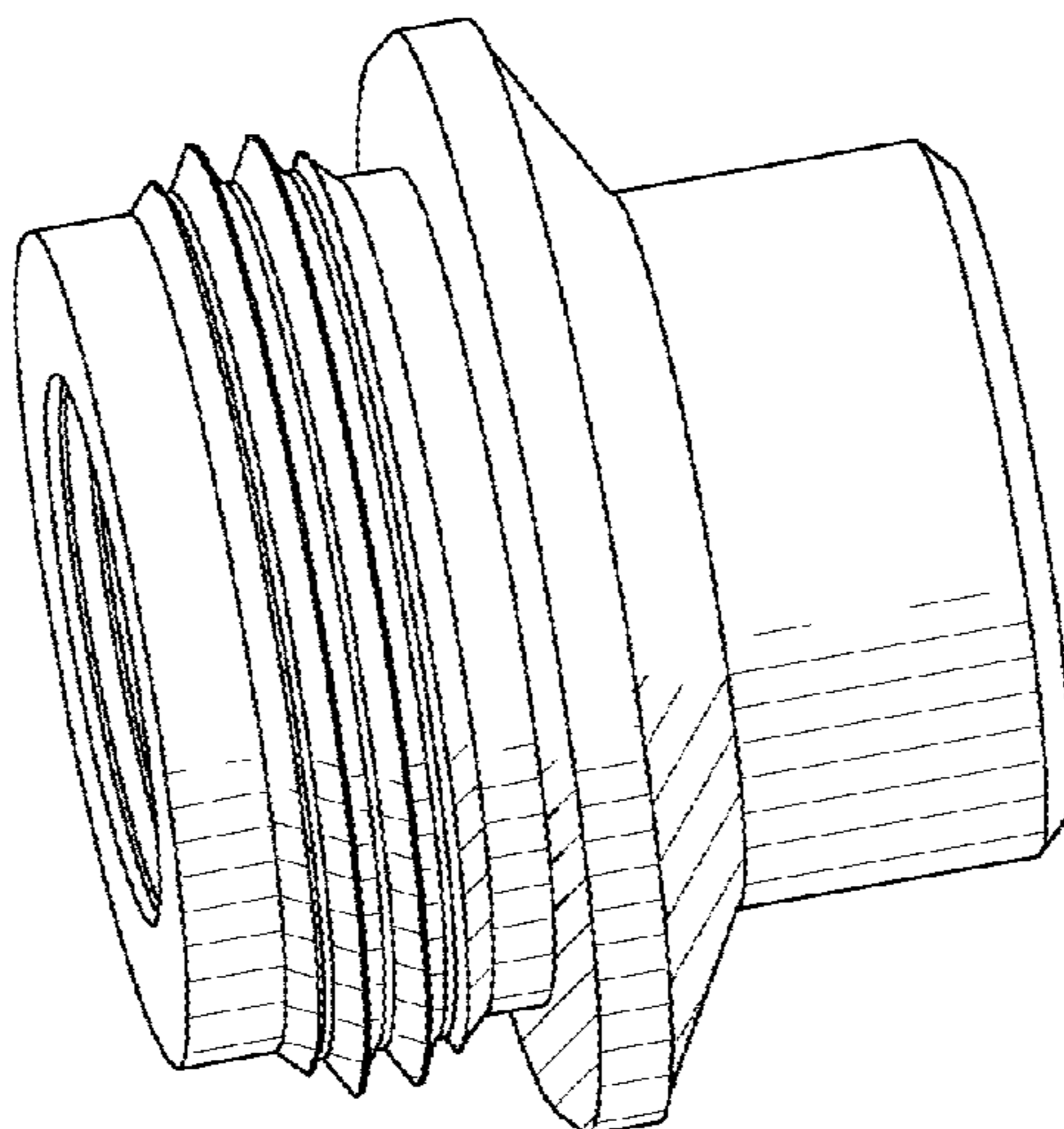
(57) **CLAIM**

The ornamental design for a lower set insert with lower ball seat for a downhole plug, as shown and described.

DESCRIPTION

FIG. 1 is a perspective view of a lower set insert with lower ball seat for a downhole plug showing my new design; FIG. 2 is a top plan view thereof; FIG. 3 is a front side plan view thereof, wherein the front side plan view and the back side plan views are identical; FIG. 4 is a bottom plan view thereof; and, FIG. 5 is a left side plan view thereof, wherein the left side plan view and the right side plan views are identical. The broken lines in the drawings depict unclaimed environmental subject matter.

1 Claim, 2 Drawing Sheets



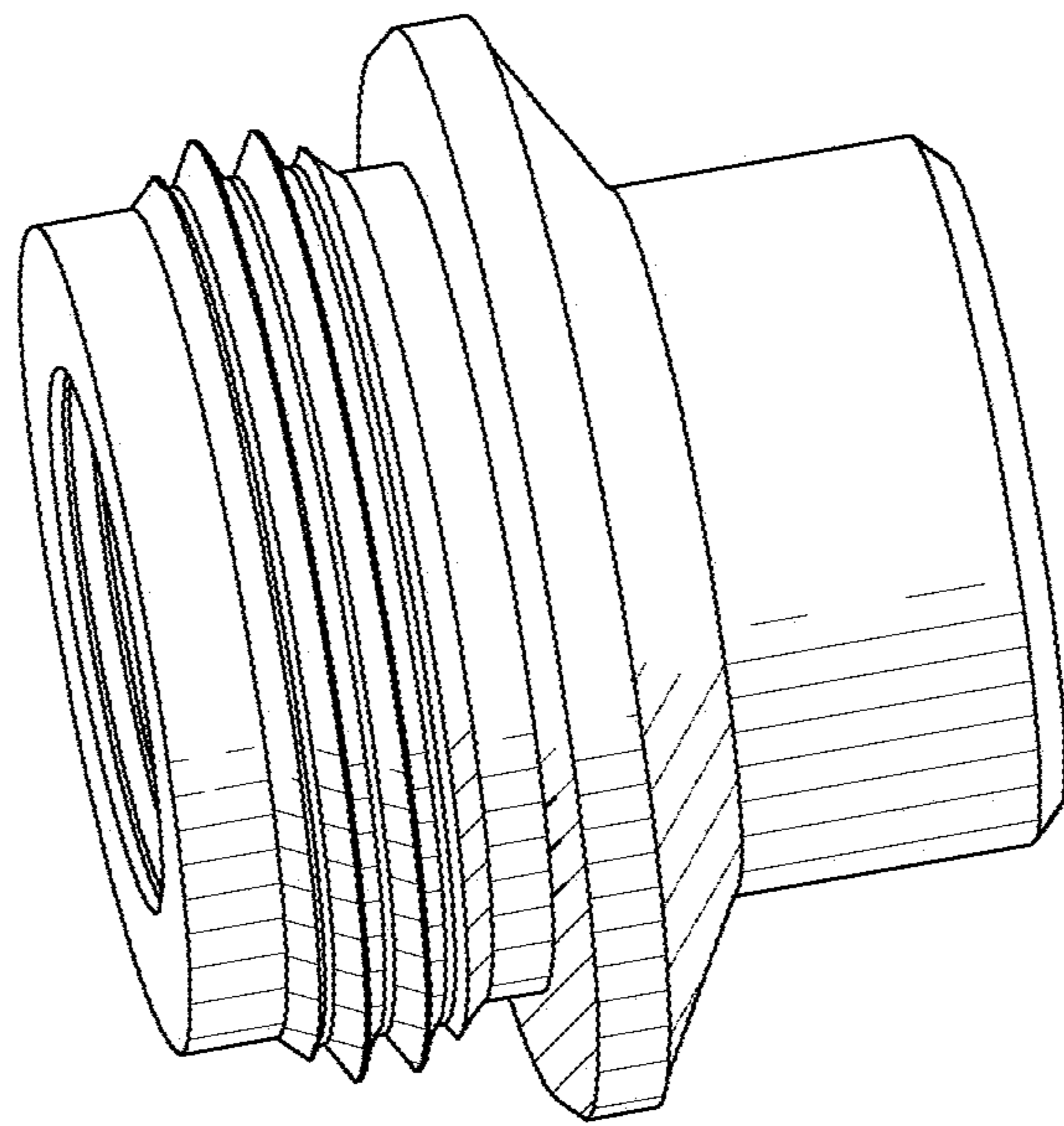


FIG. 1

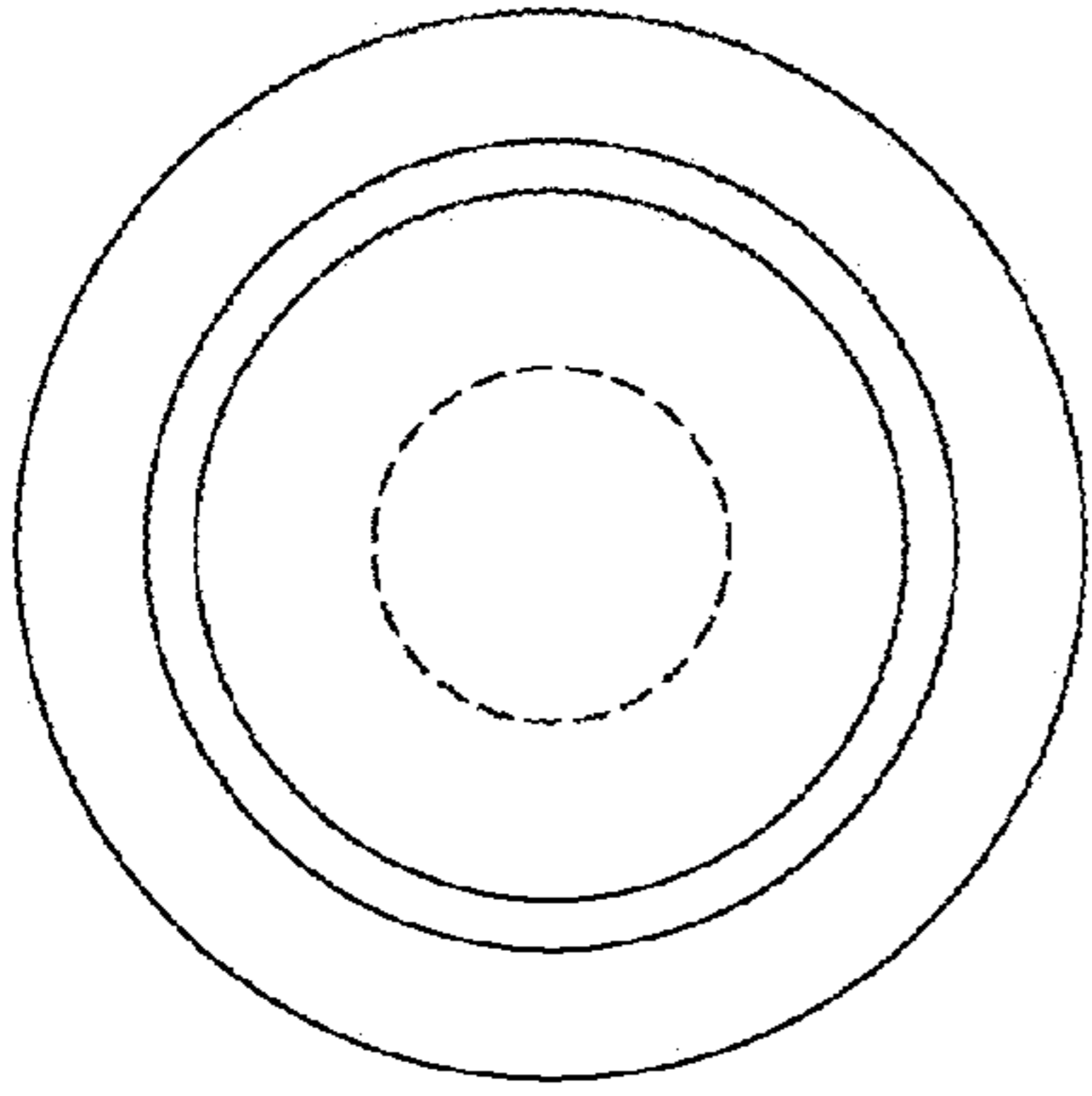


FIG. 2

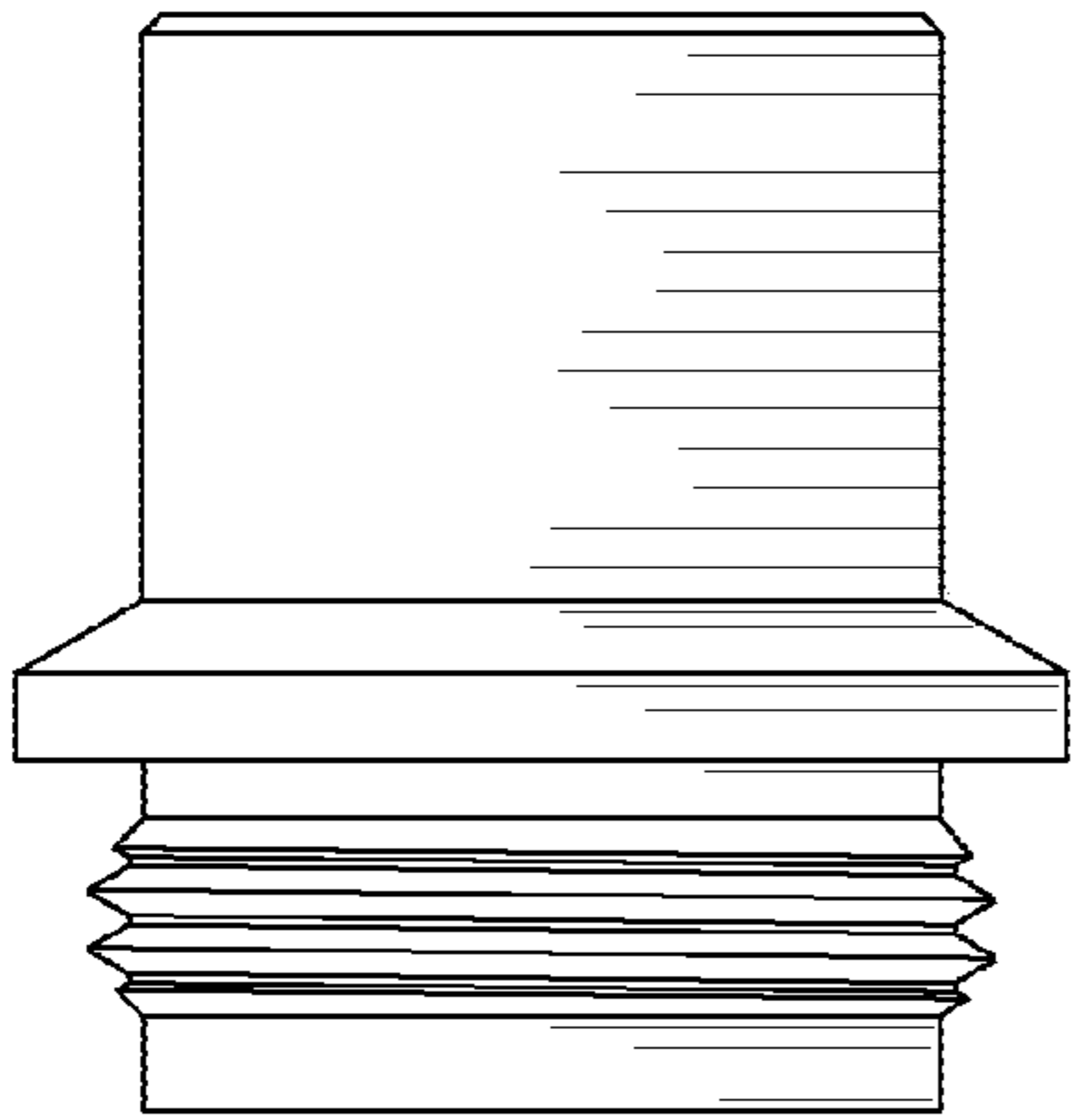


FIG. 3

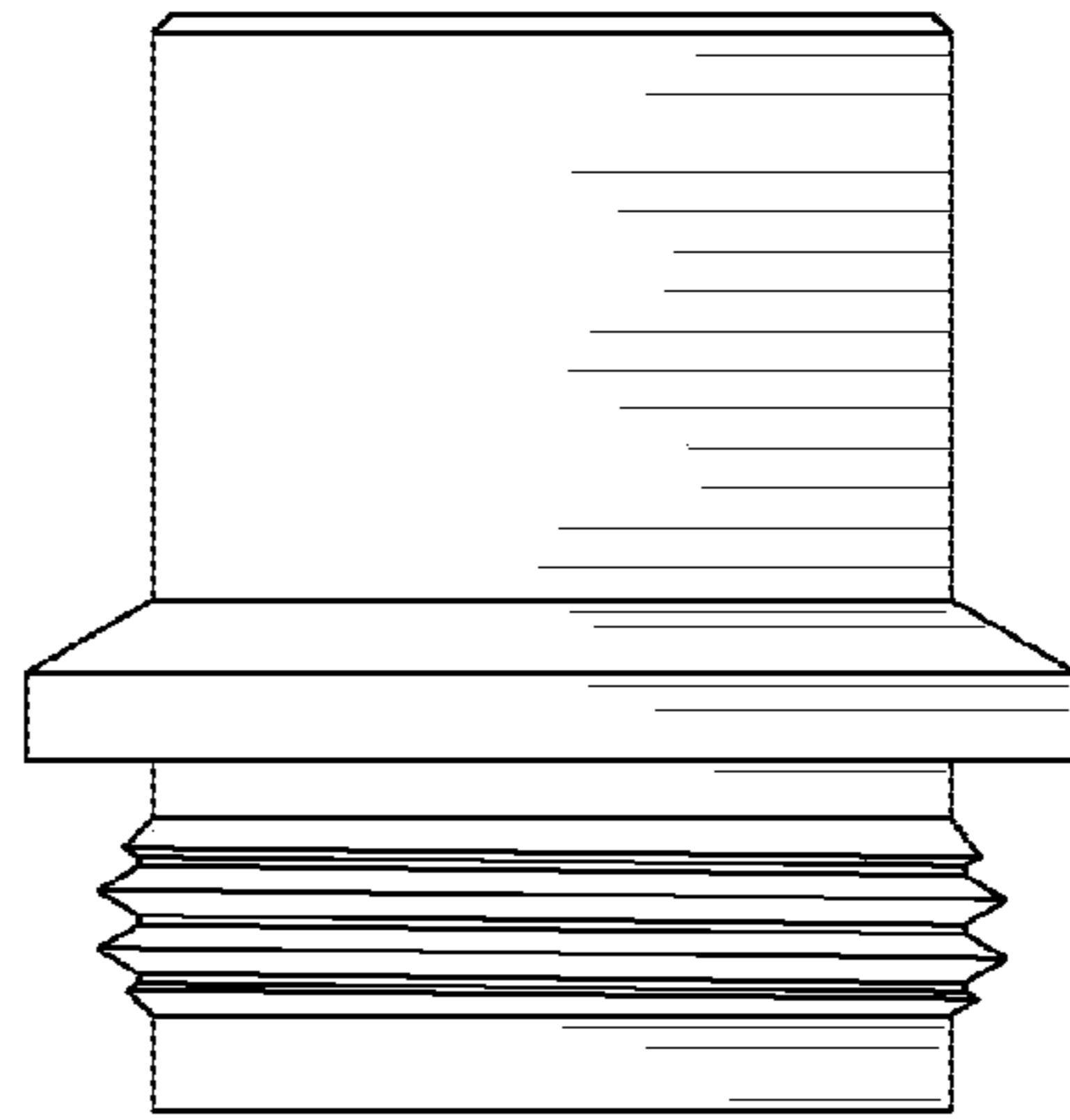


FIG. 4

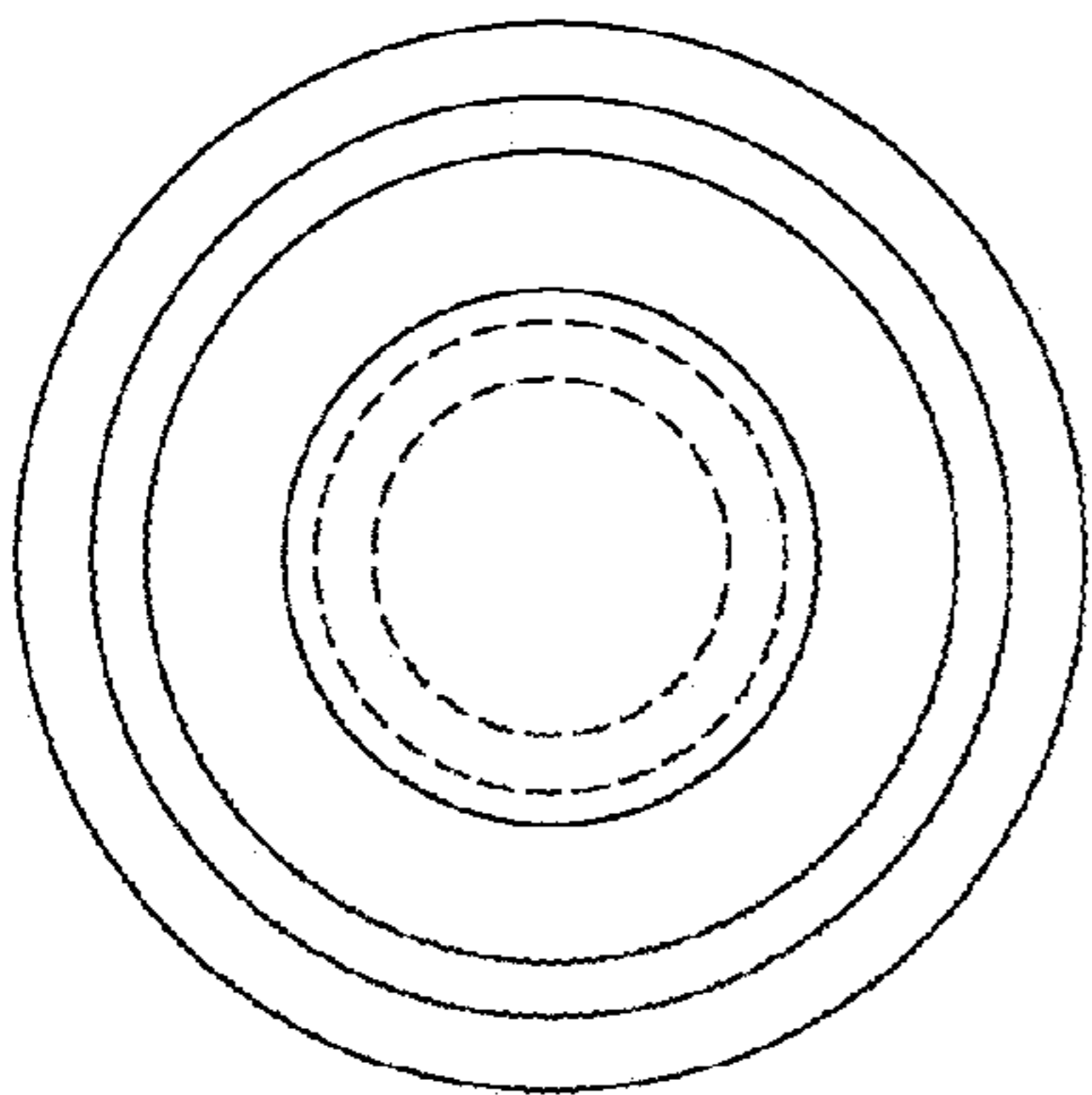


FIG. 5