



US00D703693S

(12) **United States Design Patent**
Brinda et al.

(10) **Patent No.:** **US D703,693 S**
(45) **Date of Patent:** **** Apr. 29, 2014**

(54) **DISPLAY SCREEN WITH GRAPHICAL USER INTERFACE**

(71) Applicant: **HTC Corporation**, Taoyuan County (TW)

(72) Inventors: **David Brinda**, Bellevue, WA (US); **Sheng-Hsin Huang**, Taoyuan County (TW); **Yi-Min Chien**, Taoyuan County (TW); **Jye Rong**, Taoyuan County (TW)

(73) Assignee: **HTC Corporation**, Taoyuan County (TW)

(**) Term: **14 Years**

(21) Appl. No.: **29/464,288**

(22) Filed: **Aug. 15, 2013**

Related U.S. Application Data

(63) Continuation of application No. 29/391,038, filed on May 3, 2011, now Pat. No. Des. 691,171.

(51) **LOC (10) Cl.** **14-04**

(52) **U.S. Cl.**
USPC **D14/488**

(58) **Field of Classification Search**
USPC D14/485-495; 715/719, 786, 835, 810, 715/763, 739, 733, 762; 705/15; D11/168, D11/169

See application file for complete search history.

(56) **References Cited**

U.S. PATENT DOCUMENTS

5,784,056 A * 7/1998 Nielsen 715/856
D474,197 S * 5/2003 Nguyen D14/486

D550,227 S * 9/2007 Sato et al. D14/485
D567,249 S * 4/2008 Gunn et al. D14/485
7,363,591 B2 * 4/2008 Goldthwaite et al. 715/763
D588,148 S * 3/2009 Stone et al. D14/485
D599,368 S * 9/2009 Kanga et al. D14/485
D607,893 S * 1/2010 Kanga et al. D14/485
D613,301 S * 4/2010 Lee et al. D14/489
D621,849 S * 8/2010 Anzures et al. D14/488
D626,131 S * 10/2010 Kruseniski et al. D14/485
D627,360 S * 11/2010 Aarseth D14/485
D631,060 S * 1/2011 Flik et al. D14/486
7,903,115 B2 * 3/2011 Platzer et al. 345/473
D637,605 S * 5/2011 Brinda D14/488
D641,372 S * 7/2011 Gardner et al. D14/486

(Continued)

Primary Examiner — Kevin Rudzinski

(74) *Attorney, Agent, or Firm* — Jianq Chyun IP Office

(57) **CLAIM**

The ornamental design for a display screen with graphical user interface, as shown and described.

DESCRIPTION

FIG. 1 is a front view of the first image of a display screen with graphical user interface showing our new design.

FIG. 2 is a front view of a second image thereof.

FIG. 3 is a front view of a third image thereof.

FIG. 4 is a front view of a fourth image thereof.

FIG. 5 is a front view of a fifth image thereof.

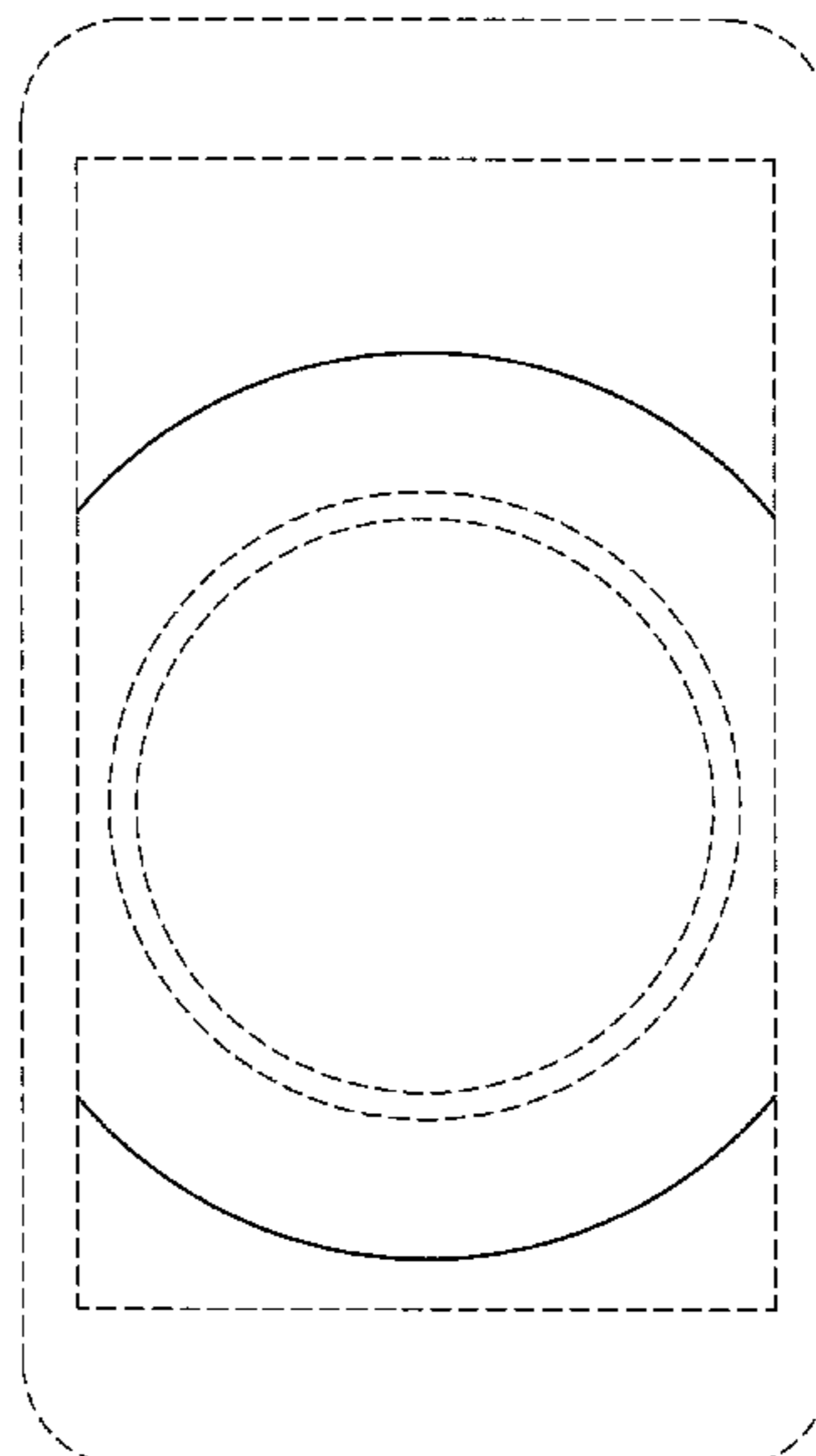
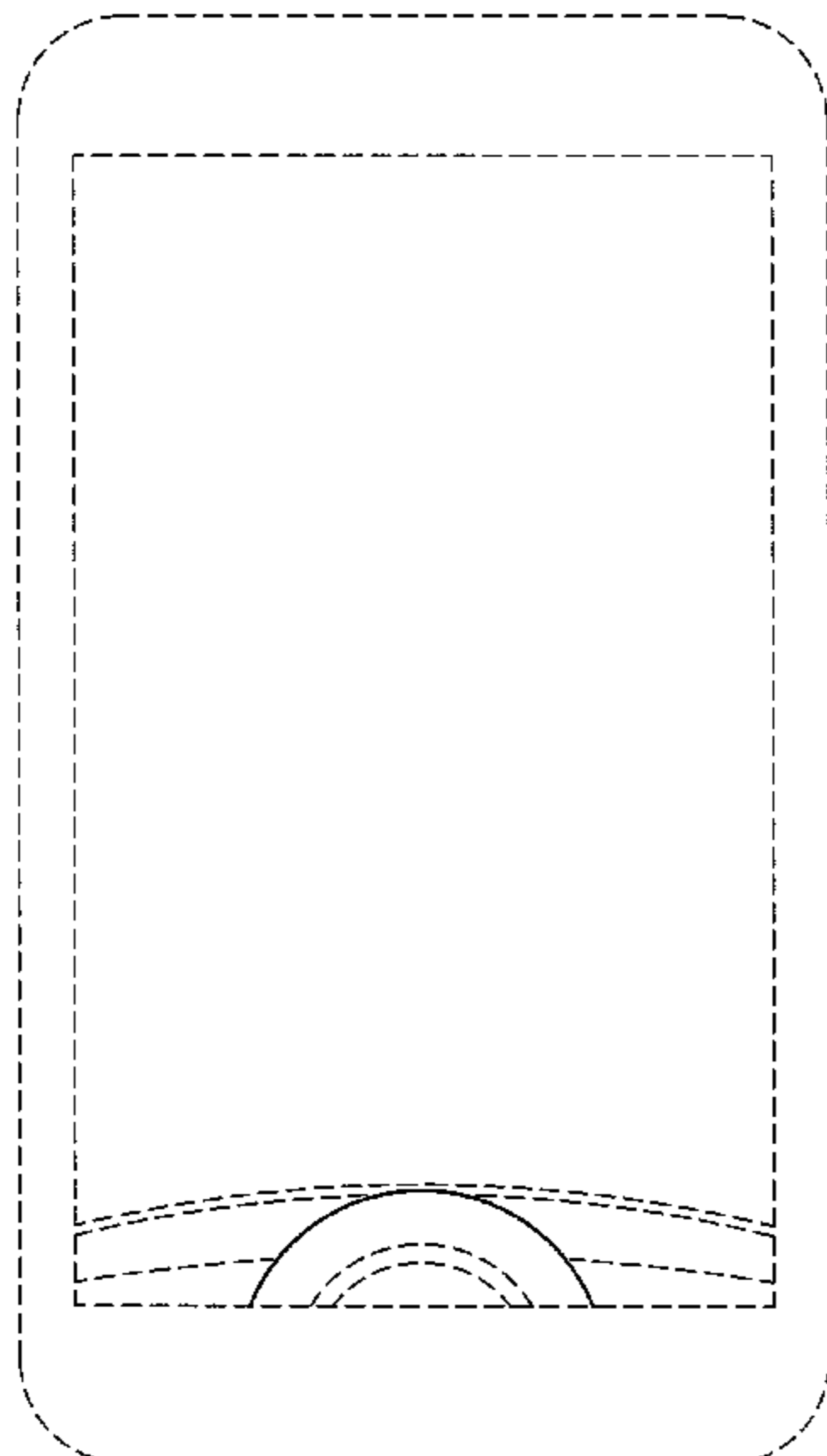
FIG. 6 is a front view of a sixth image thereof; and,

FIG. 7 is a front view of a seventh image thereof.

The broken line representations in the figures illustrate environmental features that form no part of the claimed design.

The appearance of the transitional image sequentially transitions between the images shown in FIGS. 1-7. The process or period in which one image transitions to another image forms no part of the claimed design.

1 Claim, 7 Drawing Sheets



(56)

References Cited

U.S. PATENT DOCUMENTS

8,006,198 B2 *	8/2011	Okuma et al.	715/810	D673,172 S *	12/2012	Peters et al.	D14/487
D644,662 S *	9/2011	Gardner et al.	D14/495	D675,638 S *	2/2013	Woo et al.	D14/487
D650,793 S *	12/2011	Impas et al.	D14/489	D675,639 S *	2/2013	Anzures et al.	D14/487
D655,719 S *	3/2012	Zaman et al.	D14/486	8,381,135 B2 *	2/2013	Hotelling et al.	715/863
8,136,052 B2 *	3/2012	Shin et al.	715/863	D687,056 S *	7/2013	Matas et al.	D14/488
D658,674 S *	5/2012	Shallcross et al.	D14/488	D690,728 S *	10/2013	Brinda	D14/488
D664,553 S *	7/2012	Gleasant et al.	D14/486	D691,171 S *	10/2013	Brinda et al.	D14/488
D664,972 S *	8/2012	Gleasant et al.	D14/486	D691,619 S *	10/2013	Satterfield et al.	D14/485
D667,423 S *	9/2012	Nagamine	D14/488	2005/0081164 A1 *	4/2005	Hama et al.	715/830
D673,168 S *	12/2012	Frijlink et al.	D14/487	2006/0053389 A1 *	3/2006	Michelman	715/775
				2008/0022228 A1 *	1/2008	Kwon et al.	715/838
				2008/0231610 A1 *	9/2008	Hotelling et al.	345/173
				2010/0175022 A1 *	7/2010	Diehl et al.	715/784

* cited by examiner



FIG. 1

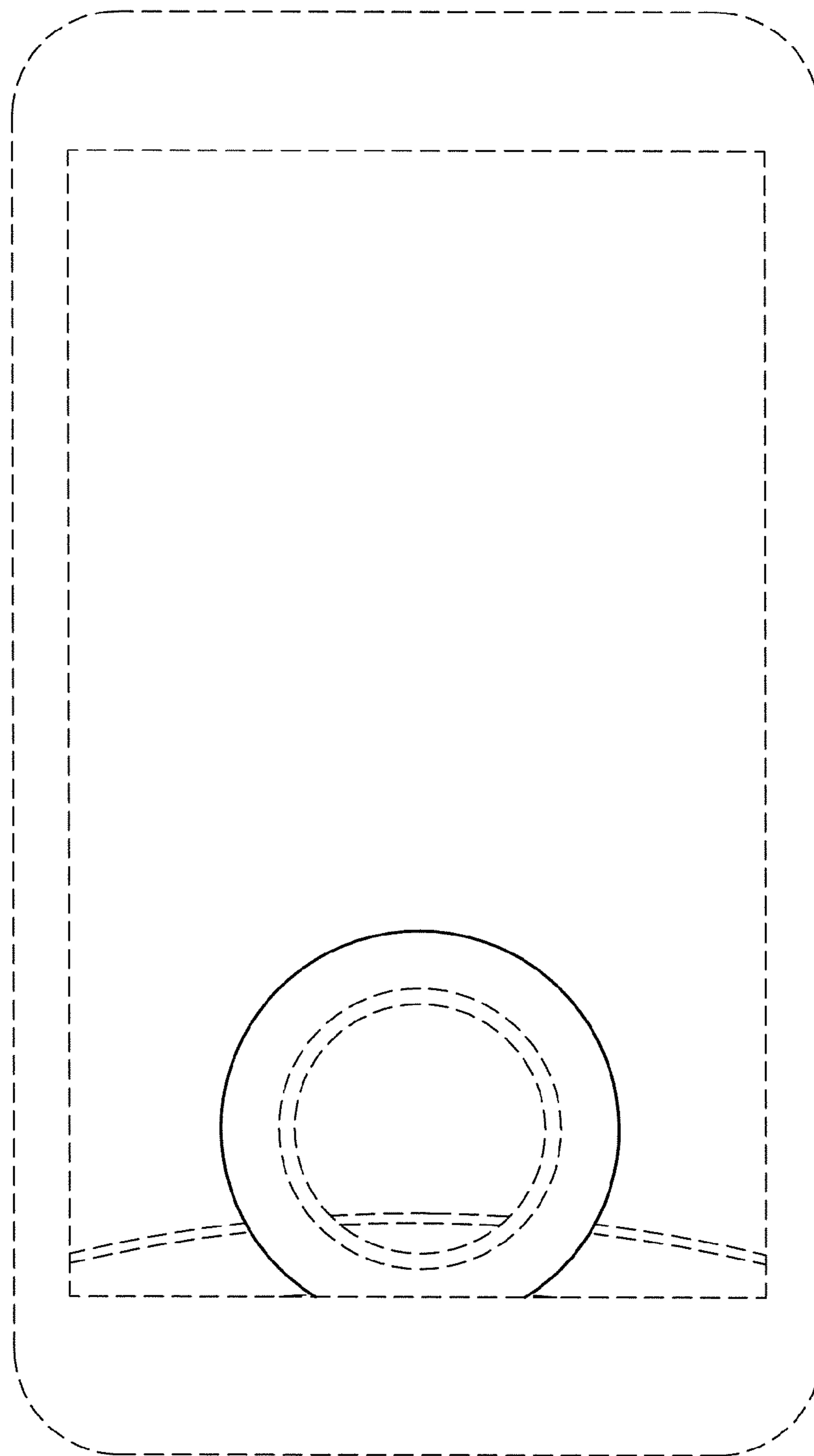


FIG. 2

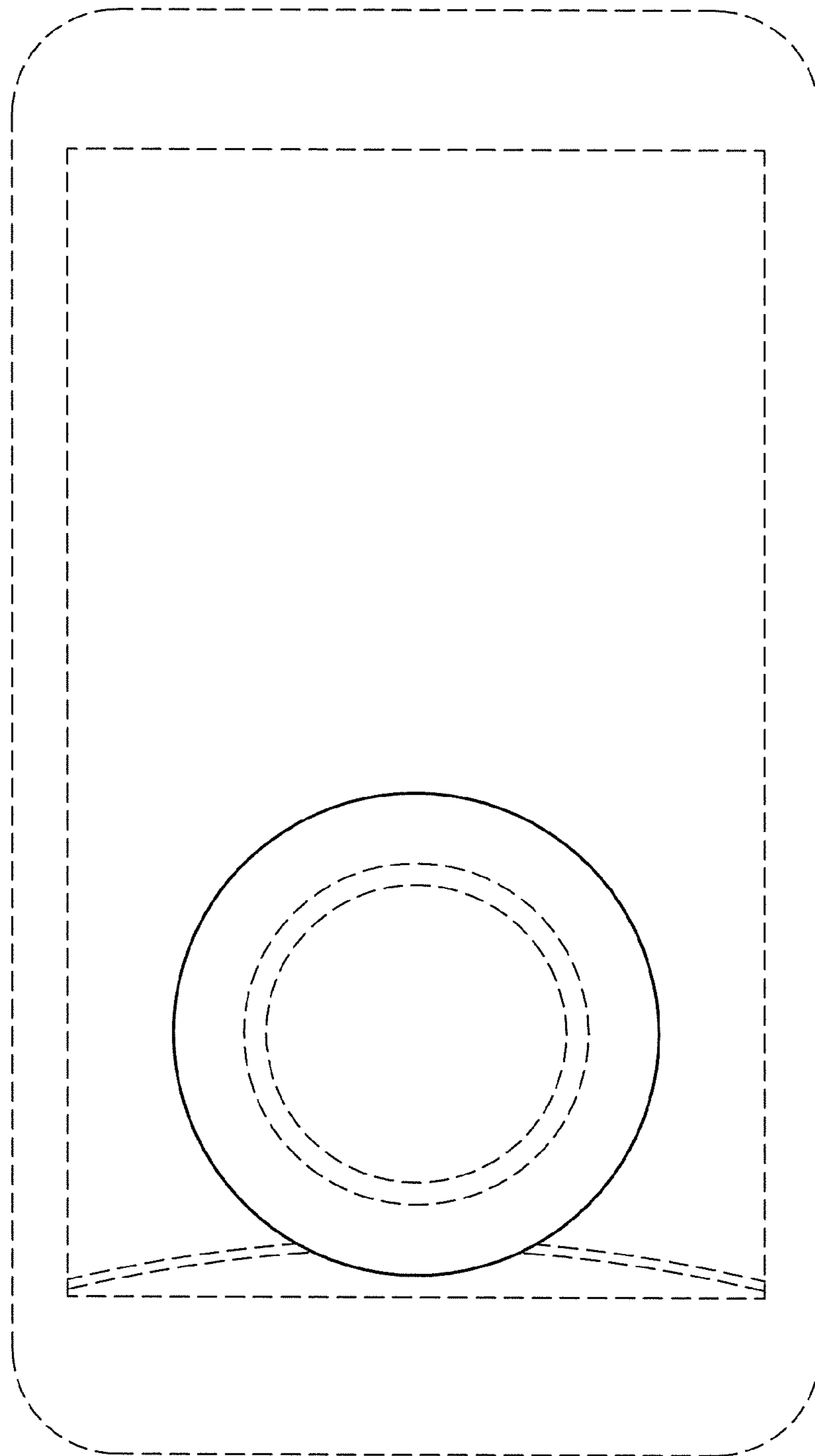


FIG. 3

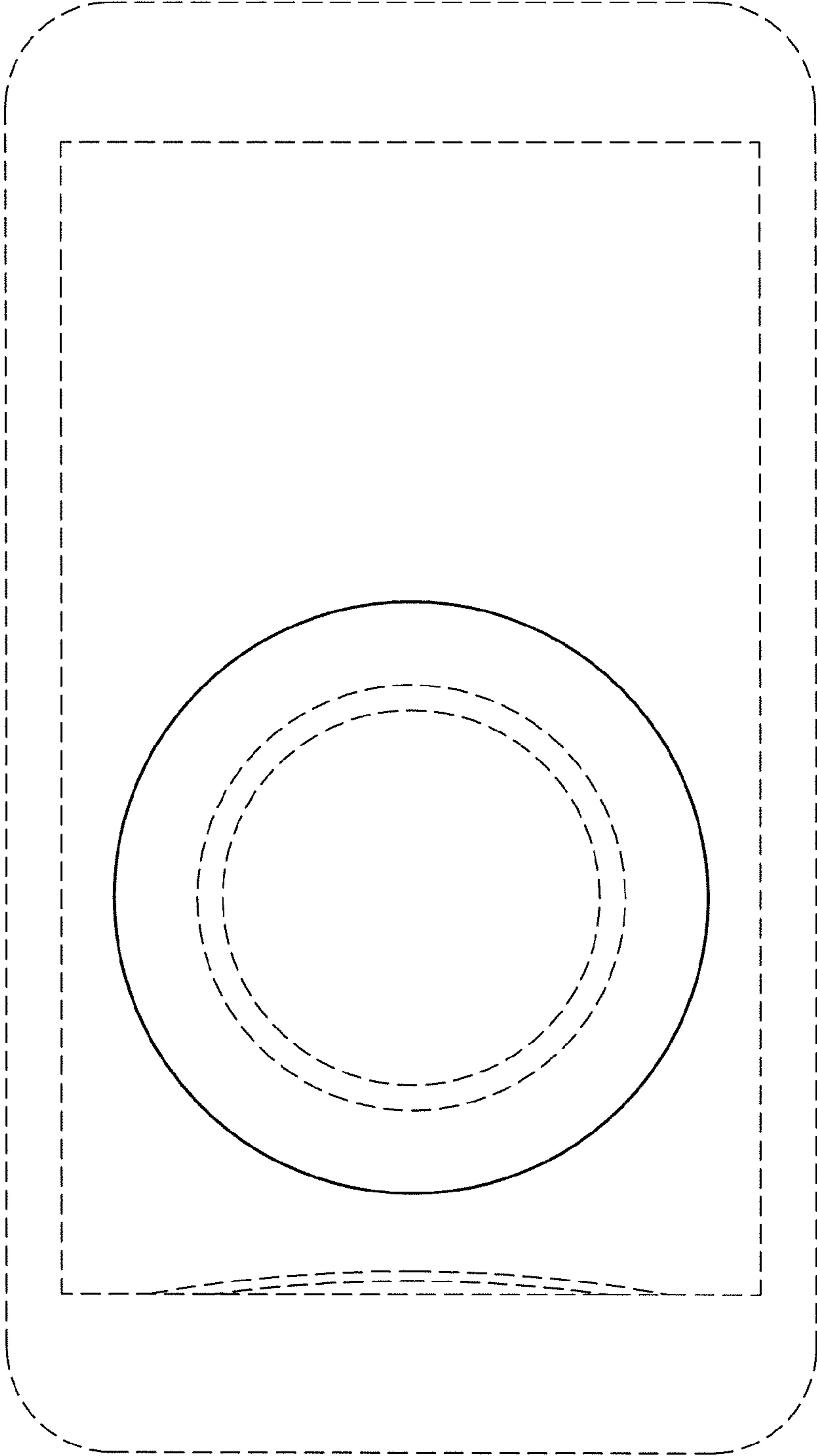


FIG. 4

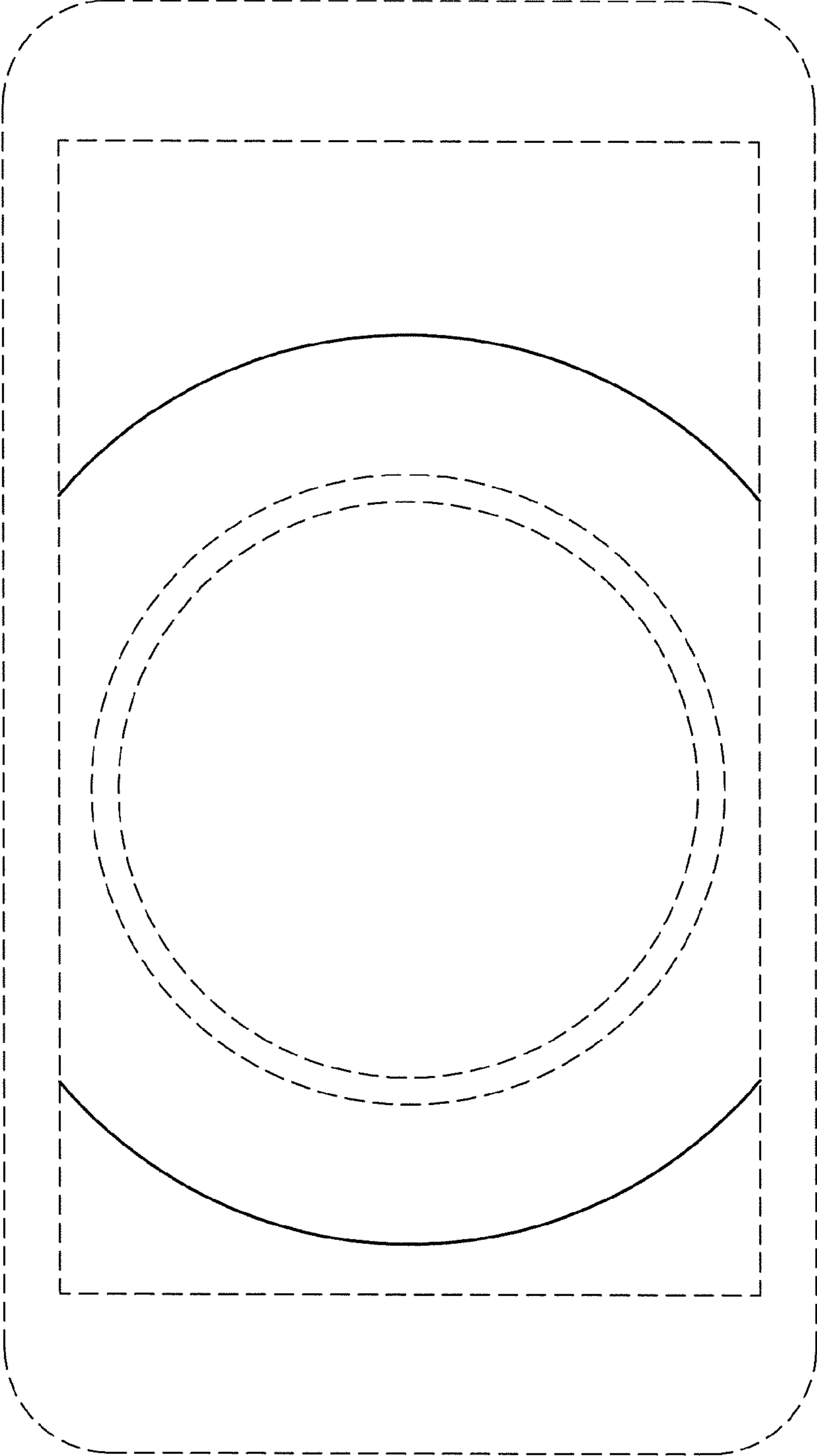


FIG. 5

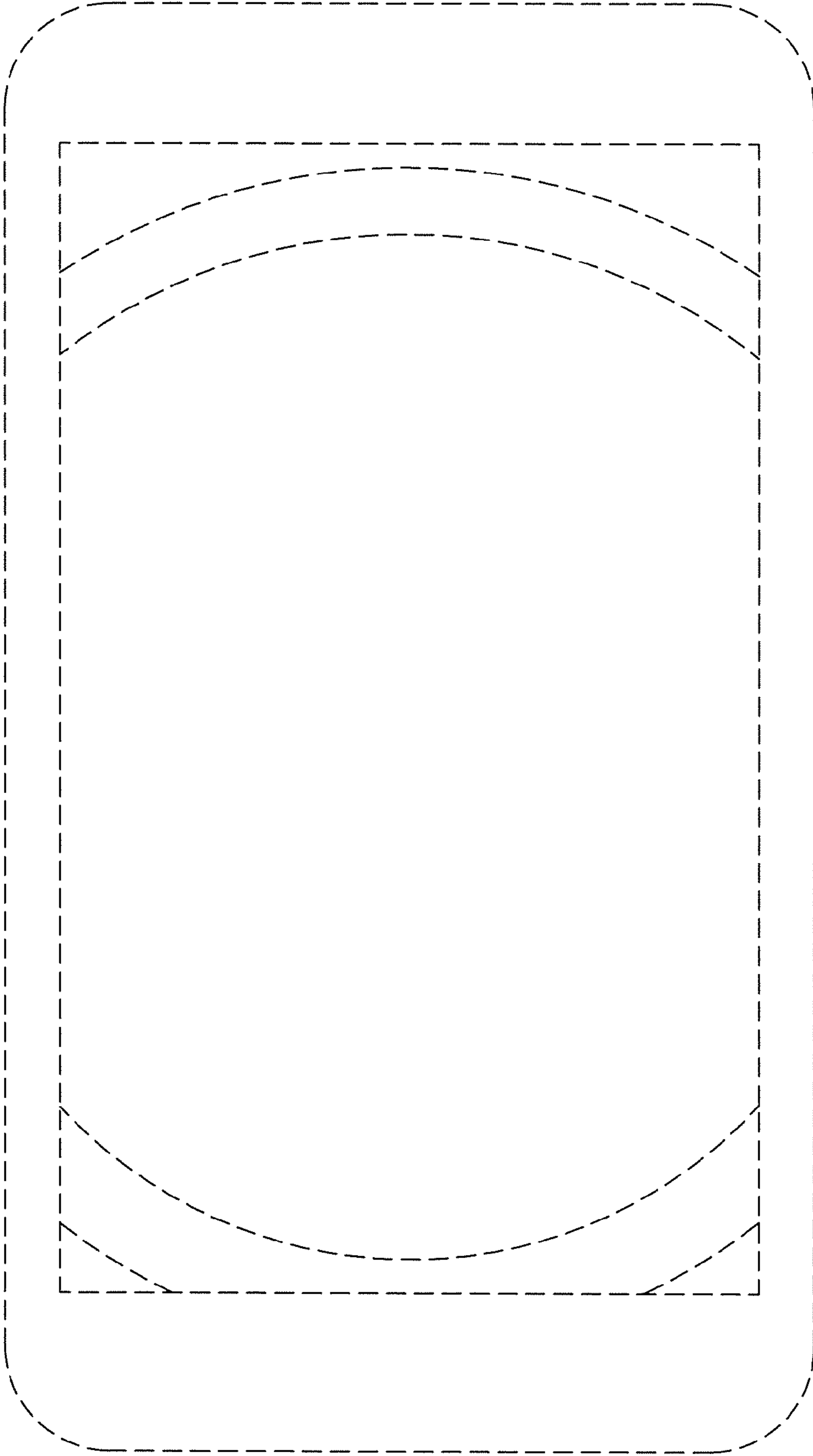


FIG. 6

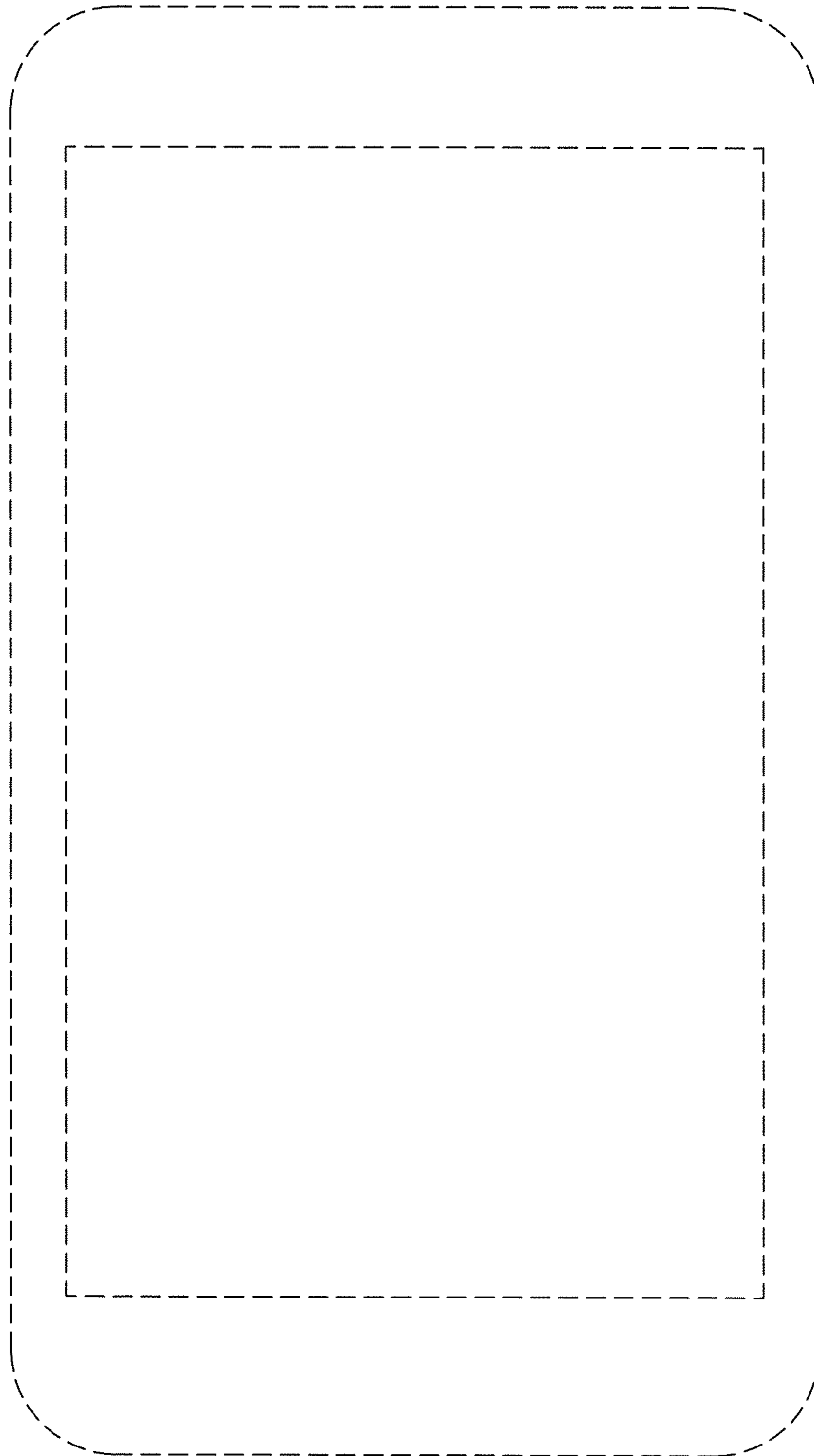


FIG. 7