



US00D703691S

(12) **United States Design Patent**
Brinda et al.

(10) **Patent No.:** **US D703,691 S**
(45) **Date of Patent:** **** Apr. 29, 2014**

(54) **DISPLAY SCREEN WITH AN ANIMATED GRAPHICAL USER INTERFACE**

(75) Inventors: **David Brinda**, Bellevue, WA (US);
Sheng-Hsin Huang, Taoyuan County (TW); **Jye Rong**, Taoyuan County (TW);
Wei-Chia Yen, Taoyuan County (TW)

(73) Assignee: **HTC Corporation**, Taoyuan County (TW)

(**) Term: **14 Years**

(21) Appl. No.: **29/405,056**

(22) Filed: **Oct. 28, 2011**

Related U.S. Application Data

(60) Continuation-in-part of application No. 29/404,946, filed on Oct. 27, 2011, which is a continuation of application No. 29/380,496, filed on Dec. 7, 2010, now Pat. No. Des. 652,049, which is a division of application No. 29/339,076, filed on Jun. 24, 2009, now Pat. No. Des. 633,508.

(51) **LOC (10) Cl.** **14-04**

(52) **U.S. Cl.**
USPC **D14/488**

(58) **Field of Classification Search**
USPC D14/485-95; D18/24-33; D19/6, 52;
D20/11; D21/324-33; 715/700-867,
715/973-77

See application file for complete search history.

(56) **References Cited**

U.S. PATENT DOCUMENTS

6,577,330 B1 * 6/2003 Tsuda et al. 715/782
D535,659 S * 1/2007 Hally et al. D14/485
D568,892 S * 5/2008 Stabb et al. D14/485

7,480,873 B2 * 1/2009 Kawahara 715/848
D590,407 S * 4/2009 Watanabe et al. D14/485
7,536,654 B2 * 5/2009 Anthony et al. 715/838
D599,812 S * 9/2009 Hirsch D14/488
D609,715 S * 2/2010 Chaudhri D14/486
7,797,641 B2 * 9/2010 Karukka et al. 715/802
D624,932 S * 10/2010 Chaudhri D14/488
7,840,907 B2 * 11/2010 Kikuchi et al. 715/790
D628,582 S * 12/2010 Kurozumi et al. D14/488
7,853,897 B2 * 12/2010 Ogawa et al. 715/838
7,865,834 B1 * 1/2011 van Os et al. 715/756
D648,732 S * 11/2011 Chou et al. D14/485
D651,608 S * 1/2012 Allen et al. D14/485
D651,609 S * 1/2012 Pearson et al. D14/486

(Continued)

Primary Examiner — Melanie H Tung

(74) *Attorney, Agent, or Firm* — Jianq Chyun IP Office

(57) **CLAIM**

The ornamental design for a display screen with an animated graphical user interface, as shown and described.

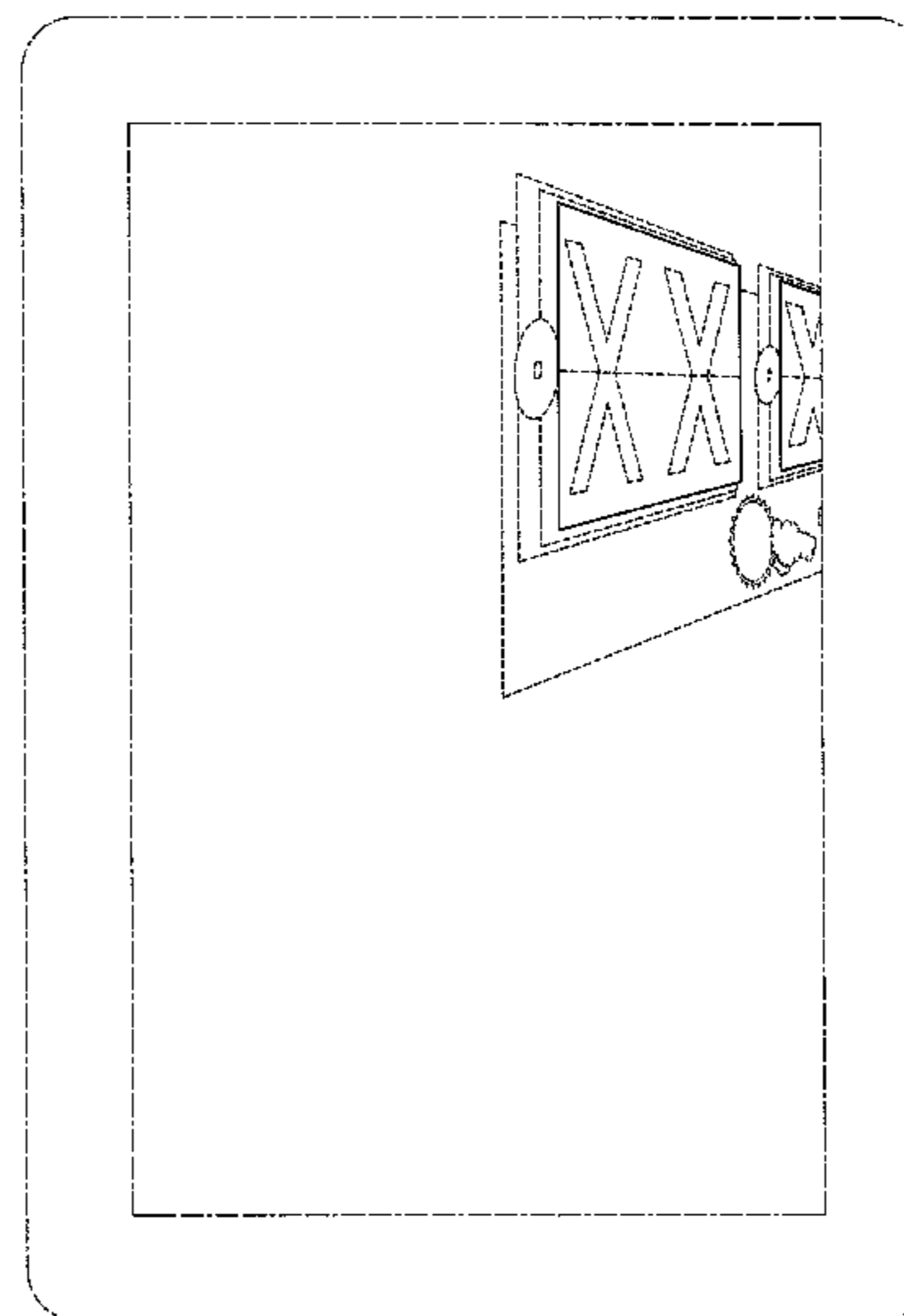
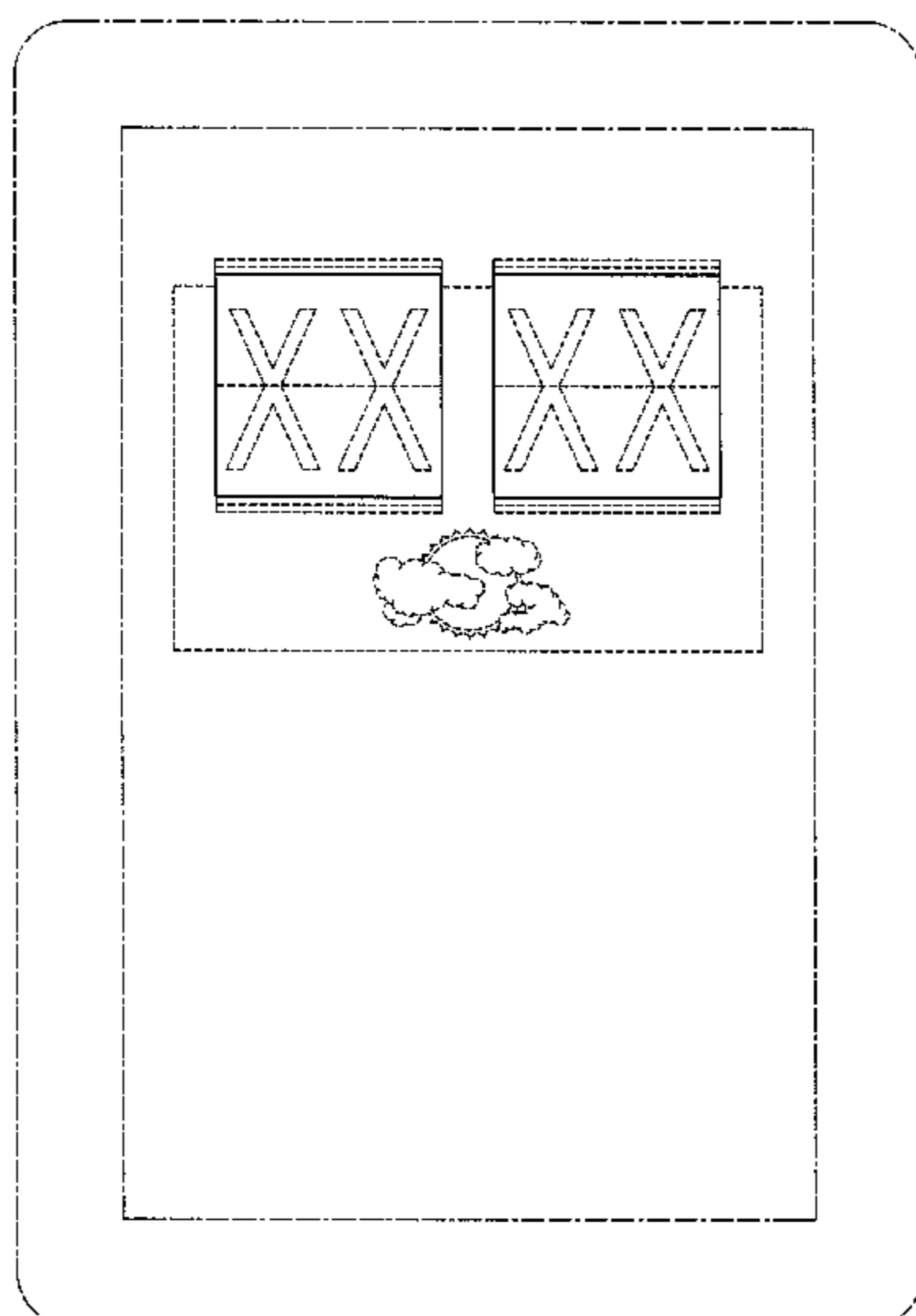
DESCRIPTION

FIG. 1 is a front view of the first image of a display screen with an animated graphical user interface showing our new design; FIG. 2 is a front view of a second image thereof; FIG. 3 is a front view of a third image thereof; FIG. 4 is a front view of a fourth image thereof; and, FIG. 5 is a front view of a fifth image thereof.

The broken line drawing of a display screen in all views illustrates unclaimed environment and forms no part of the claimed design. The broken line showing of the remainder of the graphical user interface forms no part of the claimed design.

The appearance of the transitional image sequentially transitions between the images shown in FIGS. 1-5. The process or period in which one image transitions to another image forms no part of the claimed design.

1 Claim, 5 Drawing Sheets



US D703,691 S

Page 2

(56)

References Cited

U.S. PATENT DOCUMENTS

8,176,439 B2 * 5/2012 Kamen et al. 715/848
D664,552 S * 7/2012 Gleasman et al. D14/486

D664,553 S * 7/2012 Gleasman et al. D14/486
8,230,360 B2 * 7/2012 Ma et al. 715/810
D664,975 S * 8/2012 Arnold D14/487
2011/0238676 A1 * 9/2011 Liu et al. 707/752

* cited by examiner

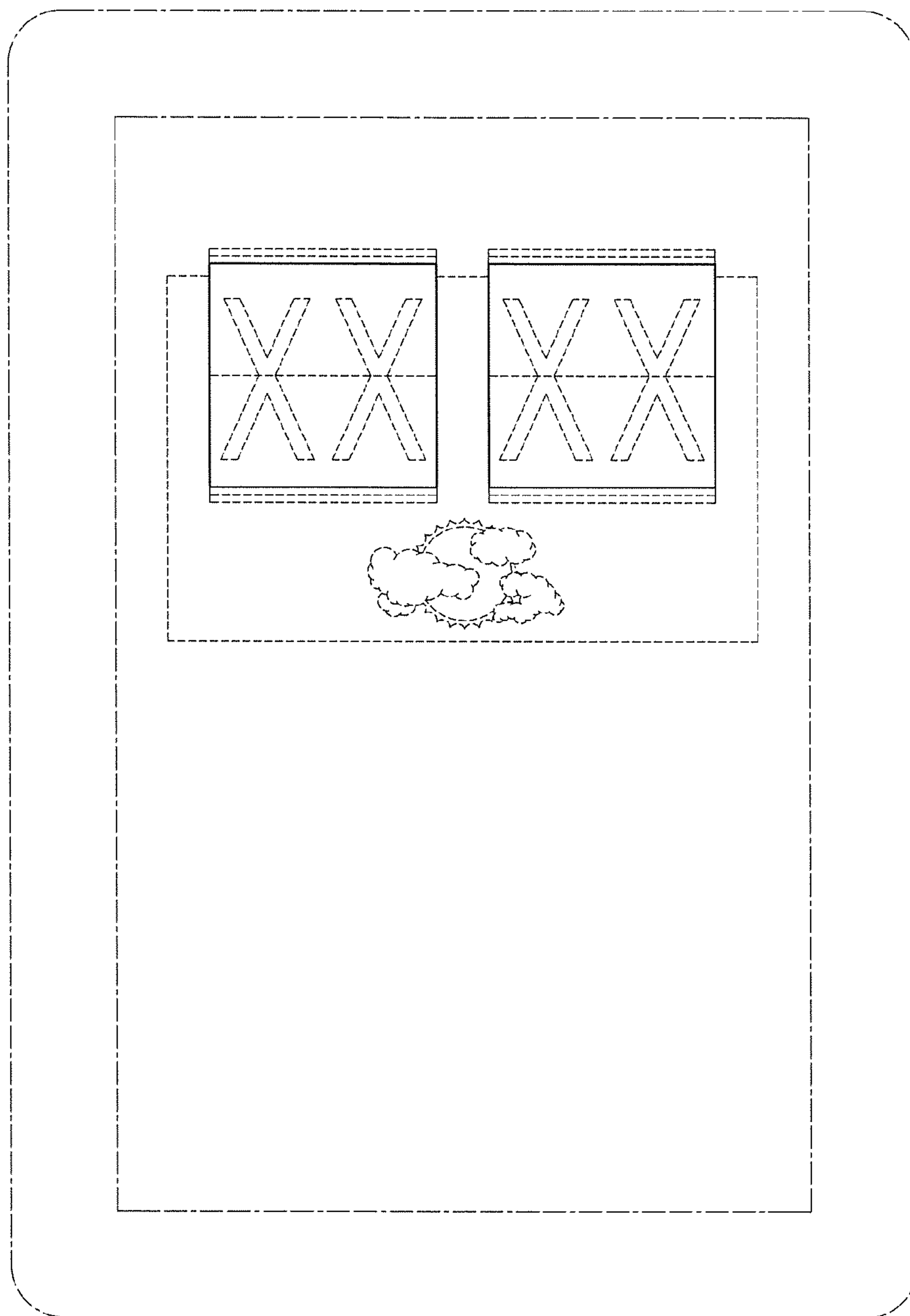


FIG. 1

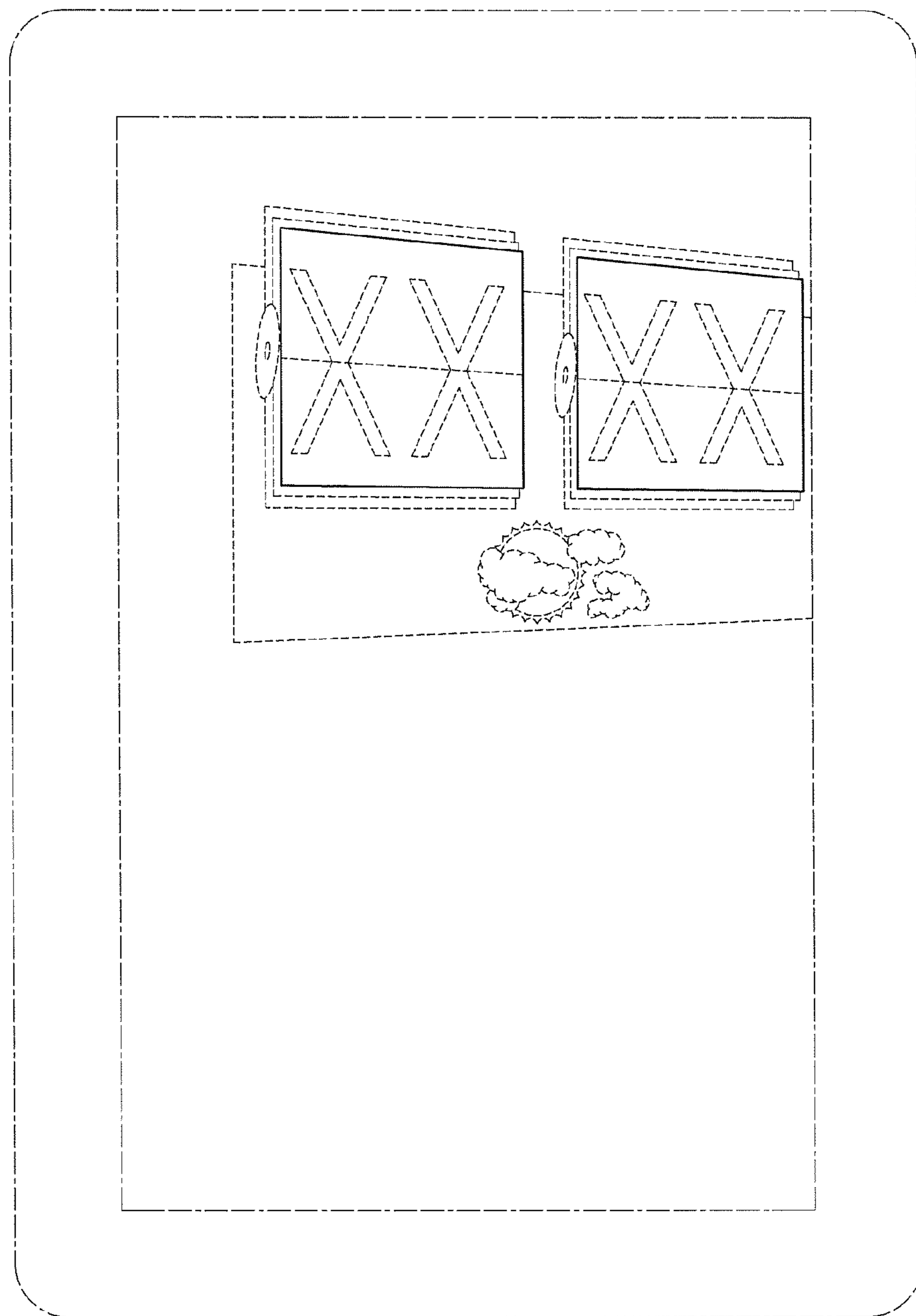


FIG. 2

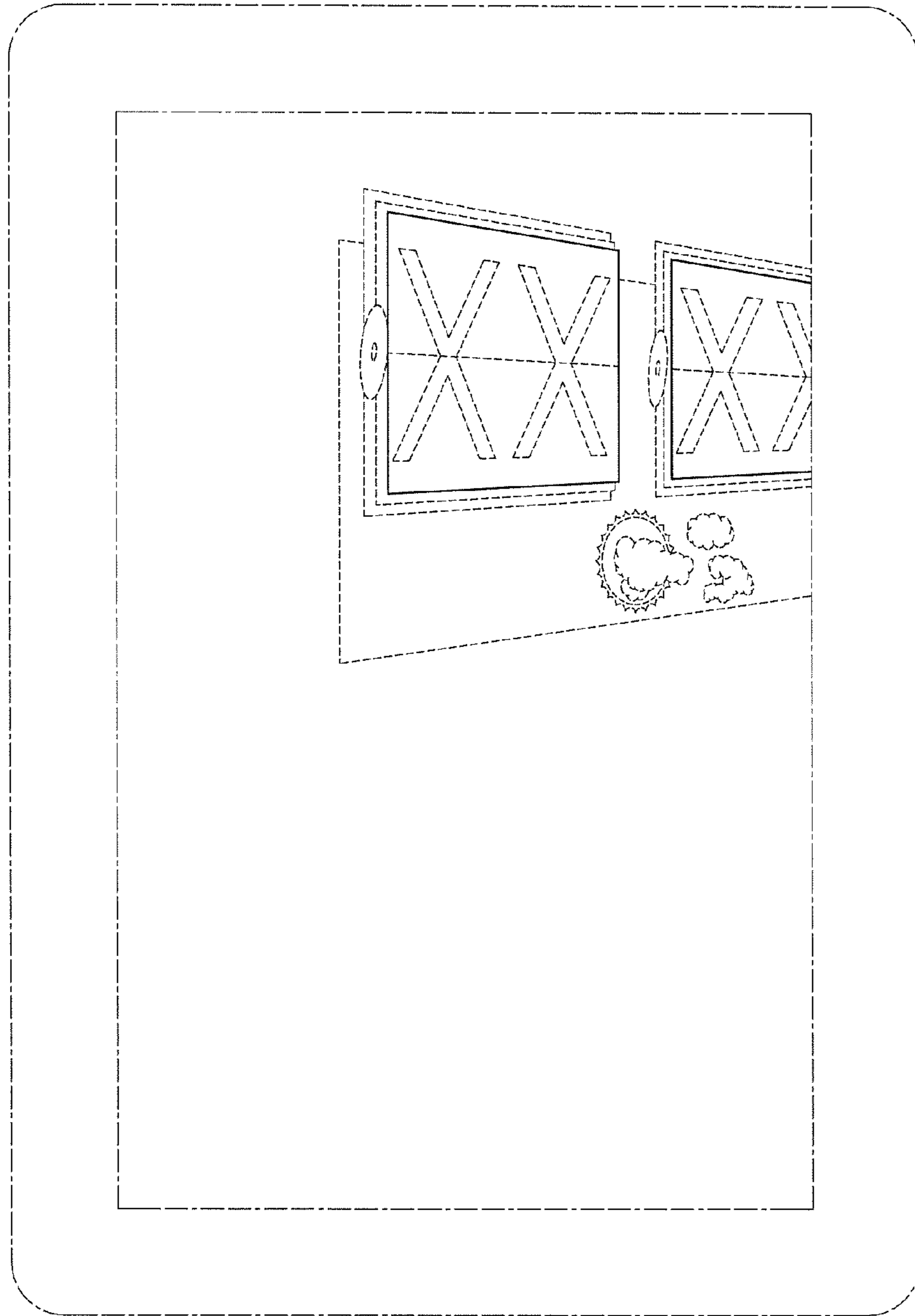


FIG. 3

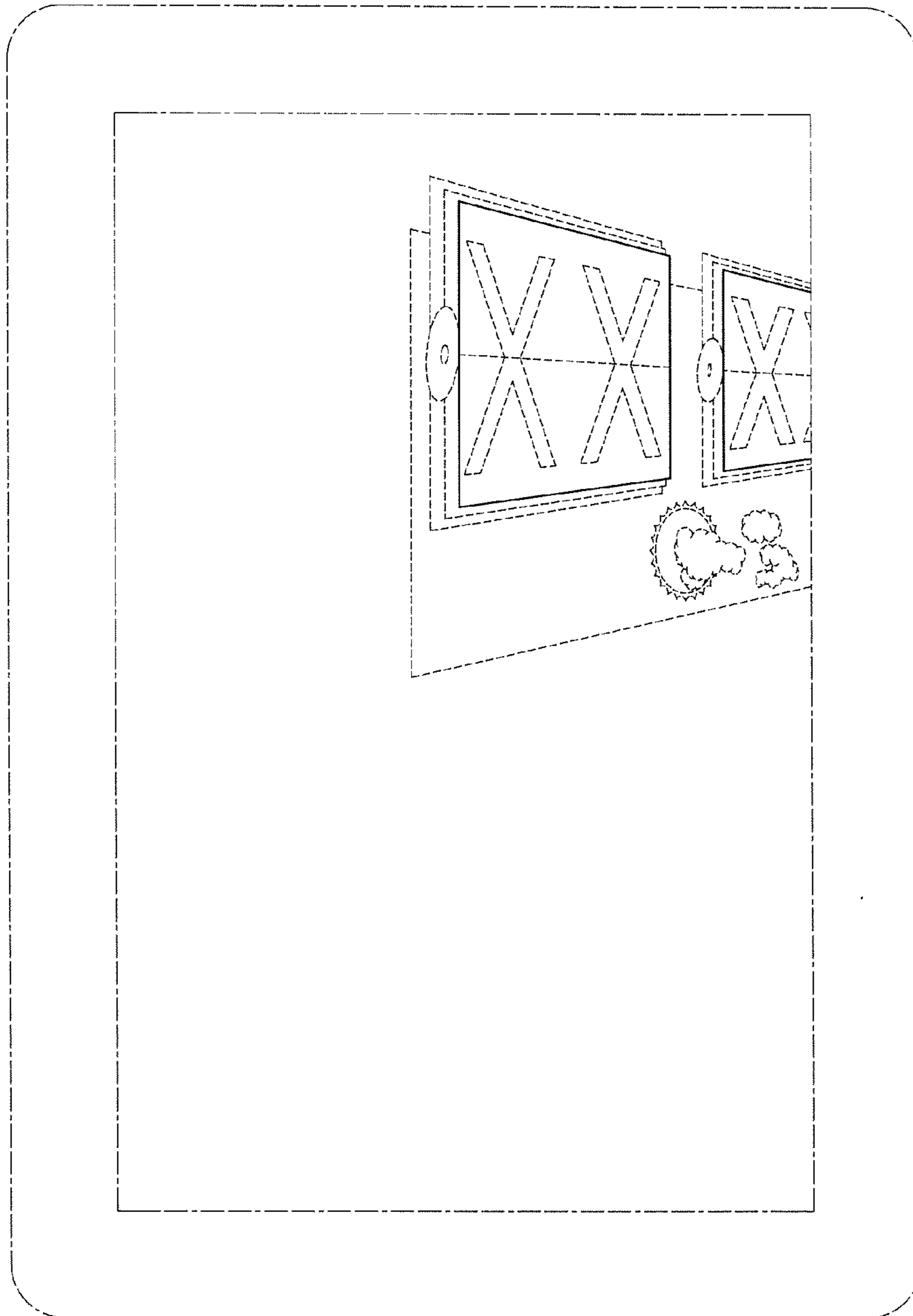


FIG. 4

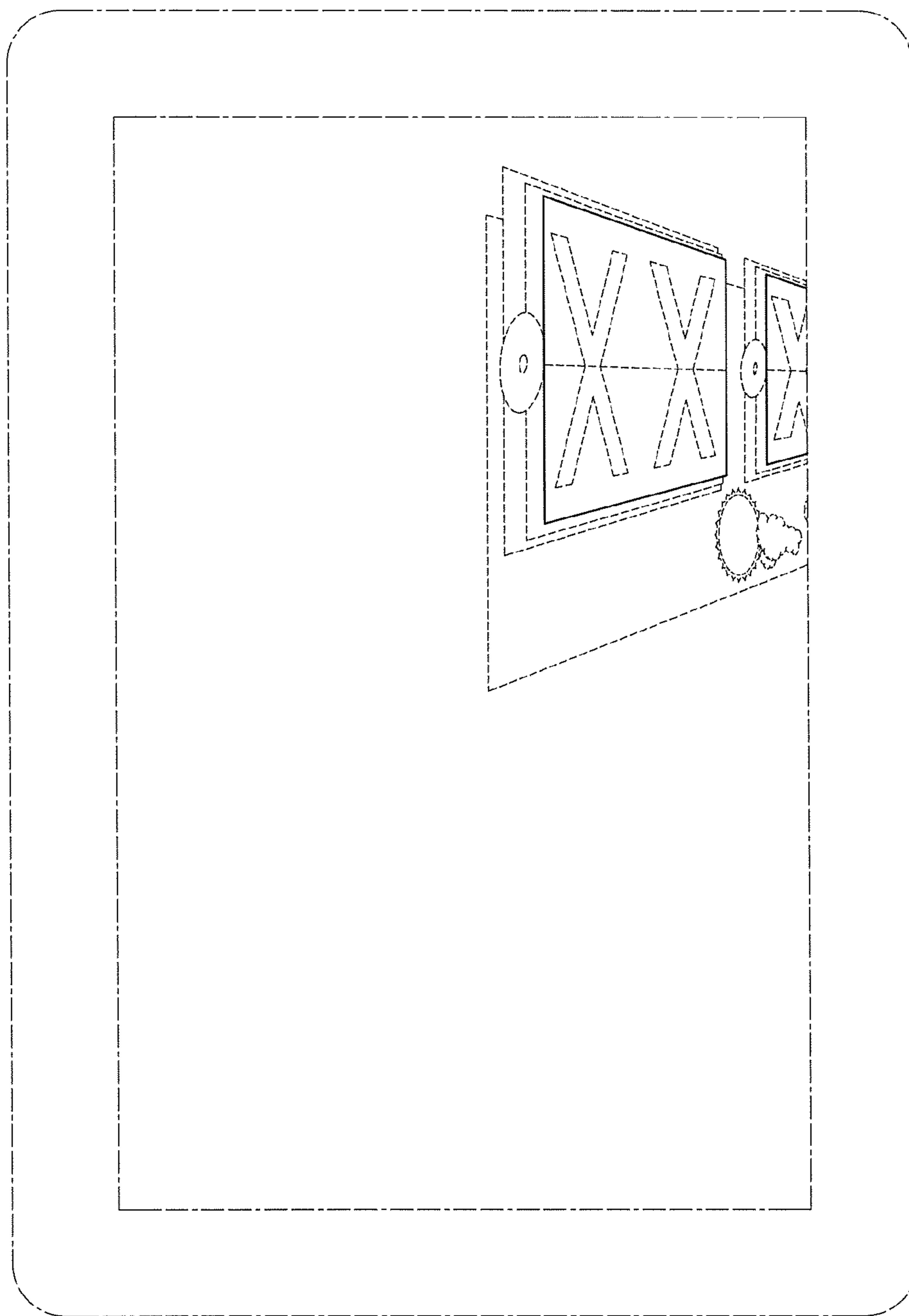


FIG. 5