



US00D703680S

(12) **United States Design Patent**
Lin

(10) **Patent No.:** **US D703,680 S**

(45) **Date of Patent:** **** Apr. 29, 2014**

(54) **FLASH DRIVE**

(71) Applicant: **Power Quotient International Co., Ltd.**, New Taipei (TW)

(72) Inventor: **Hung-Yi Lin**, New Taipei (TW)

(73) Assignee: **Power Quotient International Co., Ltd.**, New Taipei (TW)

(**) Term: **14 Years**

(21) Appl. No.: **29/466,257**

(22) Filed: **Sep. 5, 2013**

(51) **LOC (10) Cl.** **14-02**

(52) **U.S. Cl.**
USPC **D14/480.1**

(58) **Field of Classification Search**
USPC D14/411, 433, 435.1, 436, 480.1–480.7,
D14/484.1, 137, 155, 203.1–203.8, 240;
D13/133, 154; 710/300–301; 439/131,
439/135–147

See application file for complete search history.

(56) **References Cited**

U.S. PATENT DOCUMENTS

D531,127	S	*	10/2006	Zhong et al.	D13/147
D538,280	S	*	3/2007	Sugita	D14/480.5
D576,619	S	*	9/2008	Udagawa et al.	D14/435.1
D588,545	S	*	3/2009	Andre et al.	D13/154
D600,652	S	*	9/2009	Hong et al.	D13/154
D624,551	S	*	9/2010	Cohen	D14/480.5
D631,883	S	*	2/2011	Maier	D14/435.1
D631,885	S	*	2/2011	Maier	D14/435.1
8,029,302	B1	*	10/2011	Duan	439/142
D648,726	S	*	11/2011	Behar et al.	D14/435.1
D665,754	S	*	8/2012	Cobbett et al.	D13/147
8,305,750	B2	*	11/2012	Hsieh	361/679.33
D672,315	S	*	12/2012	Naito	D13/147

D678,841	S	*	3/2013	Choi et al.	D13/147
D679,249	S	*	4/2013	Choi et al.	D13/147
D685,382	S	*	7/2013	Anderson et al.	D14/480.5
D685,383	S	*	7/2013	Anderson et al.	D14/480.5
D688,651	S	*	8/2013	Daniel	D14/240
D691,139	S	*	10/2013	Koefoed	D14/433
D692,427	S	*	10/2013	Janson	D14/388
2009/0255991	A1	*	10/2009	Liao et al.	235/441
2012/0069518	A1	*	3/2012	Hsu et al.	361/679.58

OTHER PUBLICATIONS

DailyTech—MoGo Dapter: World’s Smallest Bluetooth Adapter, [online] Jan. 15, 2007 [retrieved on Oct. 14, 2008]. Retrieved from the Internet <URL: <http://www.dailytech.com/article.aspx?newsid=5711>>.*
QI Connect 203—PQI Group, [online], [retrieved on Jan. 6, 2014]. Retrieved from the Internet <URL: http://www.pqigroup.com/product_in.aspx?mnuid=1286&modid=138&prodid=946>.*

* cited by examiner

Primary Examiner — Karen E Kearney

(74) *Attorney, Agent, or Firm* — Muncy, Geissler, Olds & Lowe, P.C.

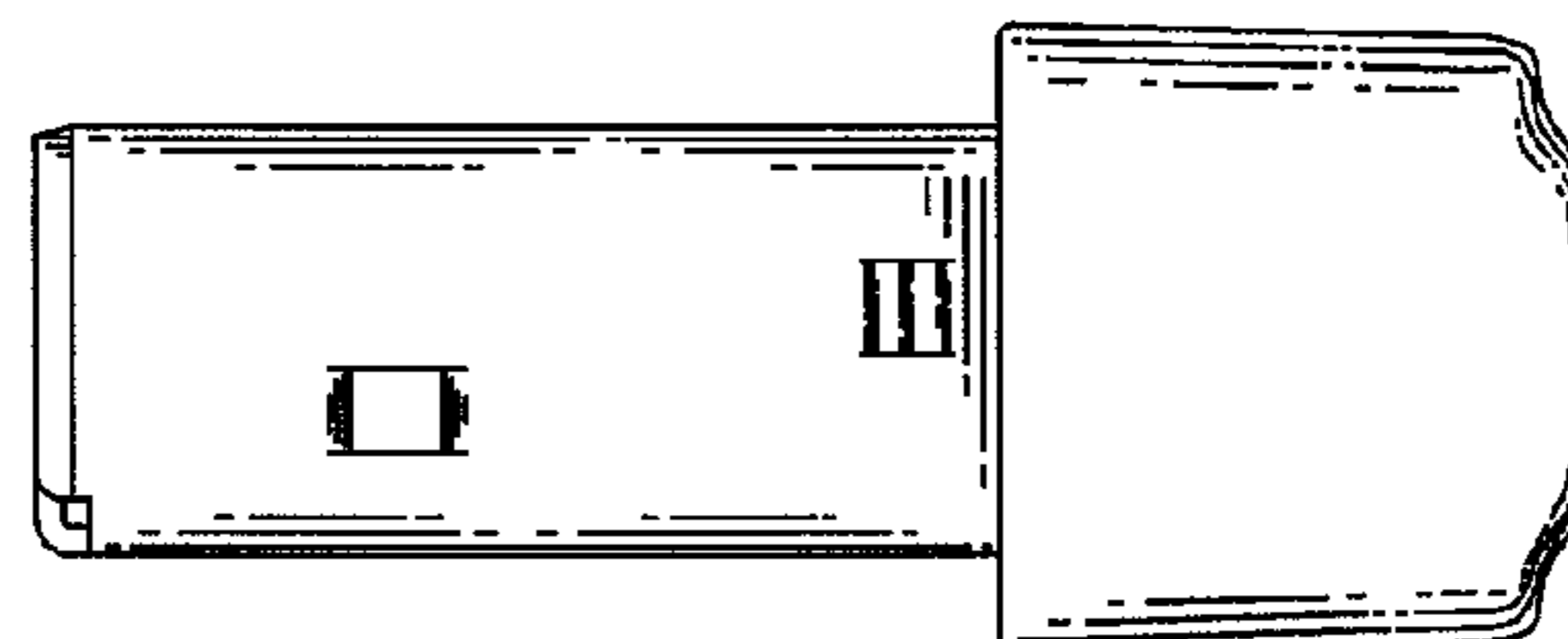
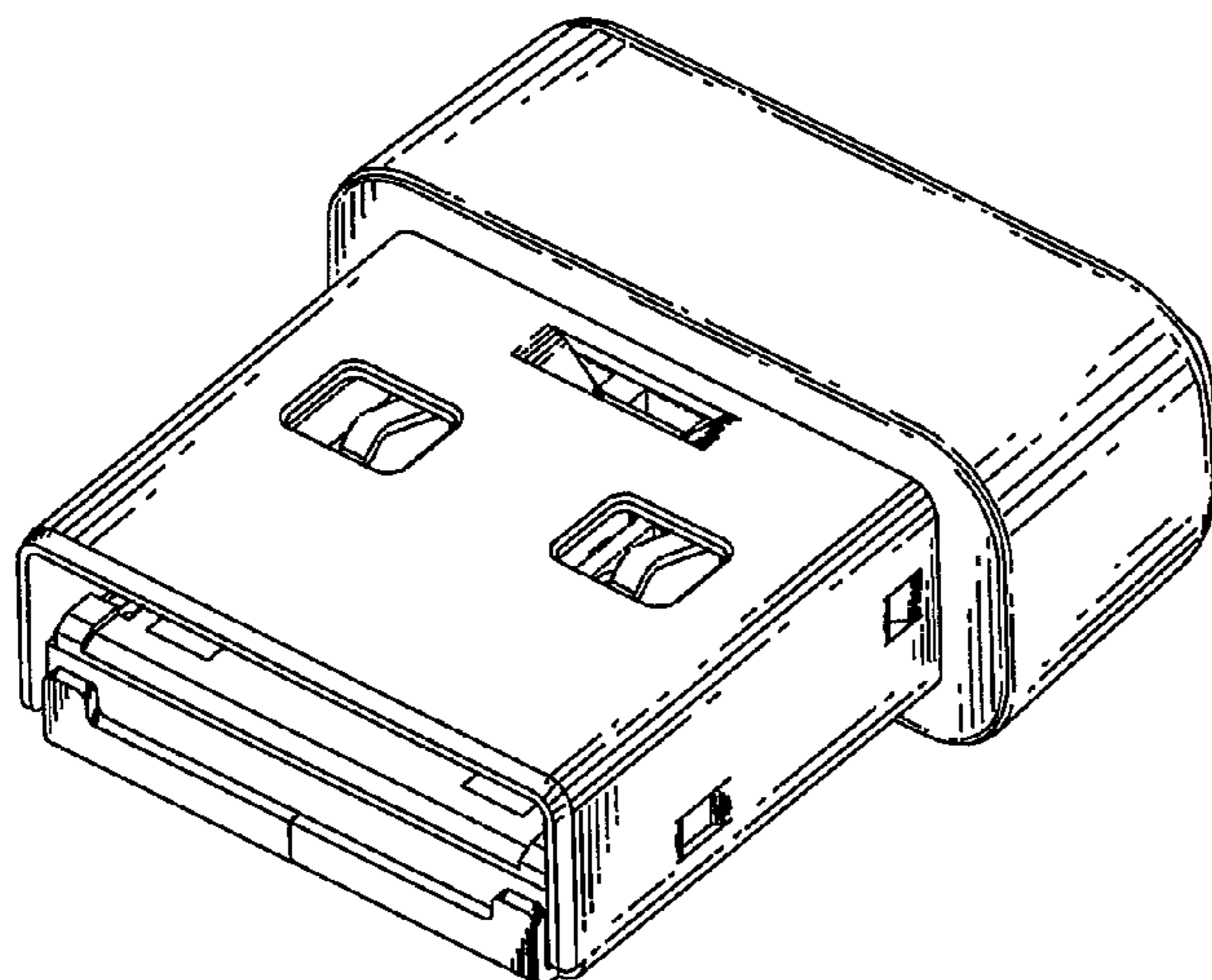
(57) **CLAIM**

The ornamental design for a flash drive, as shown and described.

DESCRIPTION

FIG. 1 is a perspective view of a flash drive showing my new design;
FIG. 2 is a front elevational view thereof;
FIG. 3 is a rear elevational view thereof;
FIG. 4 is a left side elevational view thereof;
FIG. 5 is a right side elevational view thereof;
FIG. 6 is a top plan view thereof; and,
FIG. 7 is a bottom plan view thereof.

1 Claim, 7 Drawing Sheets



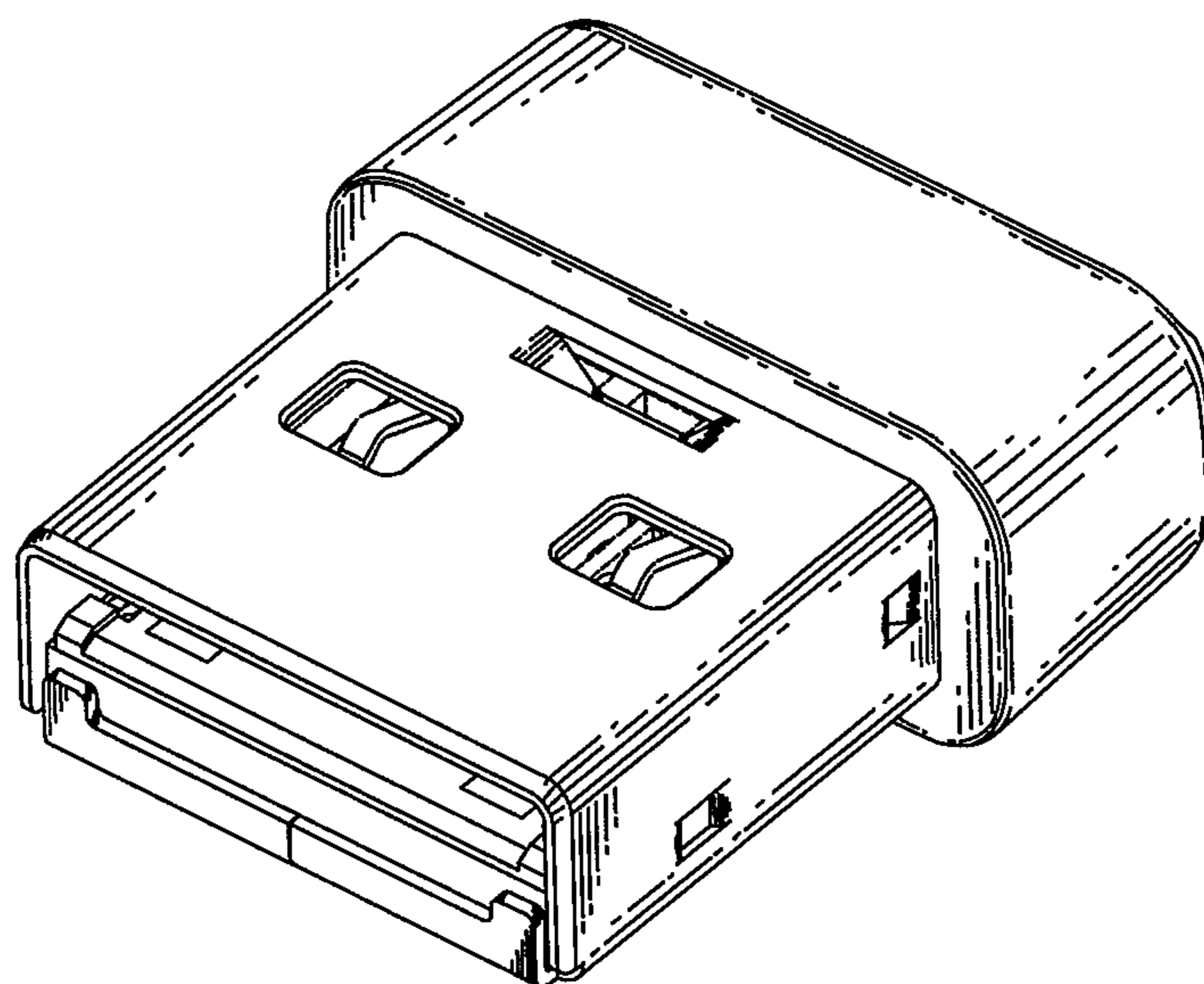


FIG. 1

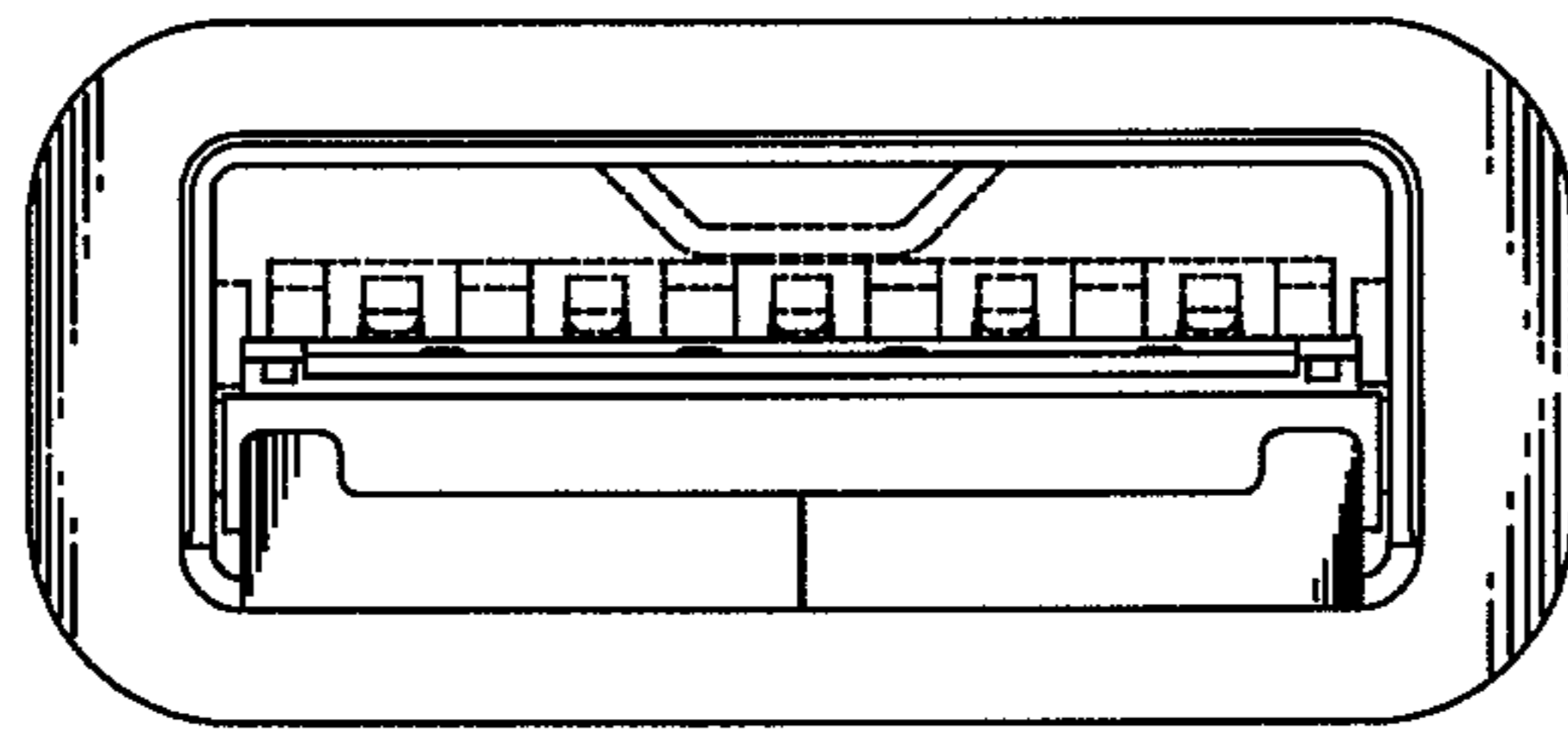


FIG. 2

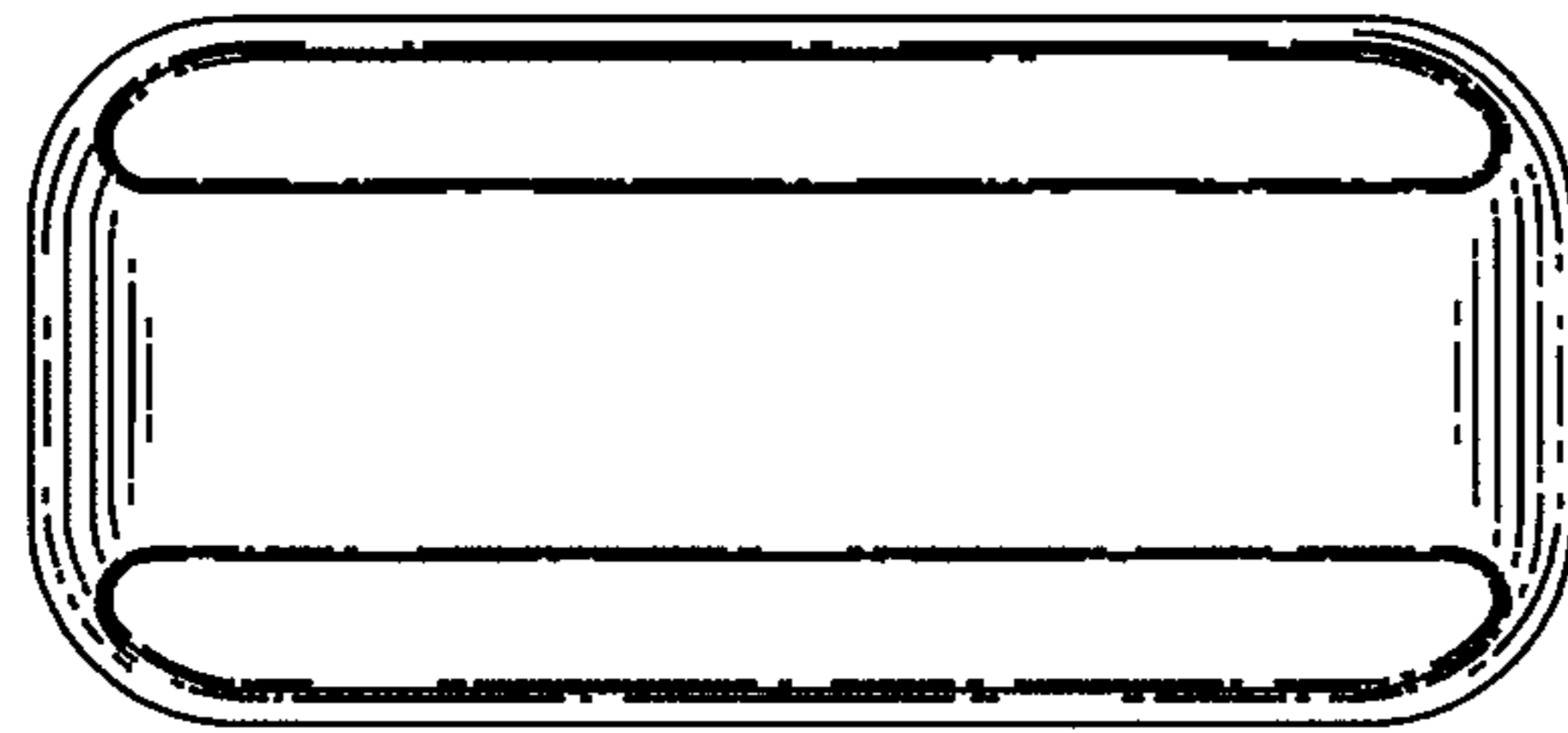


FIG. 3

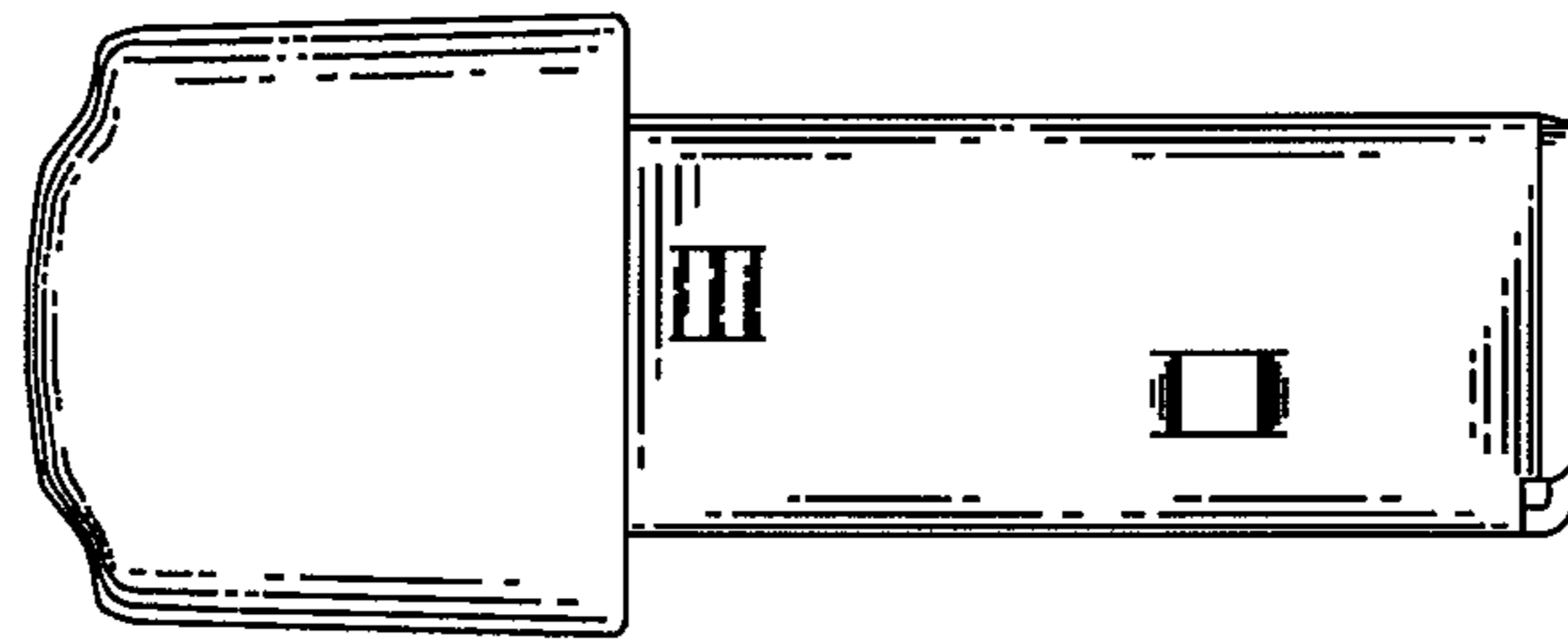


FIG. 4

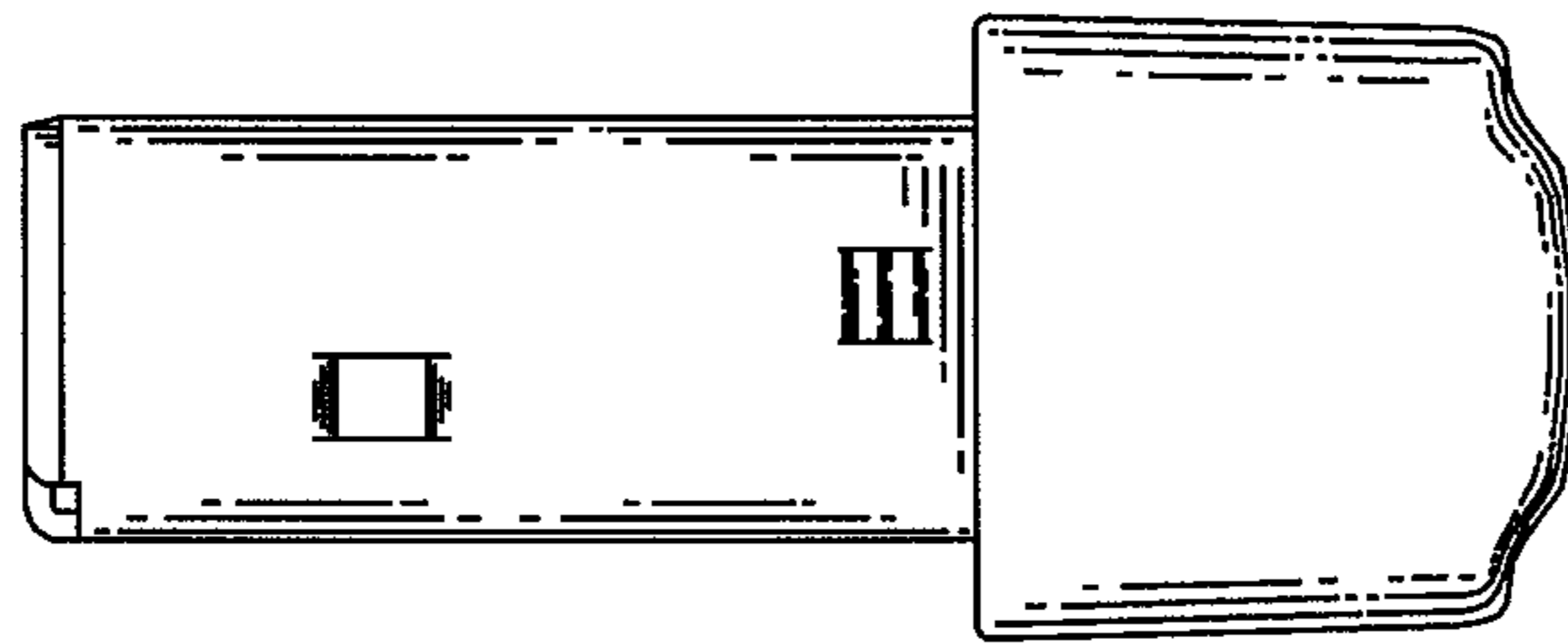


FIG. 5

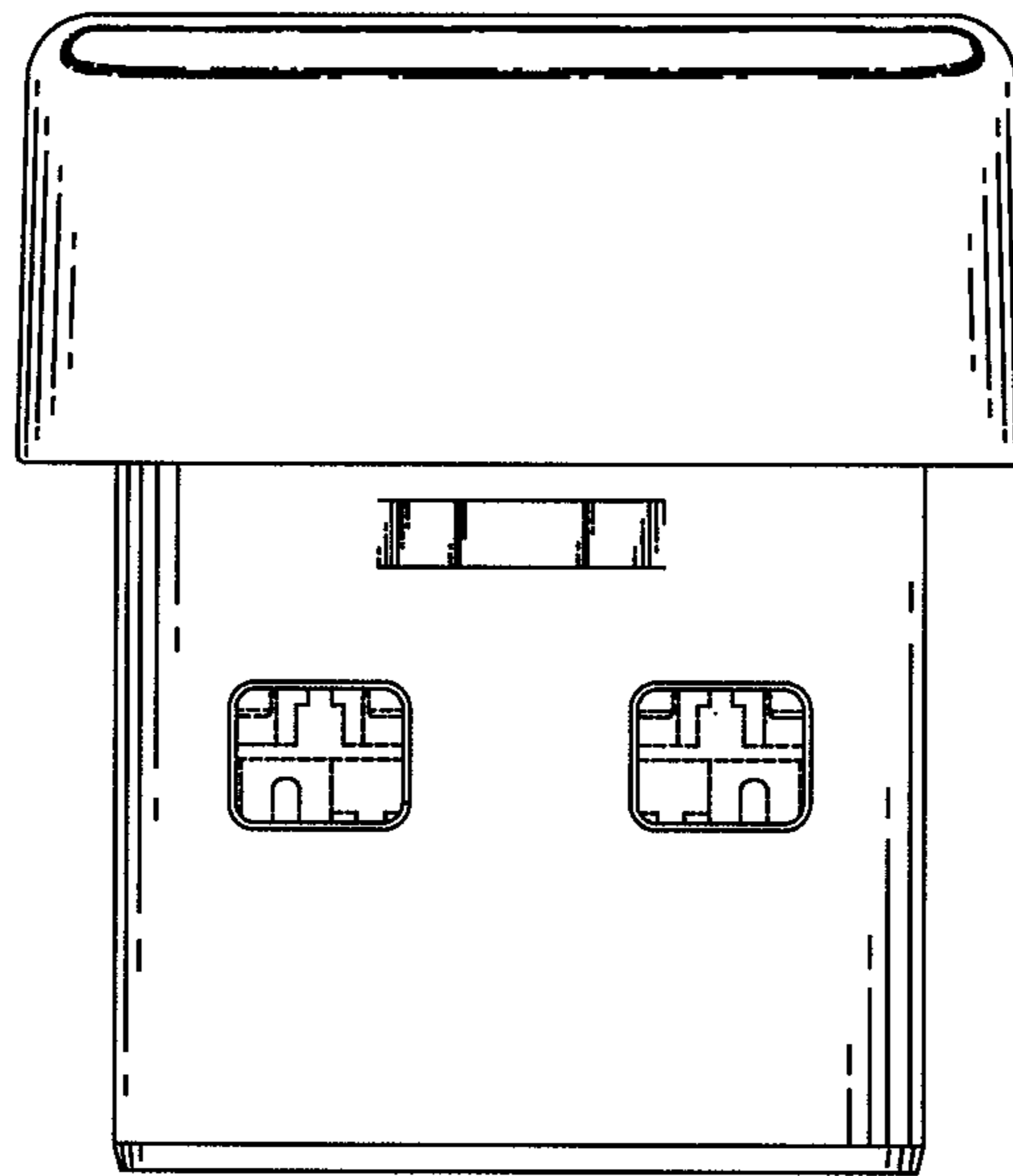


FIG. 6

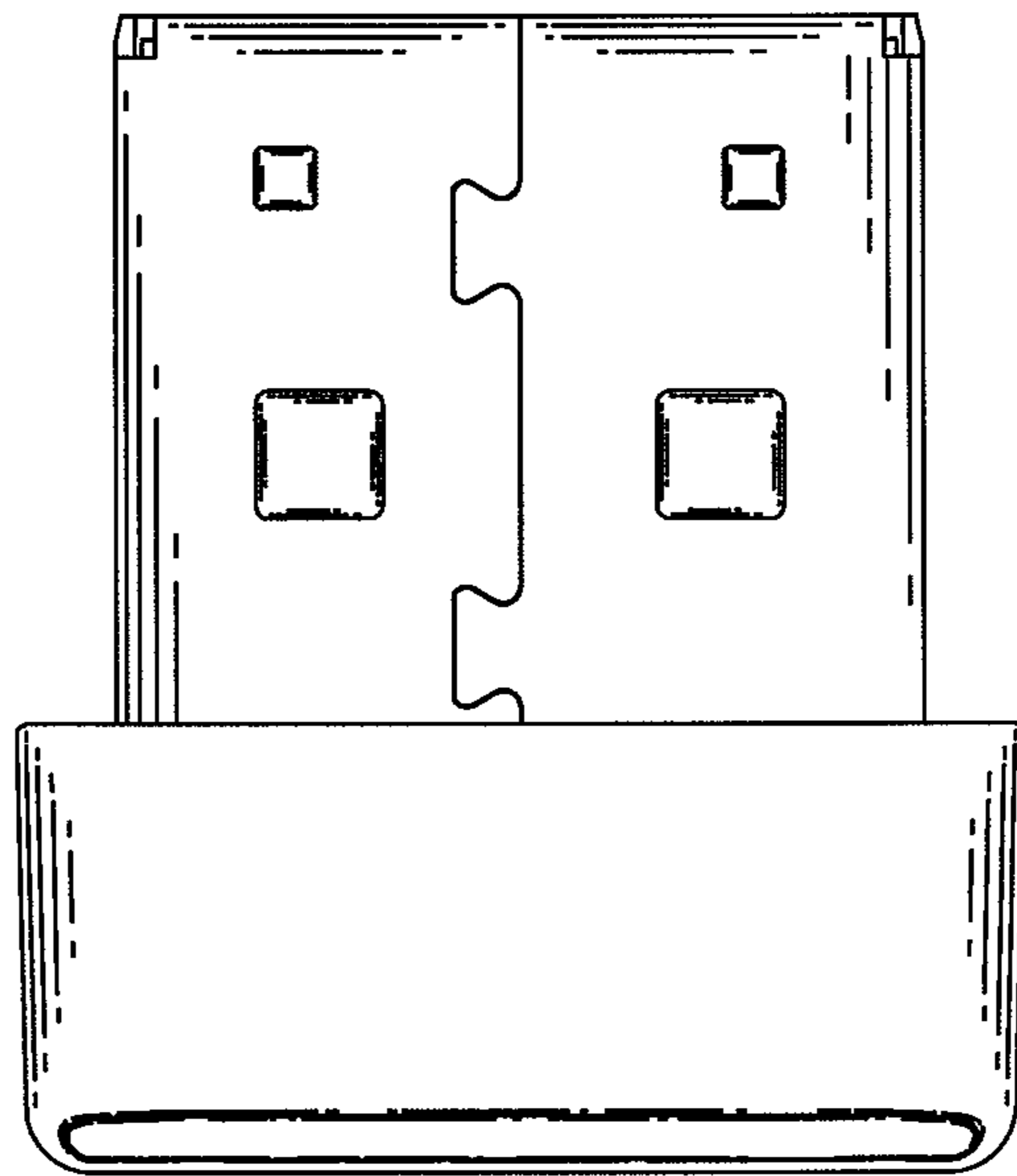


FIG. 7