



US00D703679S

(12) **United States Design Patent**  
**Chen**

(10) **Patent No.:** **US D703,679 S**

(45) **Date of Patent:** **\*\* Apr. 29, 2014**

(54) **FLASH DRIVE**

(71) Applicant: **Power Quotient International Co., Ltd.**, New Taipei (TW)

(72) Inventor: **Ya-Fen Chen**, New Taipei (TW)

(73) Assignee: **Power Quotient International Co., Ltd.**, New Taipei (TW)

(\*\*) Term: **14 Years**

(21) Appl. No.: **29/466,256**

(22) Filed: **Sep. 5, 2013**

(51) **LOC (10) Cl.** ..... **14-02**

(52) **U.S. Cl.**  
USPC ..... **D14/480.1**

(58) **Field of Classification Search**  
USPC ..... D14/411, 433, 435.1, 436, 480.1-480.7,  
D14/484.1, 137, 155, 203.1-203.8, 240;  
D13/133, 154; 710/300-301; 439/131,  
439/135-147

See application file for complete search history.

(56) **References Cited**

**U.S. PATENT DOCUMENTS**

D512,434	S	*	12/2005	Hioki	.....	D14/484.1
D576,619	S	*	9/2008	Udagawa et al.	.....	D14/435.1
D648,726	S	*	11/2011	Behar et al.	.....	D14/435.1
8,061,608	B2	*	11/2011	Liao et al.	.....	235/439
8,120,903	B2	*	2/2012	Lin et al.	.....	361/679.4
D665,754	S	*	8/2012	Cobbett et al.	.....	D13/147
8,305,750	B2	*	11/2012	Hsieh	.....	361/679.33

D674,755	S	*	1/2013	Suzuki	.....	D13/147
D685,382	S	*	7/2013	Anderson et al.	.....	D14/480.5
D685,383	S	*	7/2013	Anderson et al.	.....	D14/480.5
D688,651	S	*	8/2013	Daniel	.....	D14/240
D692,427	S	*	10/2013	Janson	.....	D14/388
2012/0069518	A1	*	3/2012	Hsu et al.	.....	361/679.58

**OTHER PUBLICATIONS**

Silicon Power T01 32GB 32G USB Flash Drive Touch Nano Disk Mobile Tablet Metal items in 2ronz store on eBay!, [online], [retrieved on Mar. 26, 2013]. Retrieved from the Internet <URL: [http://stores.ebay.com/2ronz/USB-Flash-Drive/\\_i.html?\\_\\_fsb=216710013](http://stores.ebay.com/2ronz/USB-Flash-Drive/_i.html?__fsb=216710013)>.\*

\* cited by examiner

*Primary Examiner* — Karen E Kearney

(74) *Attorney, Agent, or Firm* — Muncy, Geissler, Olds & Lowe, P.C.

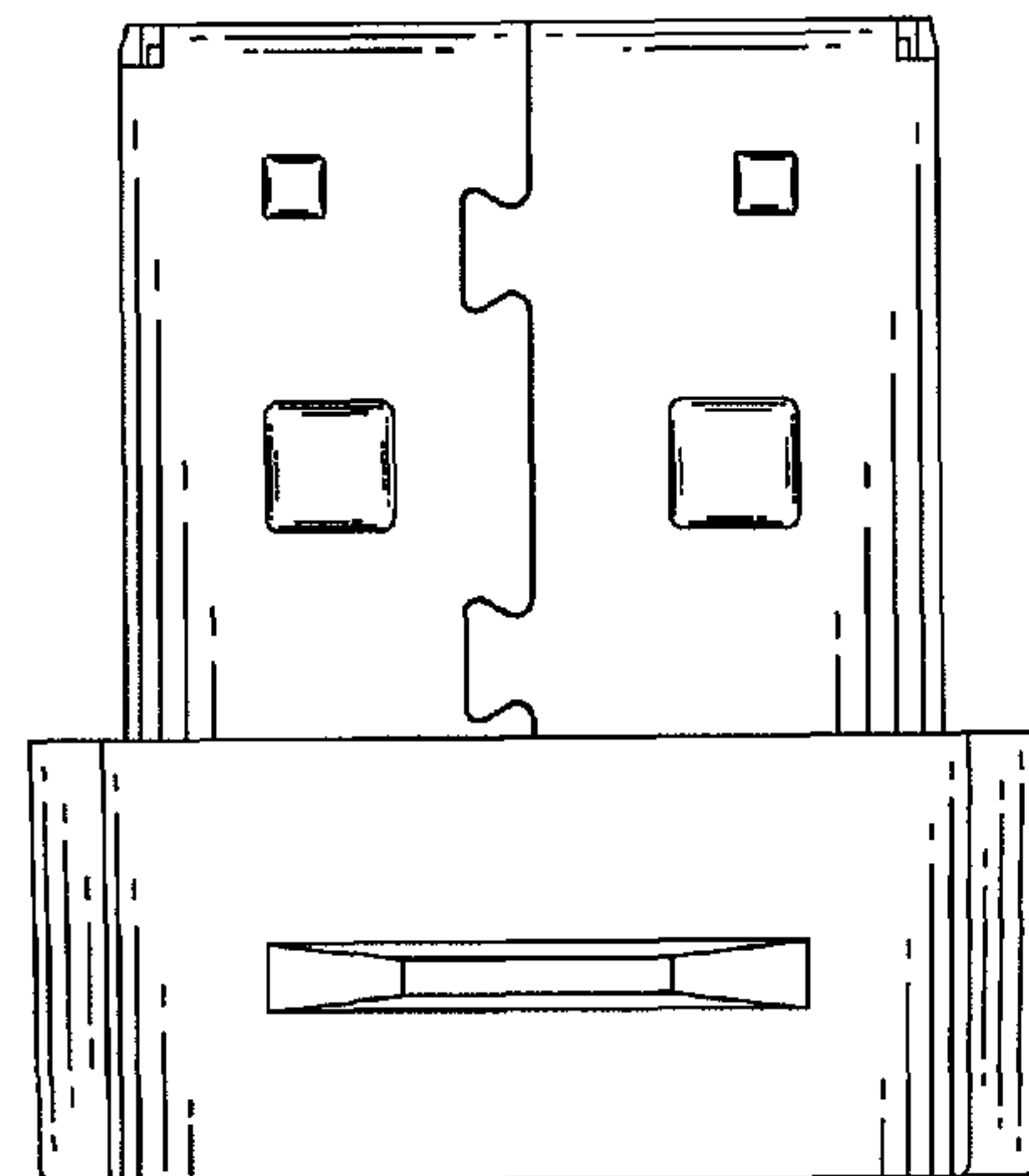
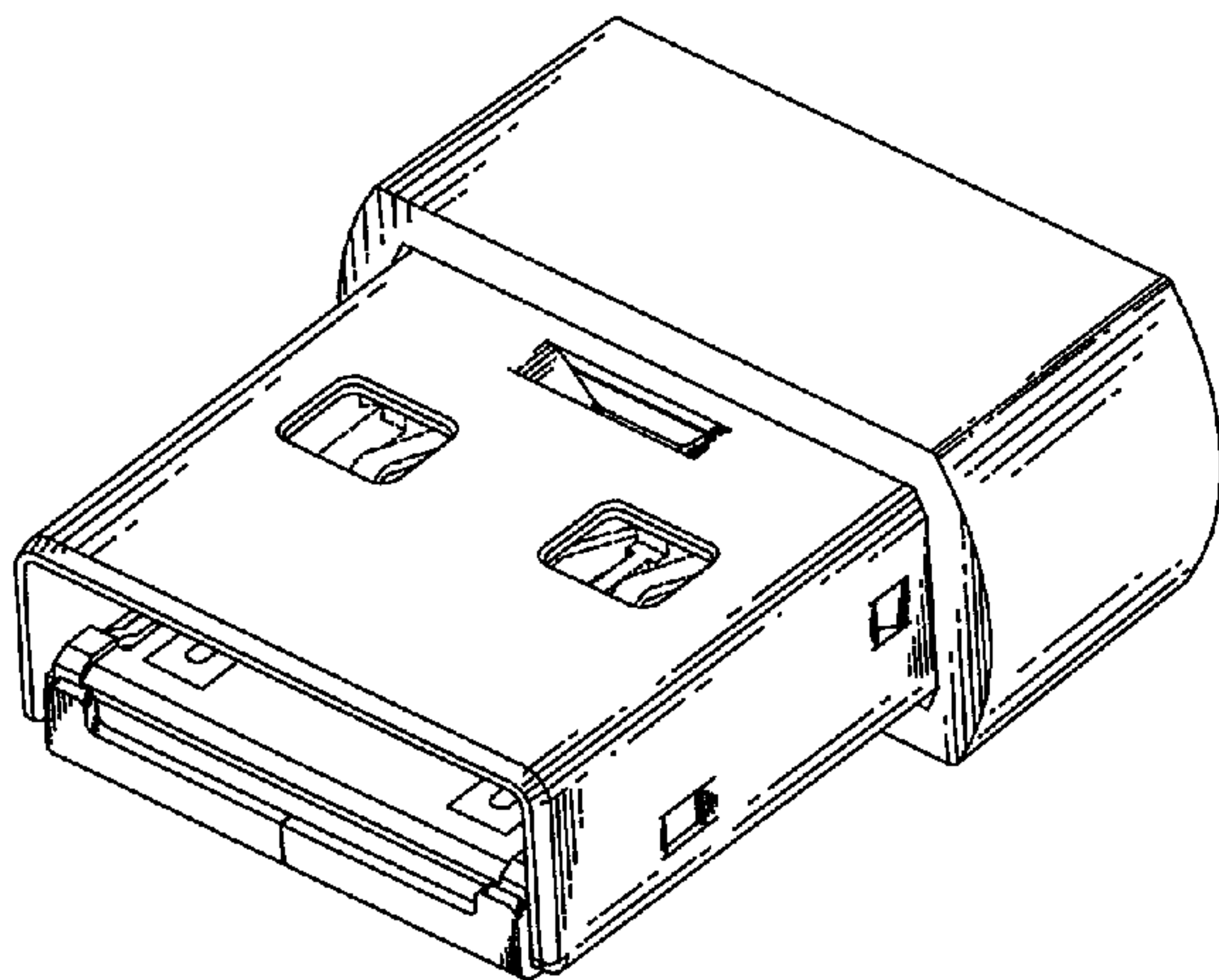
(57) **CLAIM**

The ornamental design for a flash drive, as shown and described.

**DESCRIPTION**

FIG. 1 is a perspective view of a flash drive showing my new design;  
FIG. 2 is a front elevational view thereof;  
FIG. 3 is a rear elevational view thereof;  
FIG. 4 is a left side elevational view thereof;  
FIG. 5 is a right side elevational view thereof;  
FIG. 6 is a top plan view thereof; and,  
FIG. 7 is a bottom plan view thereof.

**1 Claim, 7 Drawing Sheets**



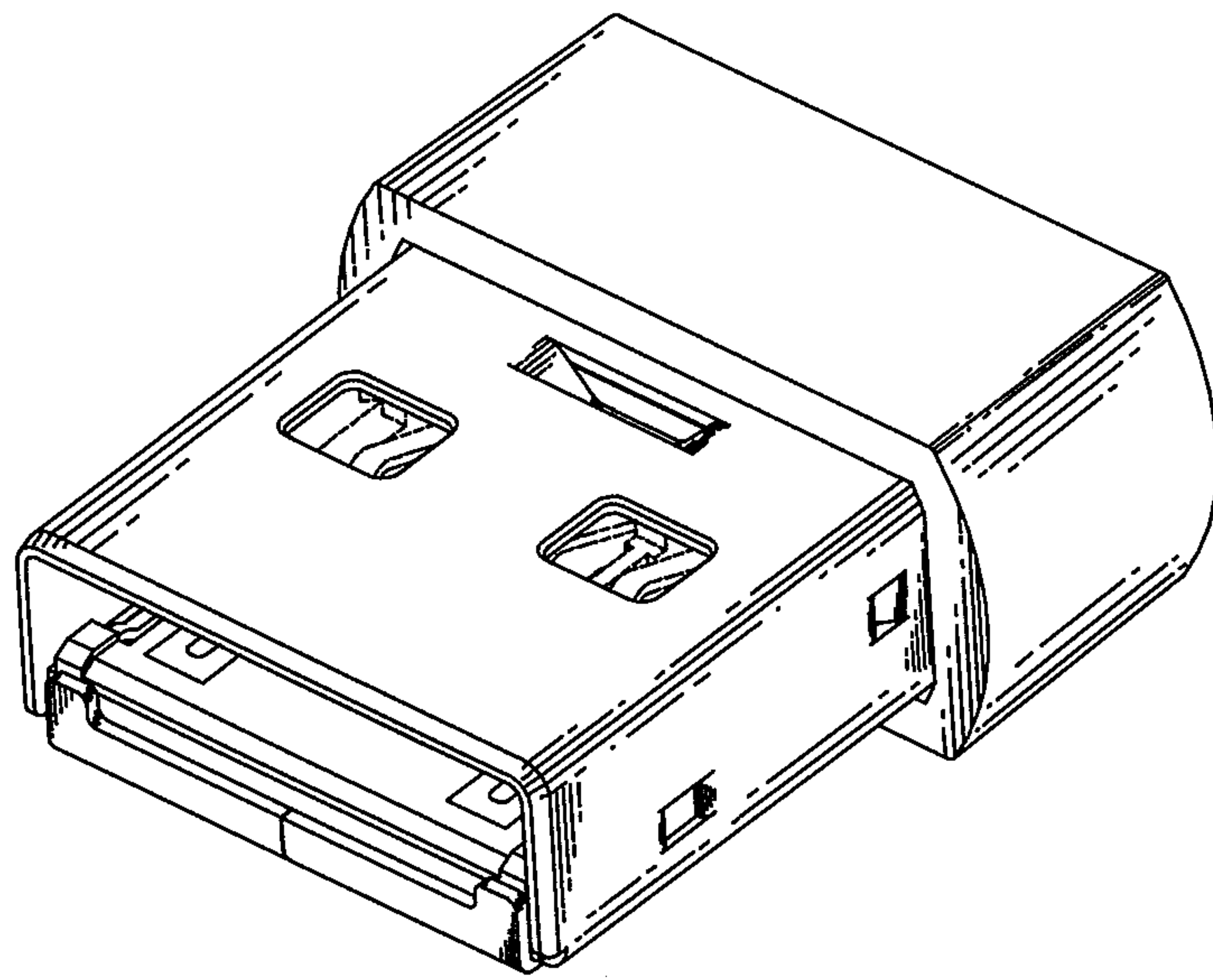


FIG. 1

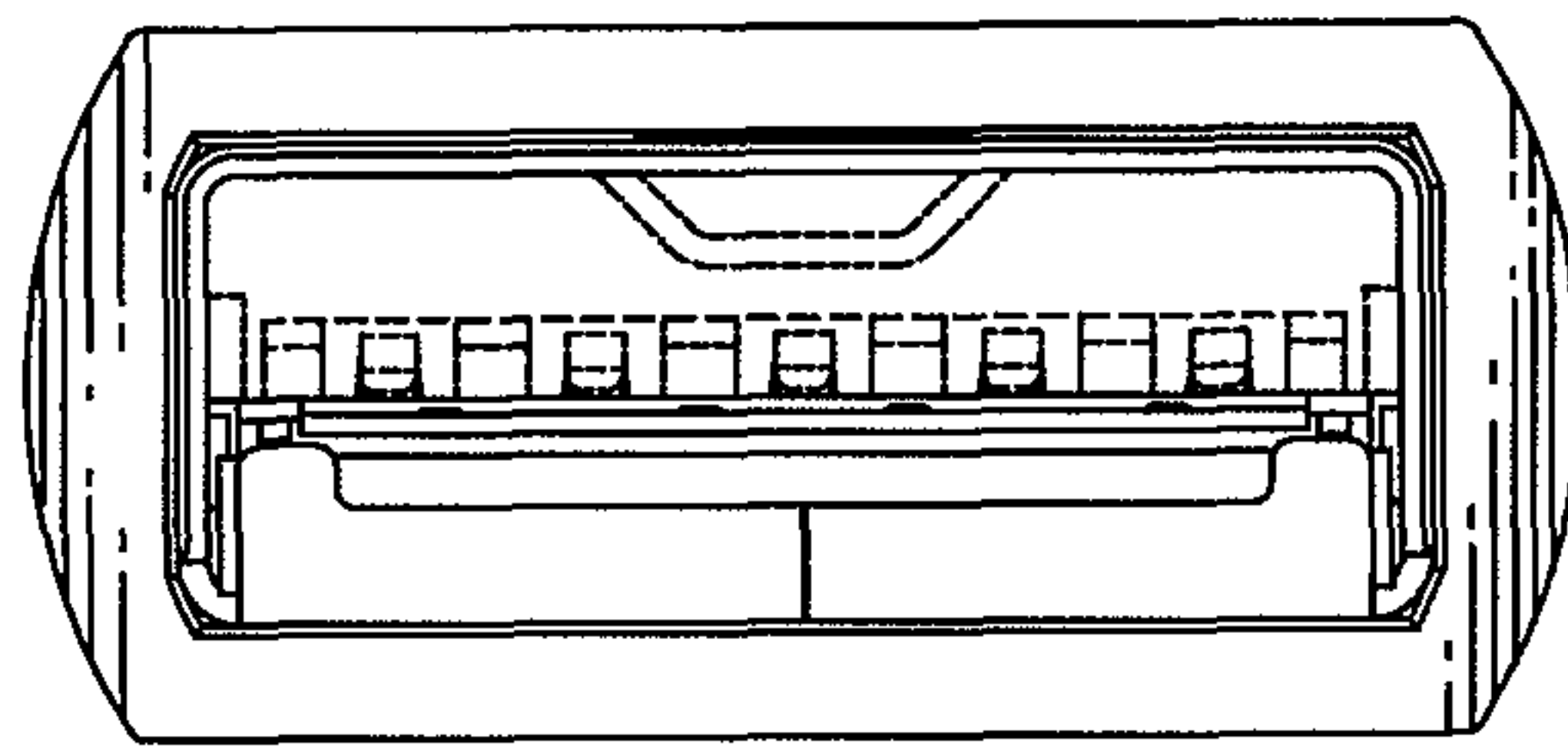


FIG. 2



FIG. 3

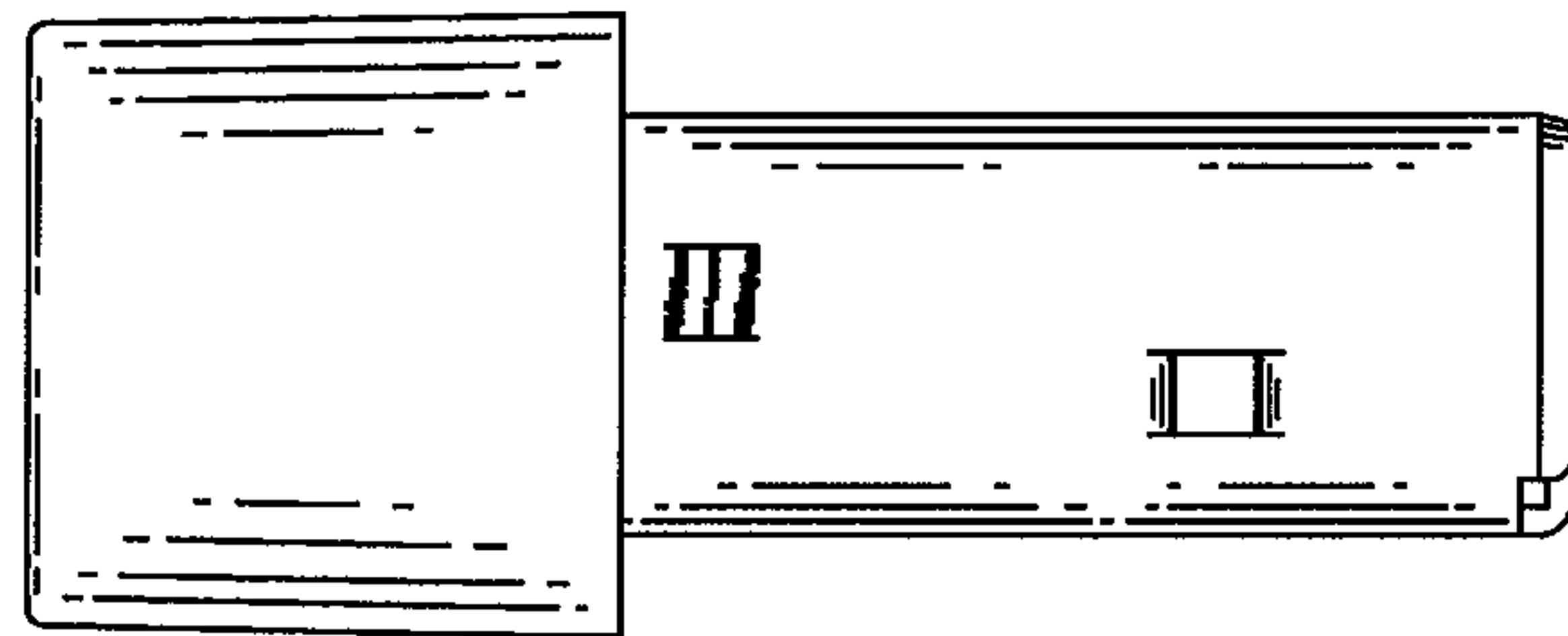


FIG. 4

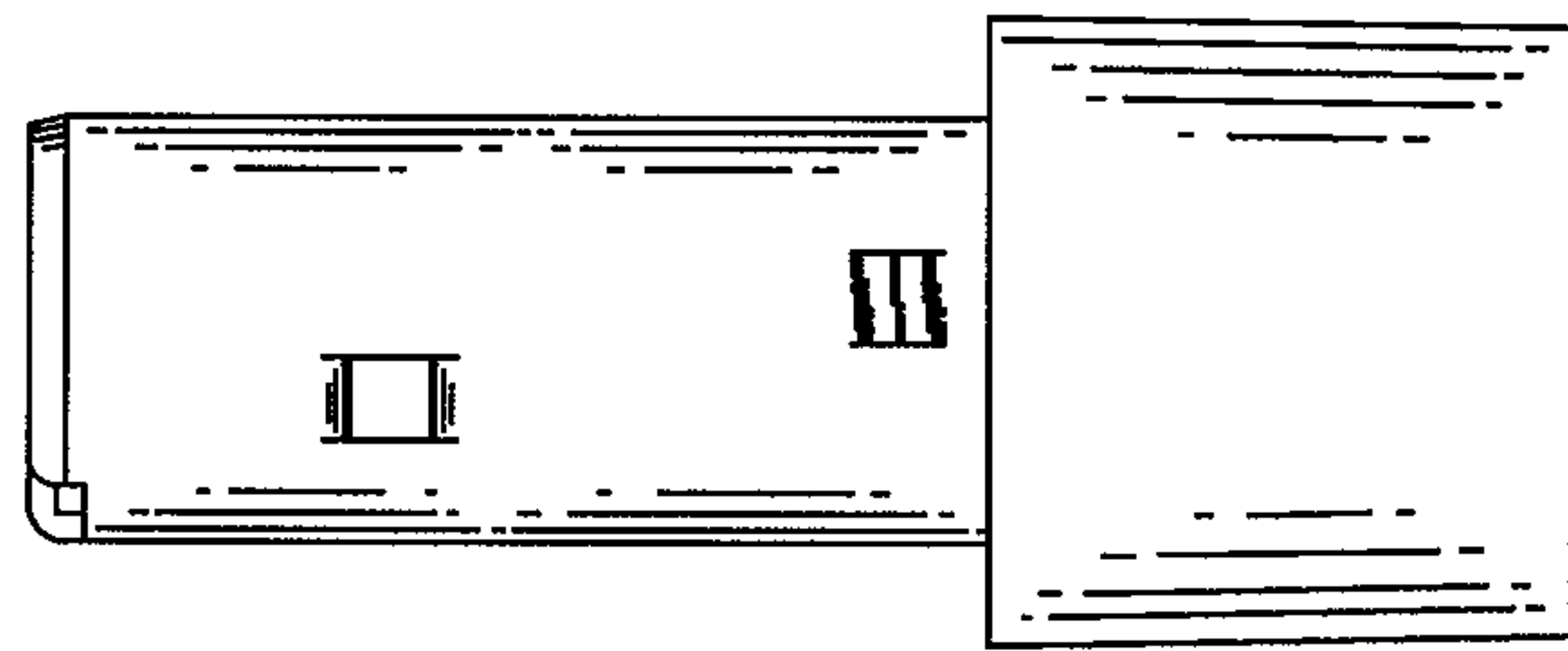


FIG. 5

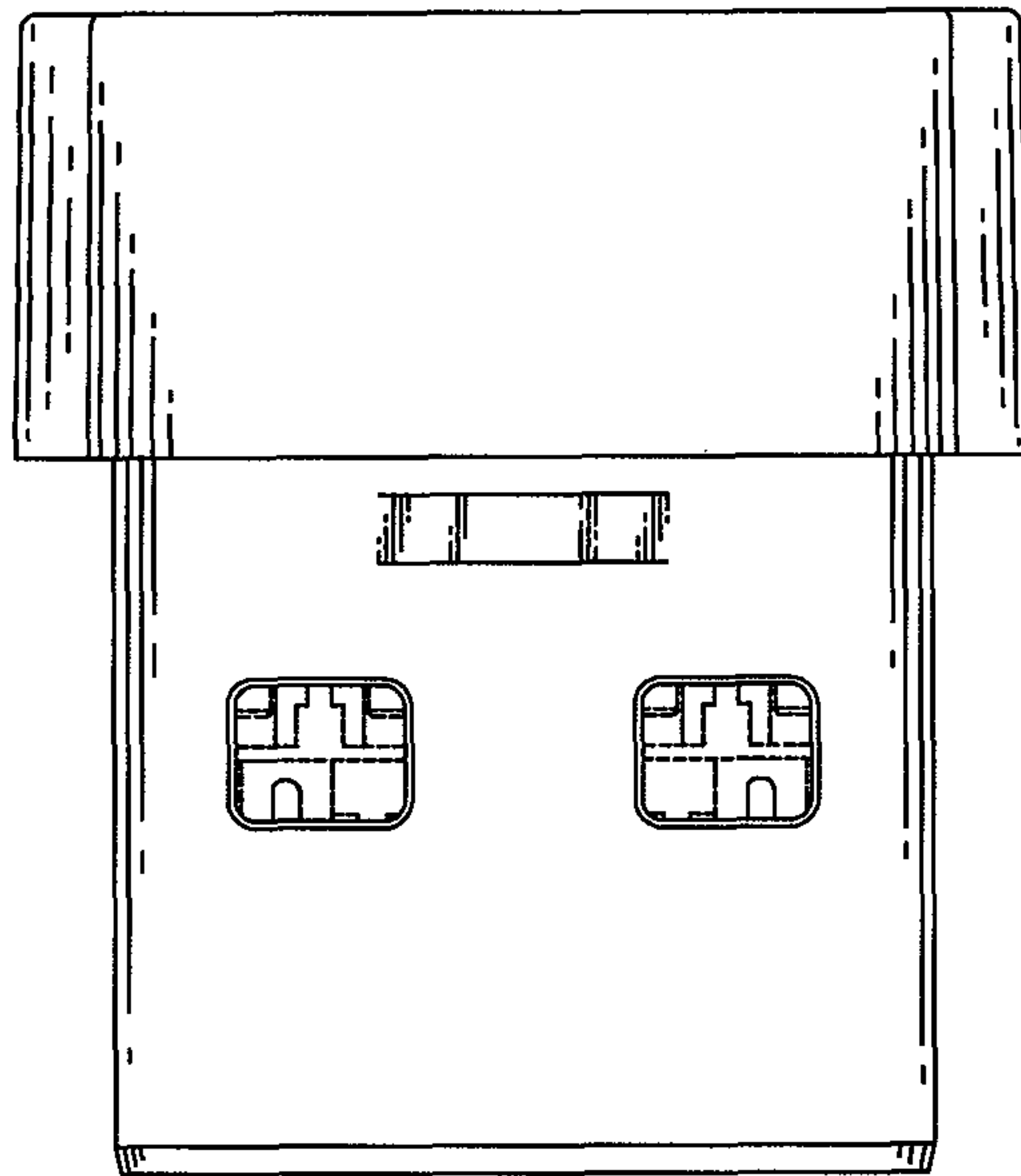


FIG. 6

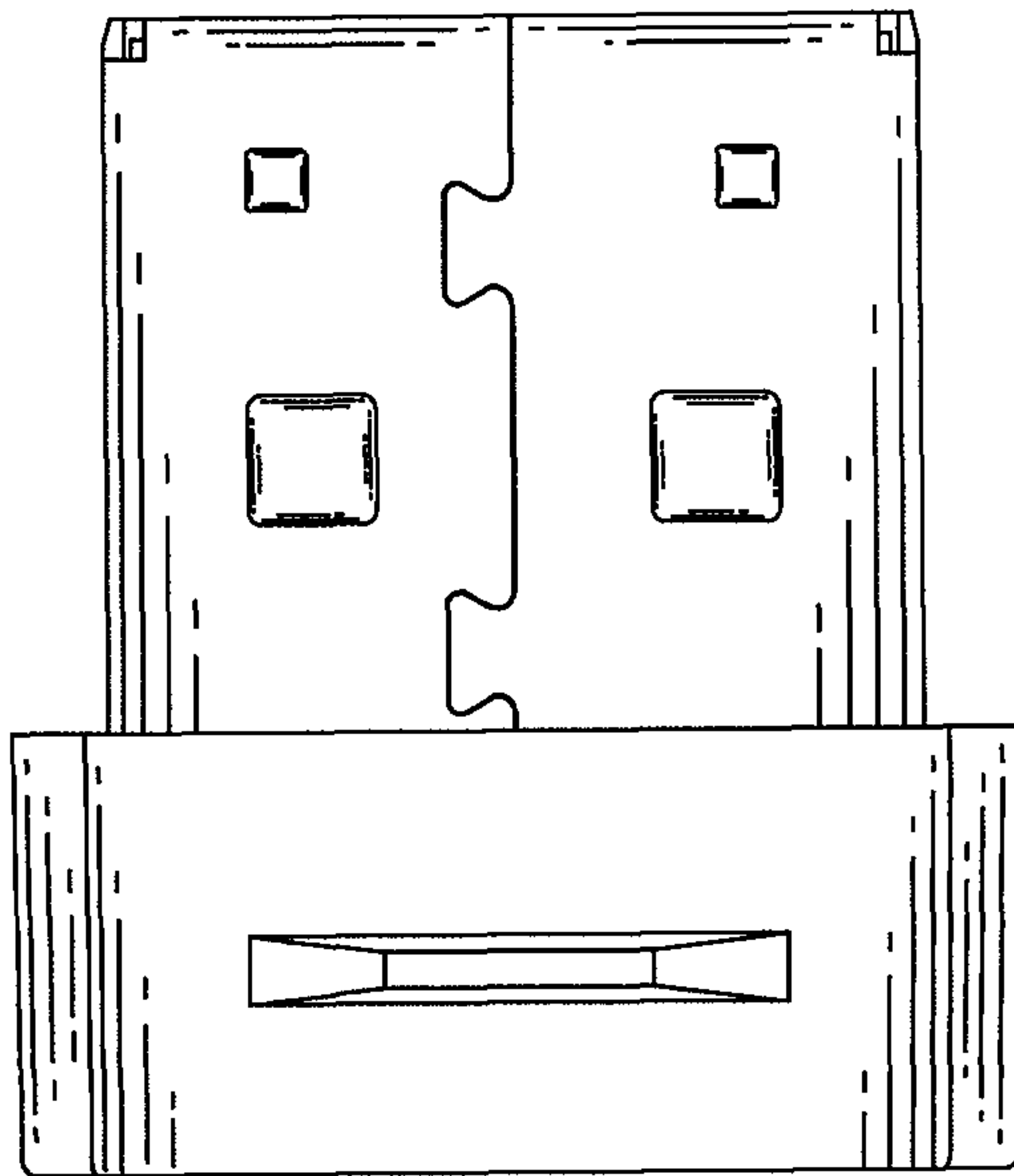


FIG. 7