



US00D703678S

(12) **United States Design Patent**  
**Shubin, Sr.**

(10) **Patent No.:** **US D703,678 S**

(45) **Date of Patent:** **\*\* Apr. 29, 2014**

(54) **LEG MOUNTED PORTABLE COMPUTER**

(71) Applicant: **Steven A. Shubin, Sr.**, Drippings Springs, TX (US)

(72) Inventor: **Steven A. Shubin, Sr.**, Drippings Springs, TX (US)

(\*\*) Term: **14 Years**

(21) Appl. No.: **29/467,240**

(22) Filed: **Sep. 17, 2013**

(51) **LOC (10) Cl.** ..... **08-07**

(52) **U.S. Cl.**  
USPC ..... **D14/447**

(58) **Field of Classification Search**  
USPC ..... D14/447, 451, 457, 432, 434, 439, 440, D14/217, 238.1, 250, 251, 253; D6/406.1, D6/406.2, 406.3, 406.4, 406.5, 406.6; D12/415; D13/108, 110; D8/363; D21/333; 248/917-924, 133, 136, 139, 248/150, 176.1, 188.6, 444; 361/679.09, 361/679.21, 679.22, 679.24, 679.26, 361/679.27, 679.28, 679.3, 679.55, 679.56, 361/709

See application file for complete search history.

(56) **References Cited**

**U.S. PATENT DOCUMENTS**

5,263,423	A	*	11/1993	Anderson	.....	108/43
5,937,765	A	*	8/1999	Stirling	.....	108/43
D592,188	S	*	5/2009	Huang	.....	D14/217
D646,315	S	*	10/2011	Orf	.....	D16/242
D654,054	S	*	2/2012	Kohte et al.	.....	D14/217
D658,168	S	*	4/2012	Werth	.....	D14/253
D669,481	S	*	10/2012	Prescott et al.	.....	D14/447

D671,950	S	*	12/2012	Richter	.....	D14/447
D673,032	S	*	12/2012	Tak et al.	.....	D8/395
D674,398	S	*	1/2013	Whittington	.....	D14/447
D690,306	S	*	9/2013	Malisse et al.	.....	D14/447
D693,352	S	*	11/2013	Gelsomini et al.	.....	D14/447
D693,824	S	*	11/2013	Erdfarb	.....	D14/447

\* cited by examiner

*Primary Examiner* — Angela J Lee

(74) *Attorney, Agent, or Firm* — Conley Rose, P.C.

(57) **CLAIM**

The ornamental design for a leg mounted portable computer, as shown and described.

**DESCRIPTION**

FIG. 1 is a perspective view of a leg mounted portable computer holder with the clamp in an open configuration;  
 FIG. 2 is a side-elevation view of the leg mounted portable computer holder;  
 FIG. 3 is a second side-elevation view of the leg mounted portable computer holder;  
 FIG. 4 is a front-elevation view of the leg mounted portable computer holder in the open configuration;  
 FIG. 5 is a back-elevation view of the leg mounted portable computer holder;  
 FIG. 6 is an overhead view of the leg mounted portable computer holder;  
 FIG. 7 is a bottom view of the leg mounted portable computer holder; and,  
 FIG. 8 is a side-elevation of the leg mounted portable computer holder with the clamp in a closed configuration.  
 The broken lines shown in the drawings represent a portable computer and form no part of the claimed design.

**1 Claim, 8 Drawing Sheets**

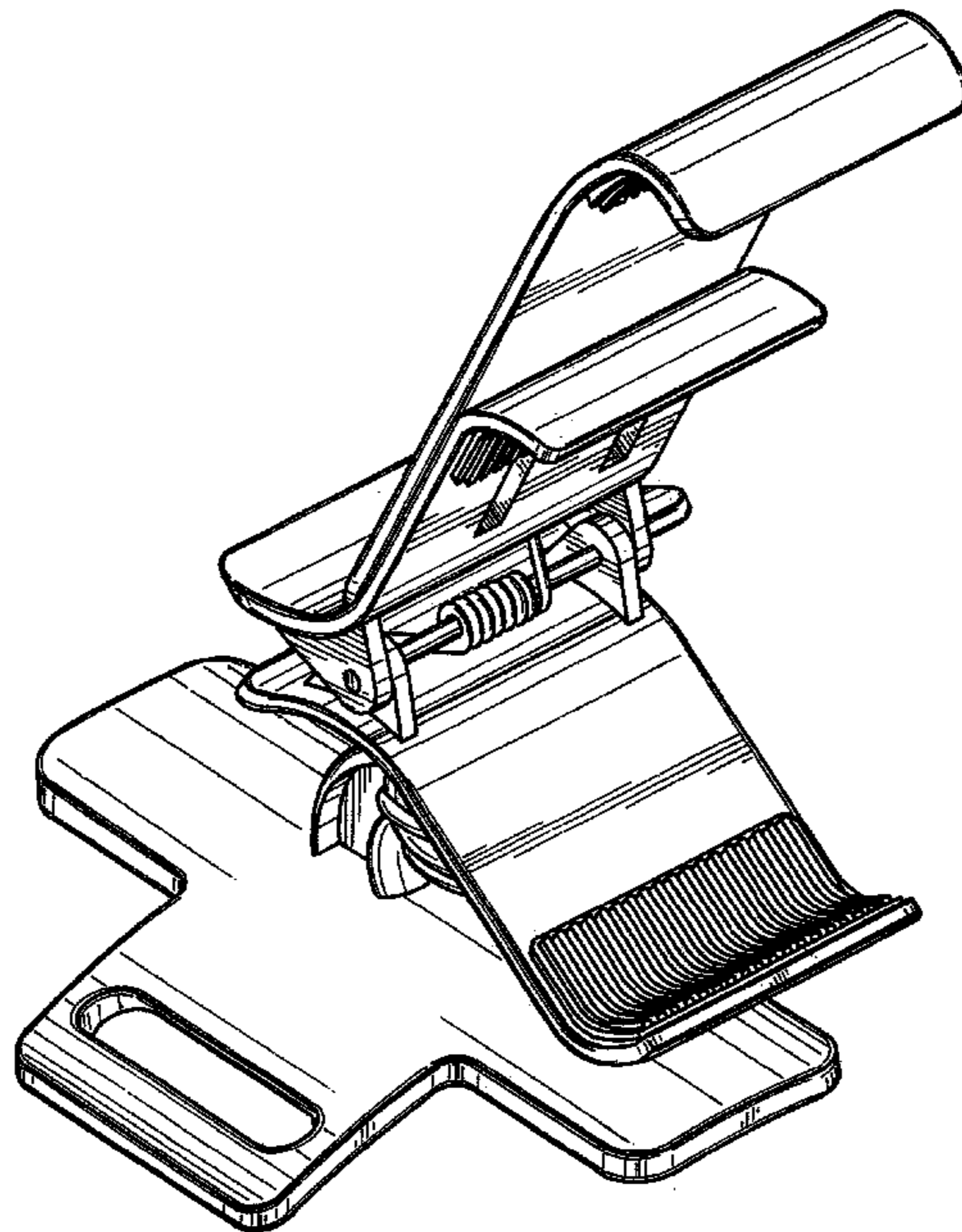


FIG. 1

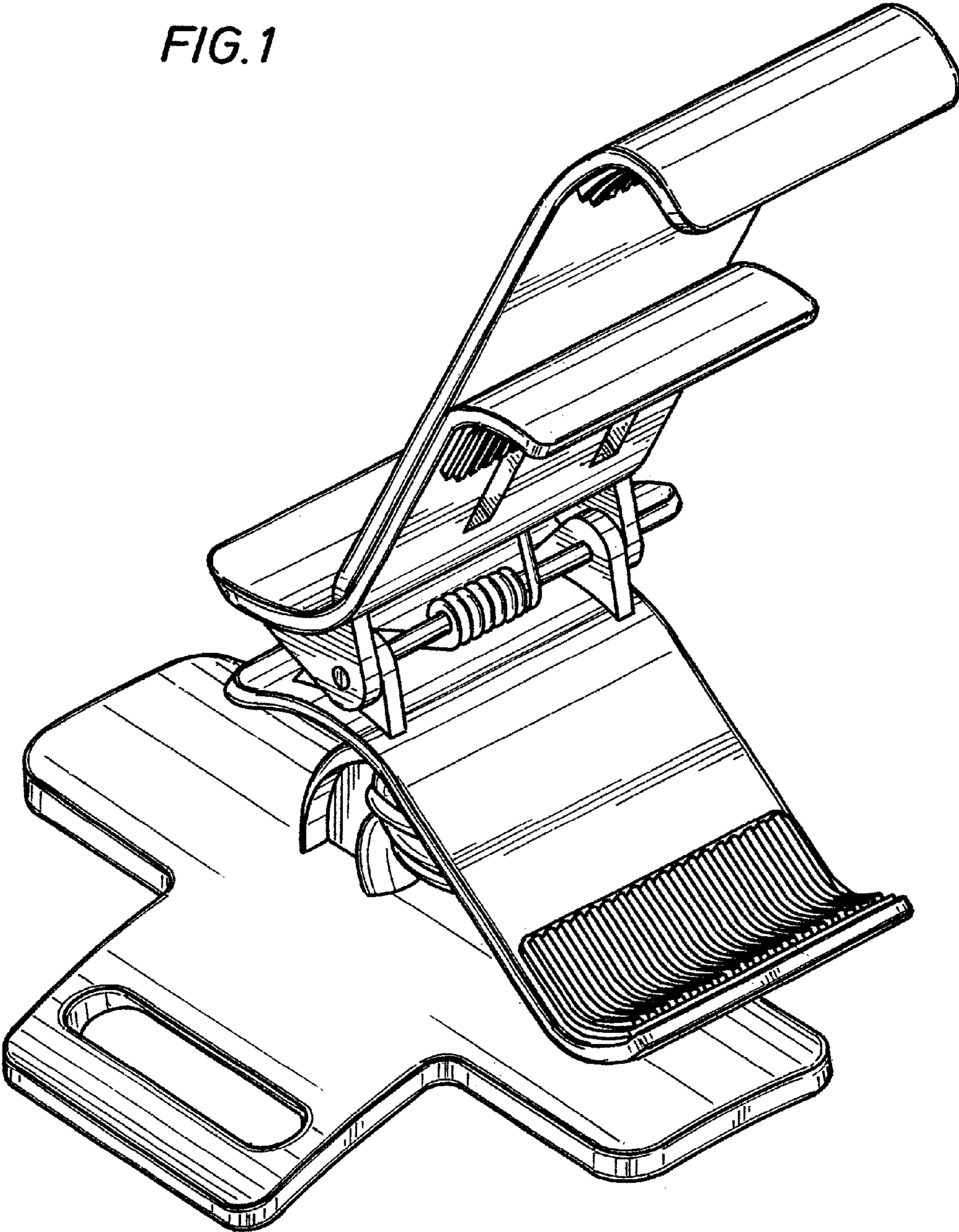
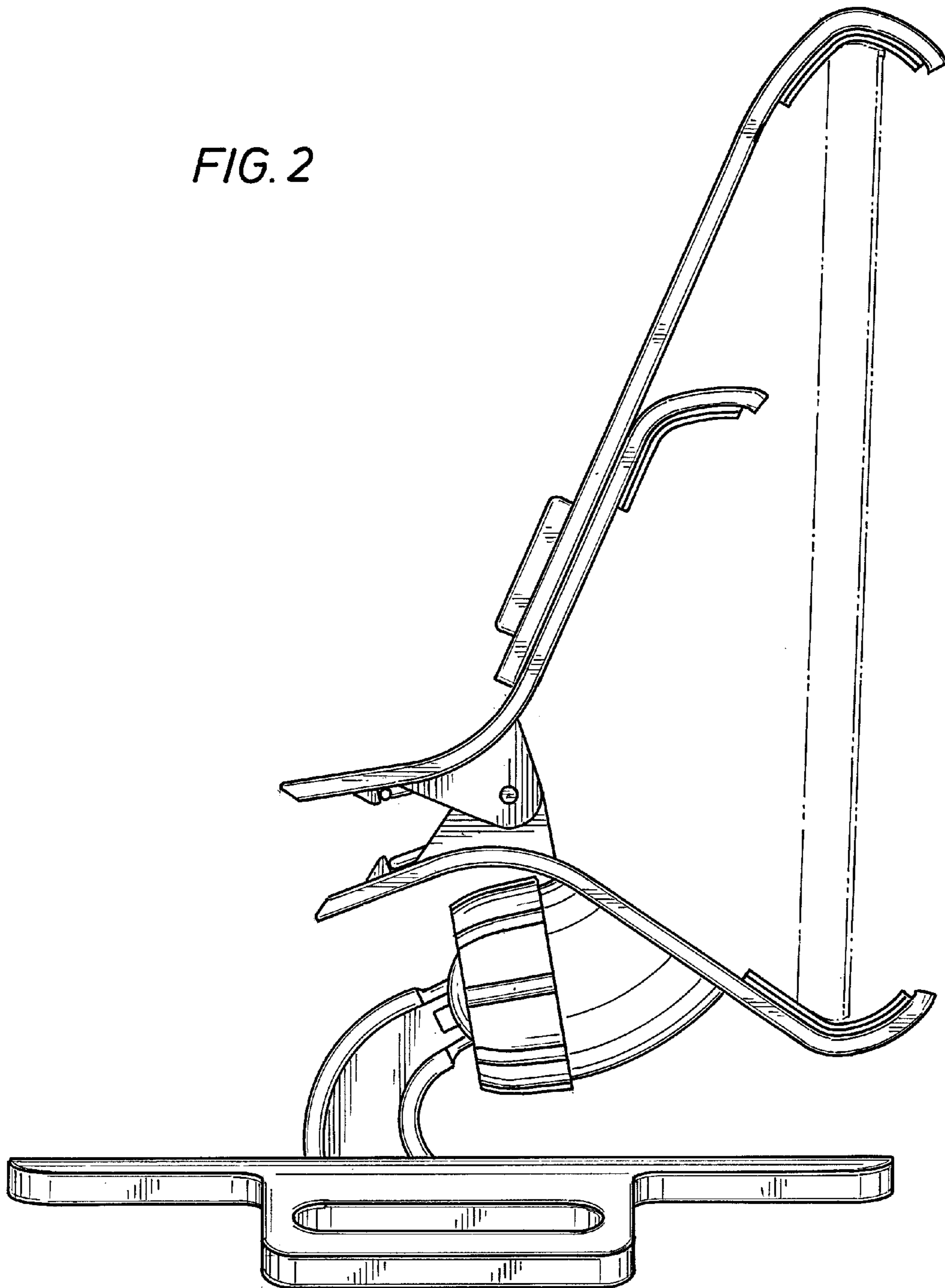
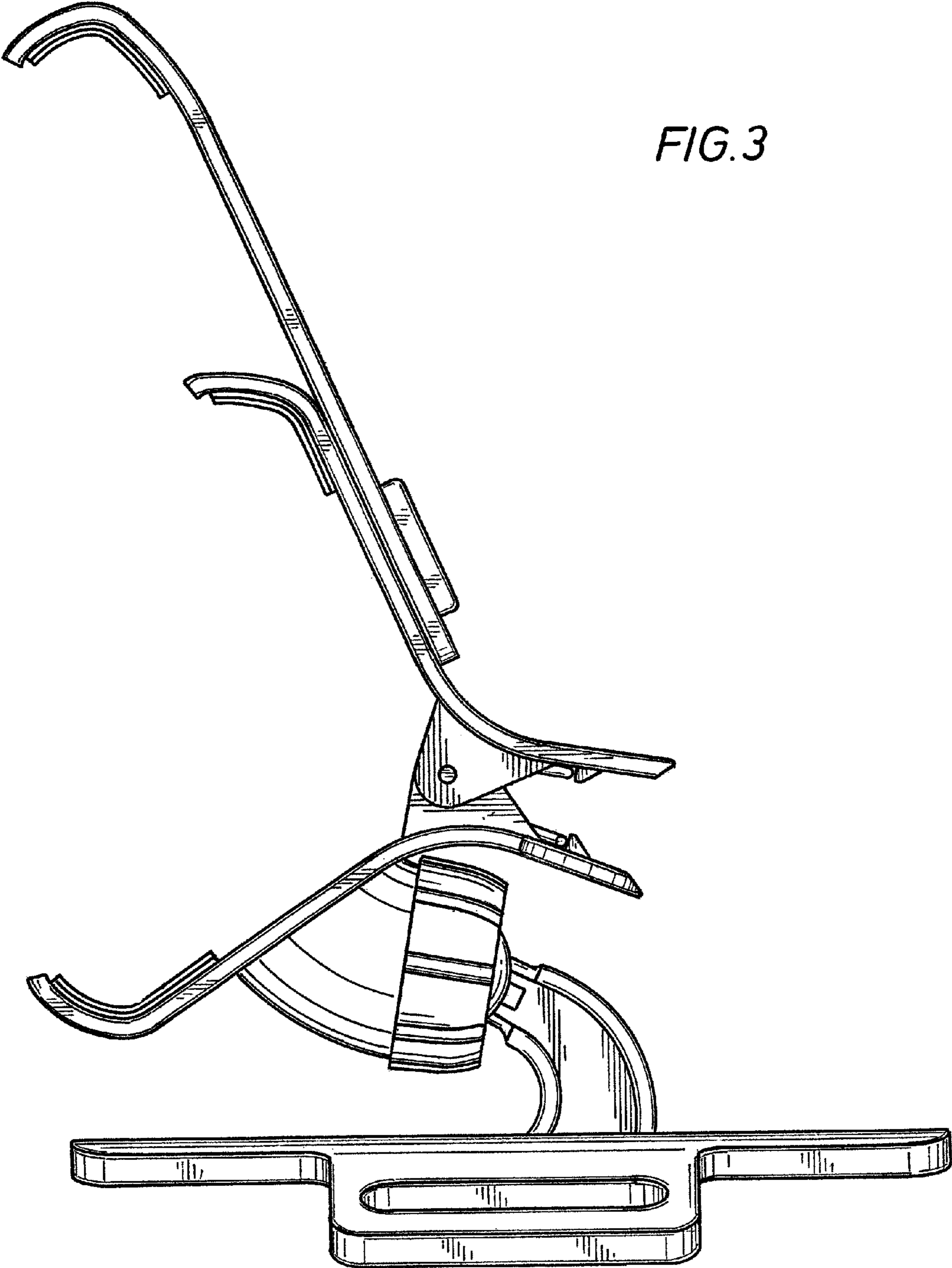


FIG. 2





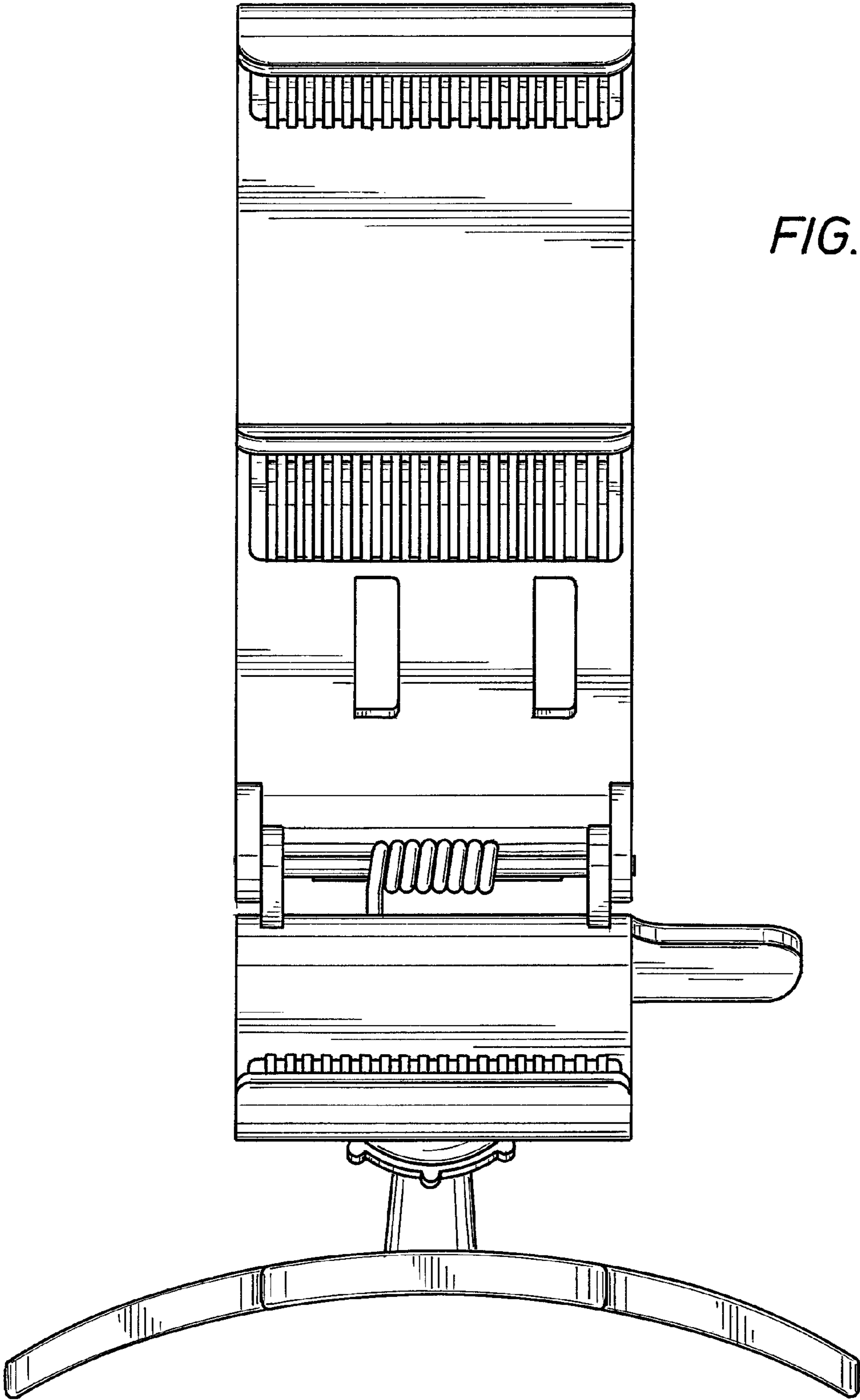


FIG. 4

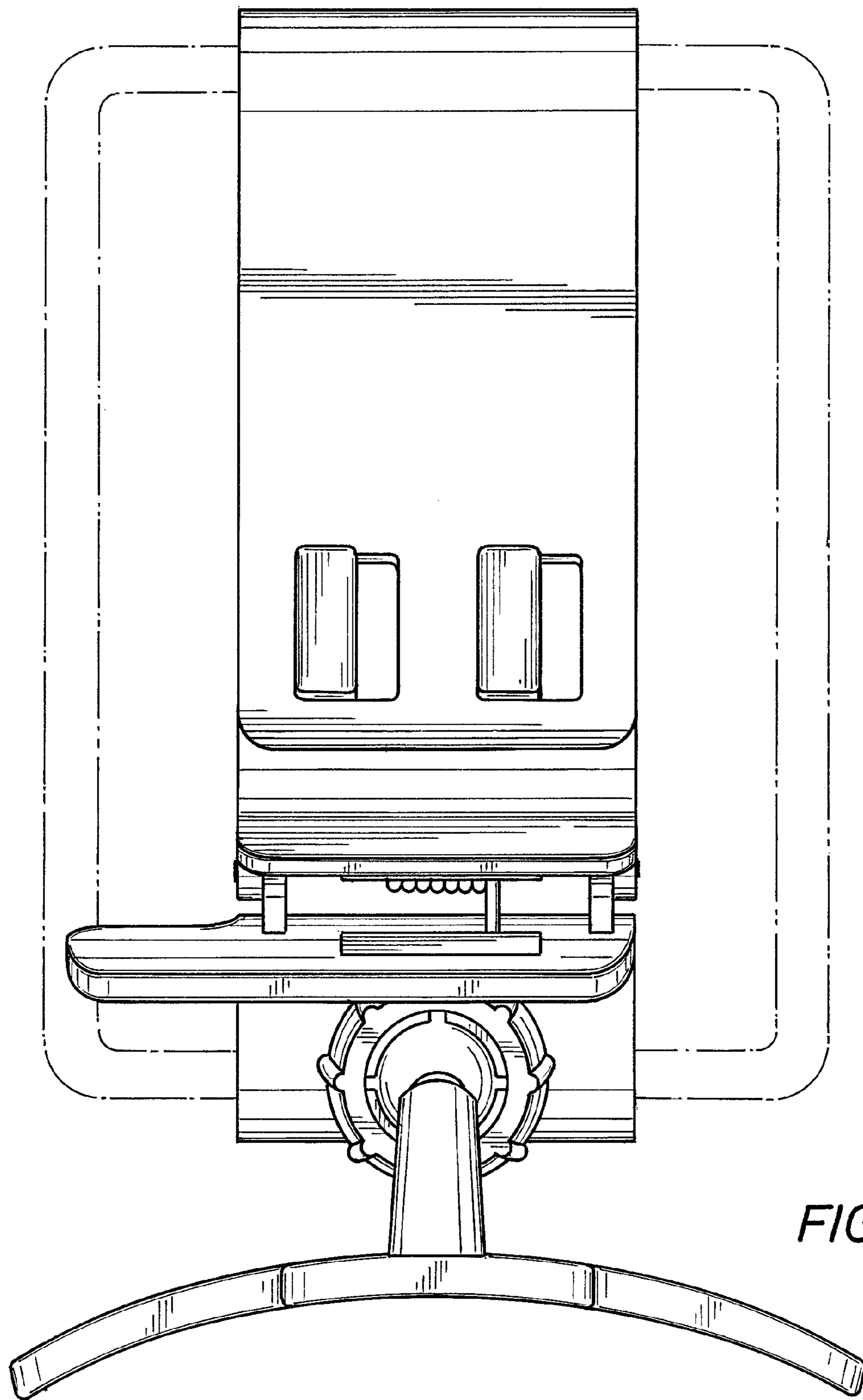


FIG. 5

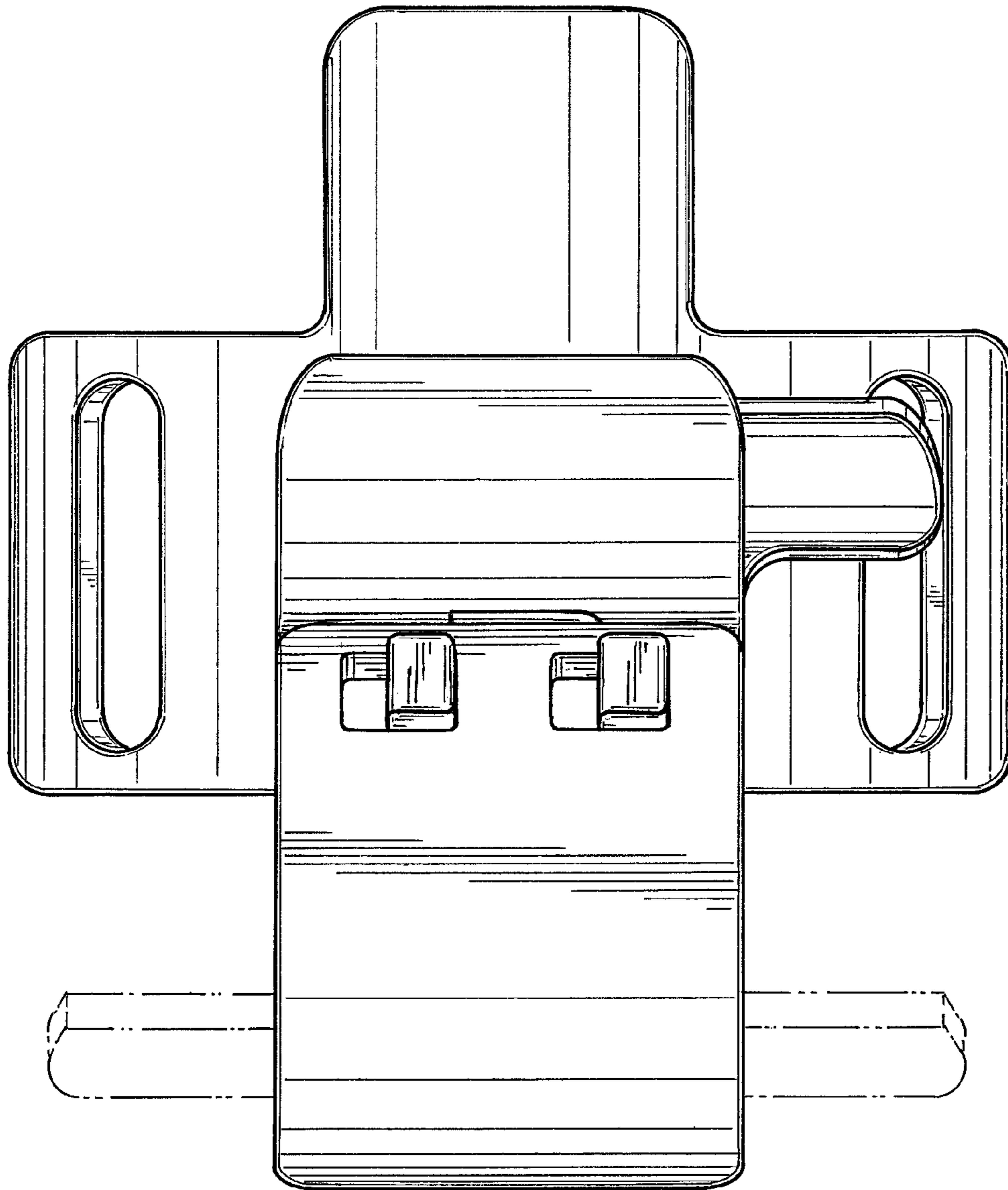


FIG. 6

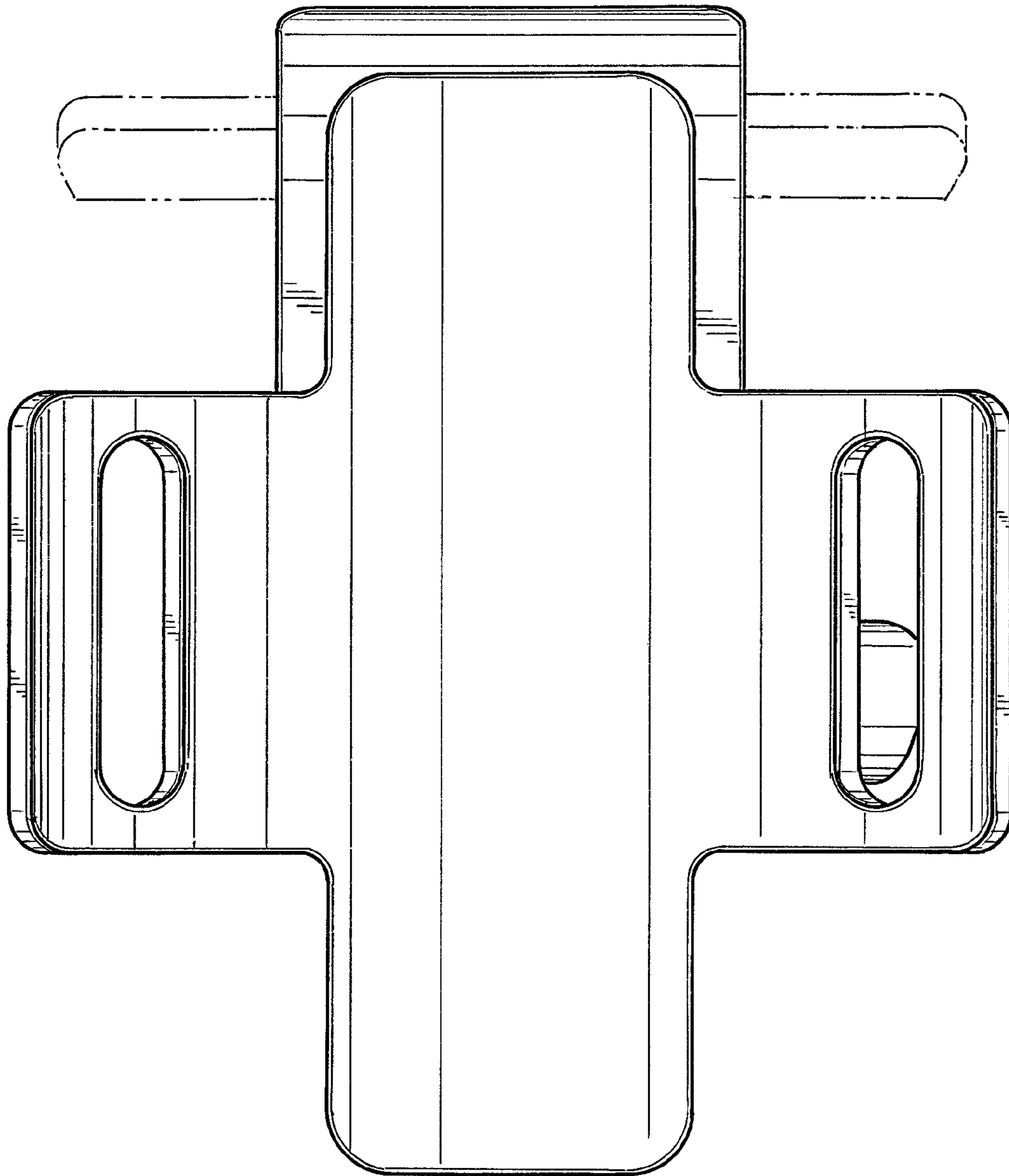
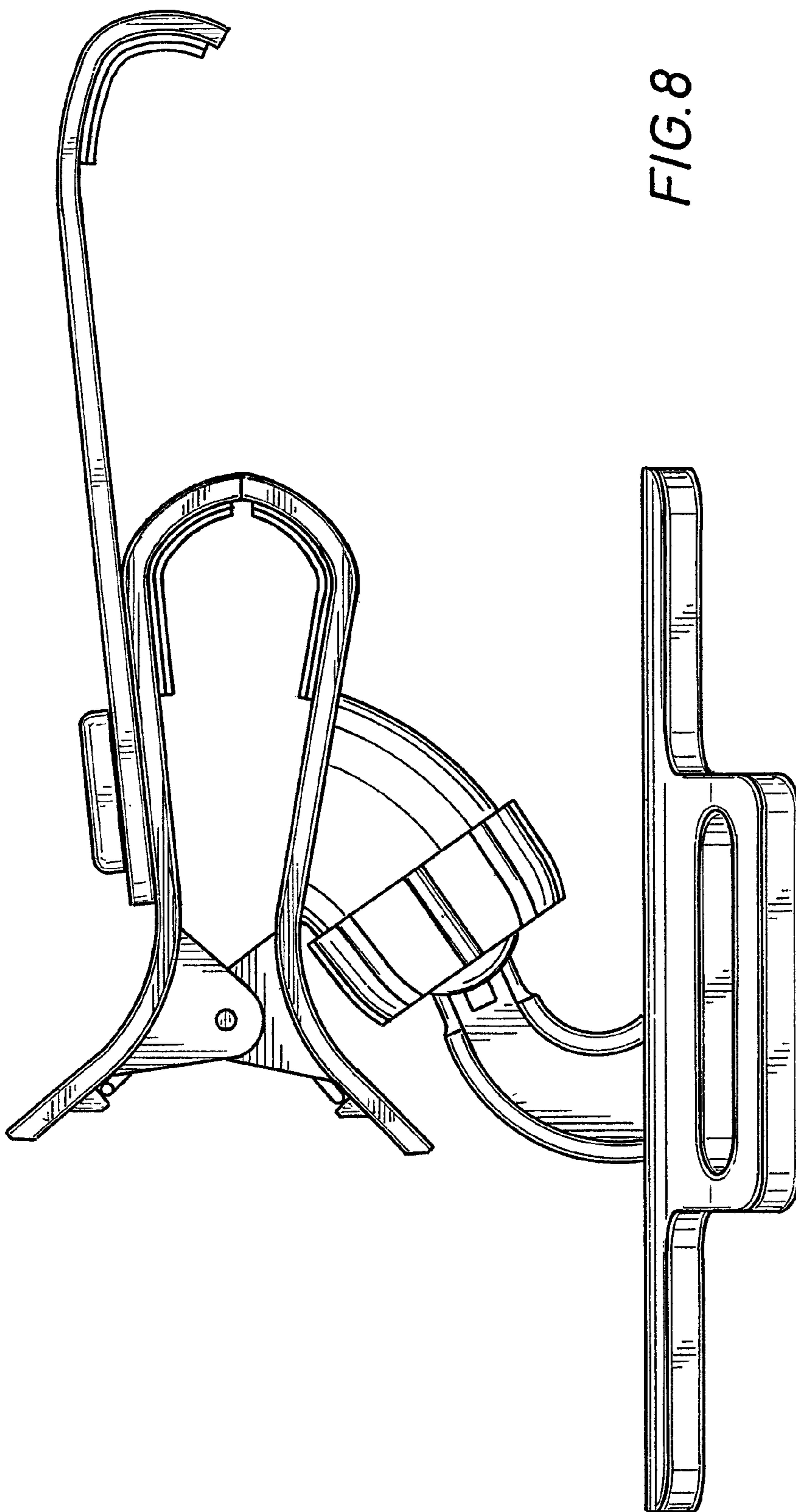


FIG. 7





UNITED STATES PATENT AND TRADEMARK OFFICE  
**CERTIFICATE OF CORRECTION**

PATENT NO. : D703,678 S  
APPLICATION NO. : 29/467240  
DATED : April 29, 2014  
INVENTOR(S) : Steven A. Shubin

Page 1 of 1

It is certified that error appears in the above-identified patent and that said Letters Patent is hereby corrected as shown below:

On the Title Page

Item (54) the title of the Patent should read:

-- Leg Mounted Portable Computer Holder --

The claim should read:

-- The ornamental design for a leg mounted portable computer holder, as shown and described. --

Signed and Sealed this  
Fifteenth Day of July, 2014



Michelle K. Lee  
*Deputy Director of the United States Patent and Trademark Office*