



US00D703677S

(12) **United States Design Patent**
Bigazzi et al.

(10) **Patent No.:** **US D703,677 S**

(45) **Date of Patent:** **** Apr. 29, 2014**

(54) **SUPPORT FOR A PORTABLE ELECTRONIC DEVICE**

D685,322 S * 7/2013 Szymanski et al. D13/108
D687,441 S * 8/2013 Janzen D14/447
D692,900 S * 11/2013 Kovacs D14/447

(71) Applicants: **Andre Bigazzi**, Cagnes-sur-mer (FR);
Marco Egidi, Nice (FR)

* cited by examiner

(72) Inventors: **Andre Bigazzi**, Cagnes-sur-mer (FR);
Marco Egidi, Nice (FR)

Primary Examiner — Angela J Lee

(74) *Attorney, Agent, or Firm* — Saile Ackerman LLC;
Stephen B. Ackerman

(**) Term: **14 Years**

(57) **CLAIM**

The ornamental design for a support for a portable electronic device, as shown and described.

(21) Appl. No.: **29/465,306**

(22) Filed: **Aug. 27, 2013**

DESCRIPTION

(51) **LOC (10) Cl.** **08-07**

(52) **U.S. Cl.**
USPC **D14/447**

(58) **Field of Classification Search**
USPC D14/447, 451, 457, 432, 434, 439, 440,
D14/217, 238.1, 250, 251, 253; D6/406.1,
D6/406.2, 406.3, 406.4, 406.5, 406.6;
D12/415; D13/108, 110; D8/363;
D21/333; 248/917-924, 133, 136, 139,
248/150, 176.1, 188.6; 361/679.09, 679.21,
361/679.22, 679.24, 679.26, 679.27,
361/679.28, 679.3, 679.55, 679.56, 709
See application file for complete search history.

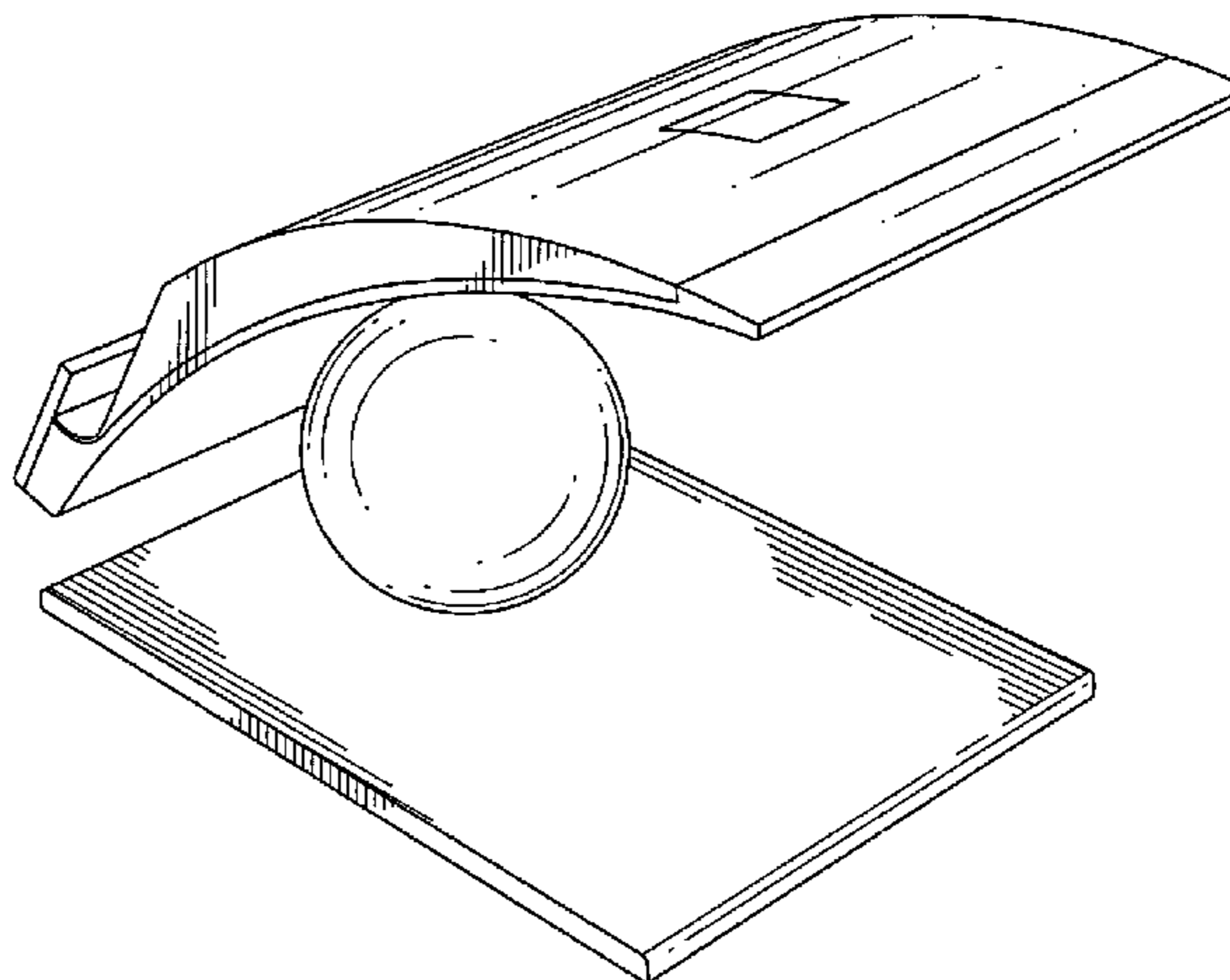
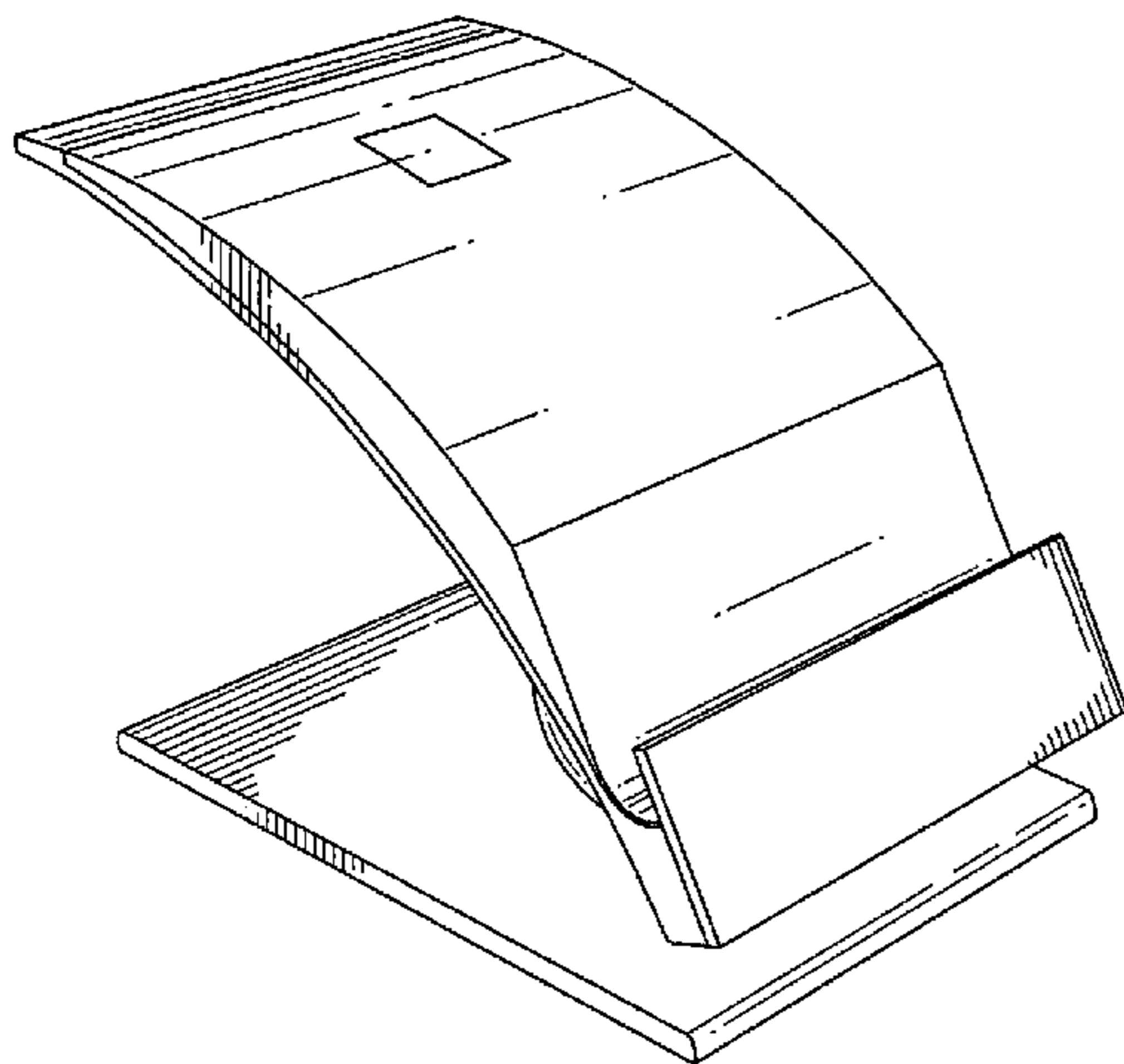
FIG. 1 is a perspective view of a support for a portable electronic device showing our new design; FIG. 2 is a second perspective view thereof; FIG. 3 is a front elevational view thereof; FIG. 4 is a rear elevational view thereof; FIG. 5 is a right side elevational view thereof; FIG. 6 is a left side elevational view thereof; FIG. 7 is a top plan view thereof; FIG. 8 is a bottom plan view thereof; FIG. 9 is a perspective view of a second embodiment thereof; FIG. 10 is a second perspective view of a second embodiment thereof; FIG. 11 is a front elevational view of a second embodiment thereof; FIG. 12 is a rear elevational view of a second embodiment thereof; FIG. 13 is a right side elevational view of a second embodiment thereof; FIG. 14 is a left side elevational view of a second embodiment thereof; FIG. 15 is a top plan view of a second embodiment thereof; and, FIG. 16 is a bottom plan view of a second embodiment thereof.

(56) **References Cited**

U.S. PATENT DOCUMENTS

D557,259 S * 12/2007 Hirsch D14/217
D557,698 S * 12/2007 Lye D14/447
D569,371 S * 5/2008 Staros et al. D14/217
D624,549 S * 9/2010 Okoshi et al. D14/451
D638,019 S * 5/2011 Weisshaupt D14/434
D648,727 S * 11/2011 Van Den Nieuwenhuizen
et al. D14/447
D649,153 S * 11/2011 Symons D14/447
D658,167 S * 4/2012 Buessler et al. D14/251
D663,726 S * 7/2012 Gourley D14/251

1 Claim, 16 Drawing Sheets



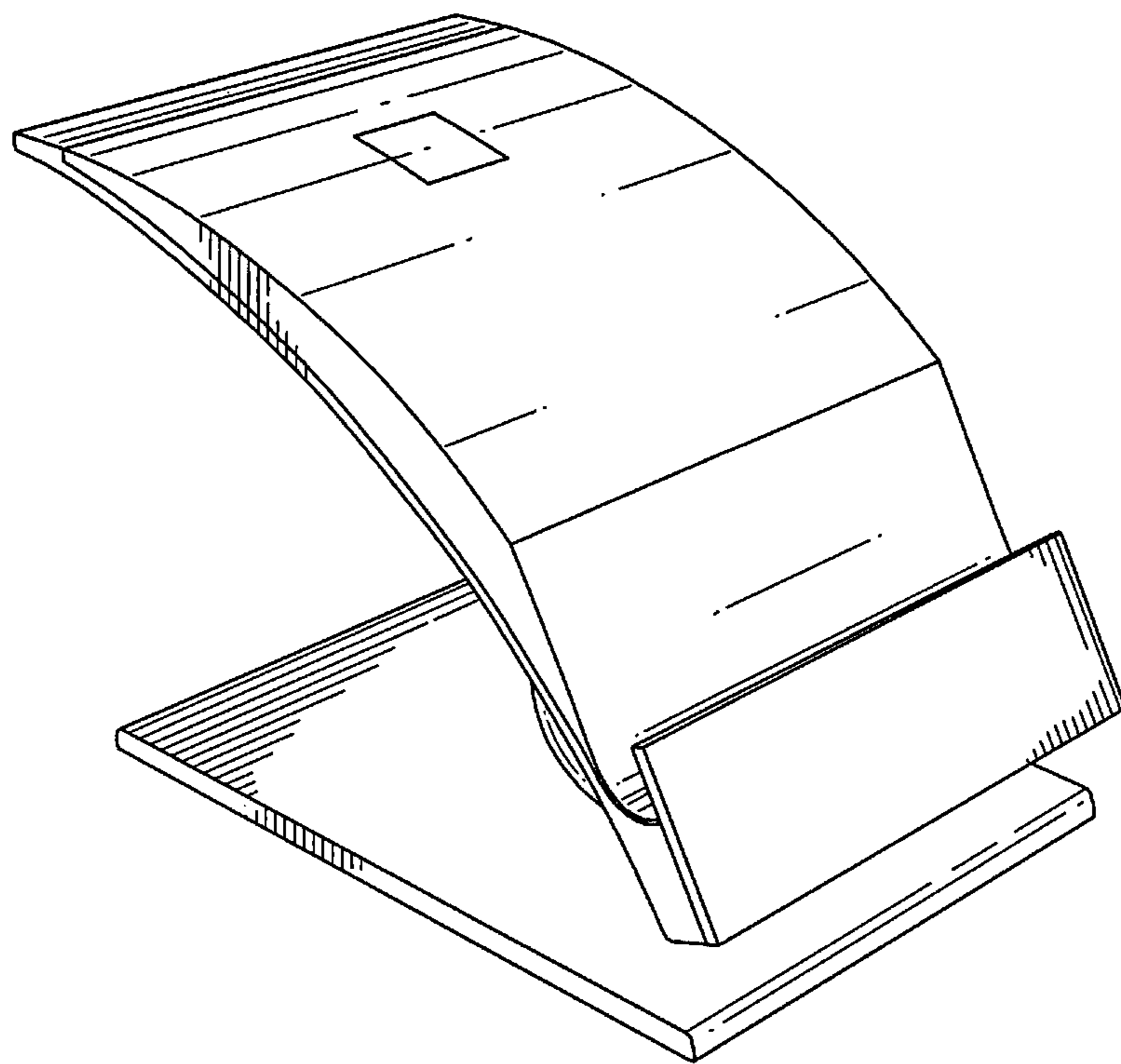


FIG. 1

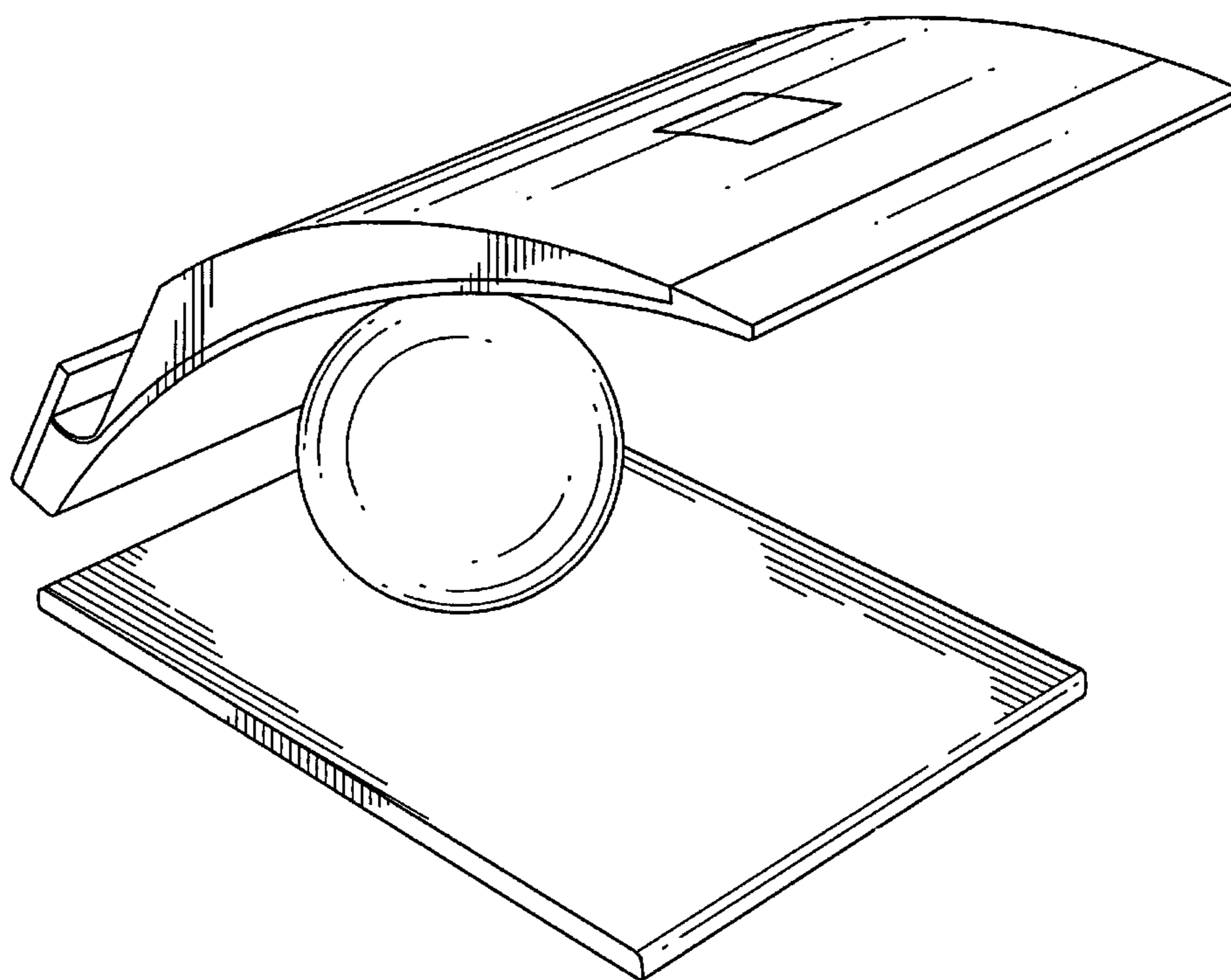


FIG.2

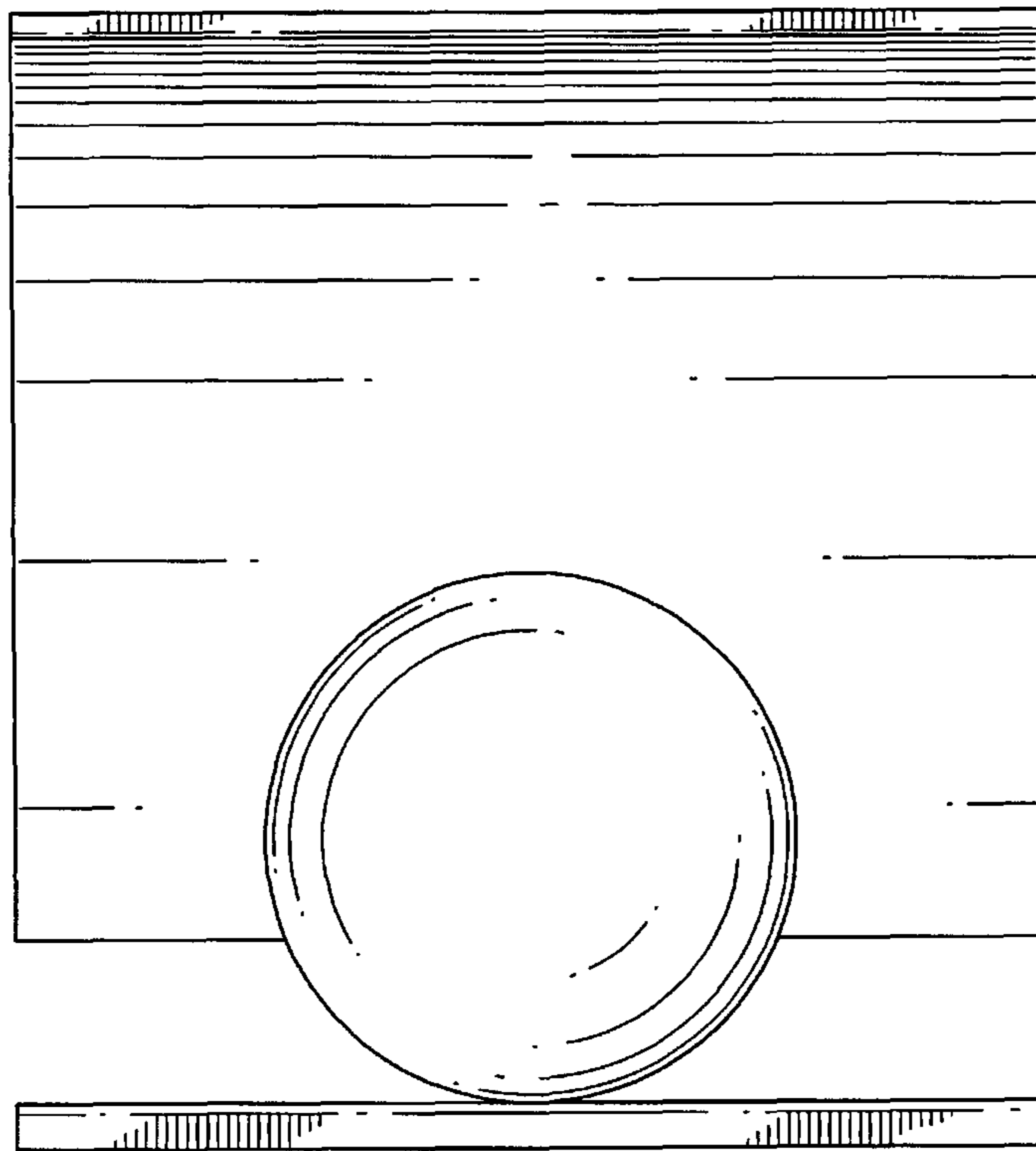


FIG. 3

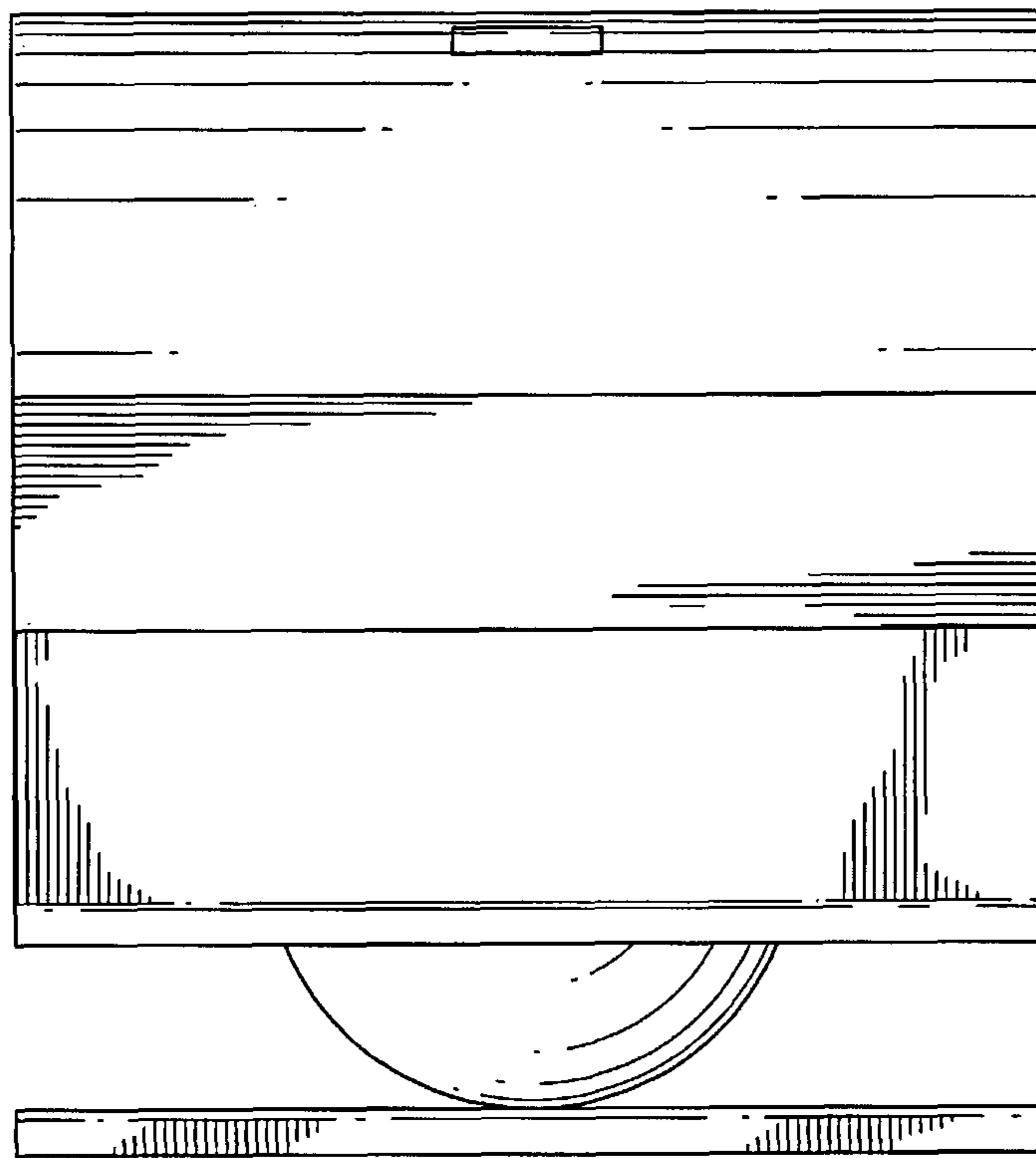


FIG.4

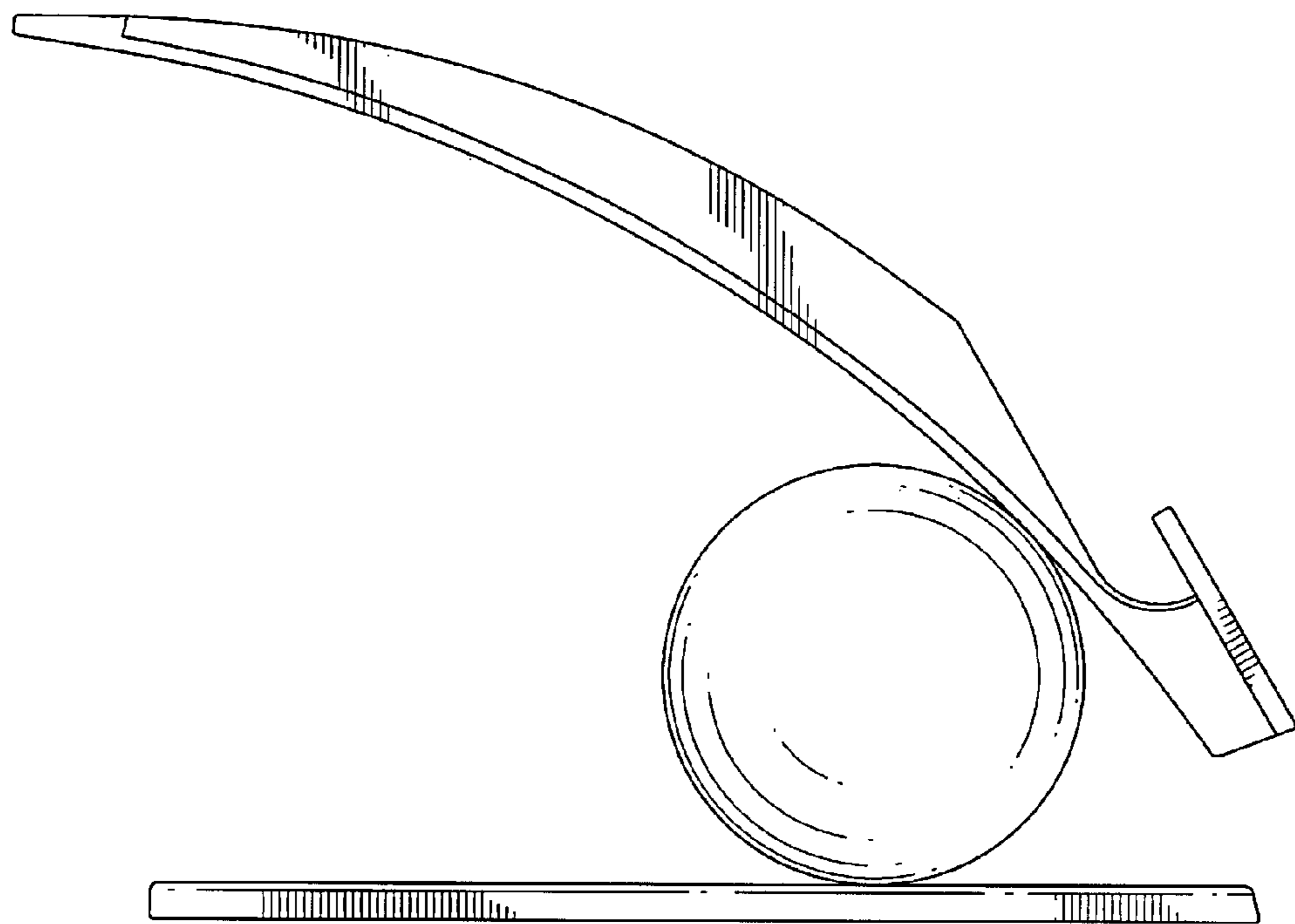


FIG.5

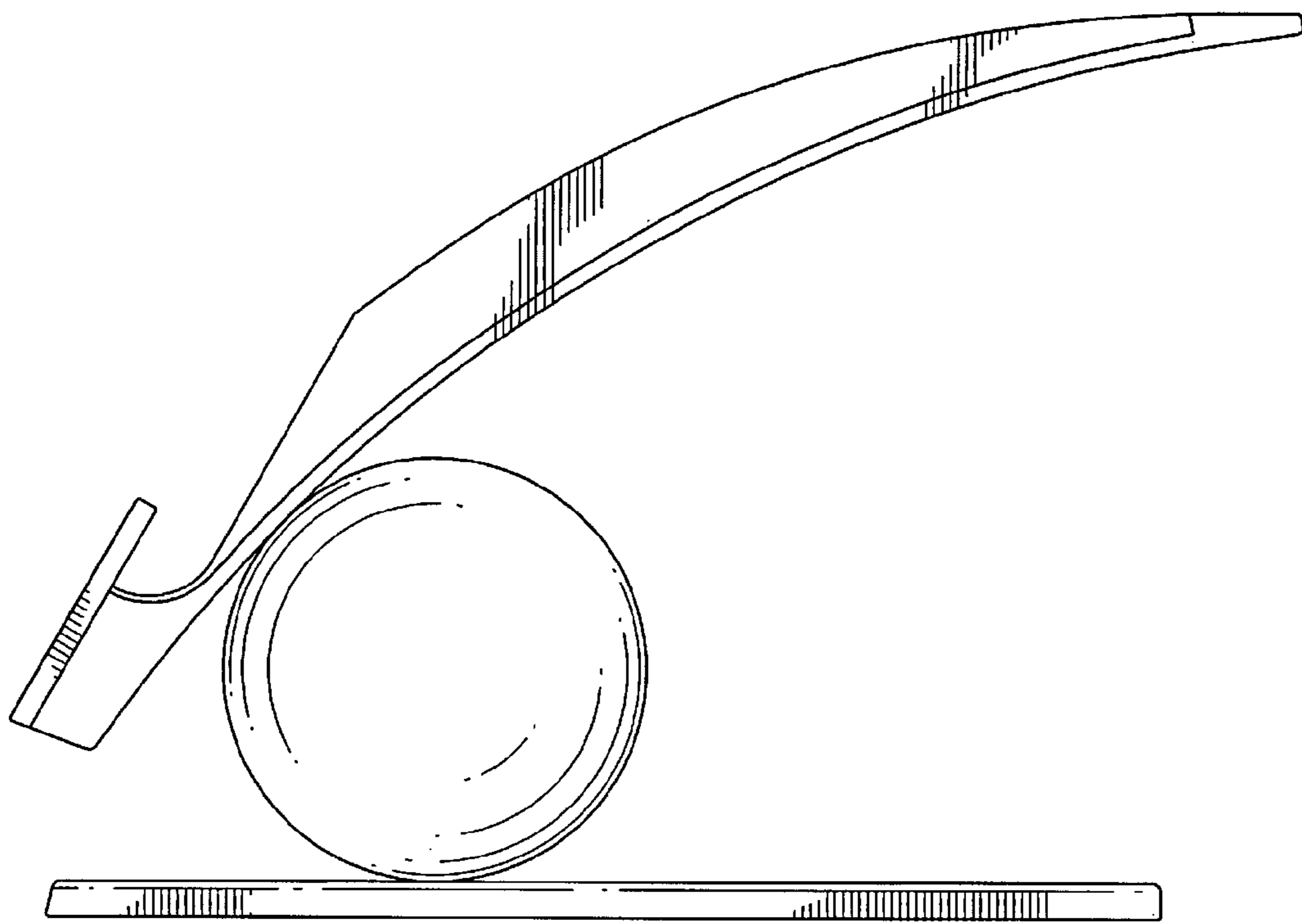


FIG.6

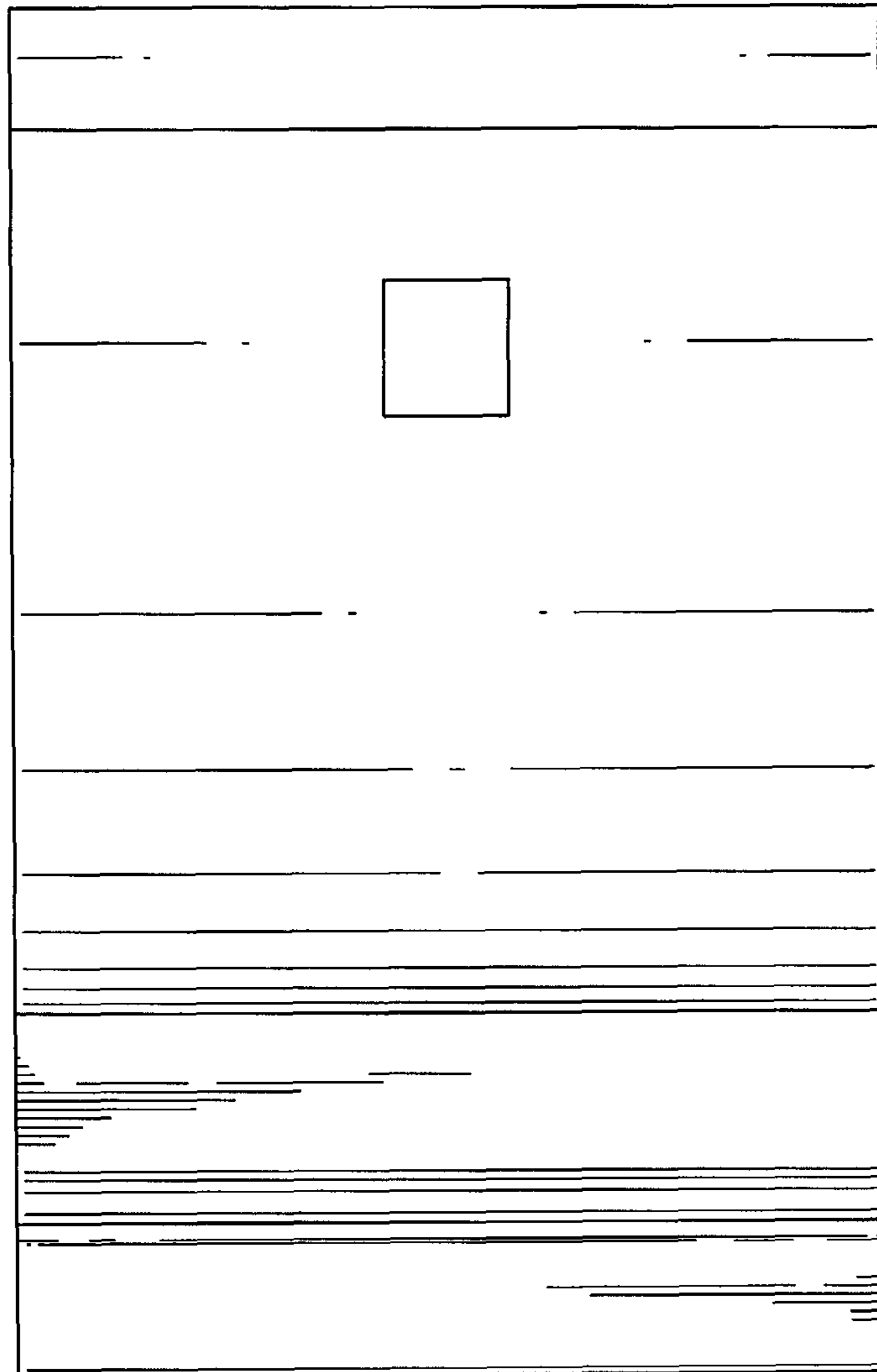


FIG. 7

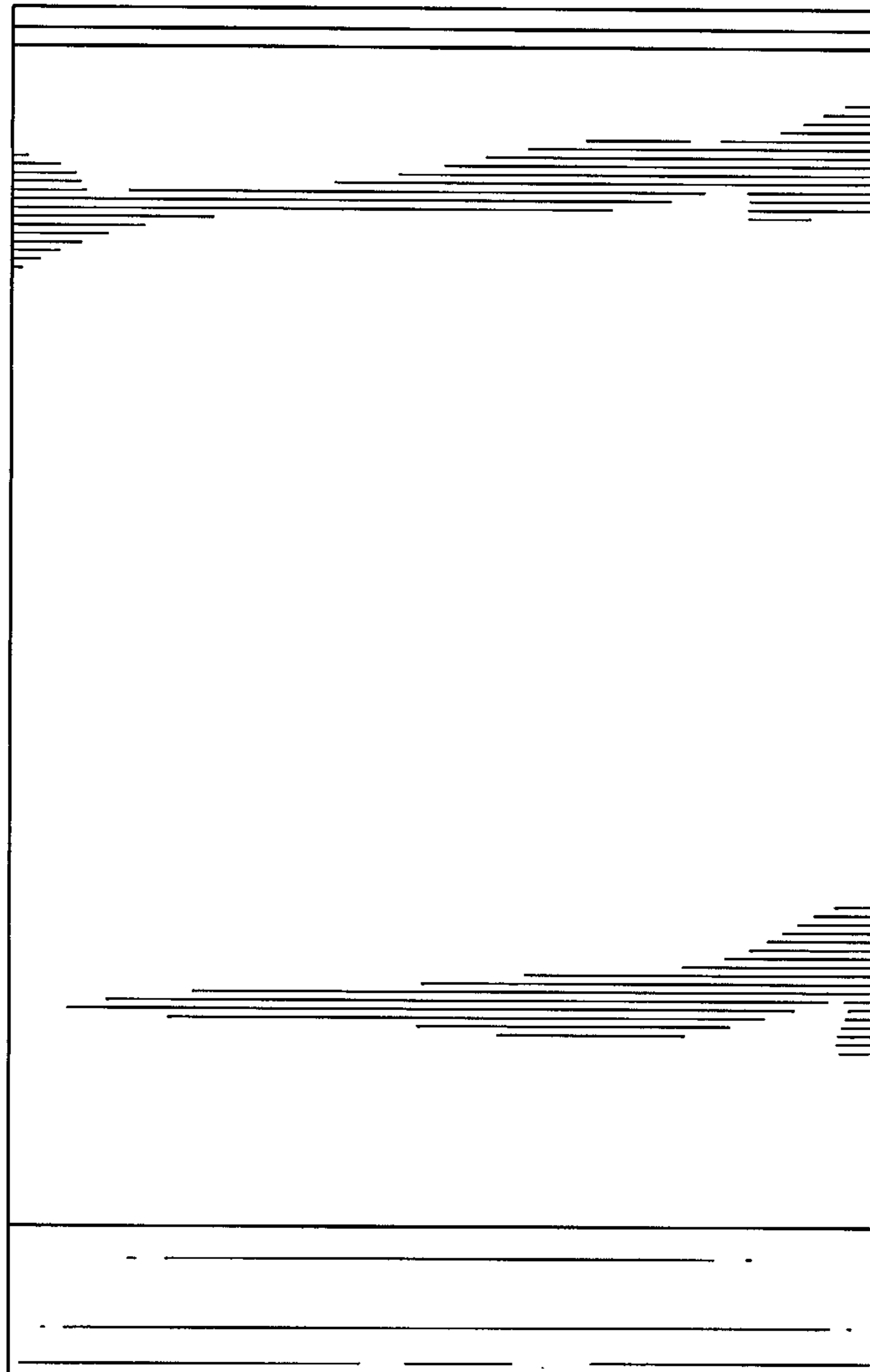


FIG.8

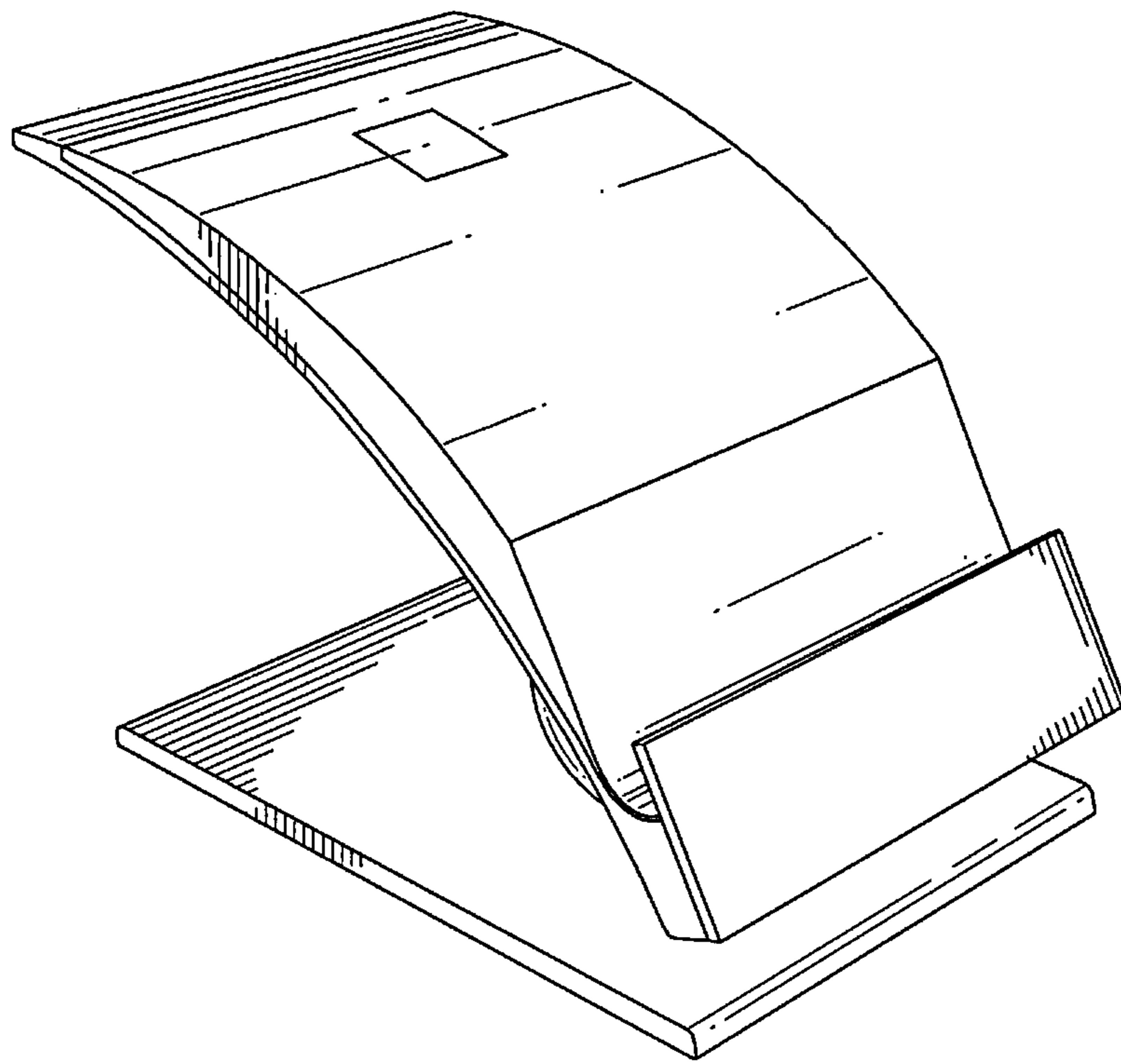


FIG.9

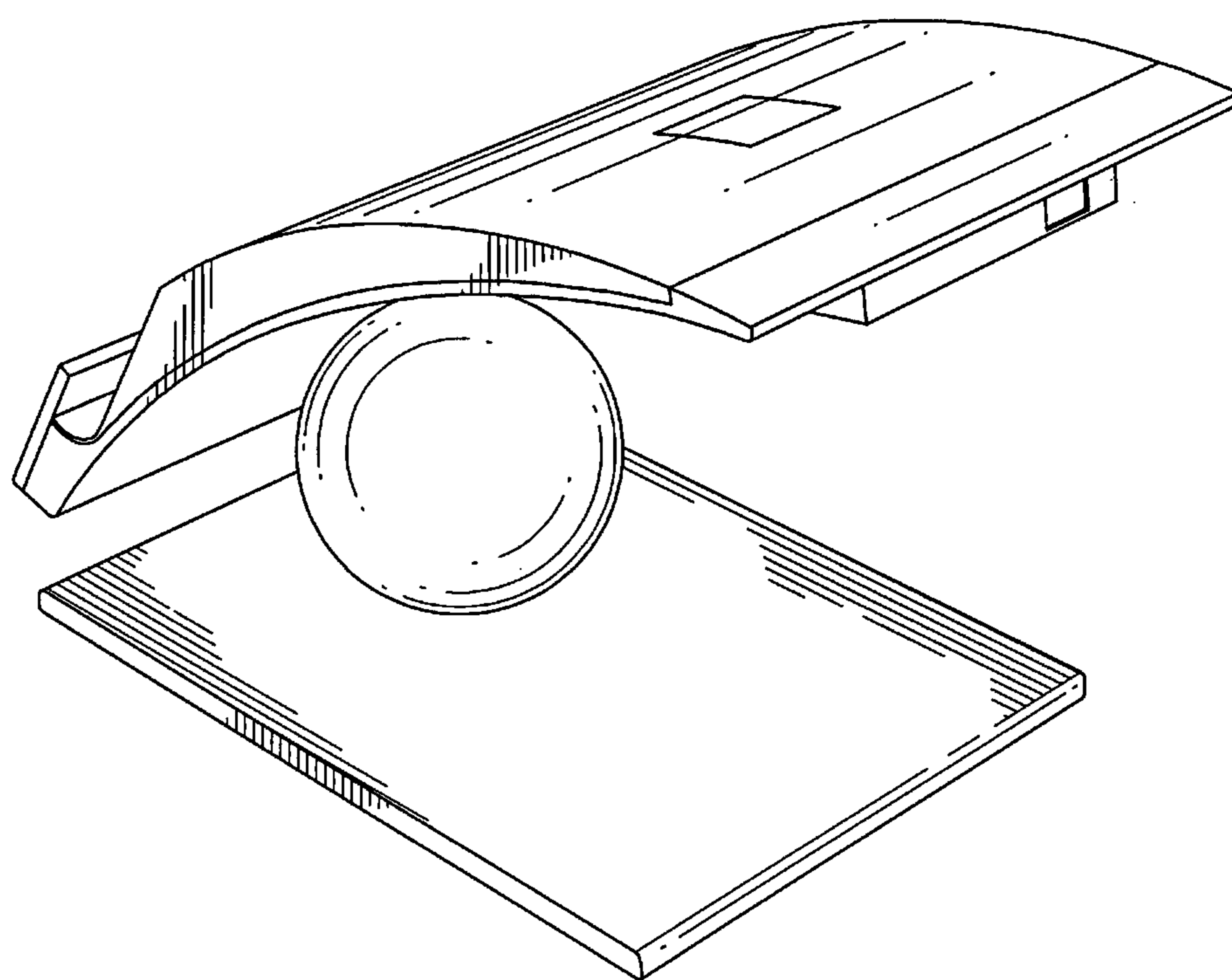


FIG. 10

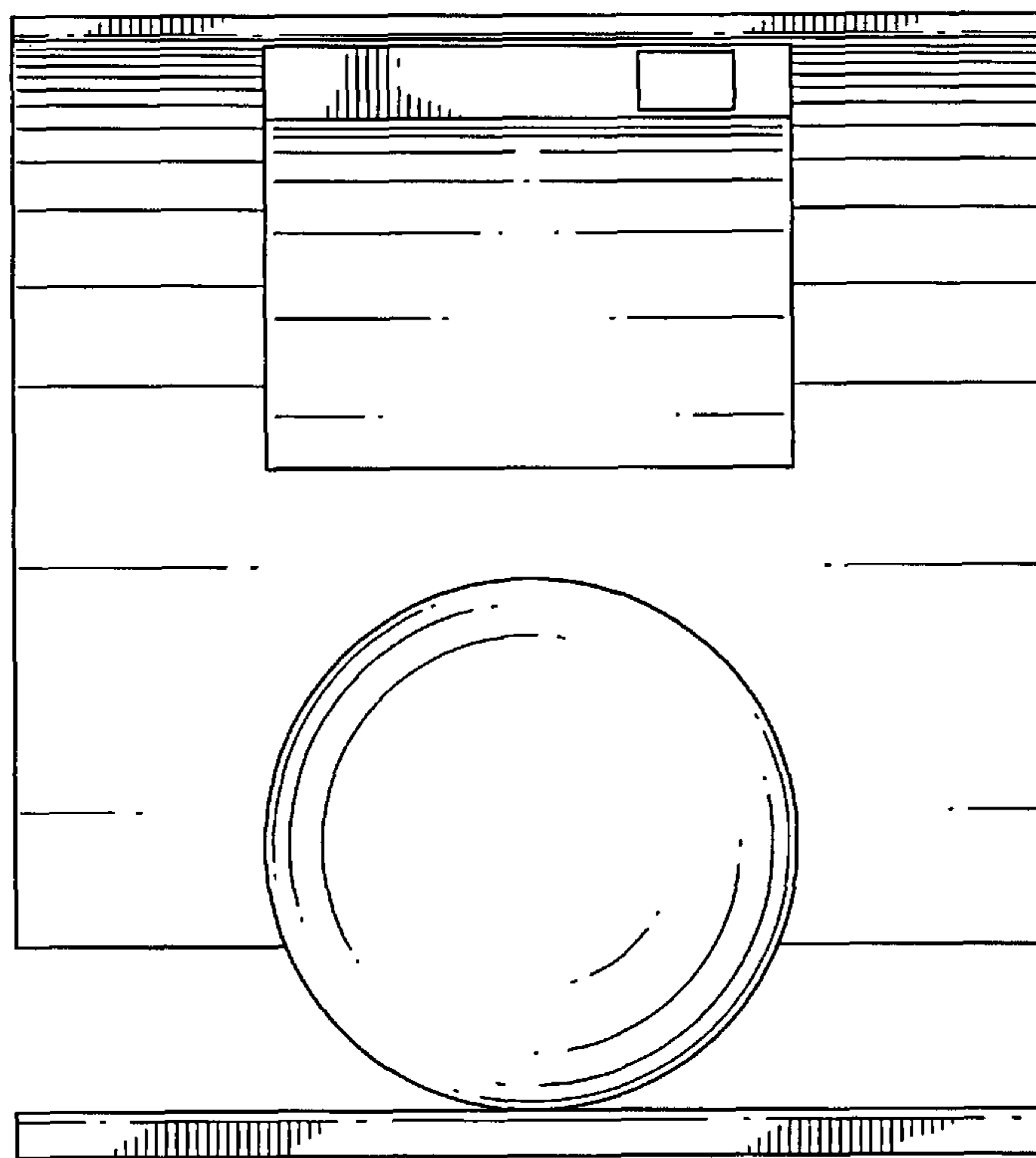


FIG. 11

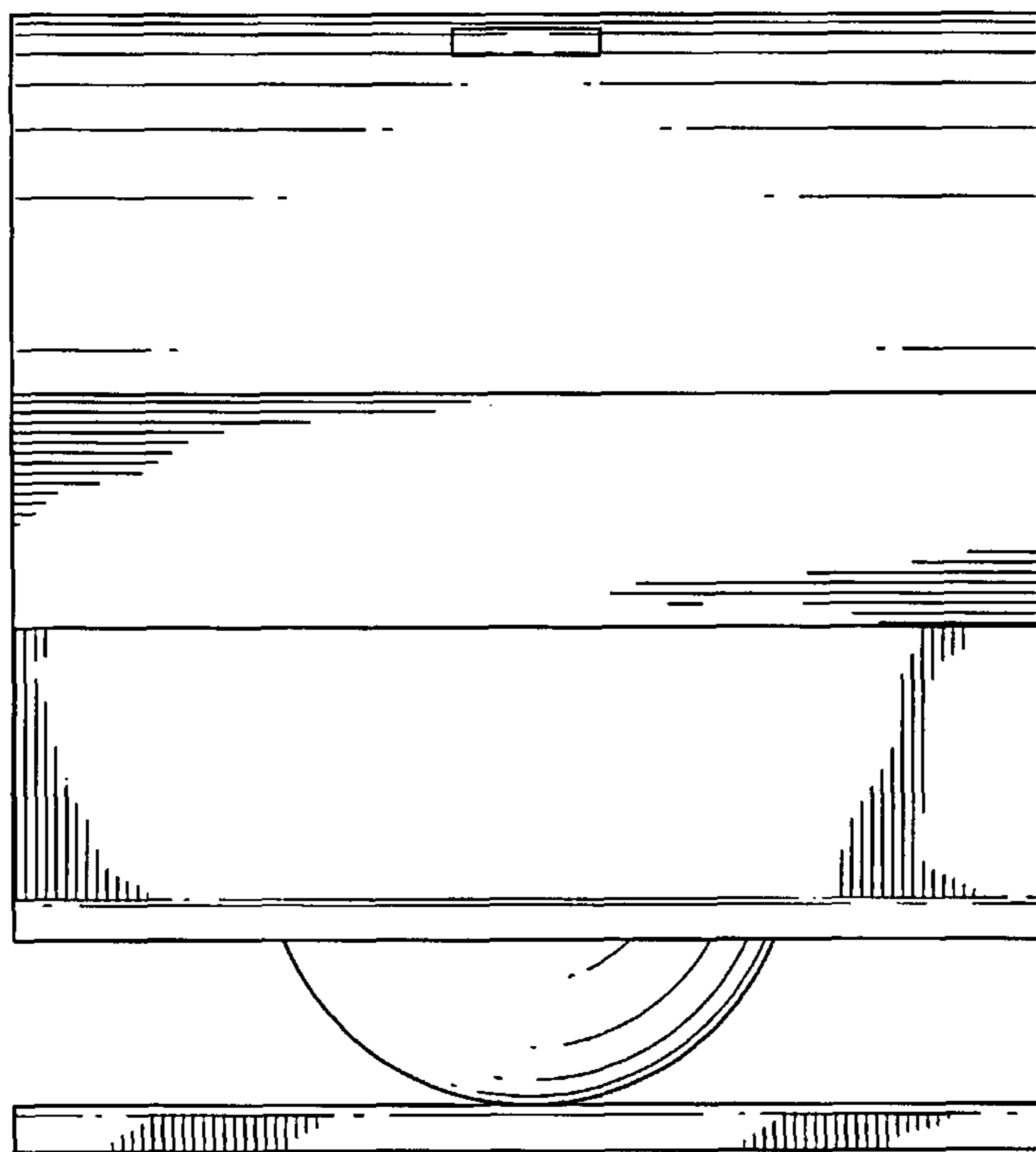


FIG. 12

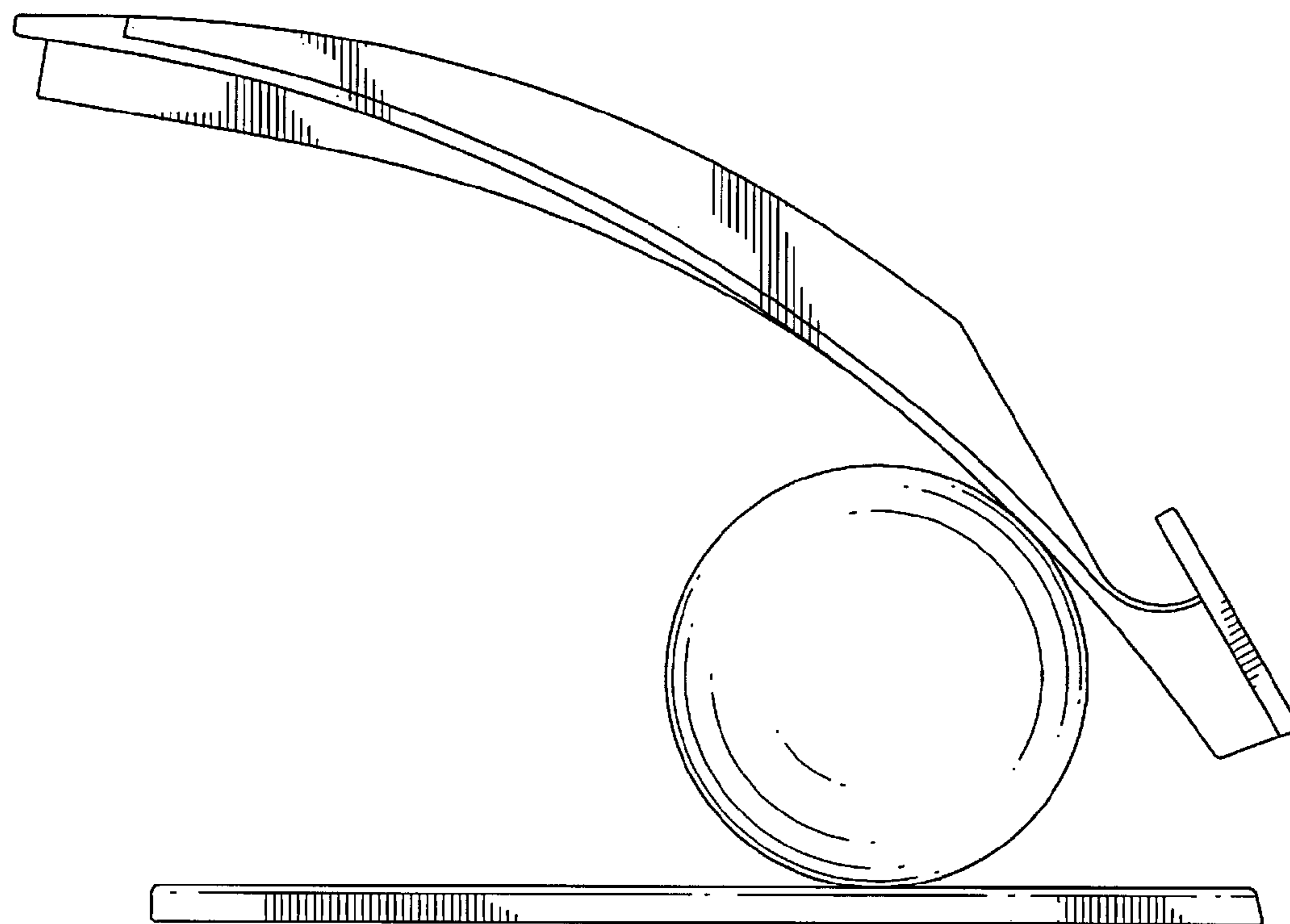


FIG. 13

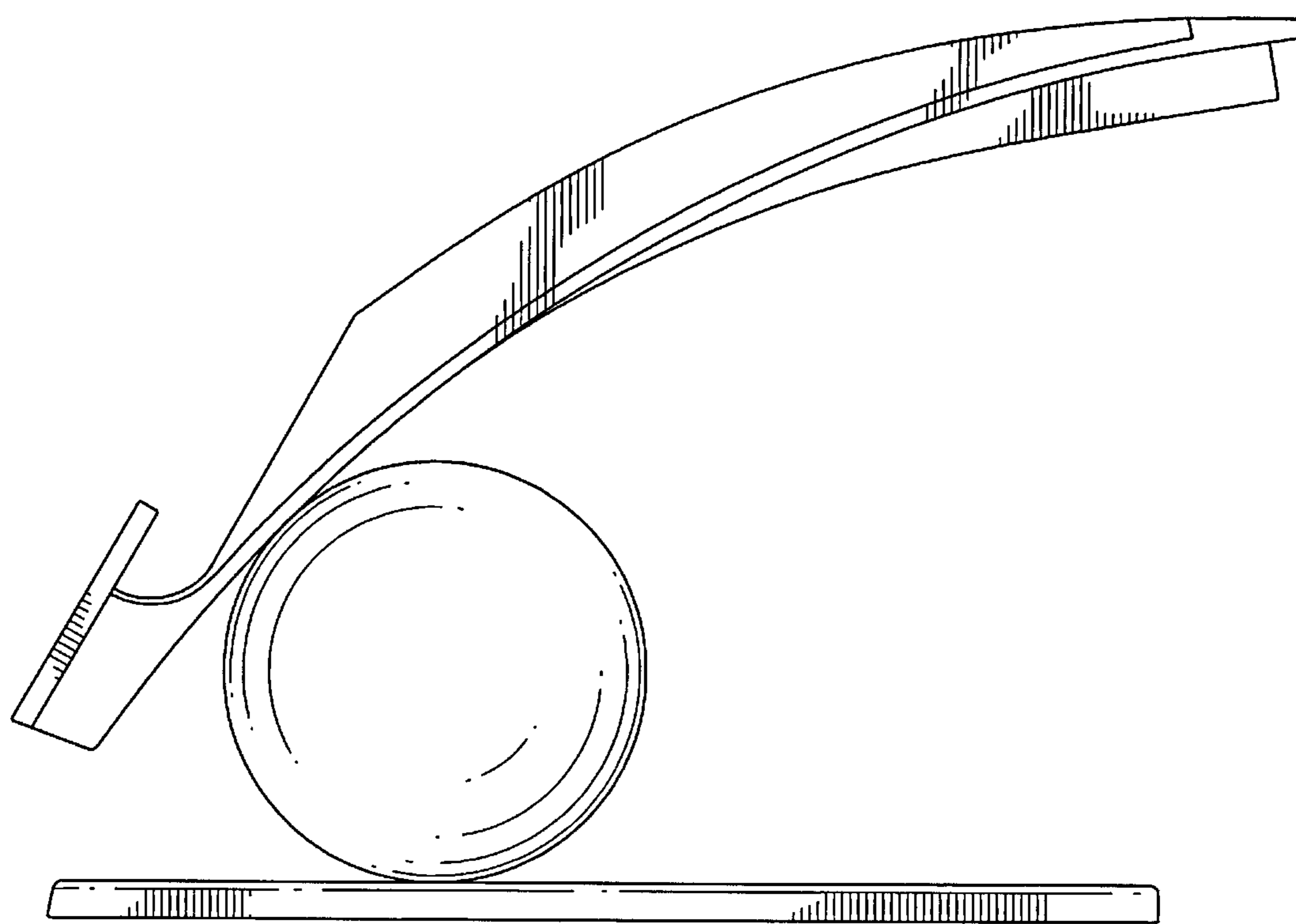


FIG. 14

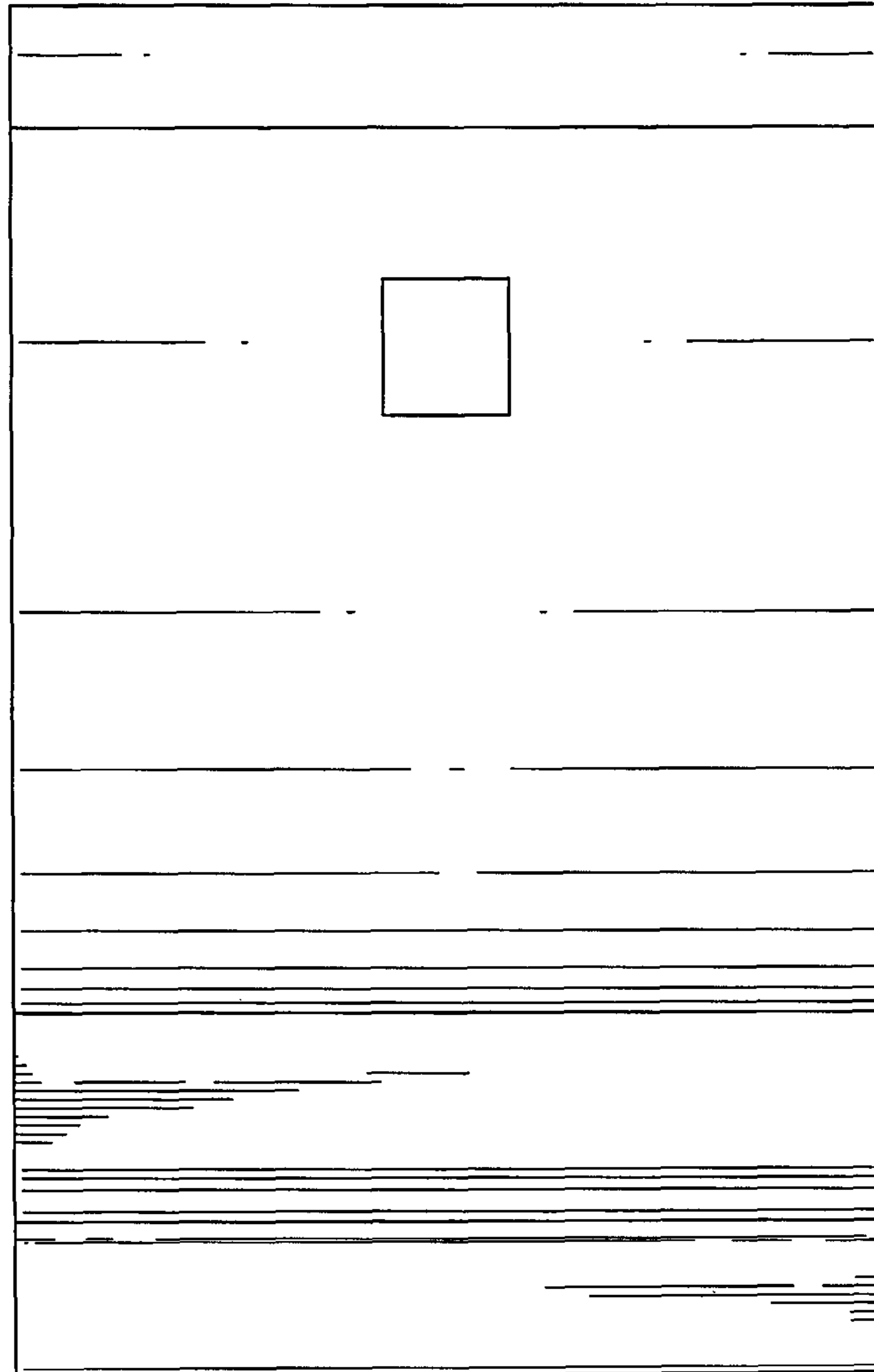


FIG. 15

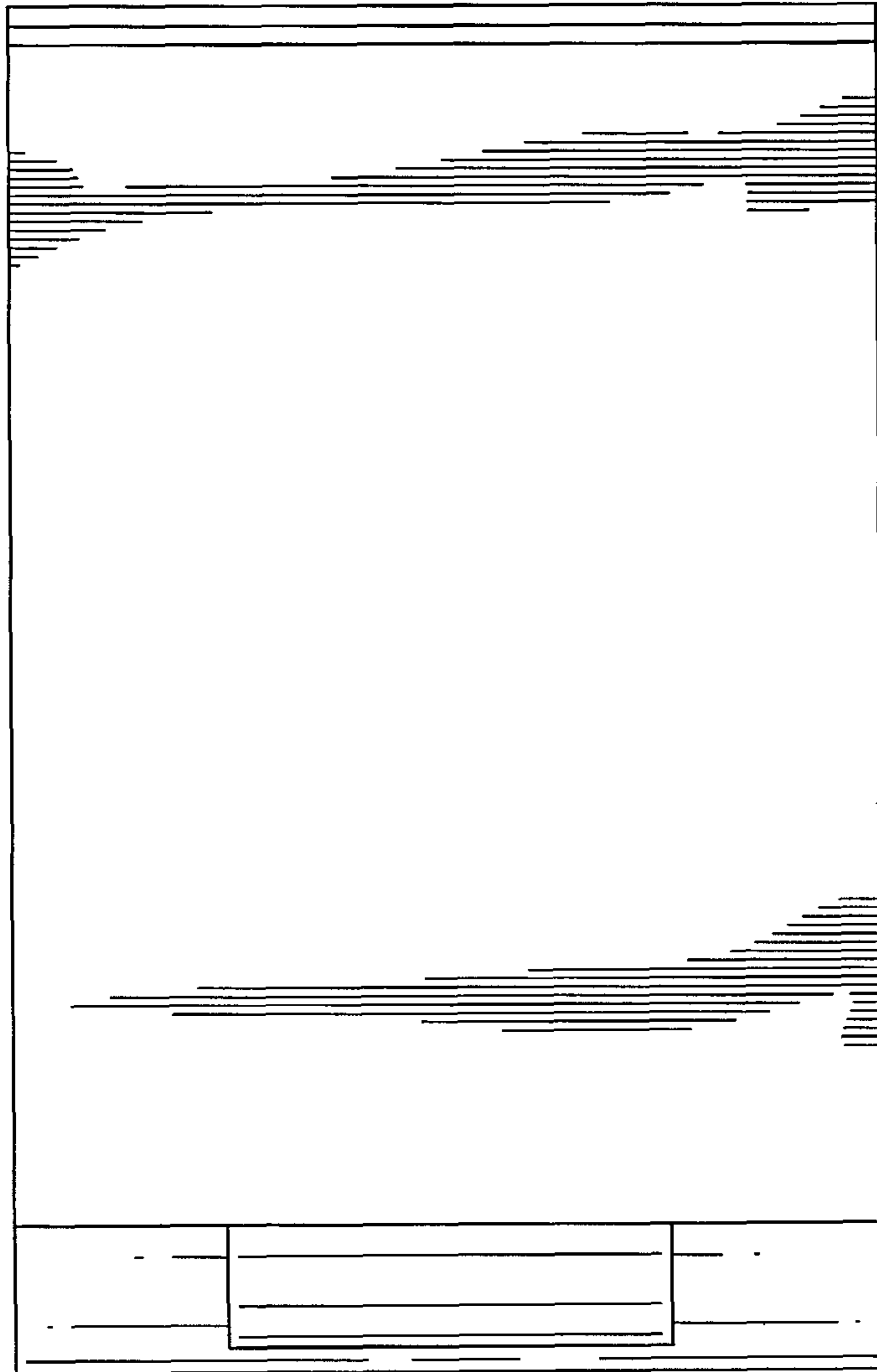


FIG. 16