



US00D703676S

(12) **United States Design Patent**  
**Smith et al.**

(10) **Patent No.:** **US D703,676 S**  
(45) **Date of Patent:** **\*\* Apr. 29, 2014**

(54) **MOBILE TABLET INFORMATION HANDLING SYSTEM SUPPORT**

(71) Applicant: **Dell Products L.P.**, Round Rock, TX (US)

(72) Inventors: **Michael Ellis Smith**, Austin, TX (US);  
**Heekwon Chon**, Austin, TX (US);  
**Frank M. Tyneski**, Austin, TX (US)

(73) Assignee: **Dell Products L.P.**, Round Rock, TX (US)

(\*\*) Term: **14 Years**

(21) Appl. No.: **29/464,844**

(22) Filed: **Aug. 21, 2013**

(51) **LOC (10) Cl.** ..... **08-07**

(52) **U.S. Cl.**  
USPC ..... **D14/447**

(58) **Field of Classification Search**  
USPC ..... D14/447, 451, 457, 432, 434, 439, 440,  
D14/217, 238.1, 250, 251, 253; D6/406.1,  
D6/406.2, 406.3, 406.4, 406.5, 406.6;  
D12/415; D13/108, 110; D8/363;  
D21/333; 248/917-924, 133, 136, 139,  
248/150, 176.1, 188.6; 361/679.09, 679.21,  
361/679.22, 679.24, 679.26, 679.27,  
361/679.28, 679.3, 679.55, 679.56, 709  
See application file for complete search history.

(56) **References Cited**

U.S. PATENT DOCUMENTS

D494,182 S \* 8/2004 Singer et al. .... D14/451  
D557,259 S \* 12/2007 Hirsch ..... D14/217  
D558,774 S \* 1/2008 Najima ..... D14/447  
D624,919 S \* 10/2010 Bull ..... D14/434

D638,019 S \* 5/2011 Weisshaupt ..... D14/434  
D640,249 S \* 6/2011 Choi ..... D14/253  
D648,727 S \* 11/2011 Van Den Nieuwenhuizen  
et al. .... D14/447  
D649,153 S \* 11/2011 Symons ..... D14/447  
D683,141 S \* 5/2013 Symons ..... D6/310  
D685,322 S \* 7/2013 Szymanski et al. .... D13/108  
2003/0001064 A1 \* 1/2003 Book ..... 248/460  
2009/0179132 A1 \* 7/2009 Qin et al. .... 248/371

\* cited by examiner

*Primary Examiner* — Angela J Lee

(74) *Attorney, Agent, or Firm* — Terrile, Cannatti, Chambers & Holland, LLP; Robert W. Holland

(57) **CLAIM**

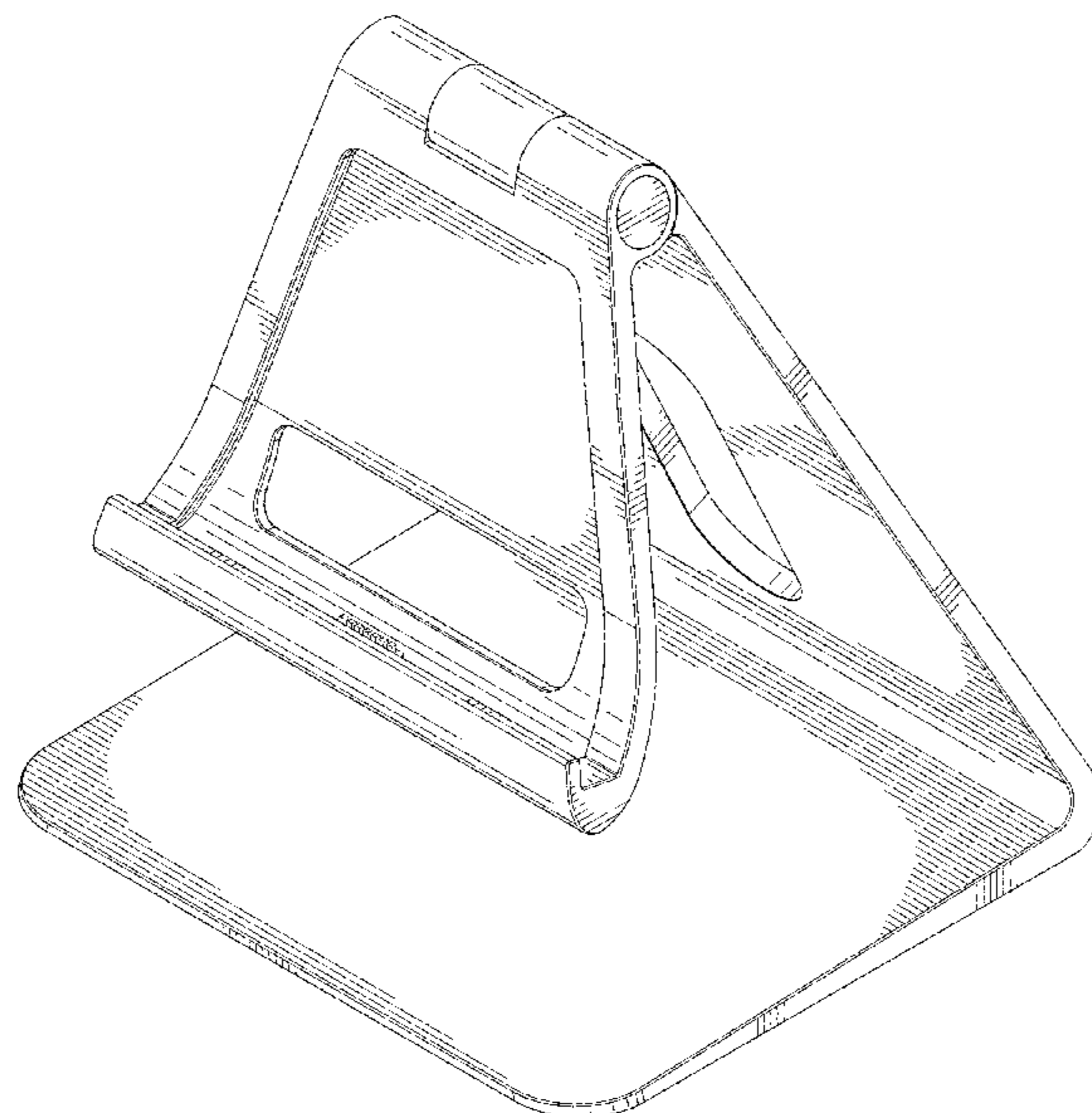
We claim the ornamental design for the mobile tablet information handling system support, as shown and described.

**DESCRIPTION**

FIG. 1 is a front perspective view of the mobile tablet information handling system support in a closed position comprising the present invention;  
FIG. 2 is a front side view thereof;  
FIG. 3 is a rear side view thereof;  
FIG. 4 is a right side view thereof;  
FIG. 5 is a left side view thereof;  
FIG. 6 is a top view thereof;  
FIG. 7 is a bottom view thereof;  
FIG. 8 is a front perspective view in an open position thereof;  
FIG. 9 is a front perspective view in a conversion position thereof; and,  
FIG. 10 is a front perspective view in a closed tablet position thereof.

Broken lines shown in the drawings illustrate portions of the mobile tablet information handling system support, and form no part of the claimed design.

**1 Claim, 10 Drawing Sheets**



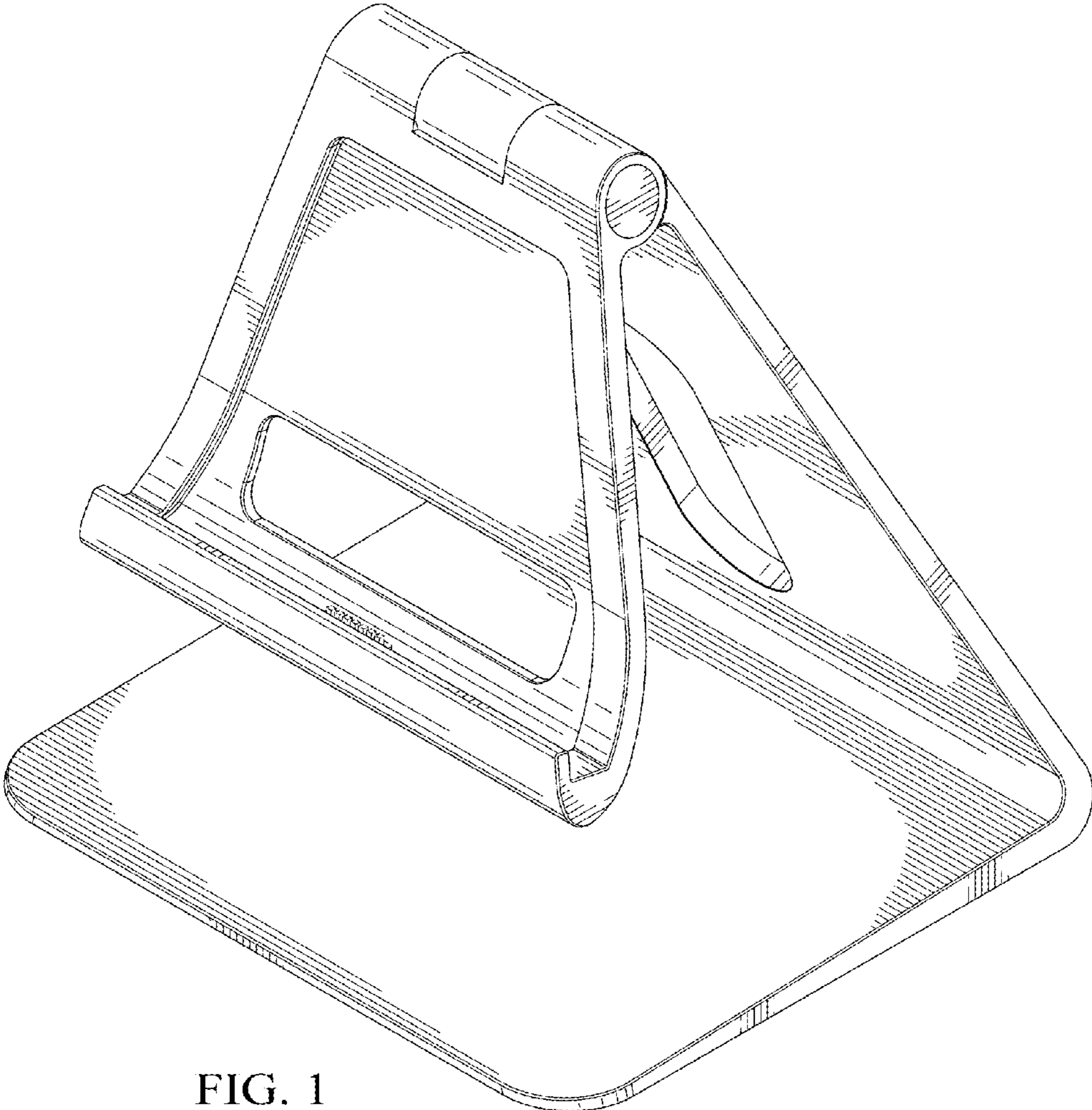


FIG. 1

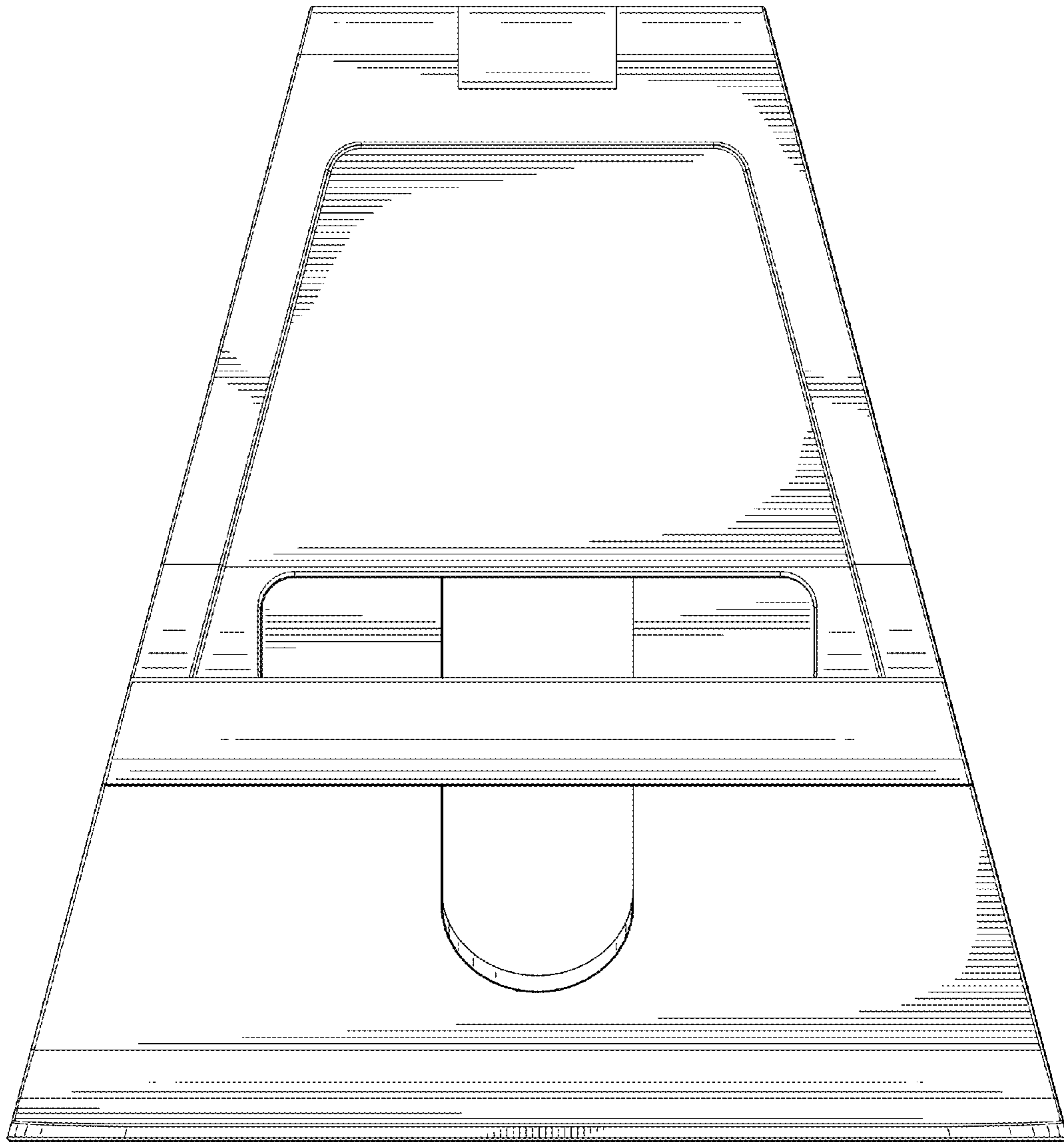


FIG. 2

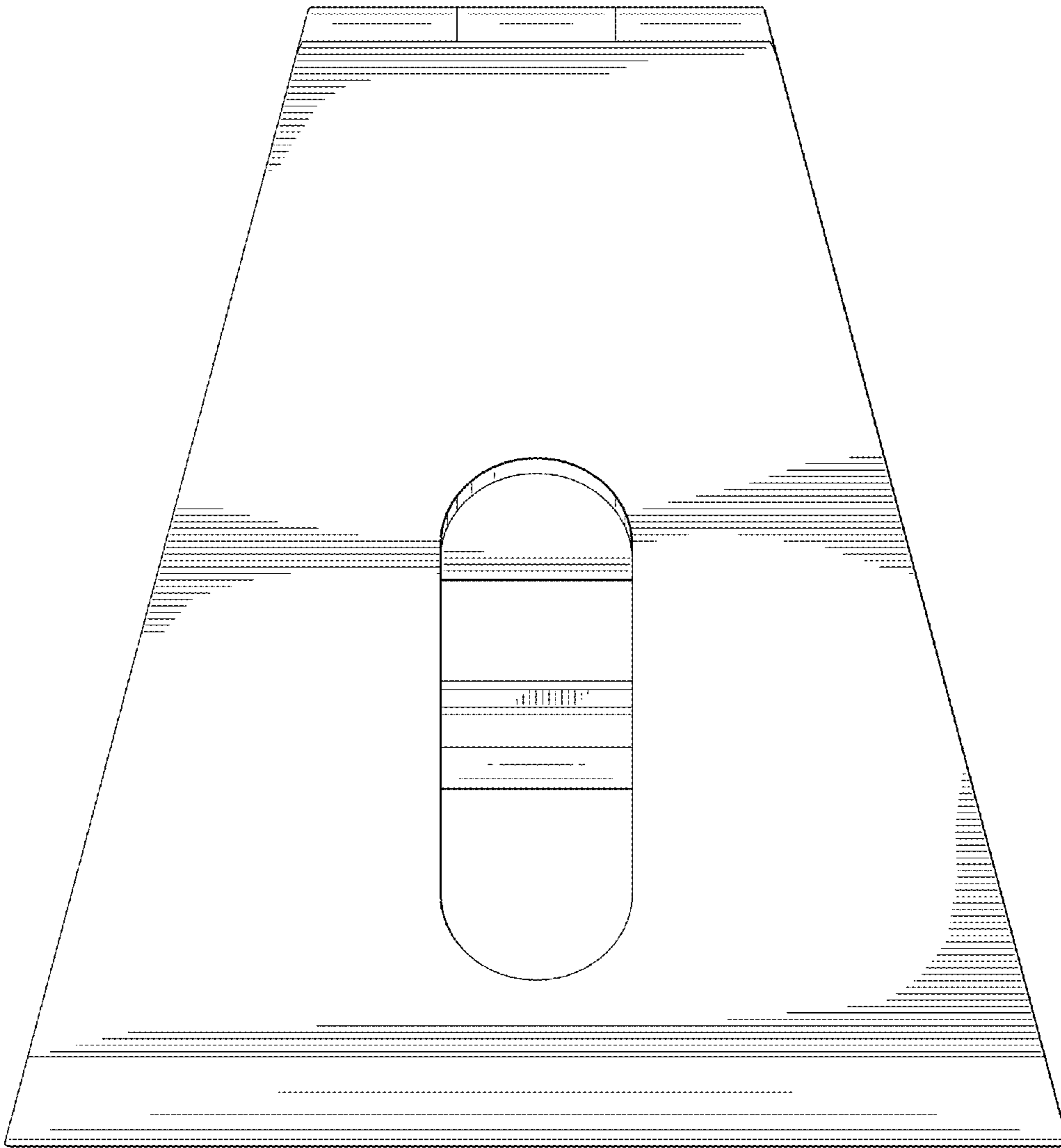


FIG. 3

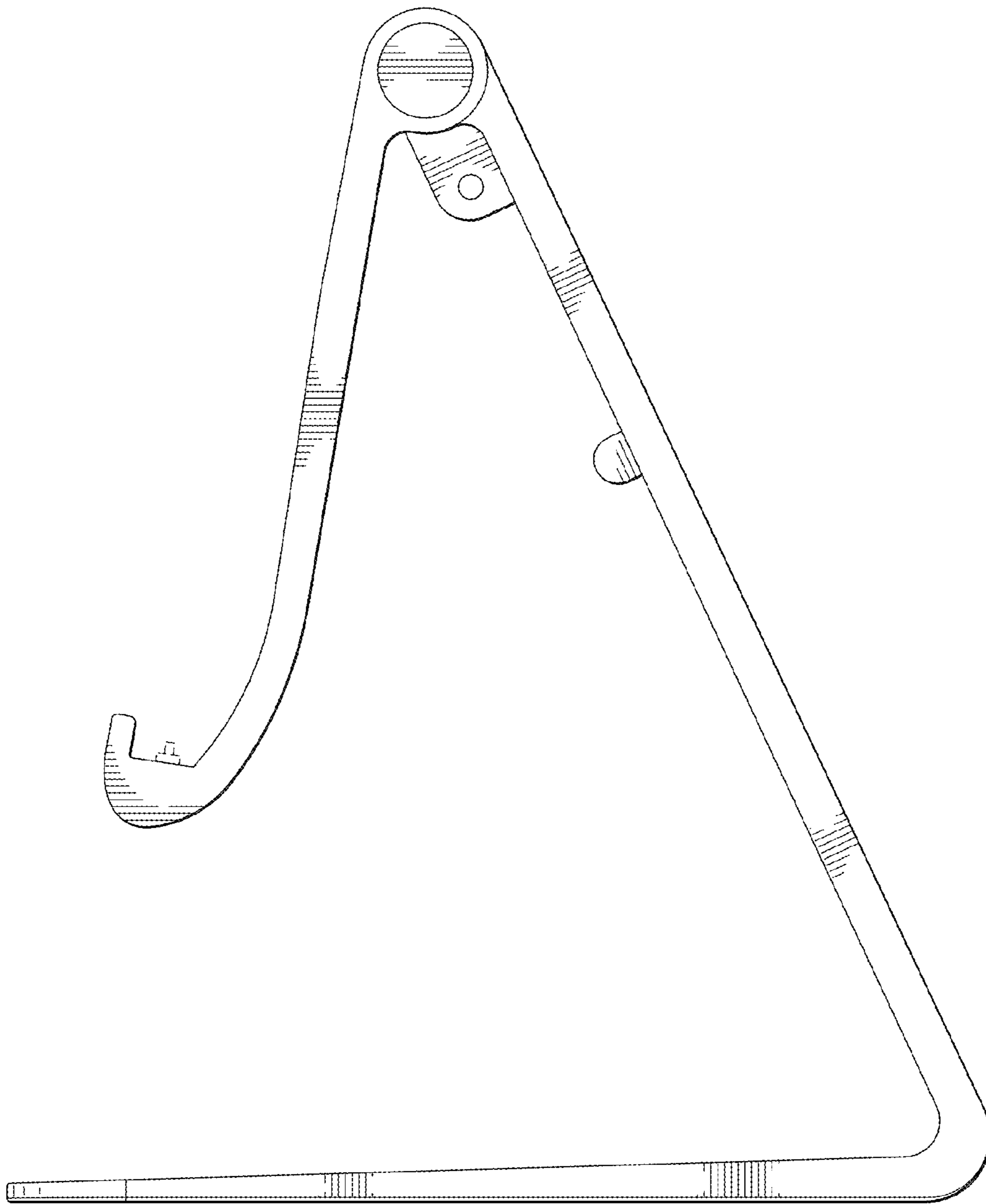


FIG. 4

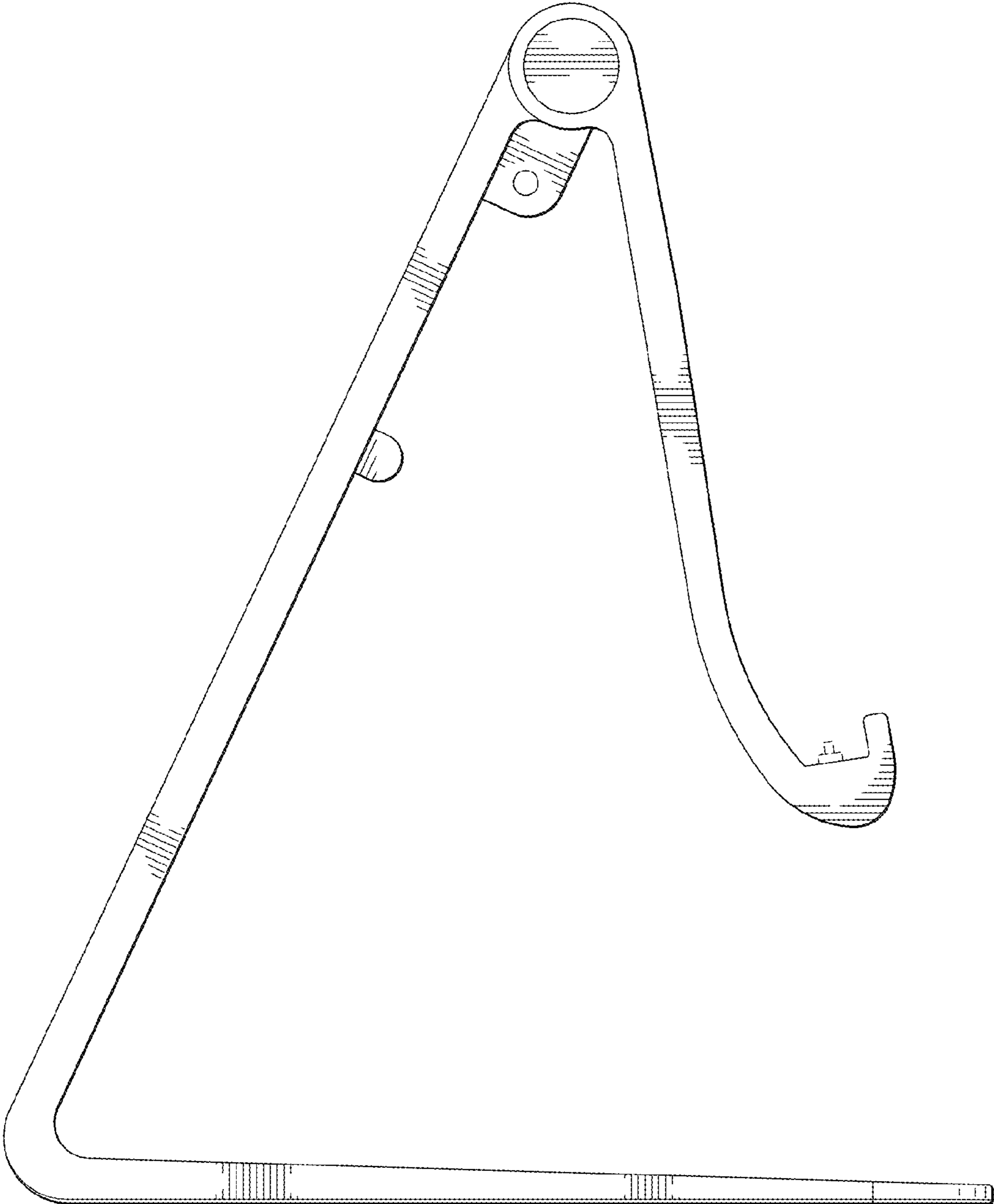


FIG. 5

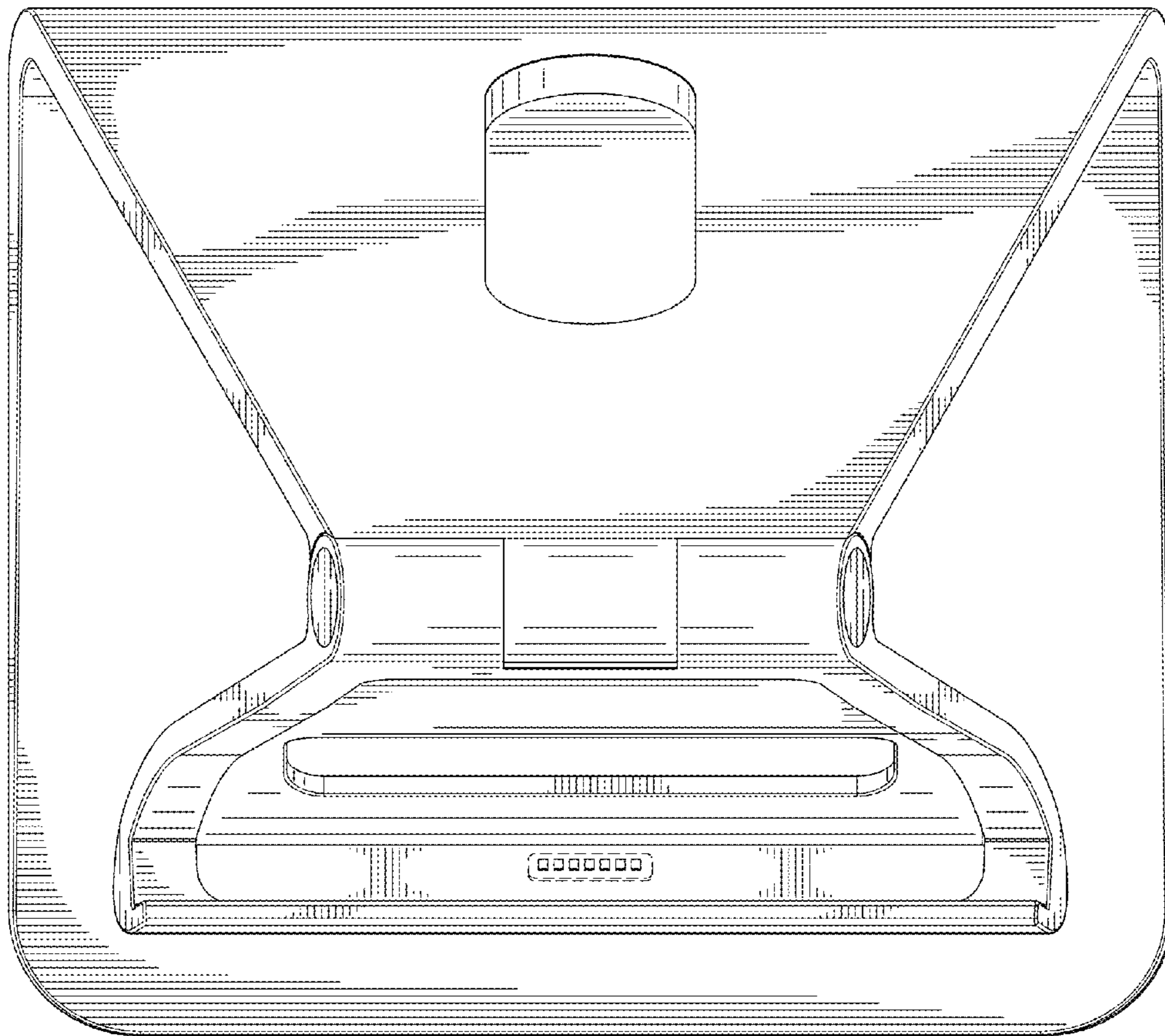


FIG. 6

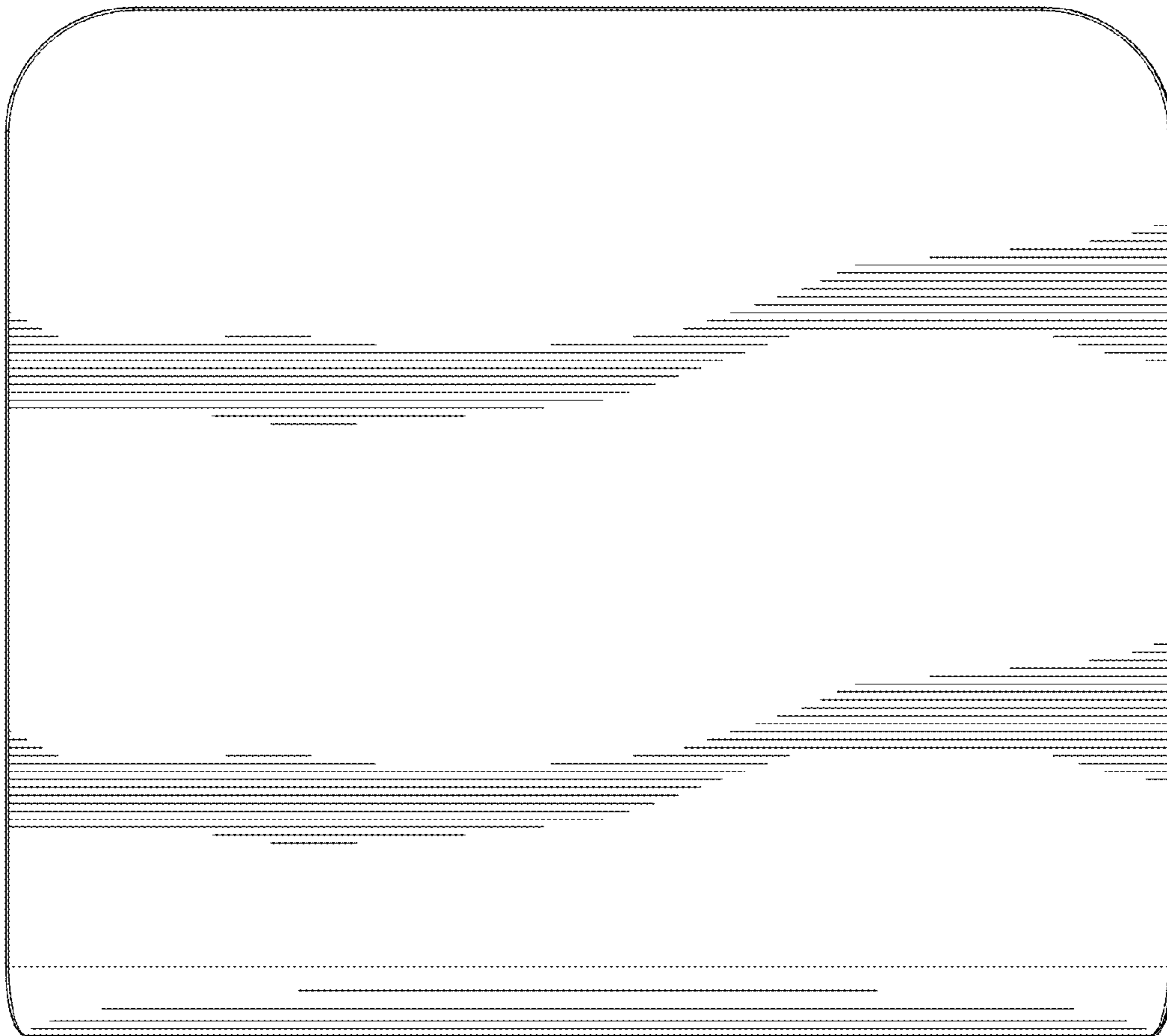


FIG. 7



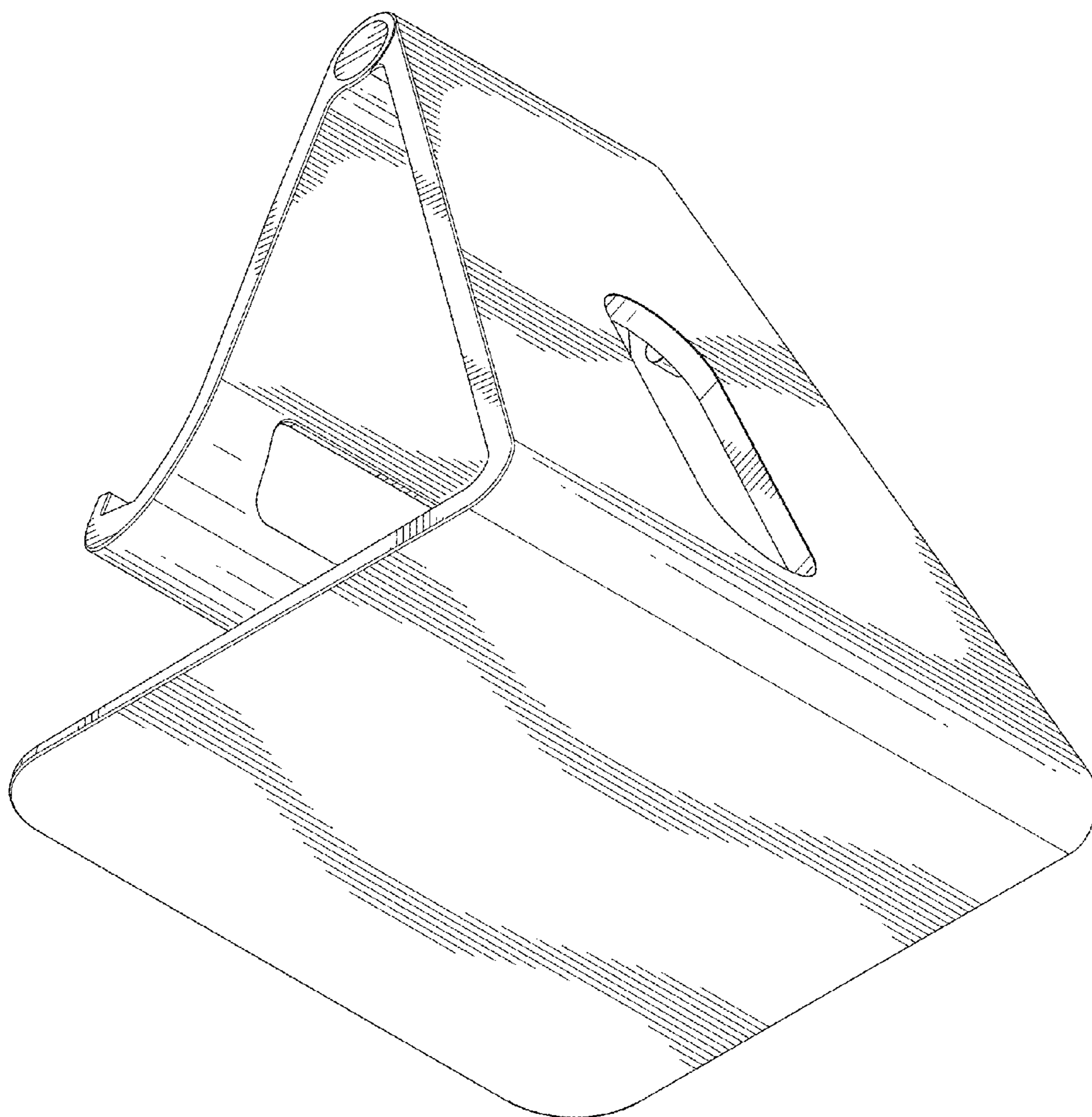


FIG. 8

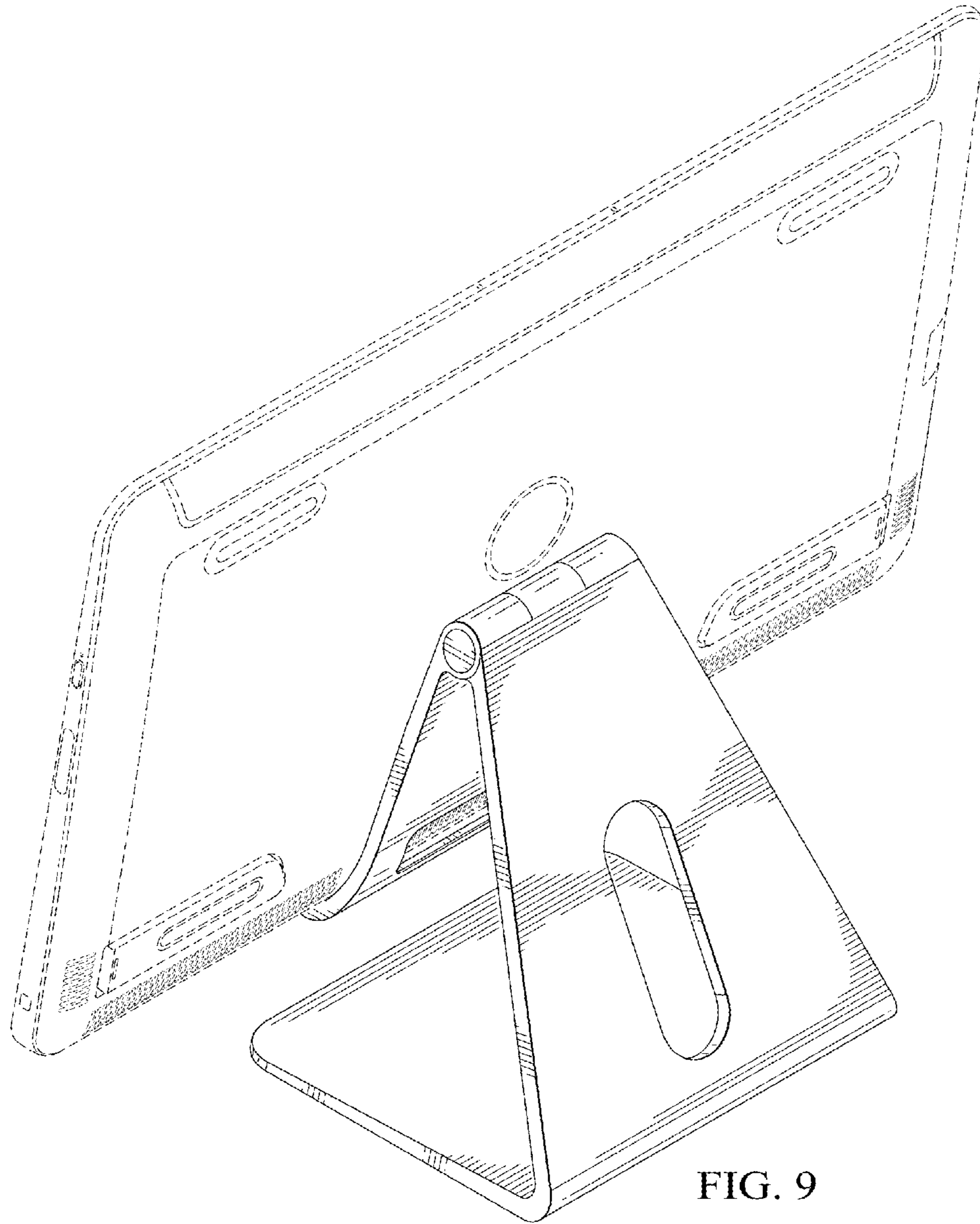


FIG. 9

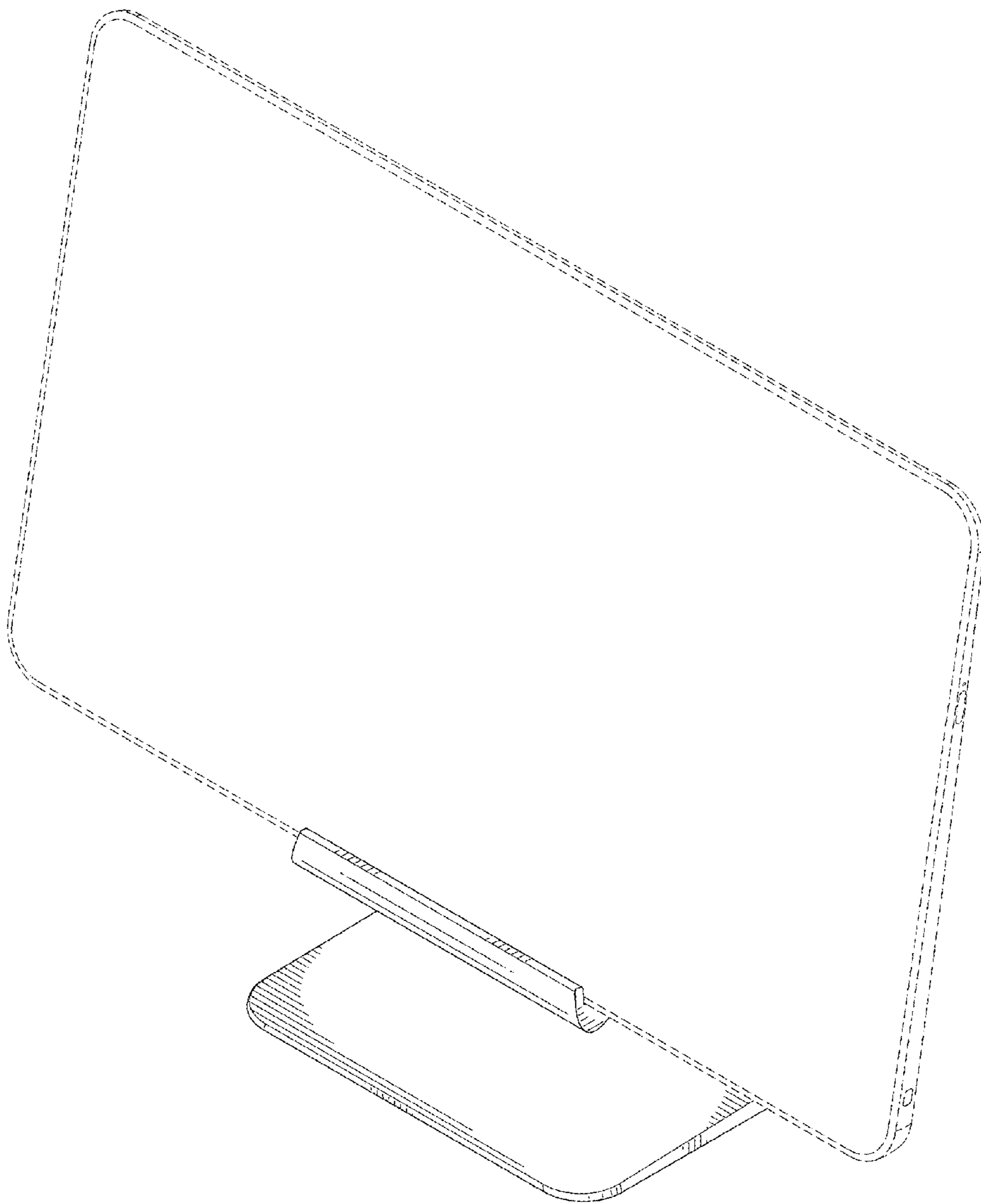


FIG. 10