



US00D703674S

(12) **United States Design Patent**
Zito et al.

(10) **Patent No.:** **US D703,674 S**
(45) **Date of Patent:** **** Apr. 29, 2014**

- (54) **UNIVERSAL TABLET AND SMARTPHONE HOLDER**
- (71) Applicants: **David Zito**, Pasadena, CA (US); **Grant J. Stafford**, San Juan Capistrano, CA (US)
- (72) Inventors: **David Zito**, Pasadena, CA (US); **Grant J. Stafford**, San Juan Capistrano, CA (US)

D453,155	S	*	1/2002	Michel	D14/253
D637,031	S	*	5/2011	Anderson	D6/601
D643,845	S	*	8/2011	Hong	D14/447
D652,045	S		1/2012	Hong		
D654,751	S	*	2/2012	Newnam	D6/601
D655,285	S	*	3/2012	Piccolo	D14/253
D670,523	S	*	11/2012	Fernandez	D6/601
D687,833	S	*	8/2013	Gittins	D14/447
D687,834	S	*	8/2013	Gittins	D14/447
D687,835	S	*	8/2013	Gittins	D14/447
2010/0213343	A1	*	8/2010	Opresnik	248/451
2010/0320341	A1		12/2010	Baumann et al.		

- (73) Assignee: **David Zito**, Pasadena, CA (US)
- (**) Term: **14 Years**

* cited by examiner

Primary Examiner — Angela J Lee

(21) Appl. No.: **29/447,752**

(74) *Attorney, Agent, or Firm* — Convergent Law Group LLP; Rick Batt

(22) Filed: **Mar. 6, 2013**

(51) **LOC (10) Cl.** **08-07**

(52) **U.S. Cl.**
USPC **D14/447**

(58) **Field of Classification Search**
USPC D14/447, 432, 434, 439, 448, 451, 452, D14/457, 239, 250, 251, 253, 238.1, 440, D14/205, 223, 224, 224.1, 229; D13/108; D6/406.1, 406.2, 406.3, 406.4, 406.5, D6/406.6, 601; 248/917-924, 363, 445, 248/447, 451, 455, 456, 460, 371, 166, 434, 248/188.6; 361/726, 679.02, 679.09, 361/679.21, 679.22, 679.26, 679.27, 361/679.29, 679.3, 679.55, 679.56; D21/333

See application file for complete search history.

(56) **References Cited**

U.S. PATENT DOCUMENTS

D293,186	S	*	12/1987	Parnham	D6/601
D358,270	S	*	5/1995	Diamond	D6/419
D389,360	S	*	1/1998	York et al.	D6/601

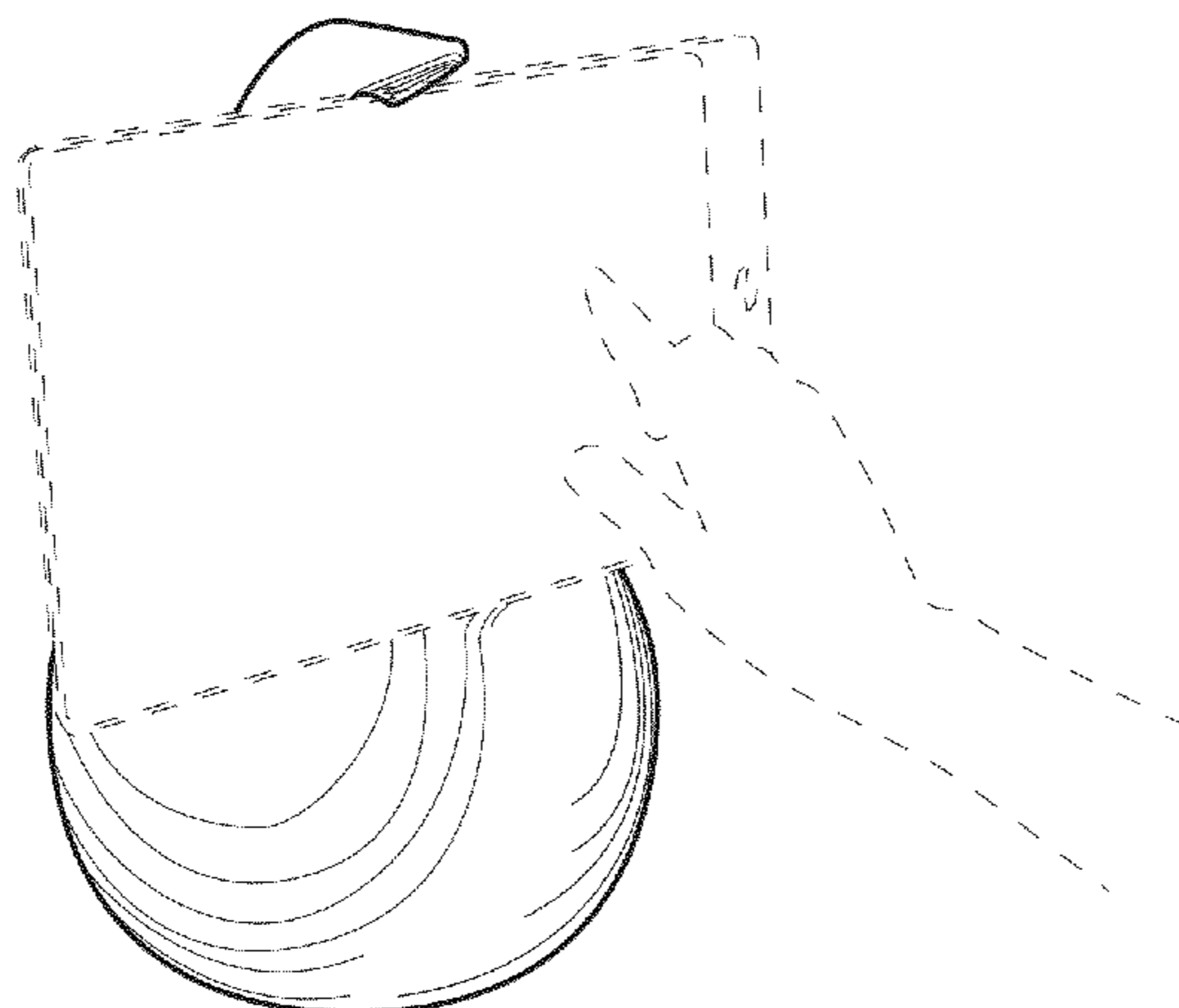
(57) **CLAIM**

The ornamental design for a universal tablet and smartphone holder, as shown and described.

DESCRIPTION

FIG. 1 is a top view of a universal tablet and smartphone holder our new design;
FIG. 2 is a front view thereof;
FIG. 3 is a side view thereof;
FIG. 4 is a bottom view thereof;
FIG. 5 is a perspective view thereof;
FIG. 6 is a perspective view of the universal table and smartphone holder in a use;
FIG. 7 is a side view thereof;
FIG. 8 is a bottom view thereof;
FIG. 9 is a top view thereof; and,
FIG. 10 is a front view thereof.
The broken lines shown in the figures form no part of the claimed design.

1 Claim, 5 Drawing Sheets



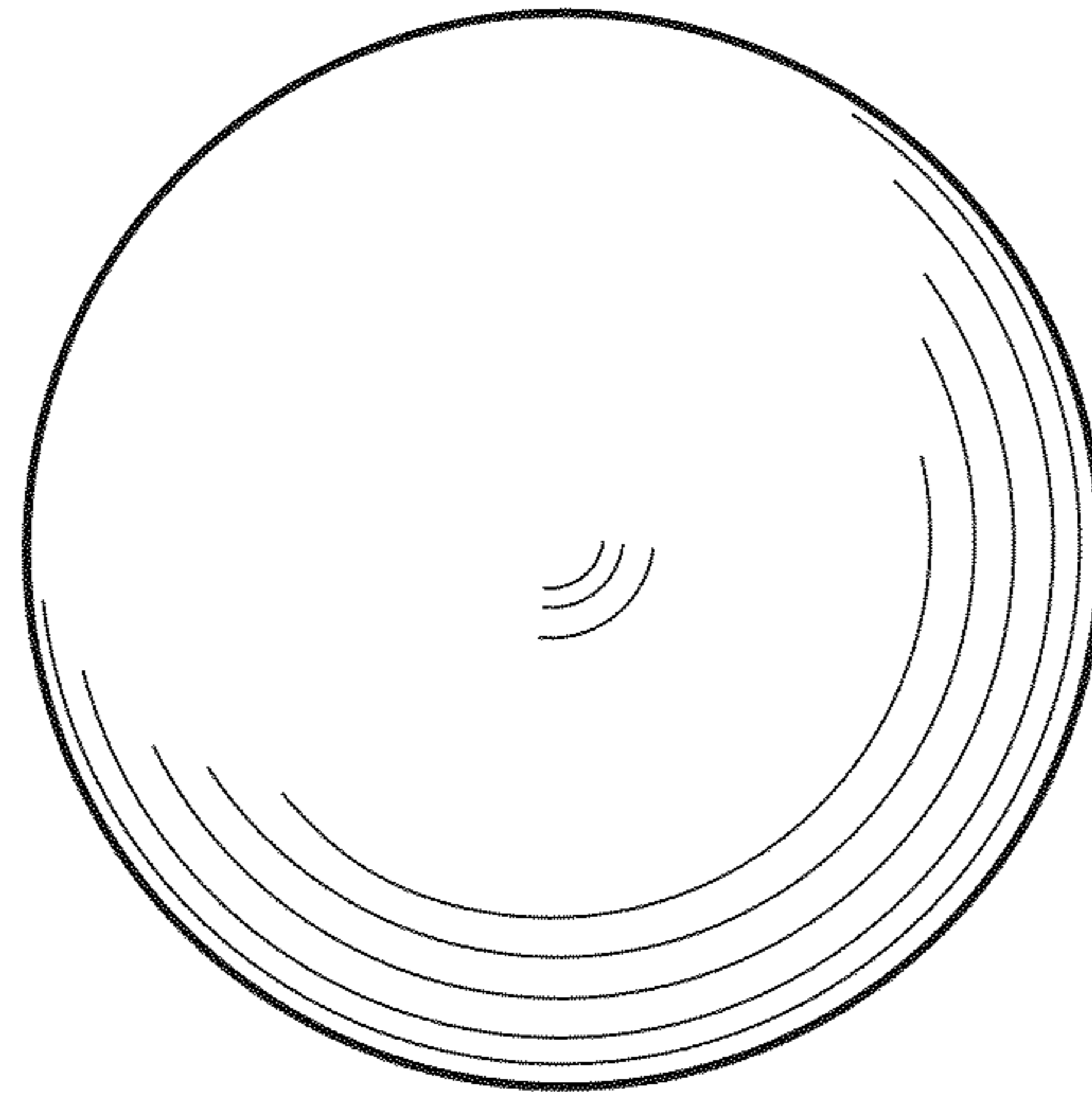


FIG. 1

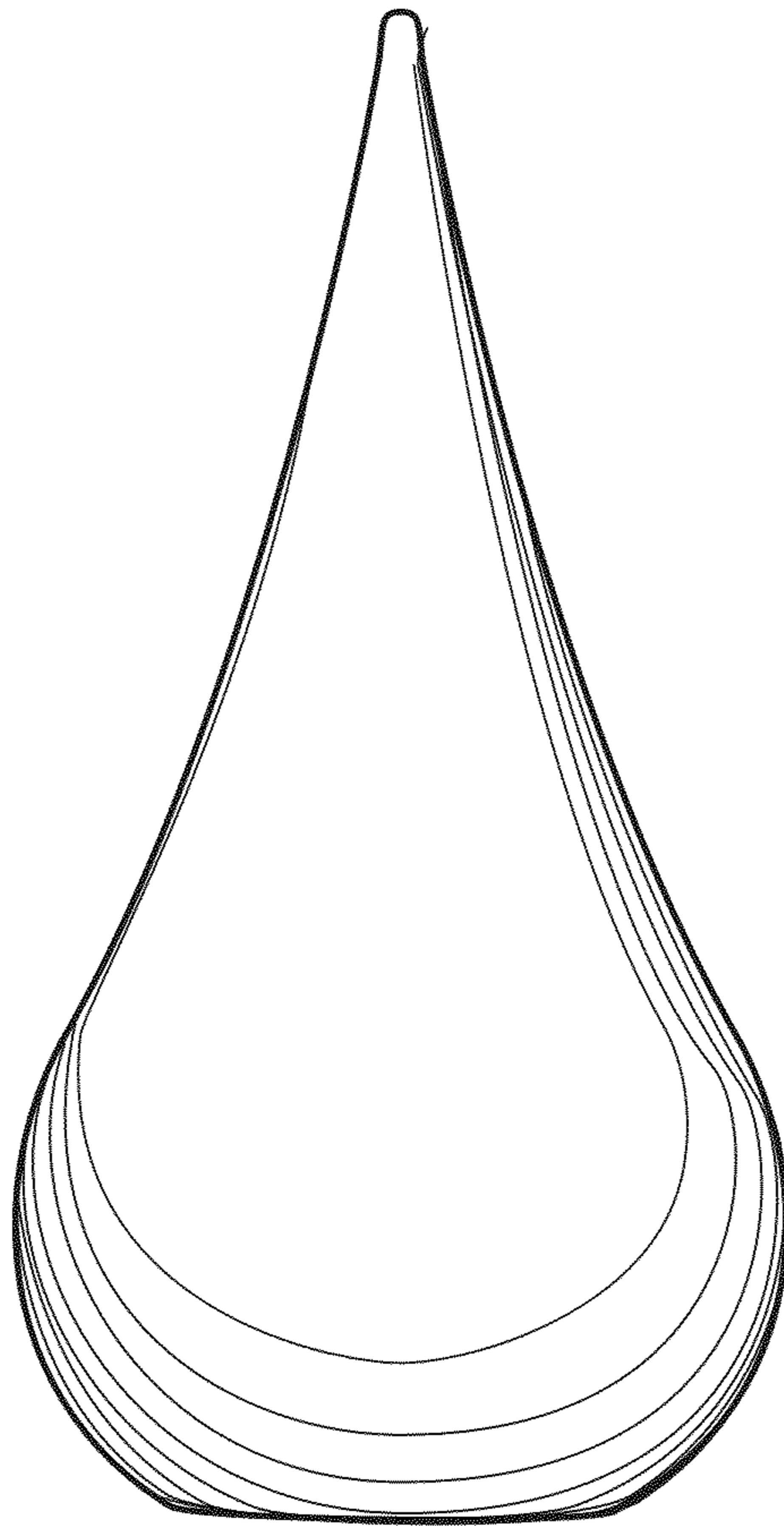


FIG. 2

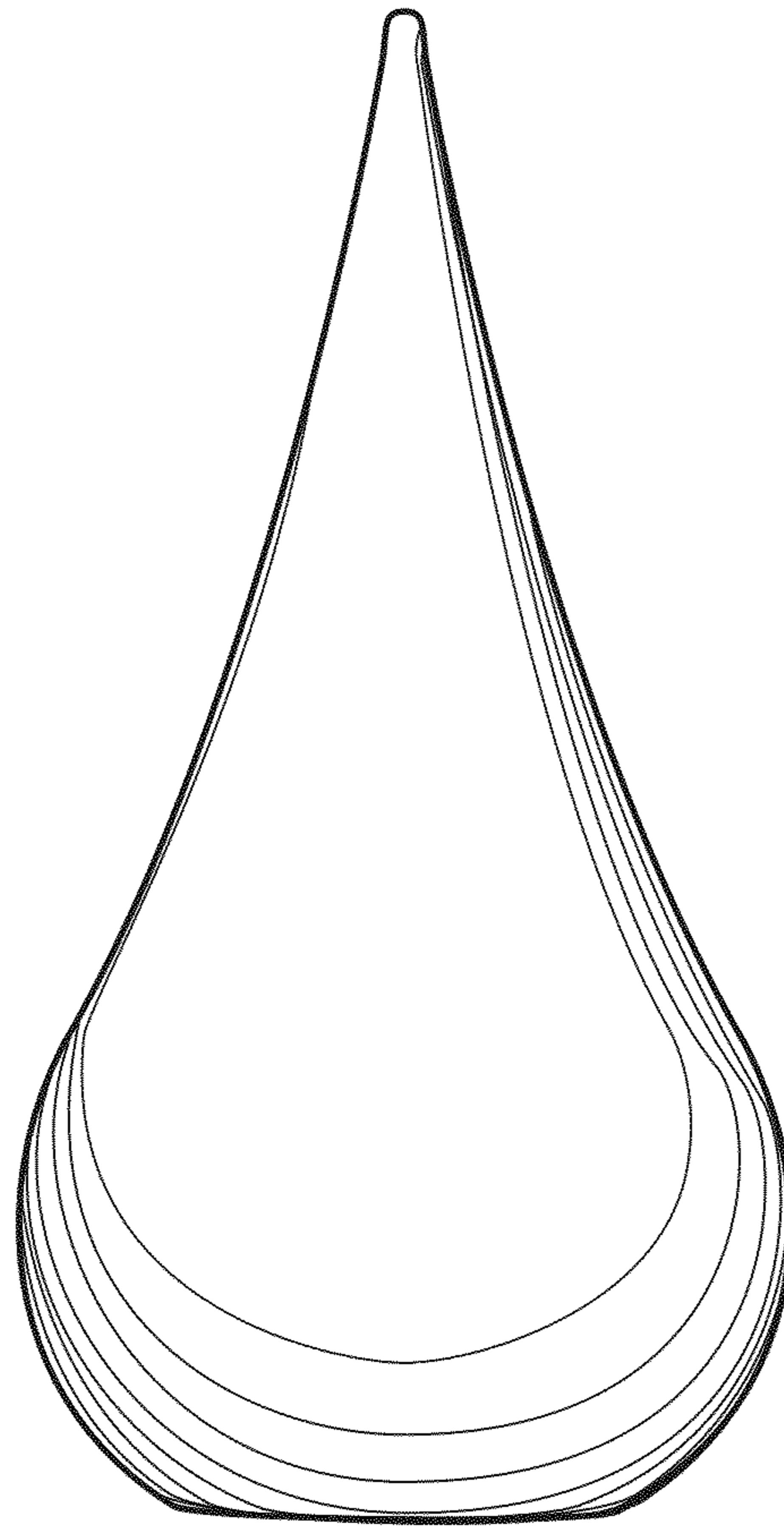


FIG. 3

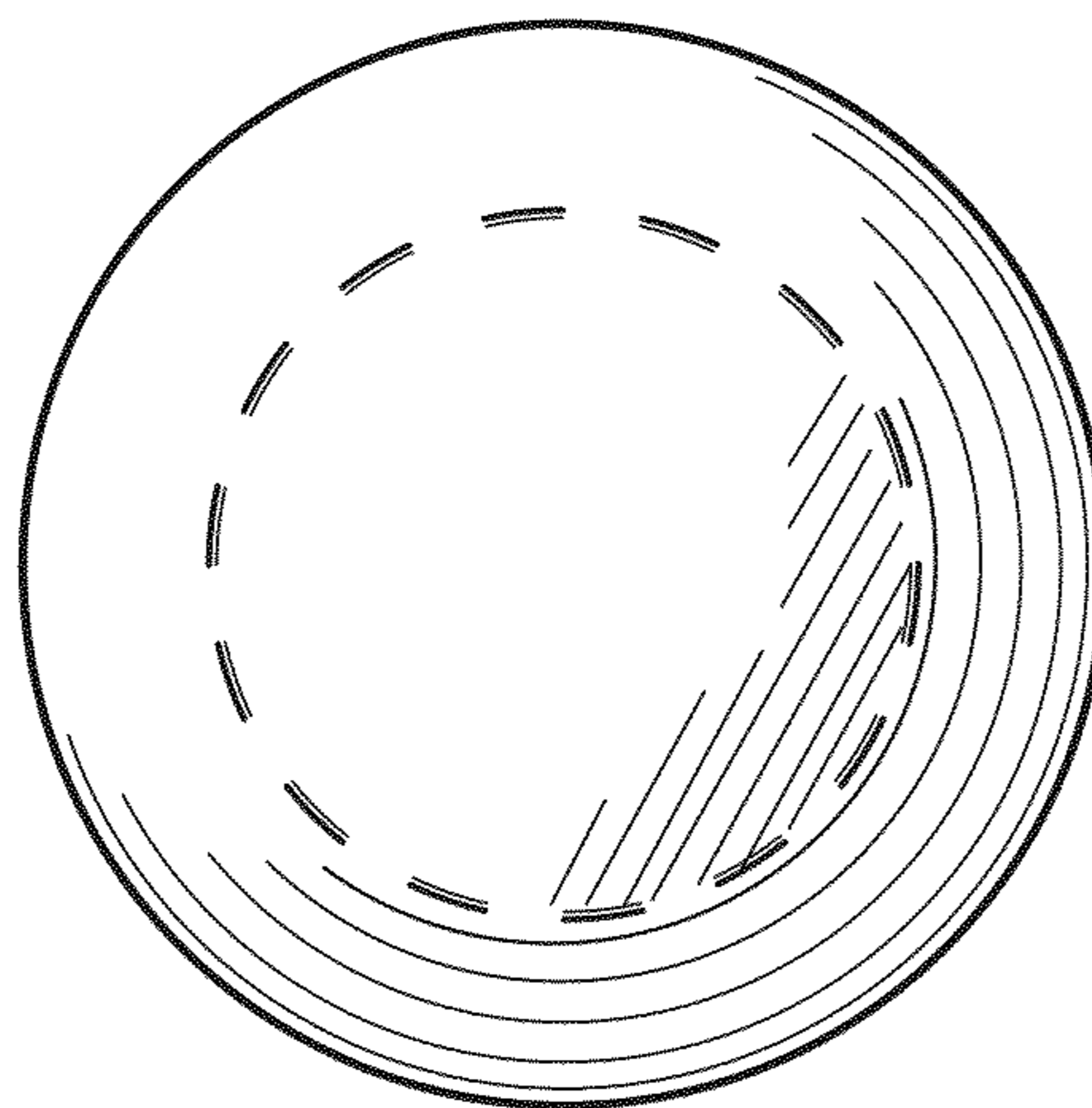


FIG. 4

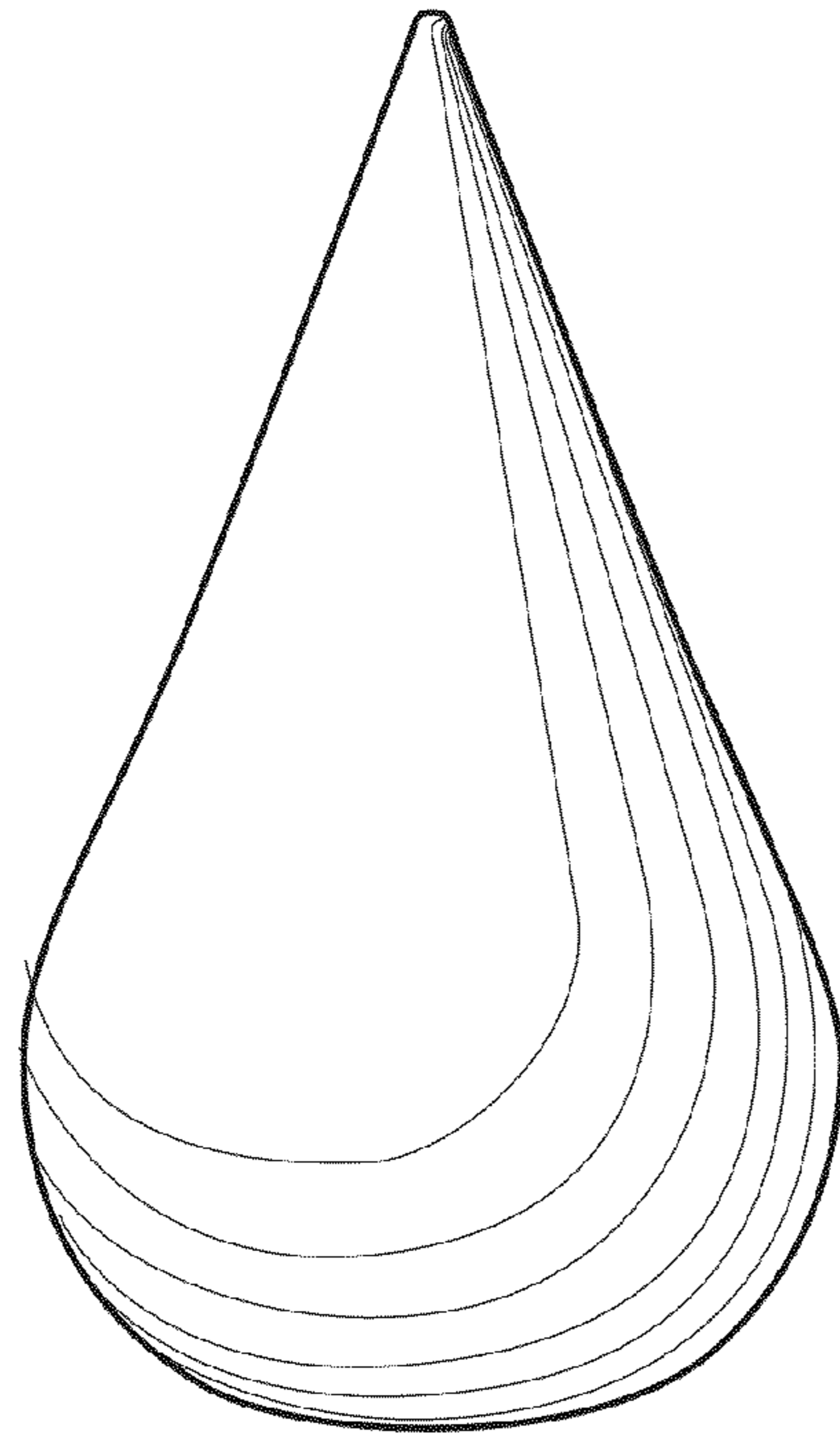


FIG. 5

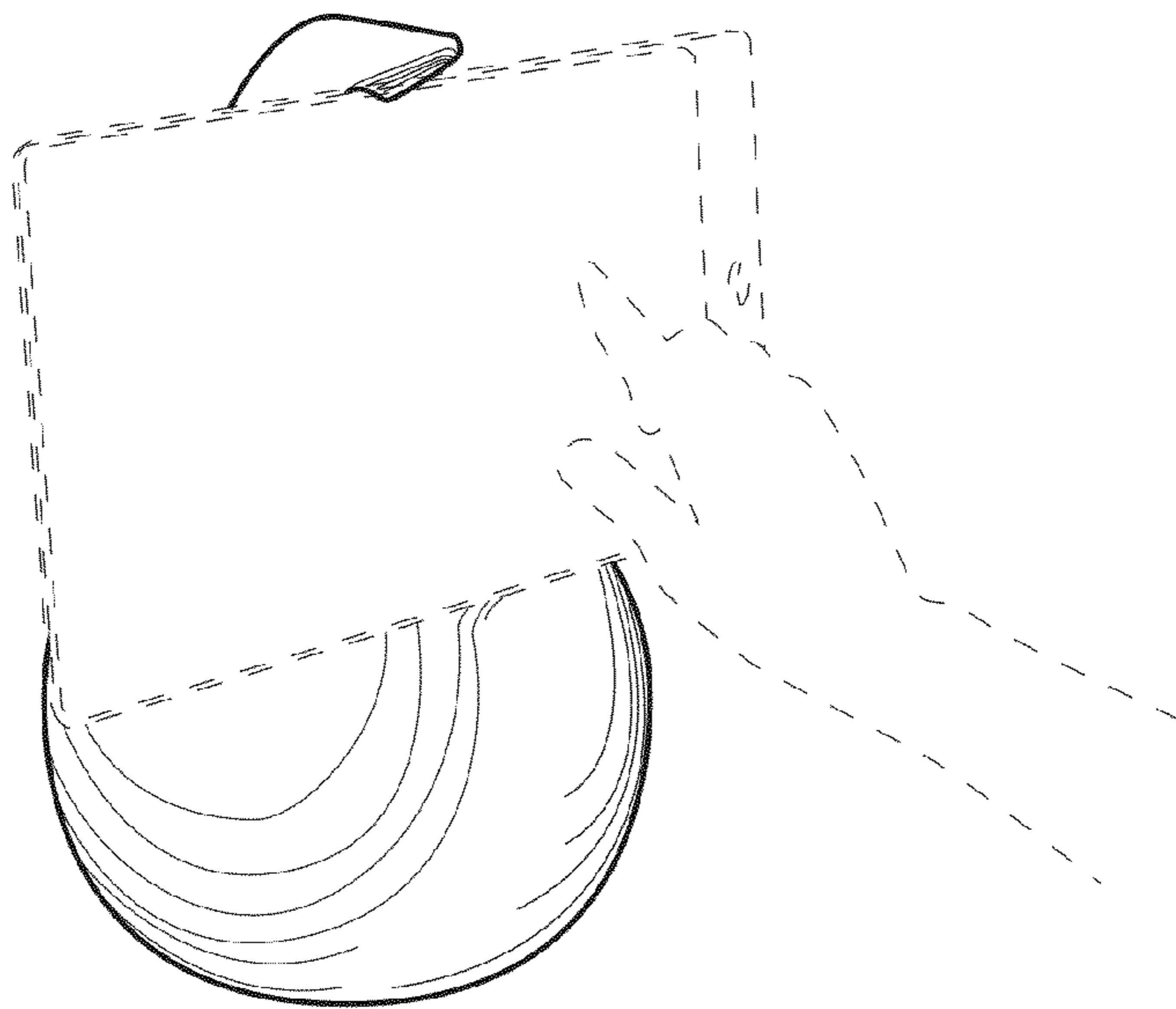


FIG. 6

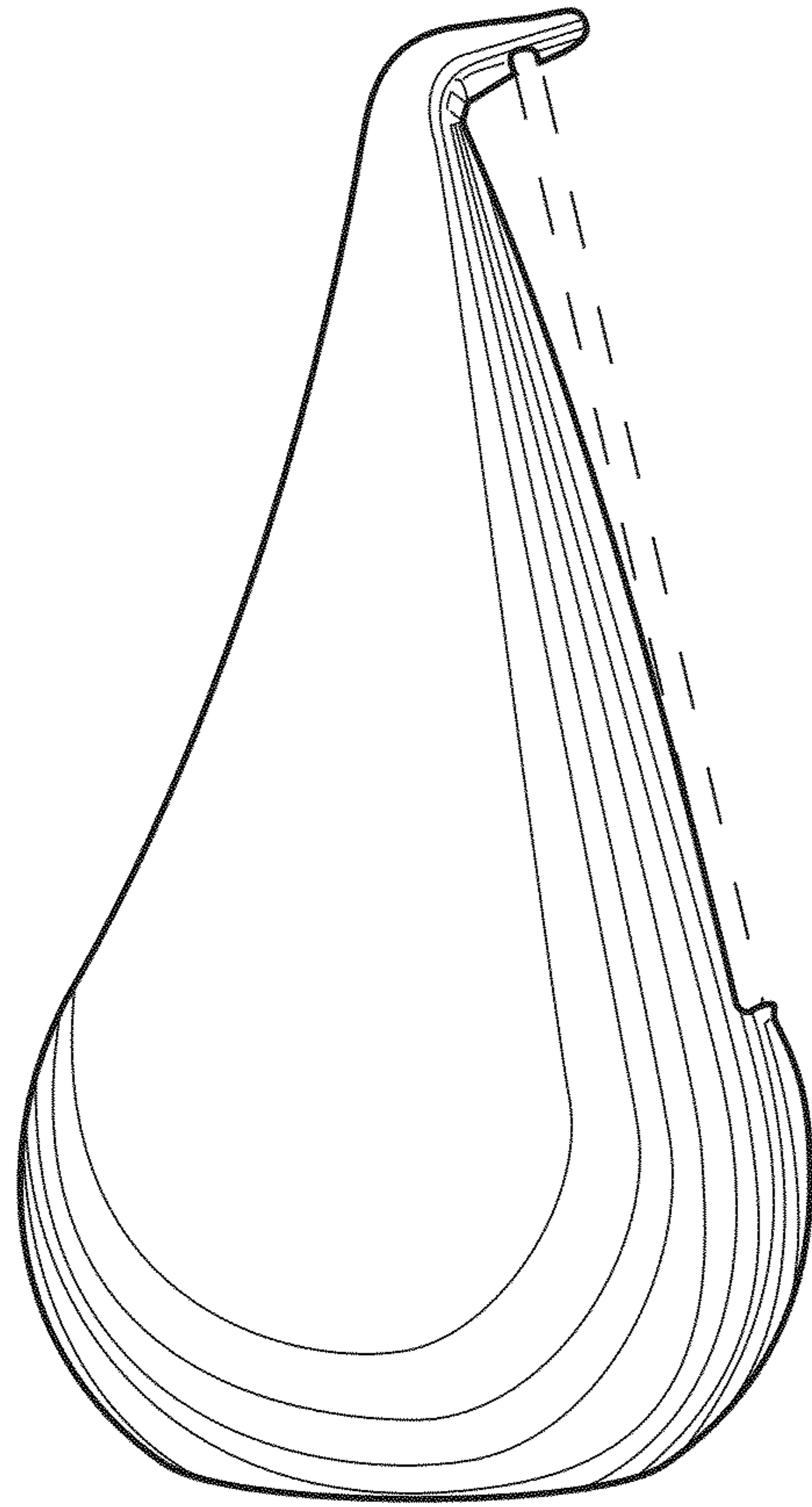


FIG. 7

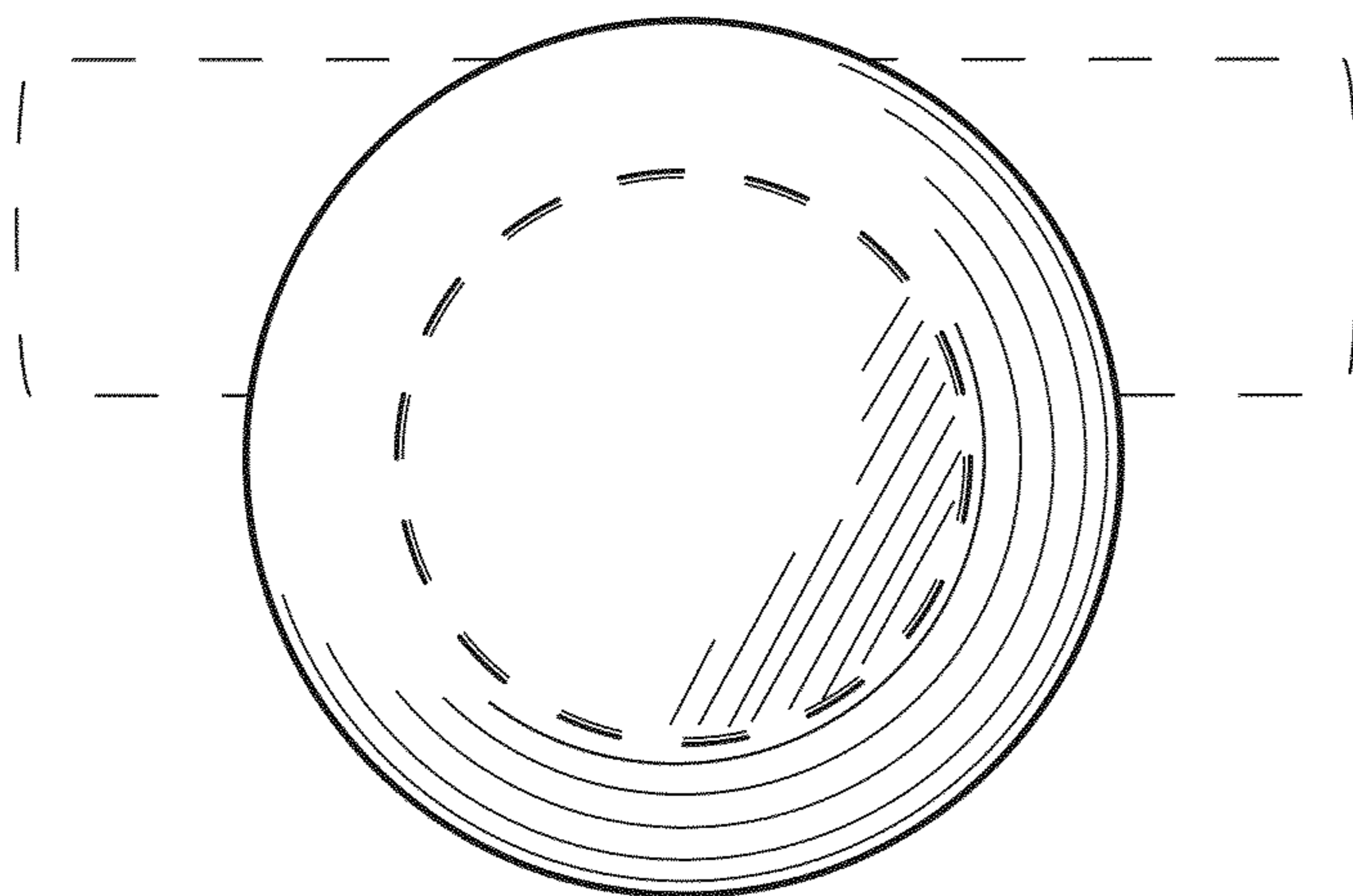


FIG. 8

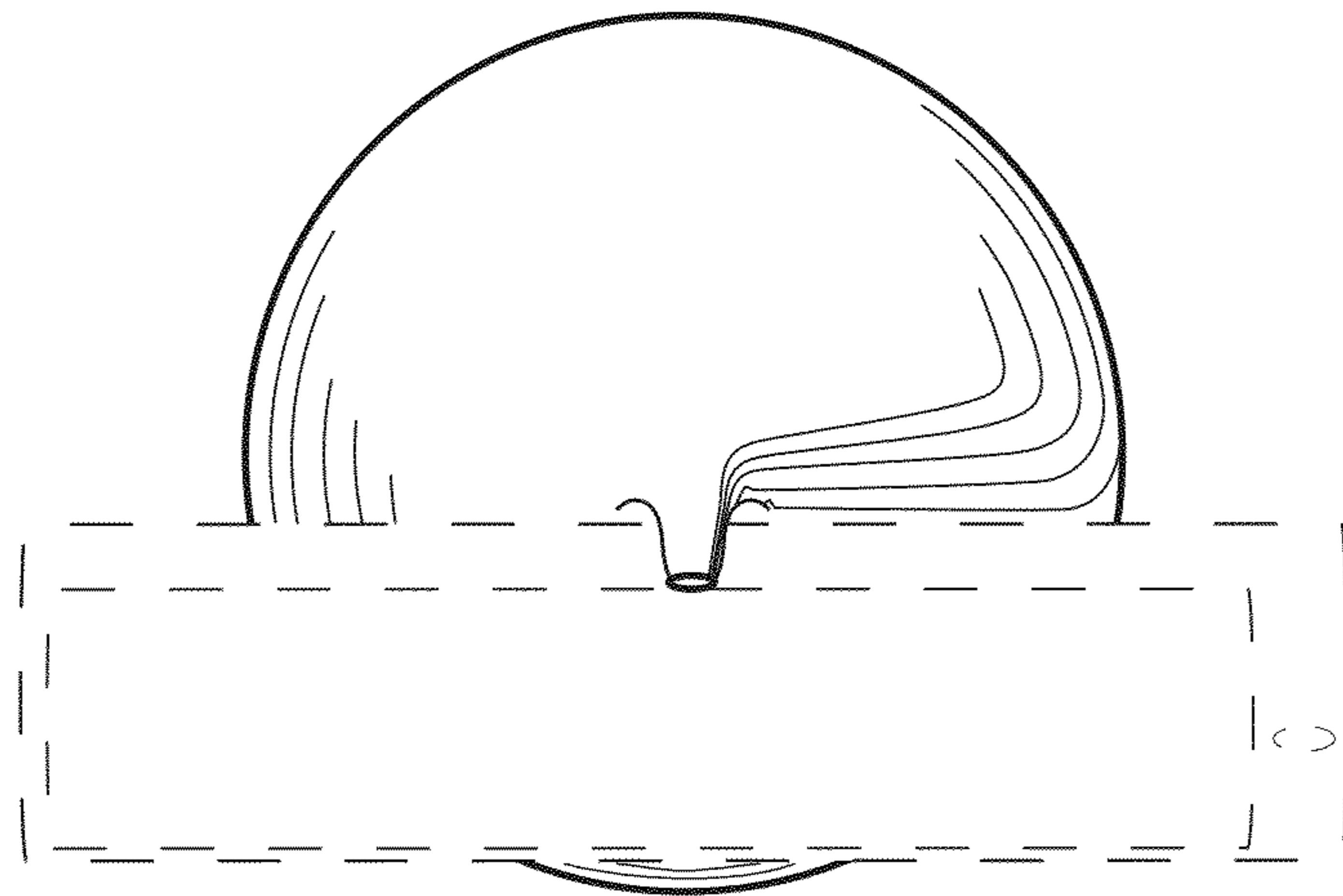


FIG. 9

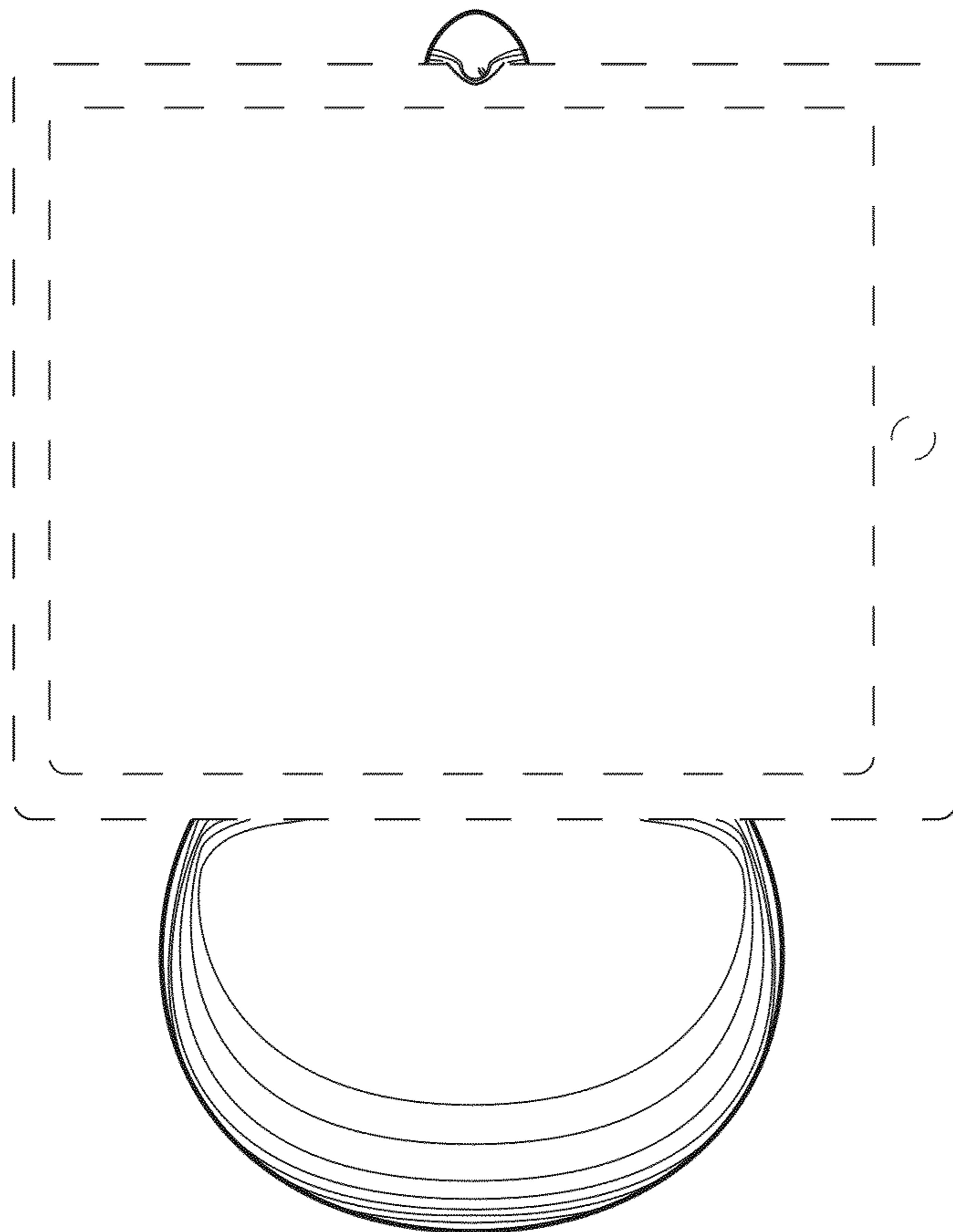


FIG. 10