



US00D703673S

(12) **United States Design Patent**  
**Kittlaus**

(10) **Patent No.:** **US D703,673 S**  
(45) **Date of Patent:** **\*\* Apr. 29, 2014**

(54) **DISPLAY STAND FOR A MOBILE TABLET COMPUTER**

(76) Inventor: **Erik Kittlaus**, Chicago, IL (US)

(\*\*) Term: **14 Years**

(21) Appl. No.: **29/428,039**

(22) Filed: **Jul. 25, 2012**

(51) **LOC (10) Cl.** ..... **08-07**

(52) **U.S. Cl.**  
USPC ..... **D14/447**

(58) **Field of Classification Search**

USPC ..... D14/432, 433, 434, 439, 440, 451, 452,  
D14/239, 217, 224.1, 251, 252, 253, 457,  
D14/458, 459, 460, 461; D6/406.1, 406.2,  
D6/406.3, 406.4, 406.5, 406.6;  
361/679.06, 679.21, 679.22, 679.24,  
361/679.26, 679.27, 679.28, 679.3, 679.55,  
361/679.56, 709; 248/917-924, 133, 136,  
248/139, 150, 176.1, 188.6; D13/108, 110;  
D12/415, 416

See application file for complete search history.

(56) **References Cited**

**U.S. PATENT DOCUMENTS**

D413,110 S \* 8/1999 Sweere et al. .... D14/447  
D557,259 S \* 12/2007 Hirsch ..... D14/217  
D621,840 S \* 8/2010 Buncher ..... D14/447

(Continued)

**OTHER PUBLICATIONS**

Horse, "Milo Smartphone Stand With Micro-Suction Technology,"  
Geeky Gadgets, available at <http://www.geeky-gadgets.com/milo-smartphone-stand-with-micro-suction-technology-17-7/19/2002>  
(May 2012).

*Primary Examiner* — Angela J Lee

(74) *Attorney, Agent, or Firm* — Marshall, Gerstein & Borun LLP

(57) **CLAIM**

The ornamental design for a display stand for a mobile tablet computer, as shown and described.

**DESCRIPTION**

FIG. 1 is a front, top, and side perspective view of a display stand for a mobile tablet computer that has the design, with a mobile tablet computer shown in broken lines.

FIG. 2 is a front, top, and side perspective view of the display stand, but shown without the mobile tablet computer in broken lines.

FIG. 3 is a front, top, and back perspective view of the display stand for a mobile tablet computer that has the design.

FIG. 4 is a right side elevation view of the display stand for a mobile tablet computer.

FIG. 5 is an enlargement of a portion of the right side elevation view of FIG. 4.

FIG. 6 is a front elevation view of the display stand for a mobile tablet computer.

FIG. 7 is a left side elevation view of the display stand for a mobile tablet computer.

FIG. 8 is a rear elevation view of the display stand for a mobile tablet computer.

FIG. 9 is a top plan view of the display stand for a mobile tablet computer; and,

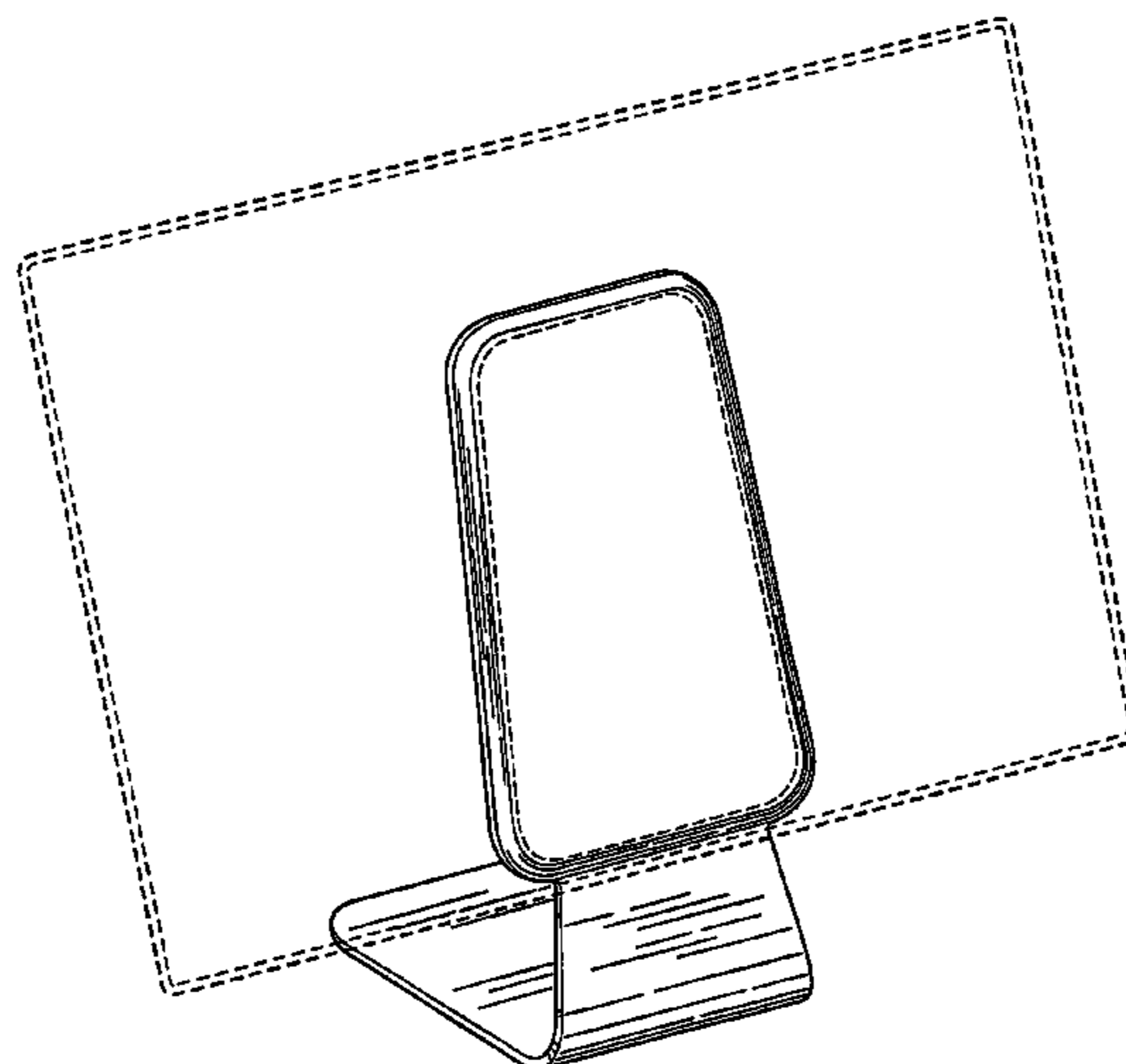
FIG. 10 is a bottom plan view of the display stand for a mobile tablet computer.

The outer broken lines in FIG. 1 are intended to show positioning of a mobile tablet computer on the display stand, and form no part of the claimed design.

The other broken lines in FIG. 1 and in FIGS. 2, 4-7, and 9 are intended to show positioning of a grip pad for removably mounting the mobile tablet computer on the display stand, and form no part of the claimed design.

The broken lines on the bottom of FIG. 7 and in FIG. 10 are intended to show positioning of a grip pad for securely positioning the display stand on a surface, and form no part of the claimed design.

**1 Claim, 5 Drawing Sheets**



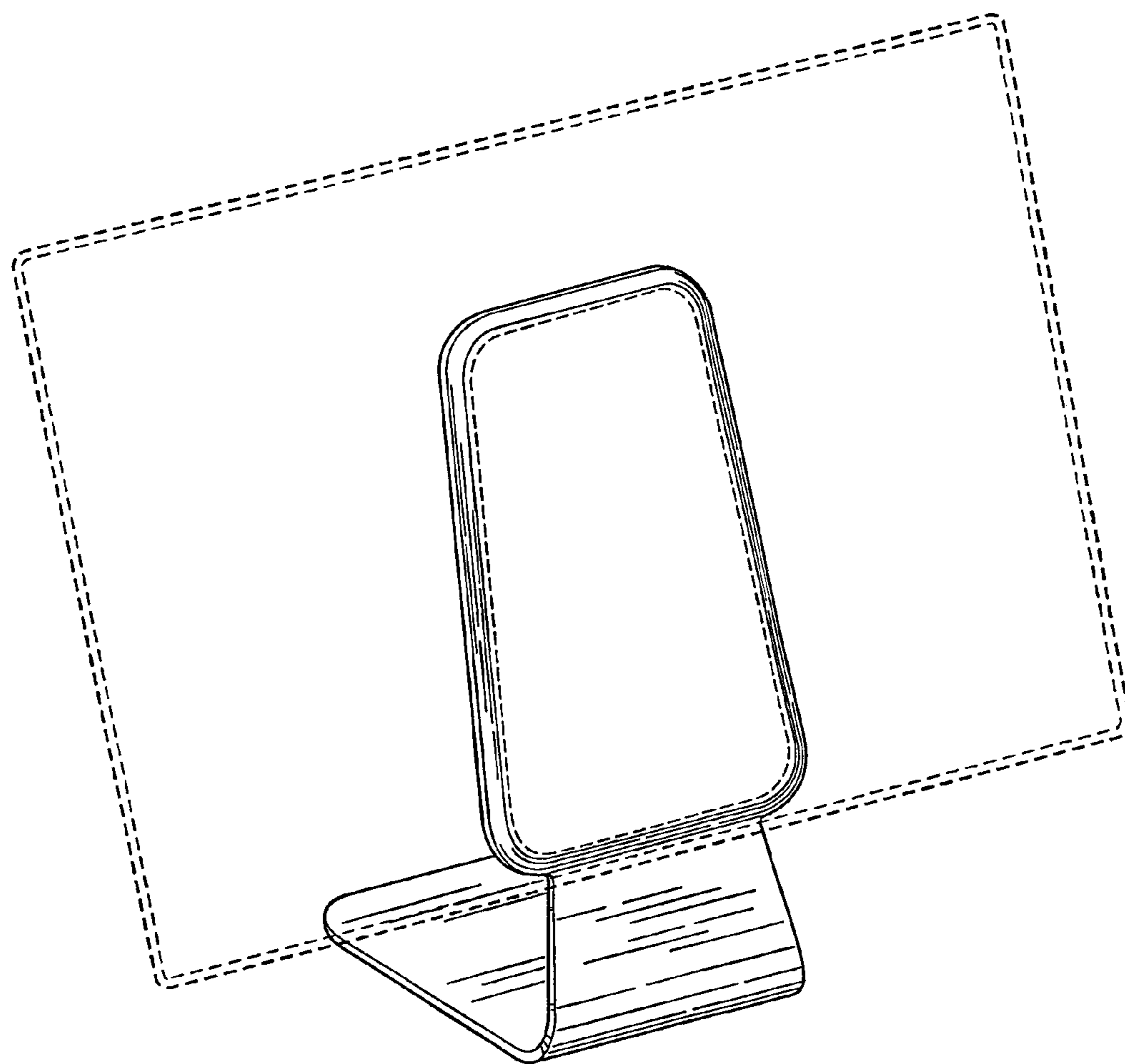
(56)

**References Cited**

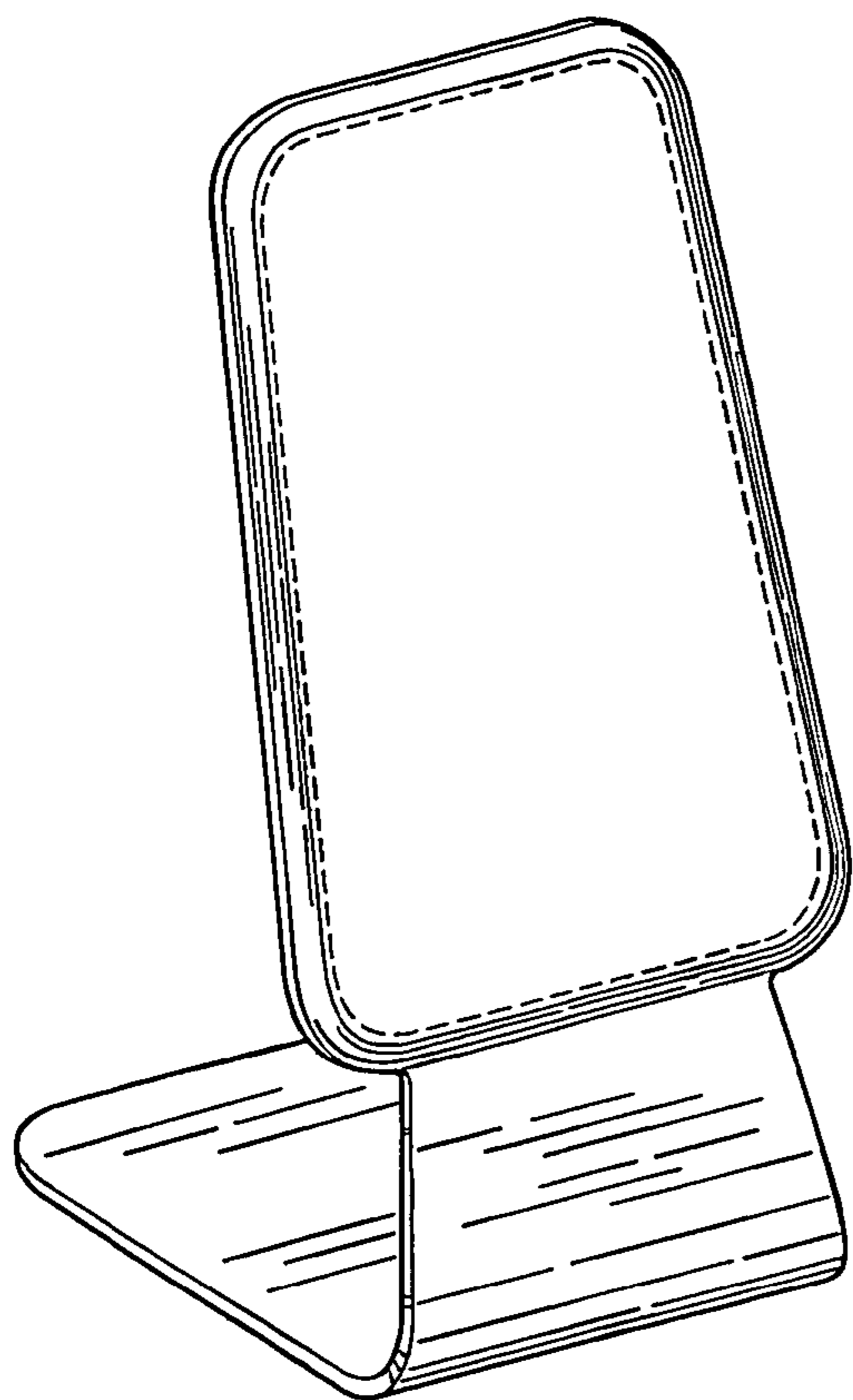
U.S. PATENT DOCUMENTS

D640,247 S *	6/2011	Baumann et al. ....	D14/253	D649,153 S *	11/2011	Symons .....	D14/447
D645,462 S *	9/2011	Choi .....	D14/253	D652,043 S *	1/2012	Lee .....	D14/447
D648,727 S *	11/2011	Van Den Nieuwenhuizen et al. ....	D14/447	D654,493 S *	2/2012	Baumann et al. ....	D14/253
				D666,995 S *	9/2012	TerMeer .....	D14/217
				D676,053 S *	2/2013	Izen et al. ....	D14/447
				D677,260 S *	3/2013	Hong et al. ....	D14/447
				D678,296 S *	3/2013	Lakraa et al. ....	D14/447

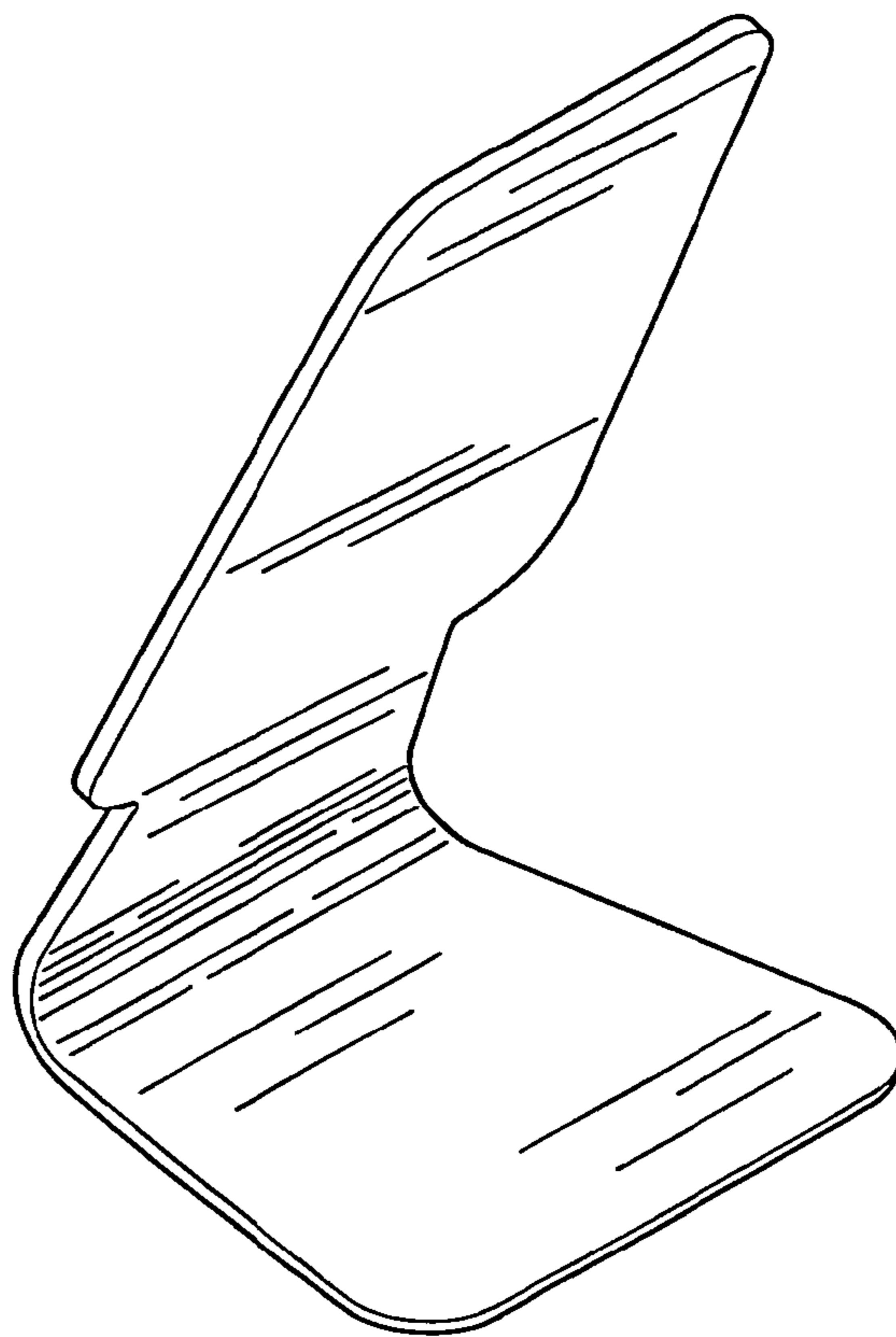
\* cited by examiner



**FIG. 1**

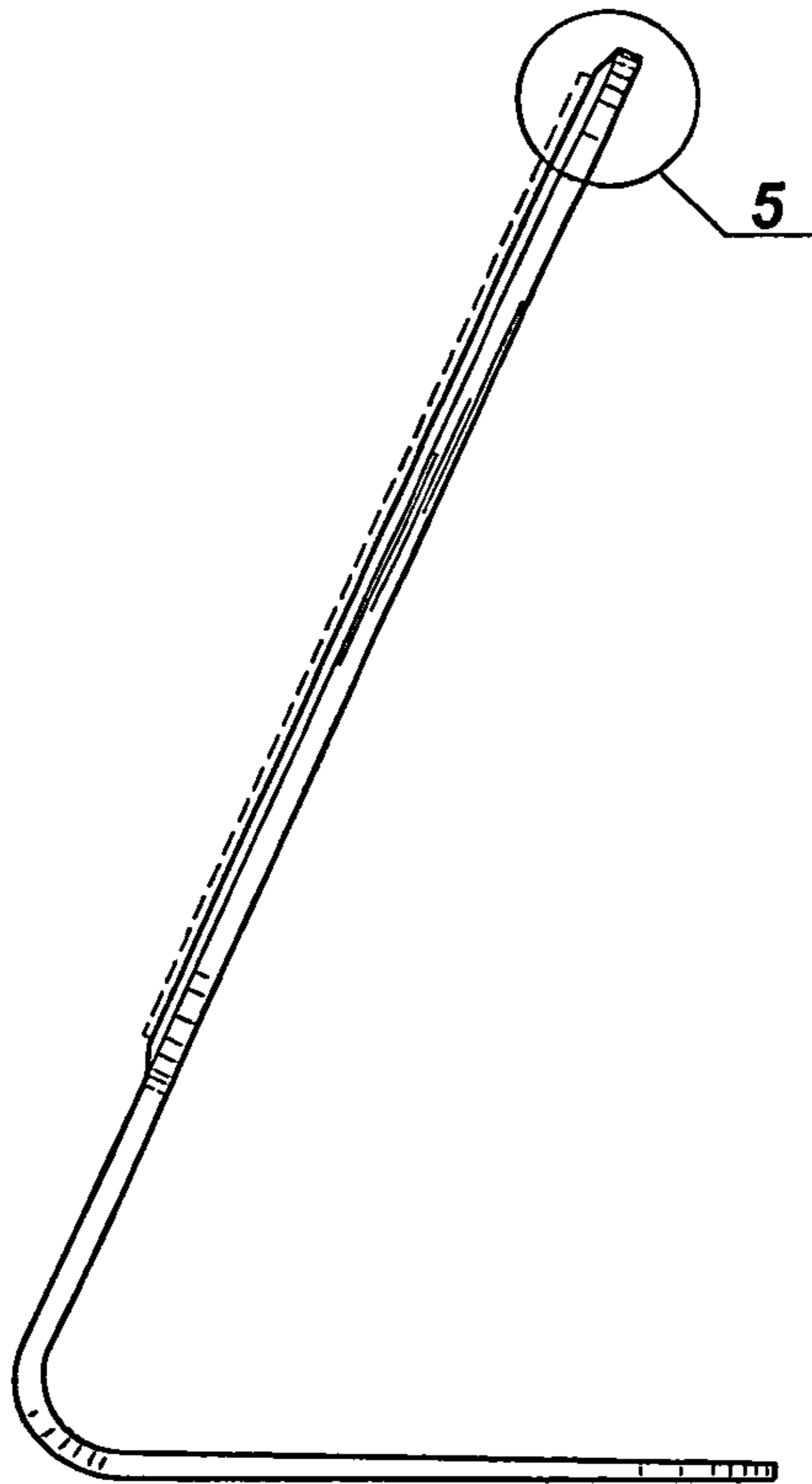


**FIG. 2**

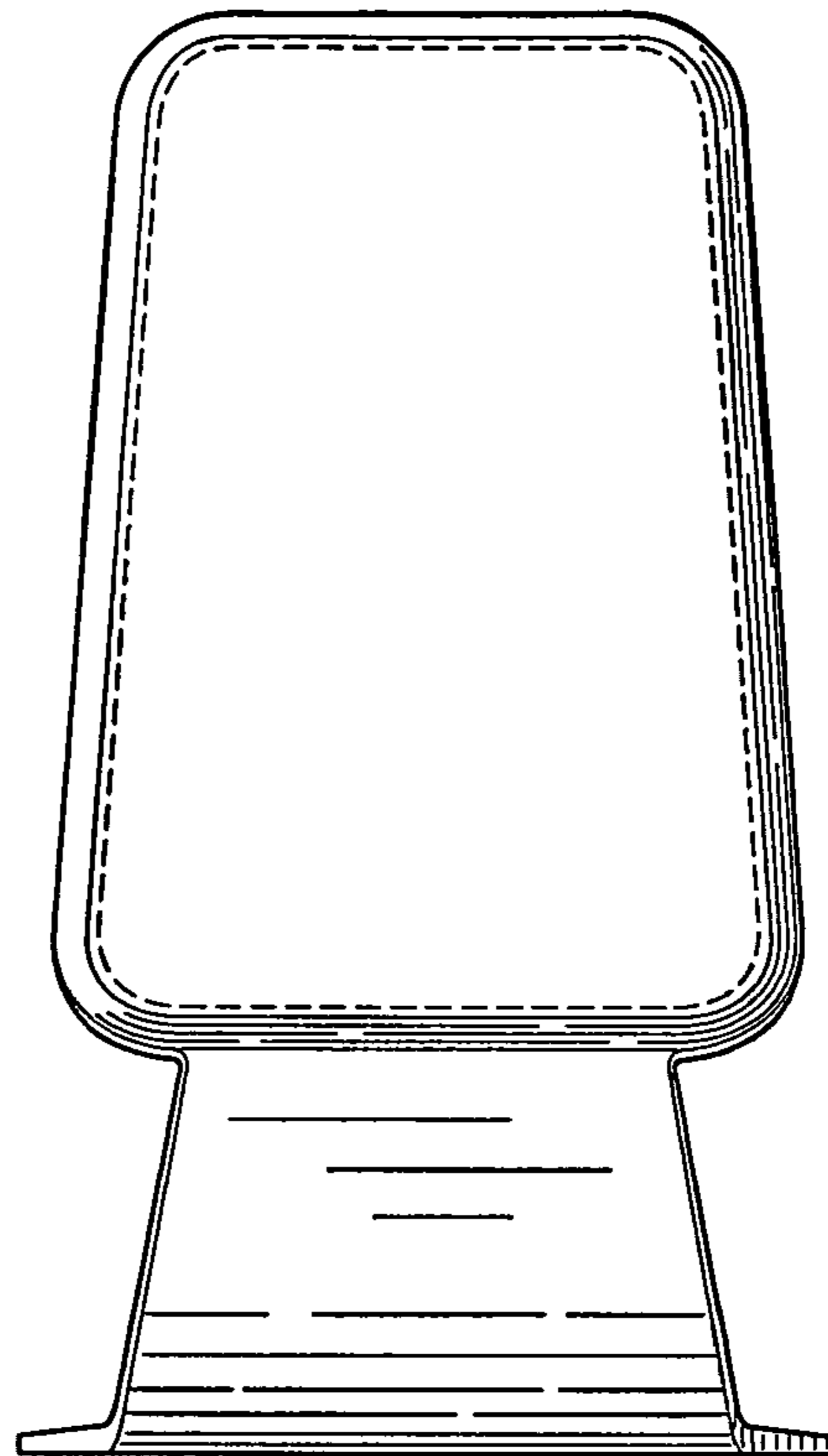


**FIG. 3**

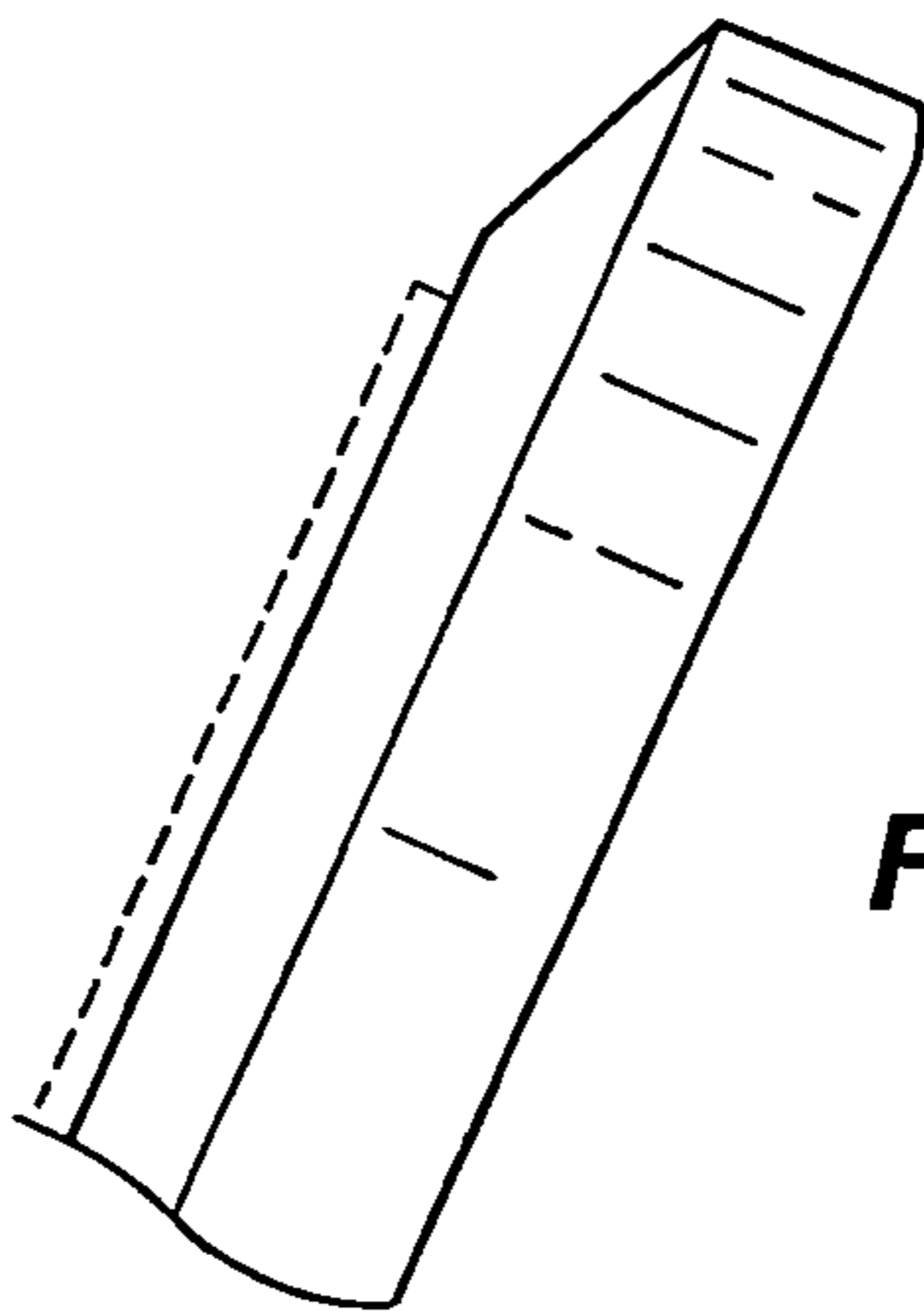
**FIG. 4**



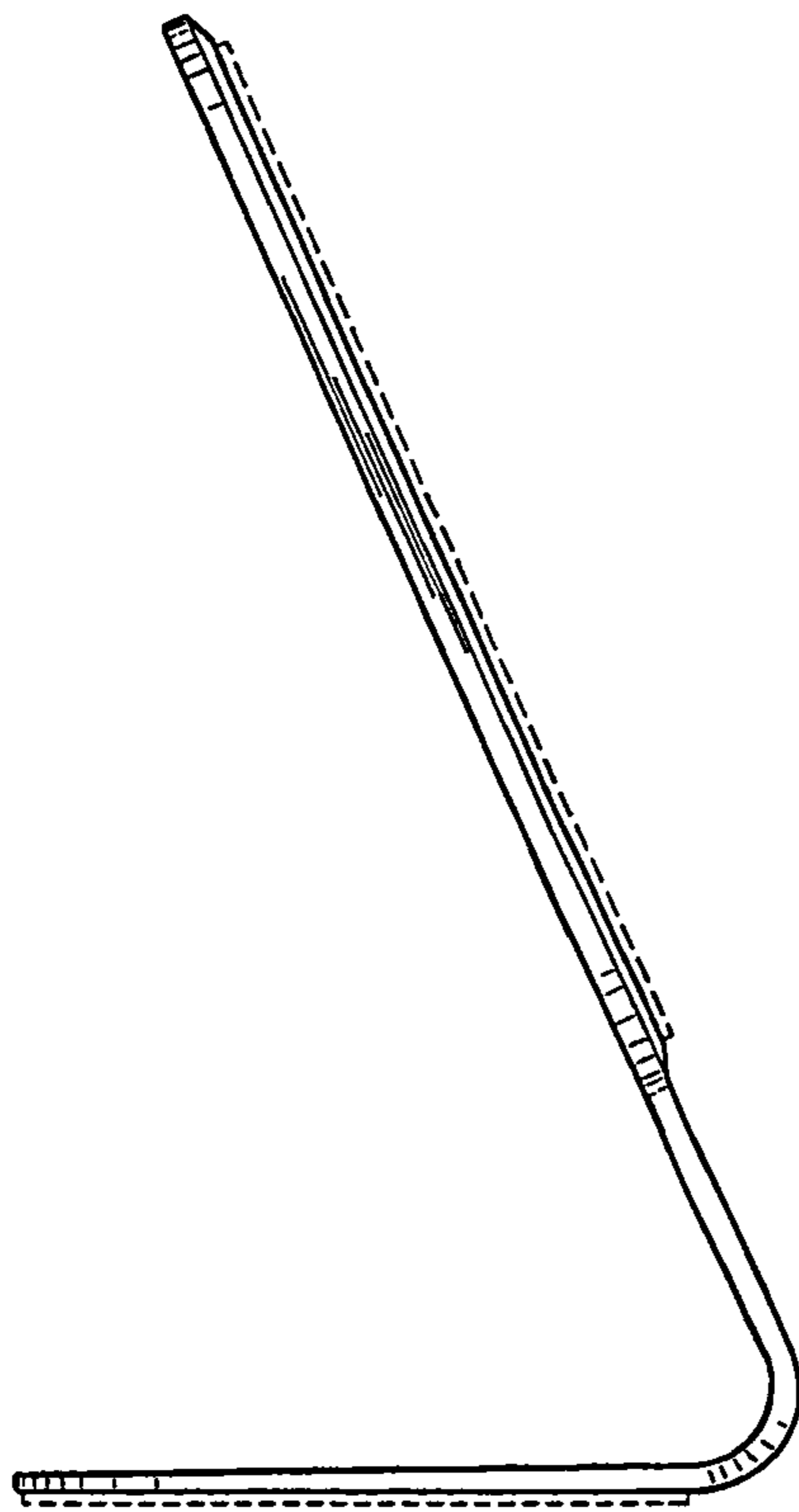
**FIG. 6**



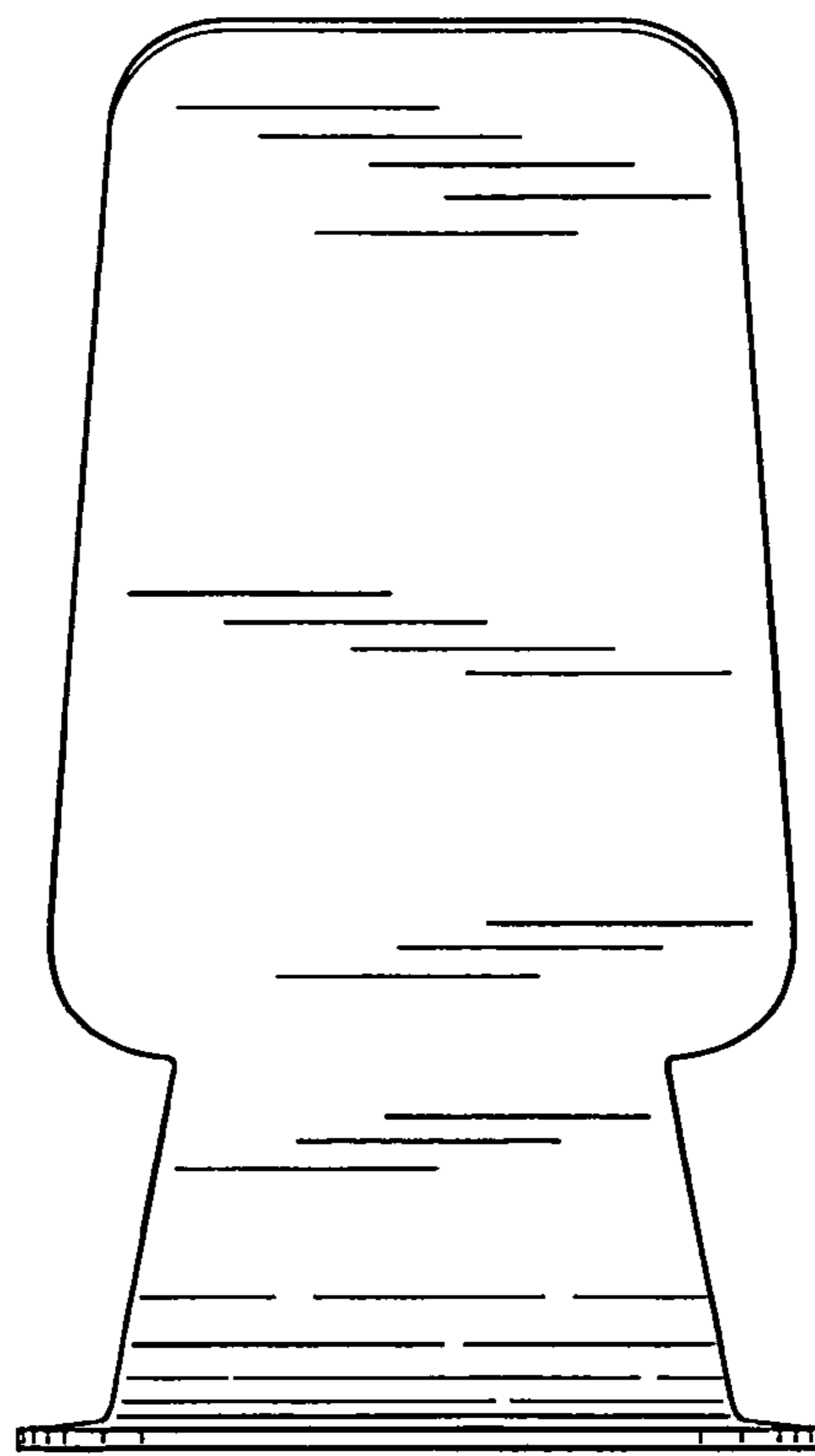
**FIG. 5**



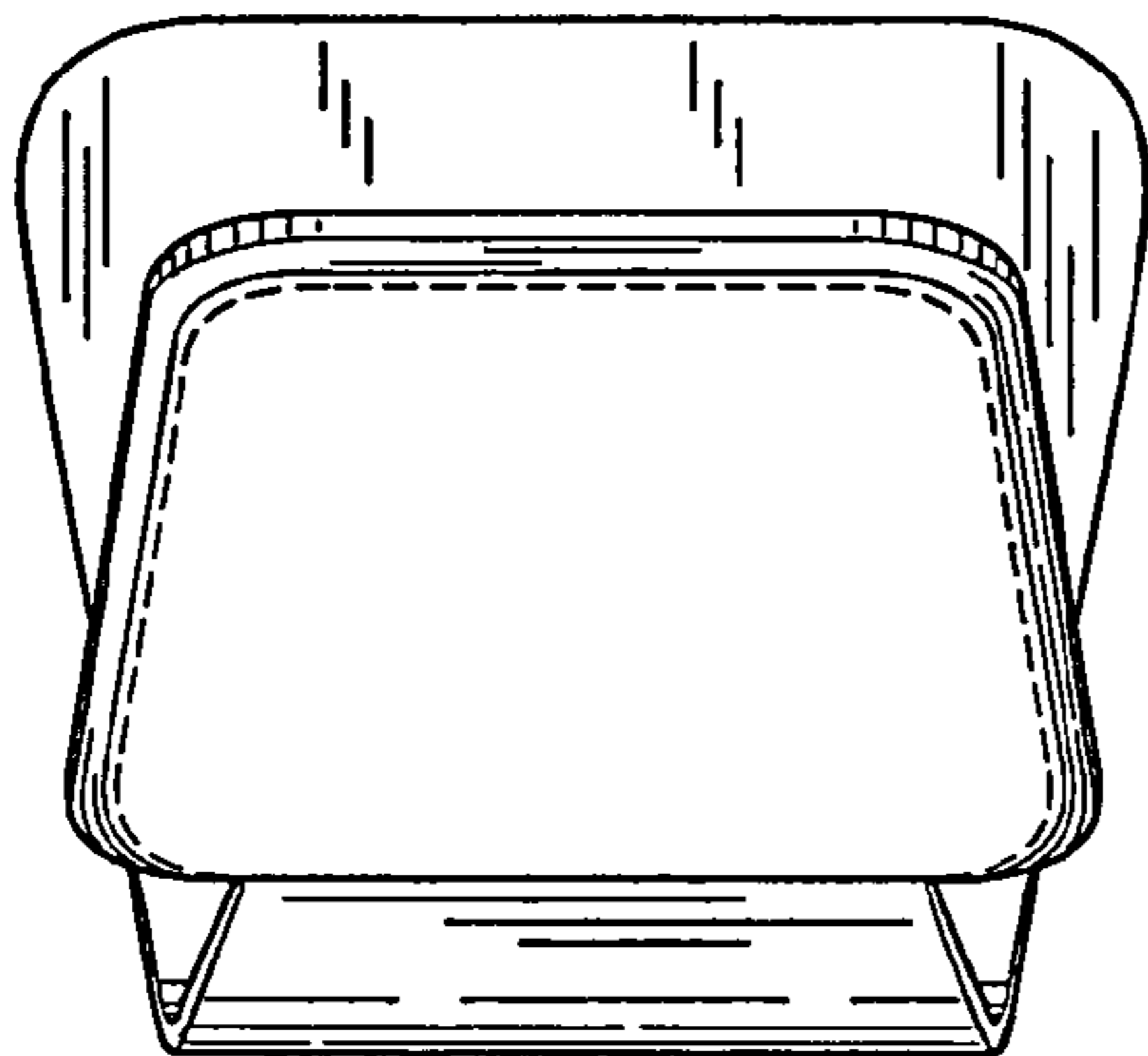
**FIG. 7**



**FIG. 8**



**FIG. 9**



**FIG. 10**

