



US00D703672S

(12) **United States Design Patent**  
**Kim et al.**

(10) **Patent No.:** **US D703,672 S**  
(45) **Date of Patent:** **\*\* Apr. 29, 2014**

(54) **CASE FOR A TABLET COMPUTER**

(75) Inventors: **Min-Jung Kim**, Kyunggi-Do (KR);  
**Dong-Seok Lee**, Seoul (KR); **Jae-Seung Song**, Seoul (KR)

(73) Assignee: **Samsung Electronics Co., Ltd.**,  
Suwon-Si (KR)

(\*\*) Term: **14 Years**

(21) Appl. No.: **29/424,016**

(22) Filed: **Jun. 7, 2012**

(30) **Foreign Application Priority Data**

Dec. 14, 2011 (KR) ..... 30-2011-0053128

(51) **LOC (10) Cl.** ..... **14-02**

(52) **U.S. Cl.**  
USPC ..... **D14/440**

(58) **Field of Classification Search**  
USPC ..... D14/250, 251, 253, 240, 217, 496, 440,  
D14/203.3, 203.4, 203.5, 203.8, 341, 318,  
D14/328; D3/218, 215, 201, 294, 289, 900;  
220/4.02; 248/309.1; 361/679.56;  
379/426, 433.11, 455; 455/575.1,  
455/575.8; 190/100; 206/305, 320;  
D21/469

See application file for complete search history.

(56) **References Cited**

**U.S. PATENT DOCUMENTS**

D156,107 S \* 11/1949 Horton, Jr. et al. .... D3/276  
D279,489 S \* 7/1985 Mak ..... D21/469  
D338,045 S \* 8/1993 Rosen ..... D14/400  
D354,947 S \* 1/1995 Peart ..... D14/341  
D363,511 S \* 10/1995 Hui ..... D21/329  
D384,980 S \* 10/1997 Willems et al. .... D21/329  
D412,317 S \* 7/1999 Horiki et al. .... D14/318  
D483,358 S \* 12/2003 Hsu ..... D14/328  
D492,302 S \* 6/2004 Whitehorn et al. .... D14/328

D492,303 S \* 6/2004 Schlieffers et al. .... D14/341  
D498,753 S \* 11/2004 Yamada ..... D14/328  
D516,553 S \* 3/2006 Richardson et al. .... D14/341  
D532,822 S \* 11/2006 White et al. .... D19/52  
D577,912 S \* 10/2008 Sween et al. .... D3/282  
D578,129 S \* 10/2008 Weber ..... D14/440  
D594,004 S \* 6/2009 Takemasa ..... D14/341  
D611,467 S \* 3/2010 Gou ..... D14/315  
D677,891 S \* 3/2013 Janus ..... D3/289  
2004/0228076 A1 \* 11/2004 Clapper ..... 361/681

**OTHER PUBLICATIONS**

U.S. Appl. No. 29/425,825, Applicant: Lee et al., filed Jun. 27, 2012,  
entitled Case for a Slate Computer.

\* cited by examiner

*Primary Examiner* — Cynthia Underwood

(74) *Attorney, Agent, or Firm* — Wood, Herron & Evans,  
LLP

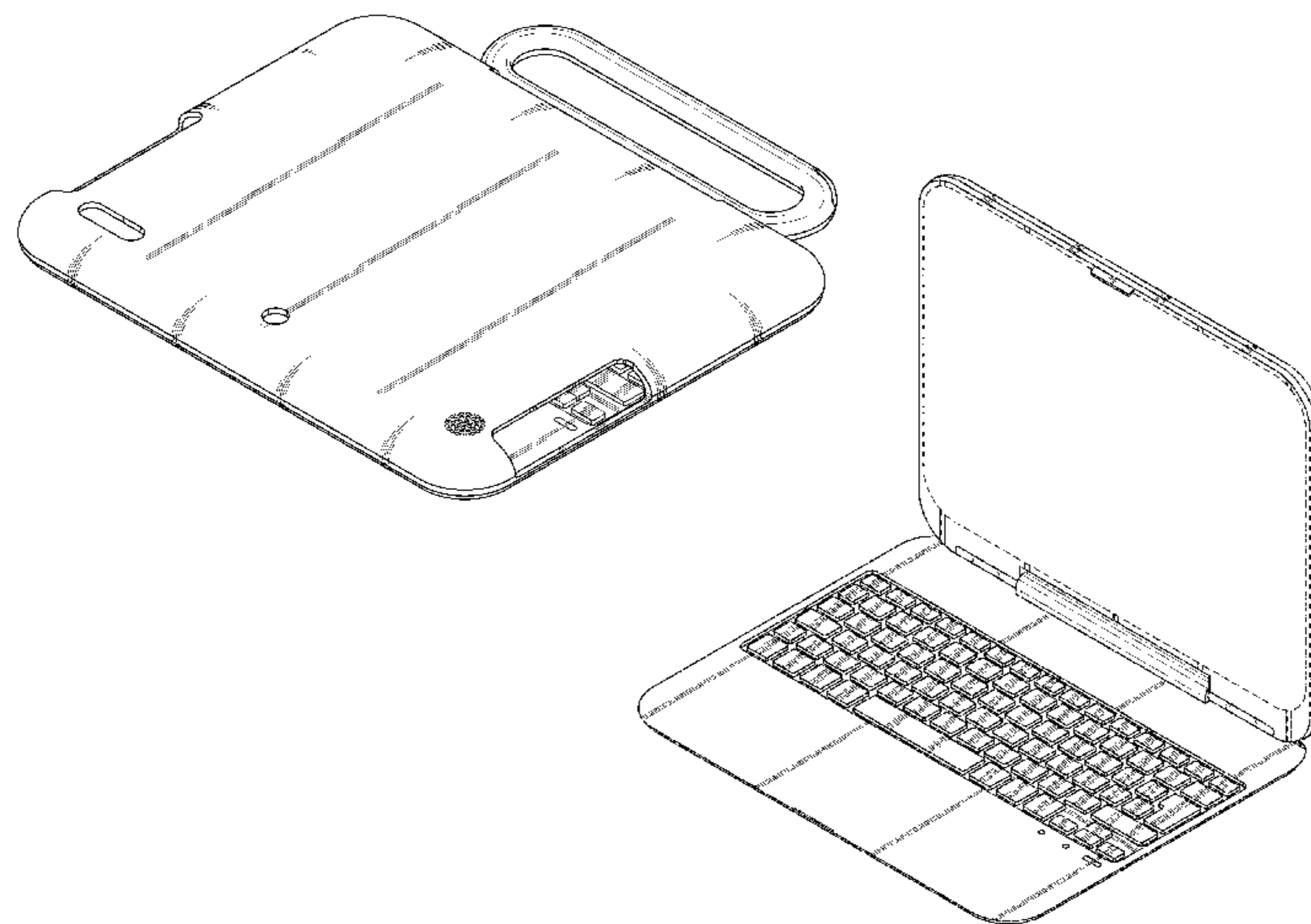
(57) **CLAIM**

The ornamental design for a case for a tablet computer, as  
shown and described.

**DESCRIPTION**

FIG. 1 is a top front perspective view of a case for a tablet  
computer showing our new design;  
FIG. 2 is a front elevational view thereof;  
FIG. 3 is a rear elevational view thereof;  
FIG. 4 is a left side elevational view thereof;  
FIG. 5 is a right side elevational view thereof;  
FIG. 6 is a top plan view thereof;  
FIG. 7 is a bottom plan view thereof;  
FIG. 8 is a perspective view thereof when the present case is  
opened; and,  
FIG. 9 is a perspective view thereof when a tablet computer,  
as shown in broken lines, is equipped into the inside of the  
upper case. The dash lines are only shown for environmental  
purpose and form no part of the claimed design.

**1 Claim, 6 Drawing Sheets**



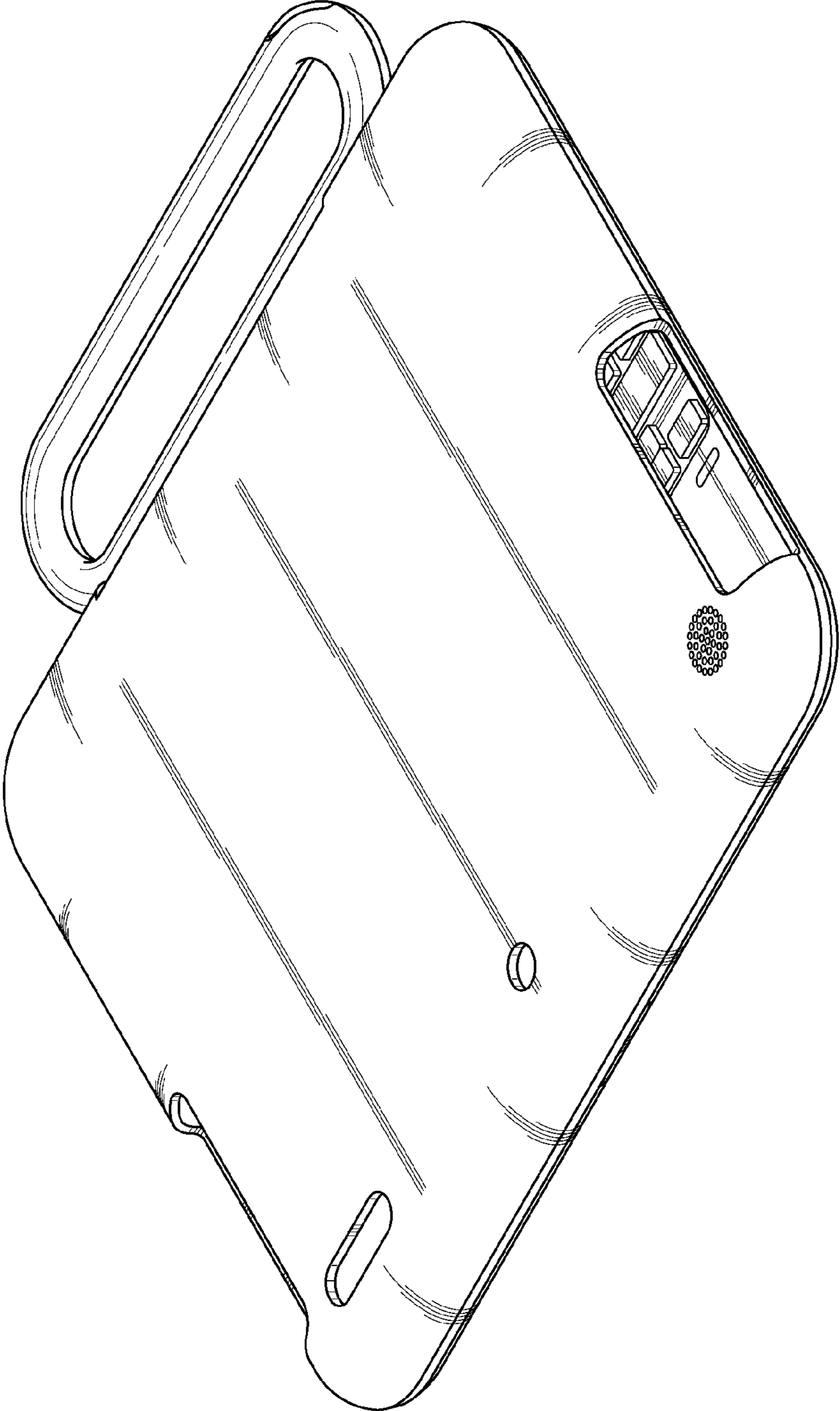


FIG.1

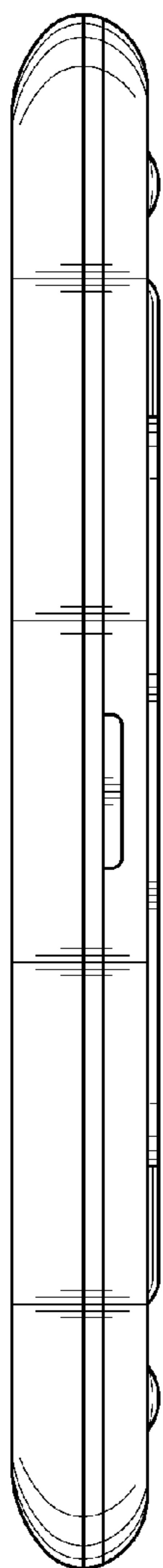


FIG. 2

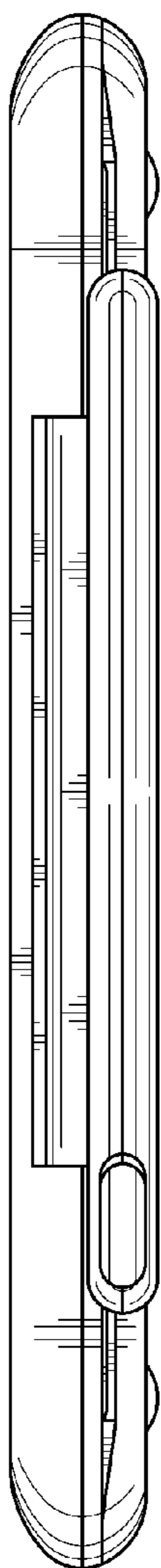


FIG. 3

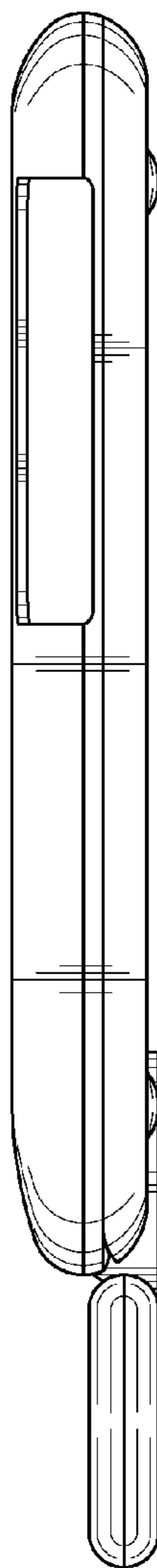


FIG. 4

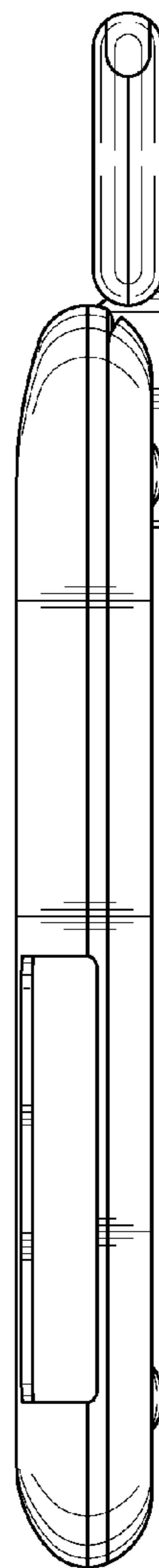


FIG. 5

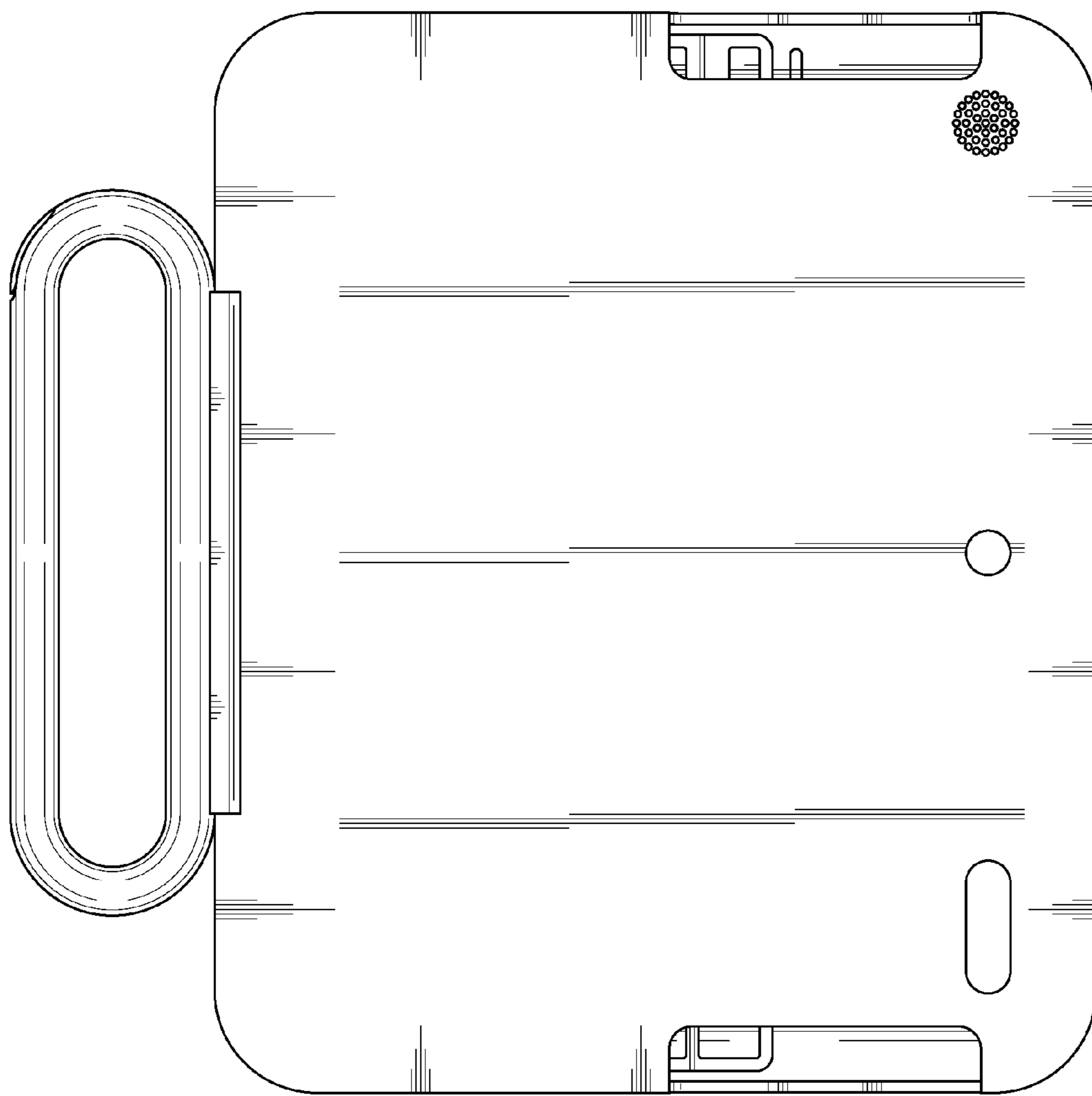


FIG.6

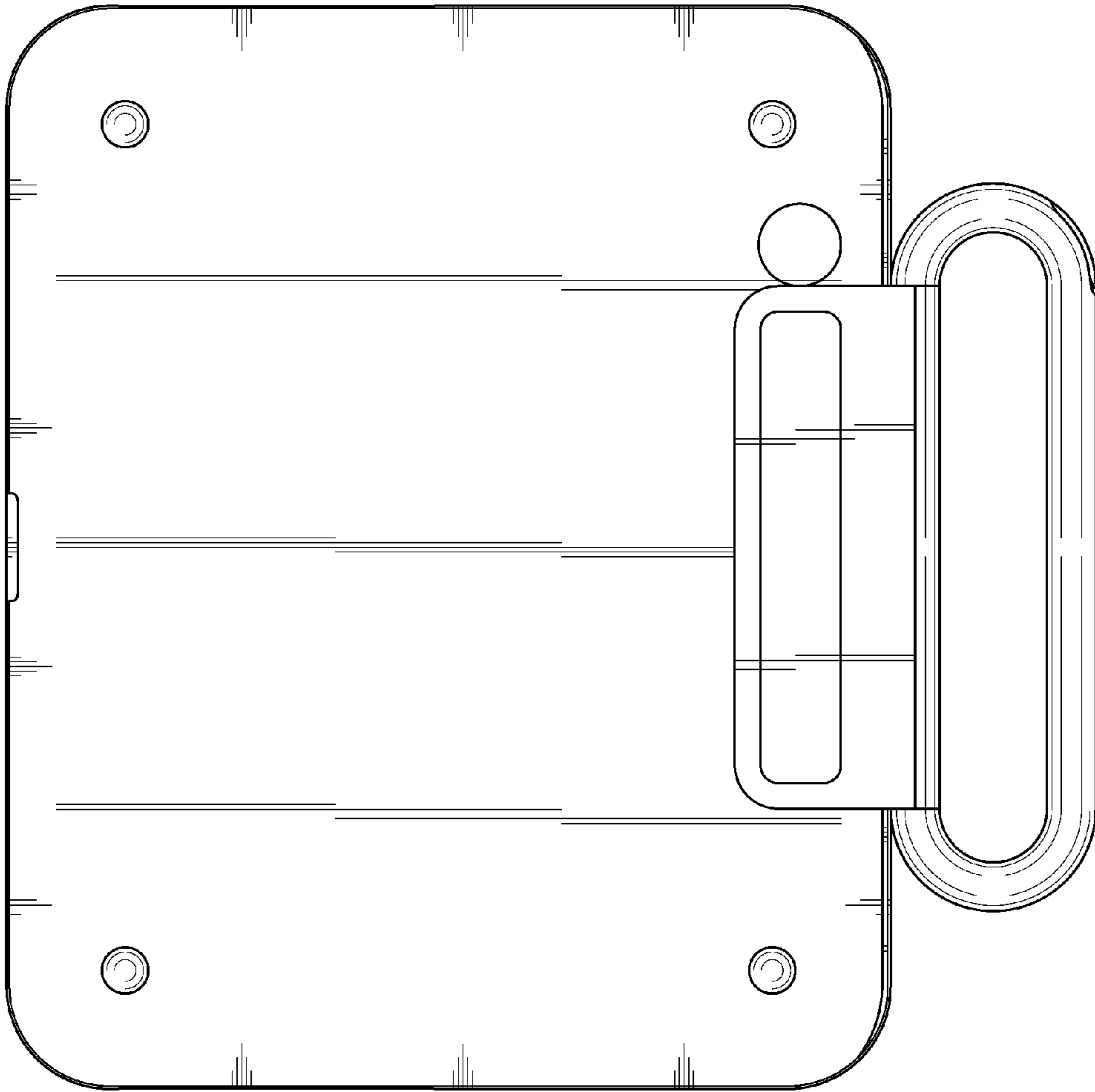


FIG.7

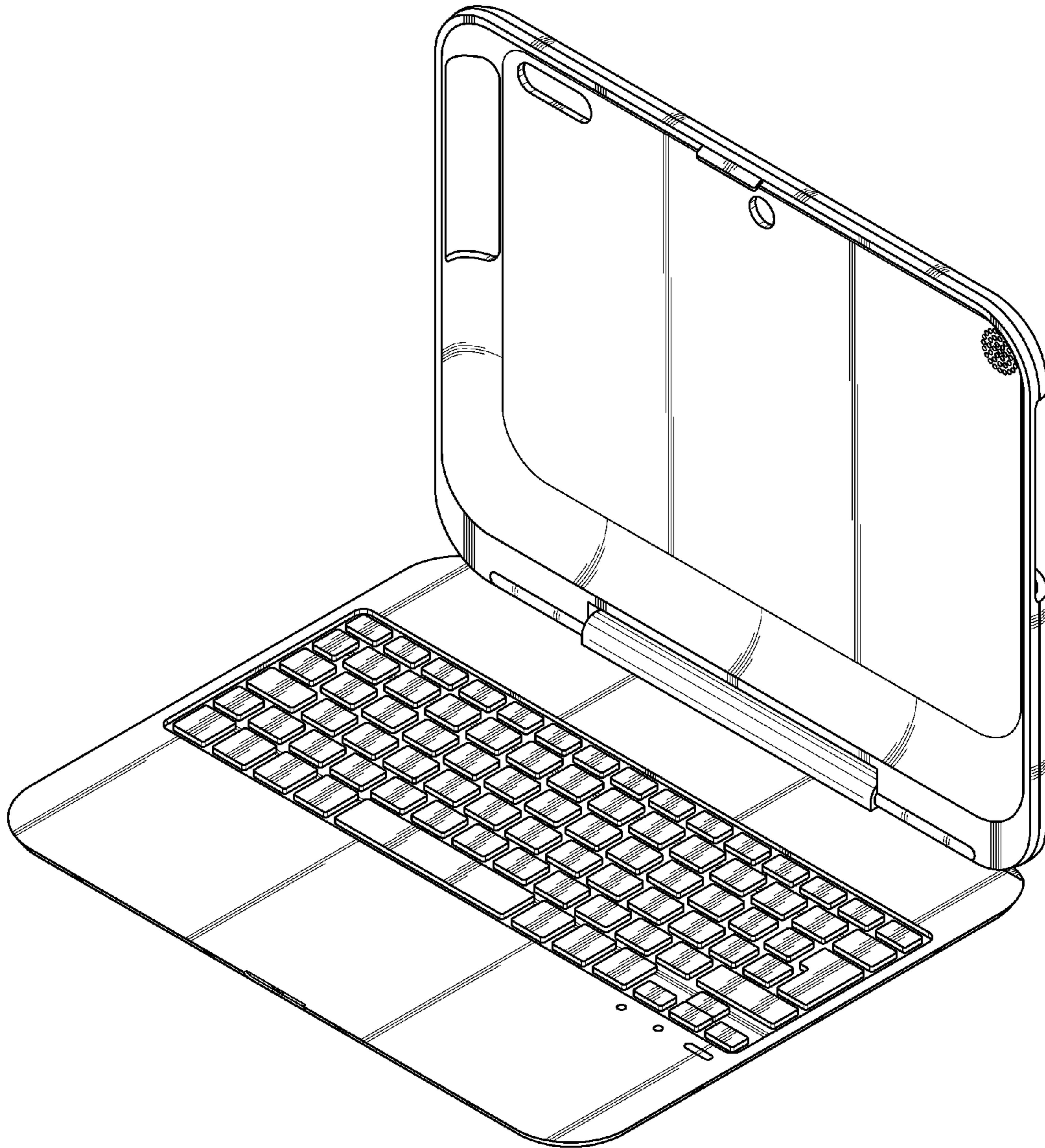


FIG.8

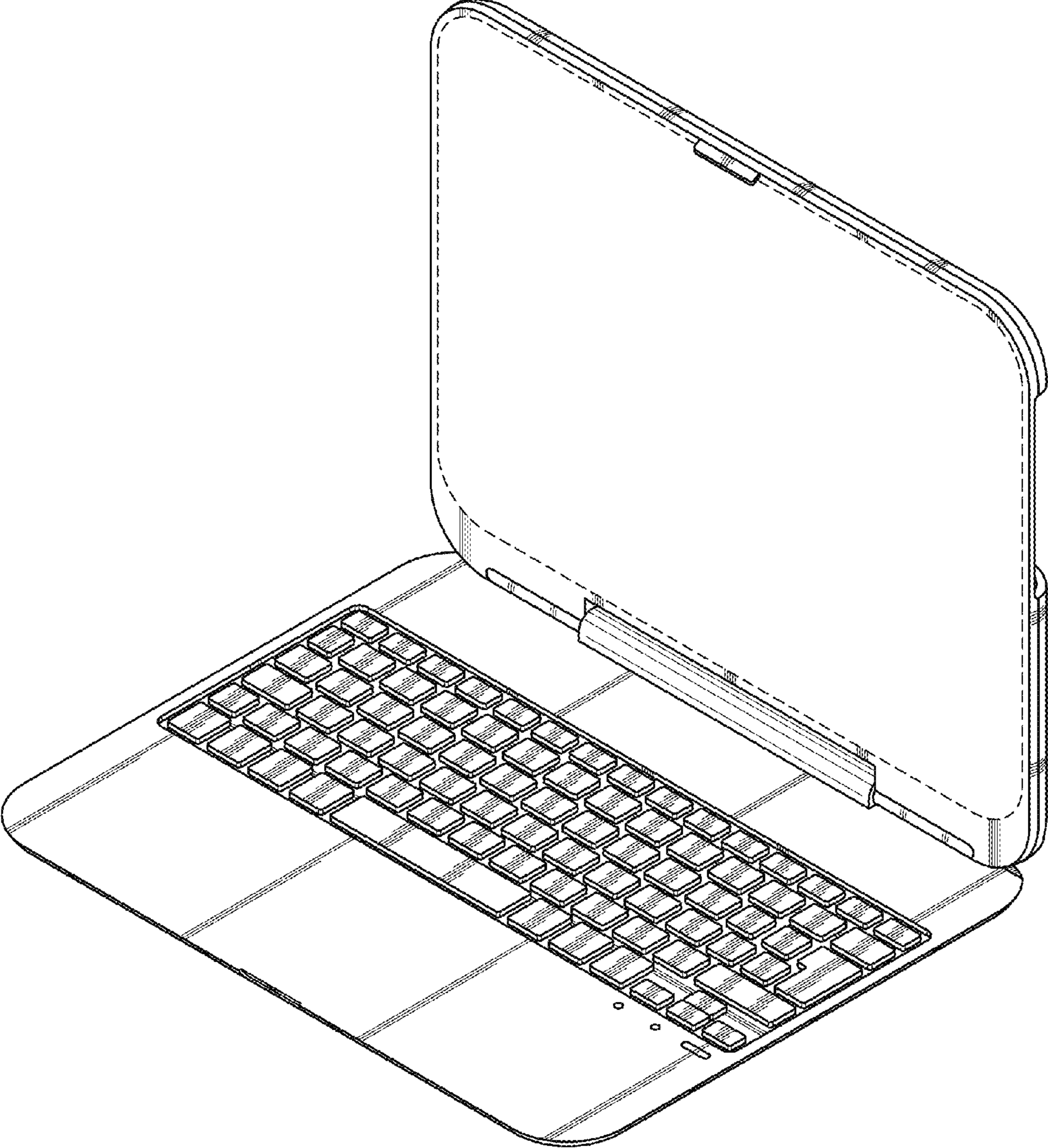


FIG.9