



US00D703671S

(12) **United States Design Patent**
Hackett et al.

(10) **Patent No.:** **US D703,671 S**

(45) **Date of Patent:** **** Apr. 29, 2014**

(54) **ACCESSORY SLEEVE**

(75) Inventors: **Edward Anthony Hackett**, Surbiton (GB); **Benjamin James Cullen**, Beecroft (AU)

(73) Assignee: **Psion, Inc.**, Mississauga, Ontario (CA)

(**) Term: **14 Years**

(21) Appl. No.: **29/419,587**

(22) Filed: **Apr. 30, 2012**

(51) **LOC (10) Cl.** **14-02**

(52) **U.S. Cl.**
USPC **D14/433**

(58) **Field of Classification Search**
USPC D14/434, 447, 453, 432, 433, 385, 357, D14/149, 457, 253, 251, 356, 242, 439, D14/344; D13/108, 118, 199, 107, 177; D3/218, 228, 269; D18/12; D8/349, D8/382; 361/683, 686, 679, 600; 455/557, 455/556.1, 556.2, 575.4, 569.2, 569.1; 248/346.03, 176.1, 181.1, 309.1, 248/221.11; 200/6 R

See application file for complete search history.

(56) **References Cited**

U.S. PATENT DOCUMENTS

D317,006 S	5/1991	Naderi et al.	
D317,913 S *	7/1991	Inoue	D14/433
D340,048 S *	10/1993	Tseng	D14/433
D419,160 S	1/2000	Davidson et al.	
D426,549 S *	6/2000	Carlson	D14/433
D449,304 S *	10/2001	Herath	D14/433
D449,616 S *	10/2001	Herath	D14/433
D455,431 S *	4/2002	Freitag et al.	D14/433
D457,162 S	5/2002	Hawkins et al.	
D472,900 S	4/2003	Matsumoto	

D474,154 S *	5/2003	Lai	D13/147
D482,364 S *	11/2003	Nishio et al.	D14/433
D483,372 S *	12/2003	Watanabe et al.	D14/433
D500,041 S	12/2004	Tsujimoto	
D507,273 S *	7/2005	Ibuki	D14/433
D514,576 S	2/2006	Sung et al.	
D520,013 S	5/2006	Yang	
D524,315 S	7/2006	Reusing et al.	
D540,327 S *	4/2007	Wong et al.	D14/434

(Continued)

OTHER PUBLICATIONS

Office Action for related Canadian Patent Application No. 145516 mailed on Sep. 18, 2012.

(Continued)

Primary Examiner — Austin Murphy

(74) *Attorney, Agent, or Firm* — Barbara R. Doutre

(57) **CLAIM**

The ornamental design for an accessory sleeve, as shown and described.

DESCRIPTION

FIG. 1 is a front, top perspective view of an accessory sleeve in accordance with an embodiment of the design.

FIG. 2 is a rear, bottom perspective view of the accessory sleeve of FIG. 1.

FIG. 3 is a right side view of the accessory sleeve of FIG. 1.

FIG. 4 is a rear view of the accessory sleeve of FIG. 1.

FIG. 5 is a left side view of the accessory sleeve of FIG. 1.

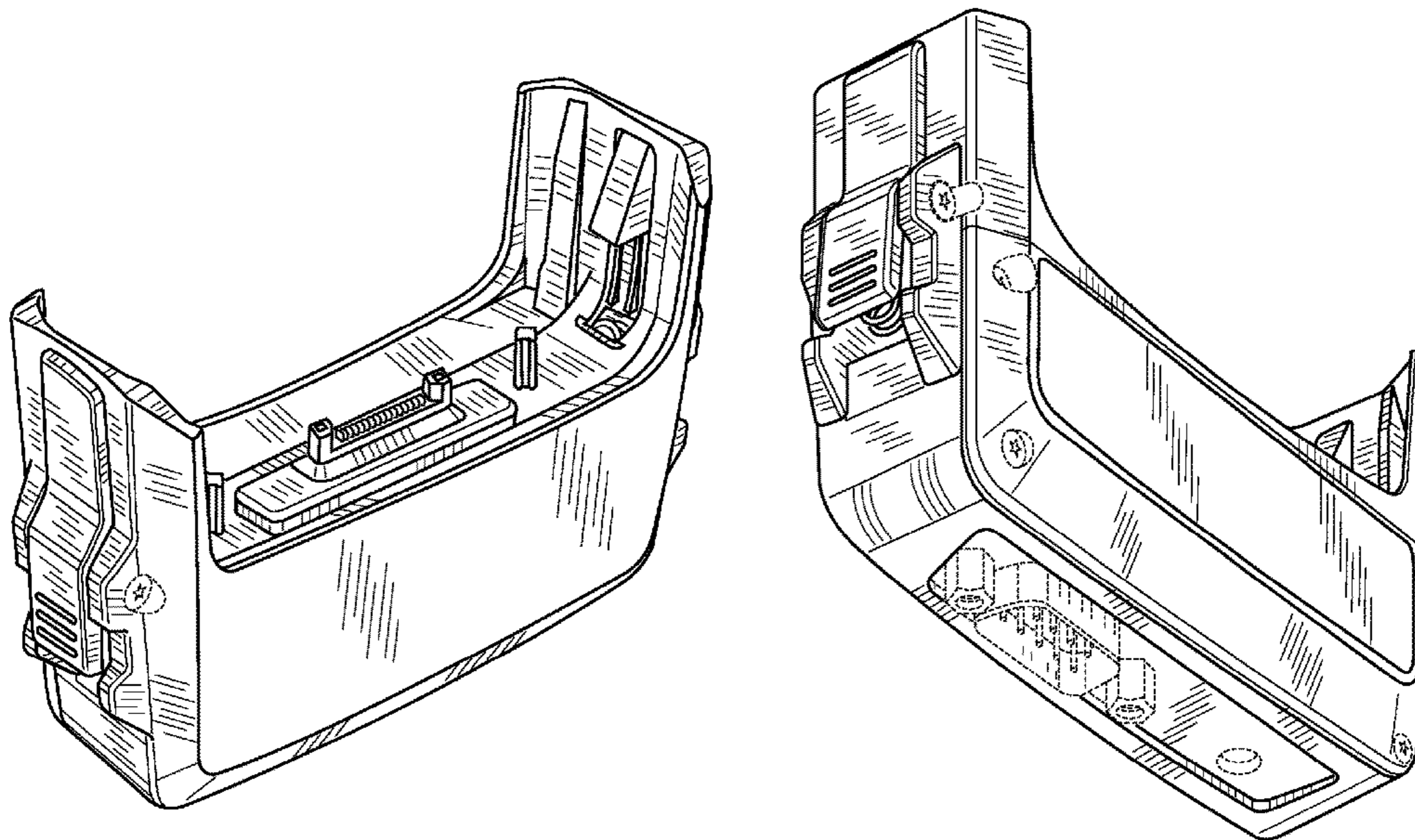
FIG. 6 is a front view of the accessory sleeve of FIG. 1.

FIG. 7 is a bottom view of the accessory sleeve of FIG. 1; and,

FIG. 8 is a top view of the accessory sleeve of FIG. 1.

The broken lines are included for illustrative purposes only and form no part of the claimed design.

1 Claim, 4 Drawing Sheets



(56)

References Cited

U.S. PATENT DOCUMENTS

D544,486 S	6/2007	Hussaini et al.	
D544,487 S *	6/2007	Hussaini et al.	D14/434
D554,642 S	11/2007	Suwalski et al.	
D558,769 S	1/2008	Krieger et al.	
D559,255 S *	1/2008	Nishio et al.	D14/433
D584,732 S *	1/2009	Cho et al.	D14/434
D587,695 S *	3/2009	Leng et al.	D14/240
D592,666 S *	5/2009	Inada et al.	D14/433
D605,112 S	12/2009	Chang	
D607,856 S	1/2010	Ishii	
D612,856 S *	3/2010	Wahl et al.	D14/433
D619,584 S *	7/2010	Raz	D14/433
D621,405 S	8/2010	Waite et al.	
D623,131 S	9/2010	Kawakami et al.	
D629,354 S	12/2010	Chang	
D634,269 S	3/2011	Griffin, Jr.	
D658,192 S *	4/2012	Cullen et al.	D14/453
8,241,050 B2 *	8/2012	Xu et al.	439/247
D670,290 S *	11/2012	Dalton	D14/433
D678,286 S *	3/2013	Cheng	D14/433

OTHER PUBLICATIONS

Office Action for counterpart Canadian Patent Application No. 145515 mailed on Sep. 18, 2012.

Office Action for related Canadian Patent Application No. 140097 mailed on Oct. 12, 2011 (25000.43).

Office Action for related Canadian Patent Application No. 140097 mailed on May 19, 2011 (25000.43).

Office Action for related Canadian Patent Application No. 140097 mailed on Mar. 19, 2012 (25000.43).

Notice of Allowance mailed on Dec. 27, 2011 in related U.S. Appl. No. 29/389,323, Benjamin James Cullen, filed Apr. 8, 2011 (25000.43).

Supplemental Notice of Allowability mailed on Mar. 8, 2012 in related U.S. Appl. No. 29/389,323, Benjamin James Cullen, filed Apr. 8, 2011 (25000.43).

Supplemental Notice of Allowability mailed on Mar. 14, 2012 in related U.S. Appl. No. 29/389,323, Benjamin James Cullen, filed Apr. 8, 2011 (25000.43).

* cited by examiner

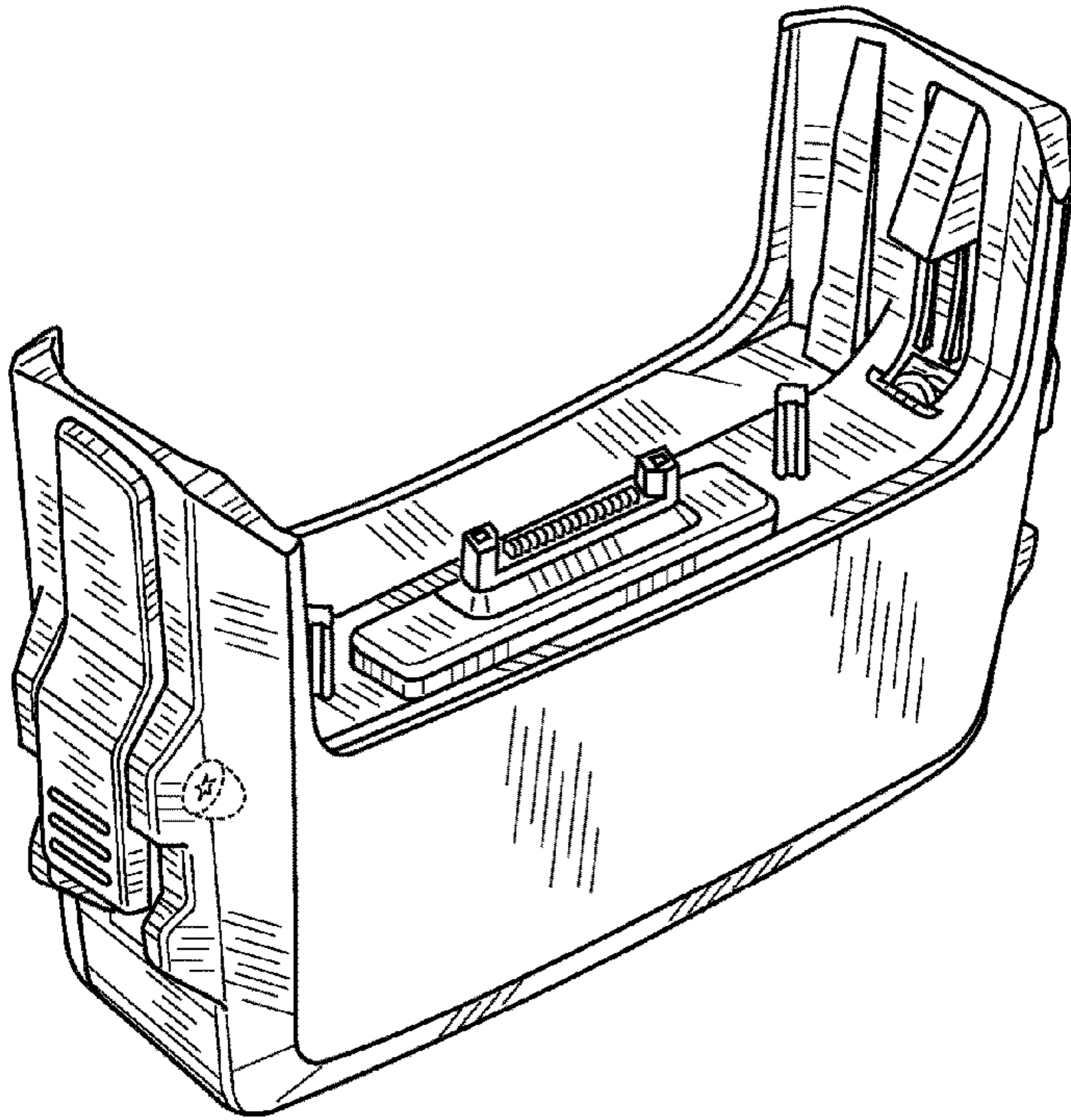


FIG. 1

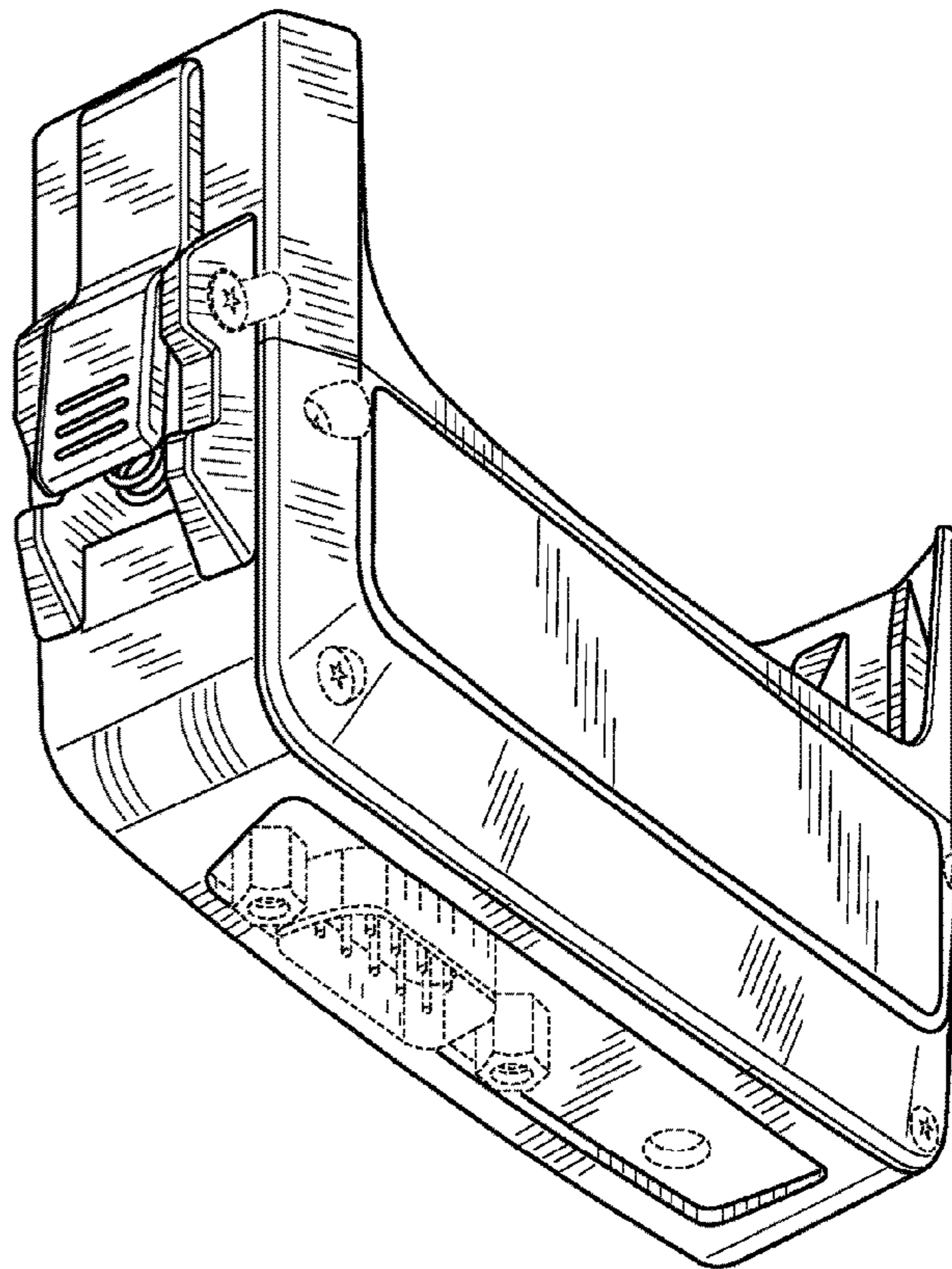


FIG. 2

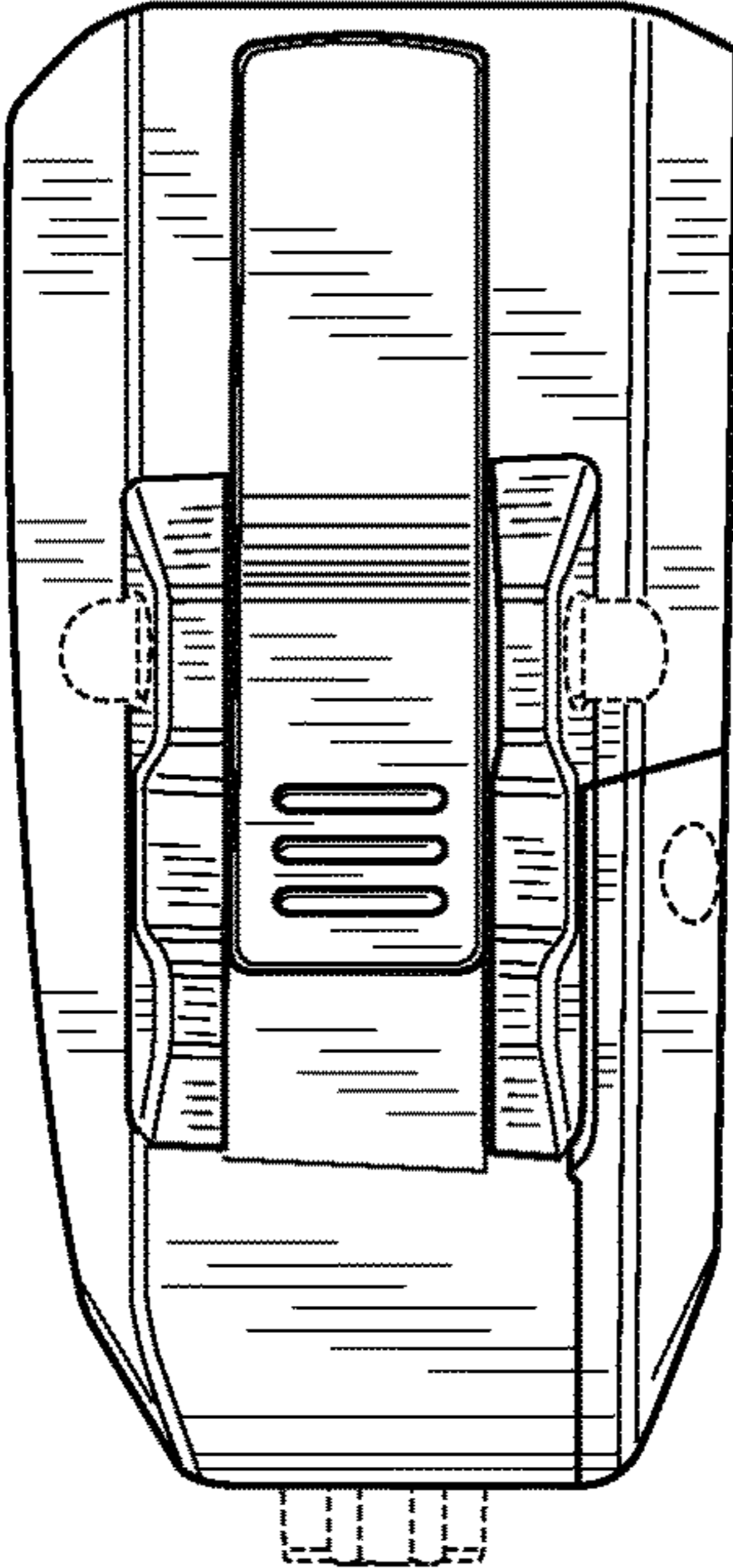


FIG. 3

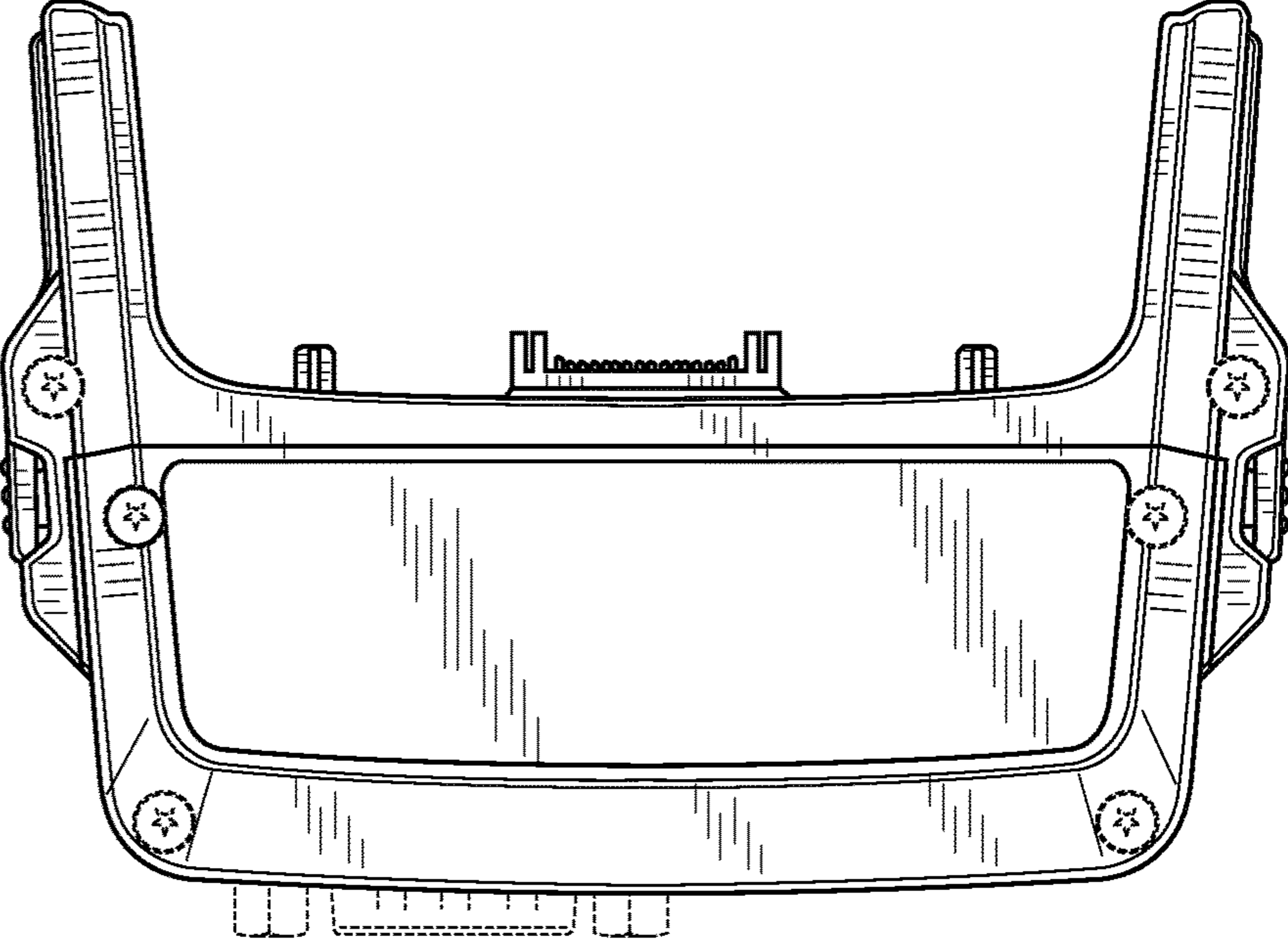


FIG. 4

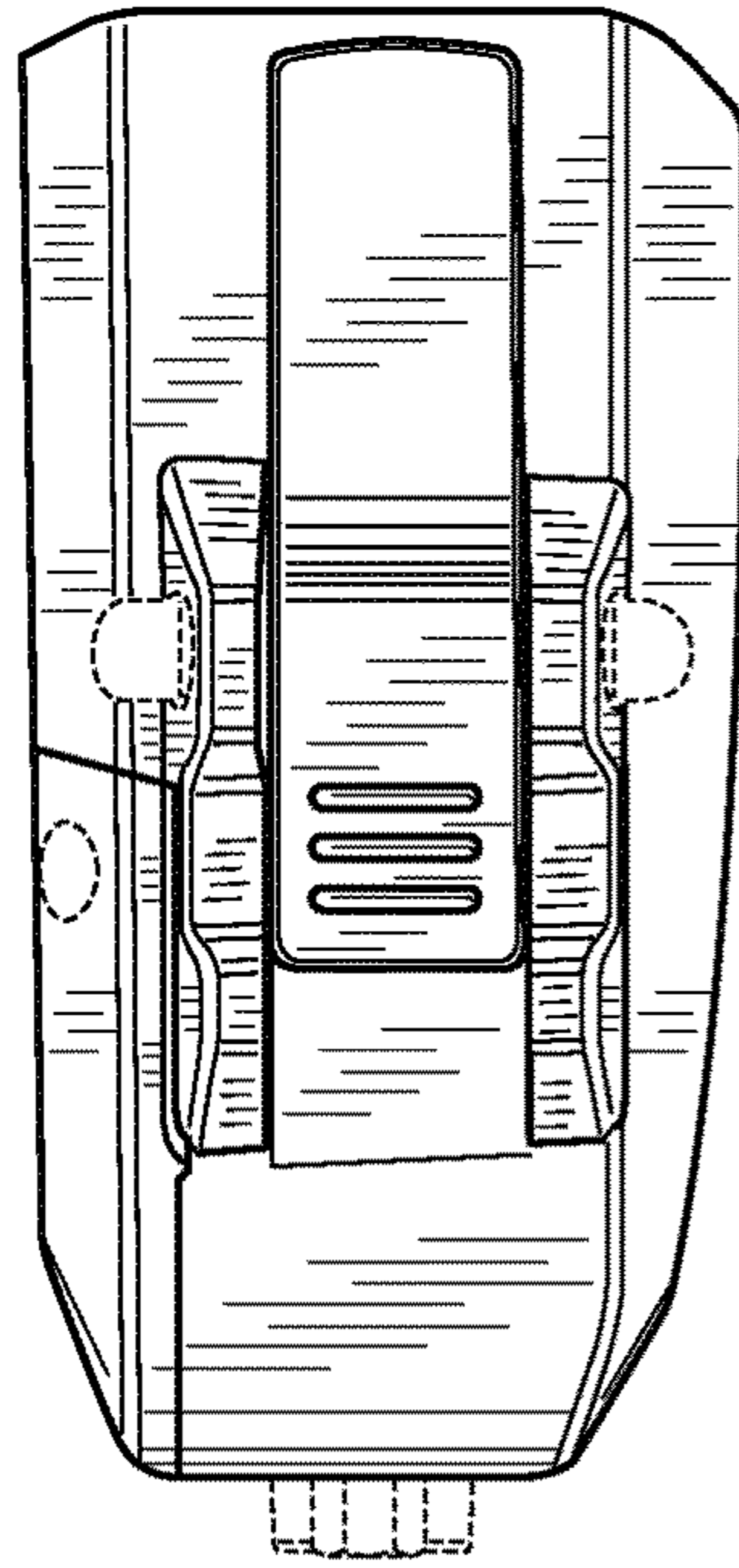


FIG. 5

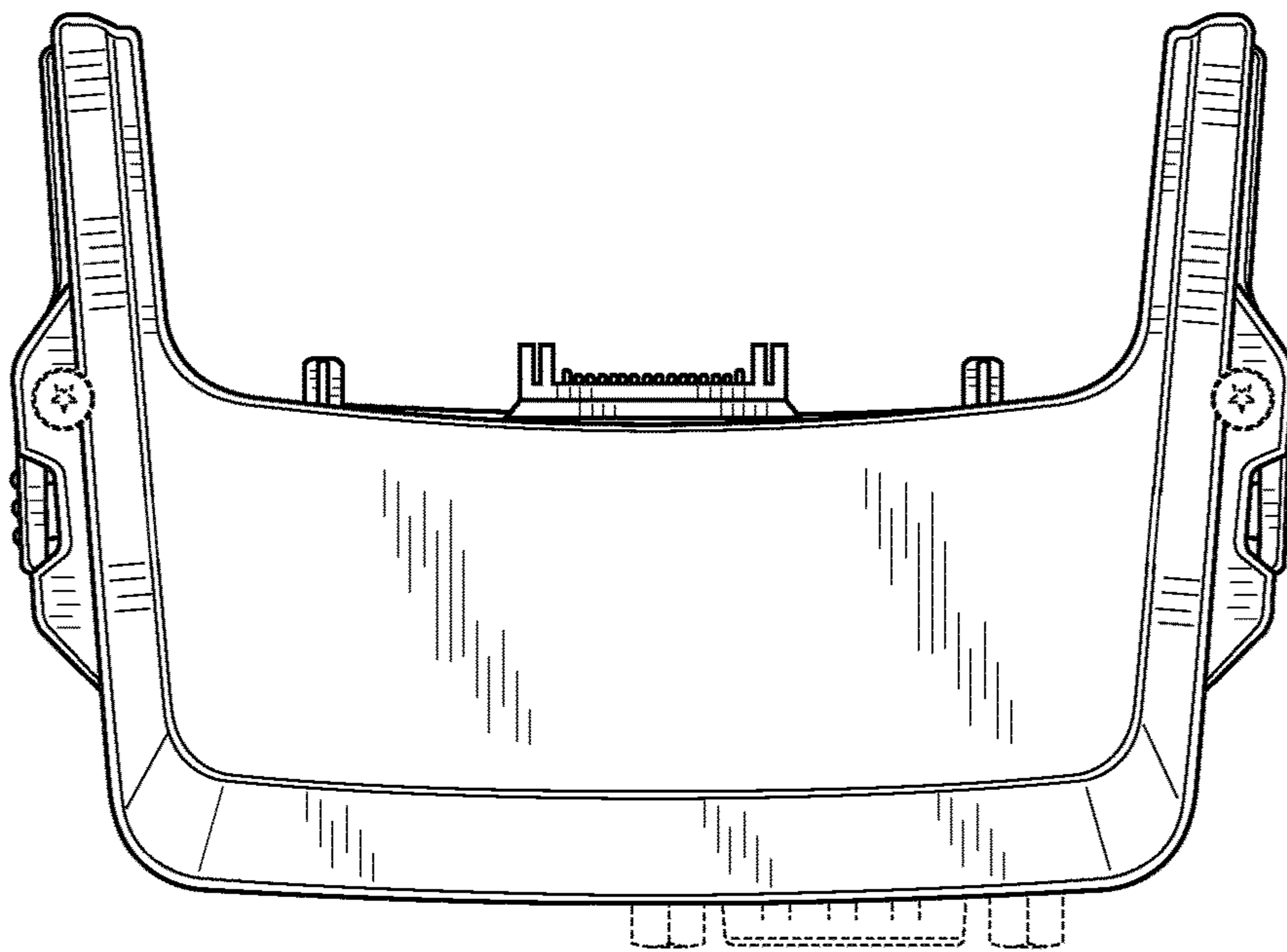


FIG. 6

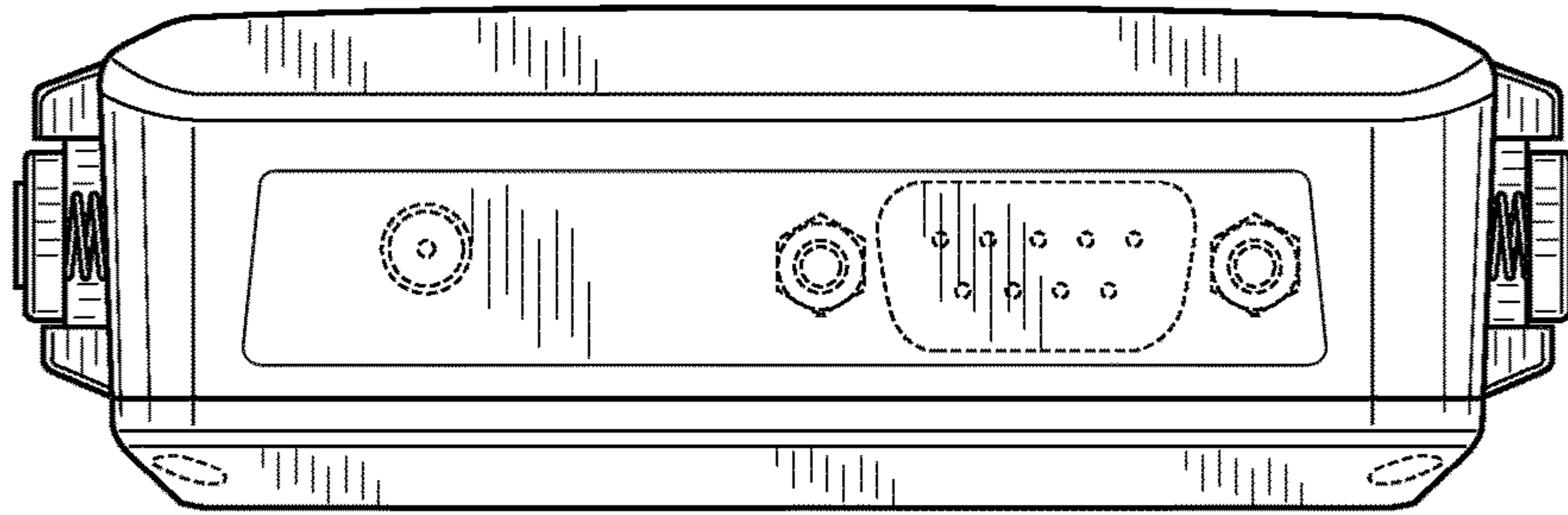


FIG. 7

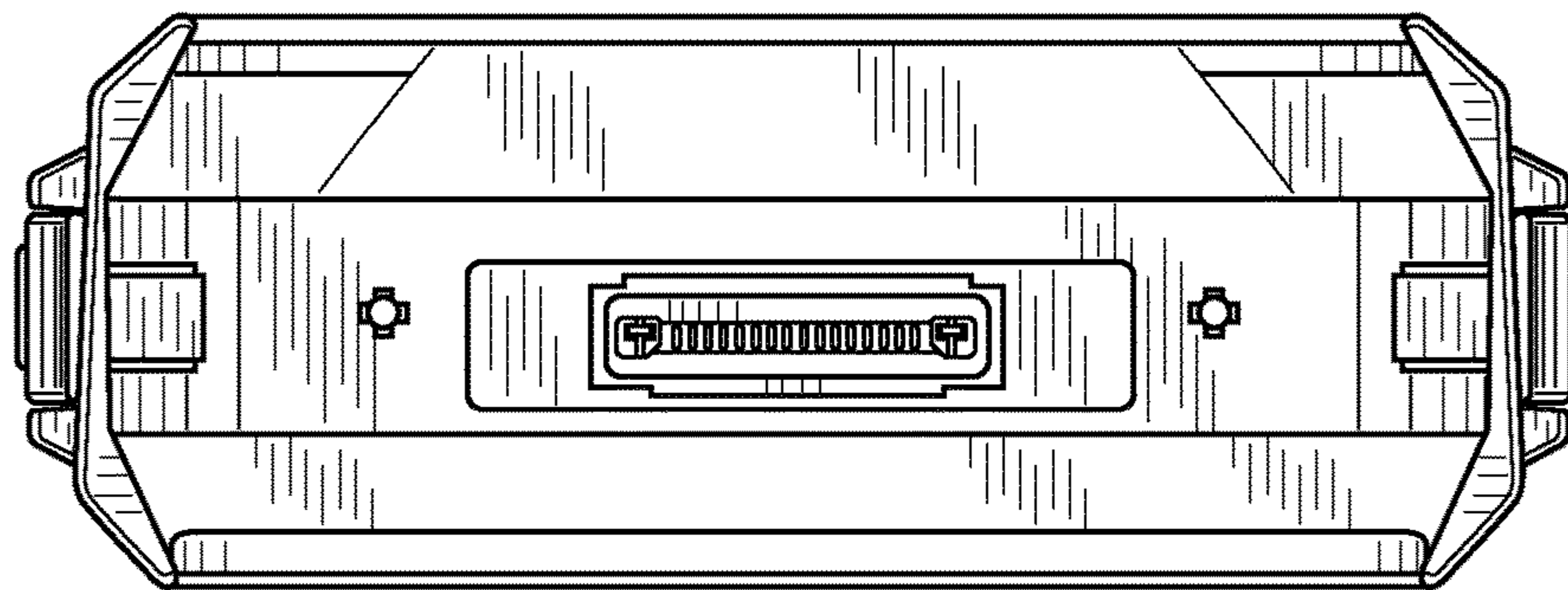


FIG. 8