



US00D703669S

(12) **United States Design Patent**
Niizawa

(10) **Patent No.:** **US D703,669 S**
(45) **Date of Patent:** **** Apr. 29, 2014**

- (54) **DATA STORAGE DEVICE WITH SURFACE ORNAMENTATION**
- (75) Inventor: **Derek T. Niizawa**, Sunnyvale, CA (US)
- (73) Assignee: **SanDisk Technologies Inc.**, Plano, TX (US)
- (**) Term: **14 Years**
- (21) Appl. No.: **29/429,879**
- (22) Filed: **Aug. 17, 2012**
- (51) **LOC (10) Cl.** **14-02**
- (52) **U.S. Cl.**
USPC **D14/365**; D14/353
- (58) **Field of Classification Search**
USPC D14/300–302, 314, 348–370, 383–385,
D14/435, 496, 125, 135, 155, 240–242,
D14/299; D3/273; D9/432; D10/65, 75, 78;
D13/103, 119, 162, 184, 199;
361/679.31–679.45; 312/223.2
See application file for complete search history.

- D548,731 S 8/2007 Liu et al.
- D558,790 S 1/2008 Yu et al.
- D583,666 S 12/2008 Coin
- D590,827 S 4/2009 Song
- D594,874 S 6/2009 Sheba et al.
- D594,875 S 6/2009 Sheba et al.
- D597,850 S 8/2009 Quick et al.
- D613,799 S 4/2010 Clemons et al.

(Continued)

OTHER PUBLICATIONS

Hitachi aims to cut enterprise storage costs with Unified Storage—IT News from V3.co.uk, [online] Apr. 25, 2012 [retrieved on Jun. 26, 2013]. Retrieved from the Internet <URL: <http://www.v3.co.uk/v3-uk/news/2170357/hitachi-aims-cut-enterprise-storage-costs-unified-storage>>.*

(Continued)

Primary Examiner — Karen E Kearney
(74) *Attorney, Agent, or Firm* — Brinks Gilson & Lione

(57) **CLAIM**
The ornamental design for a data storage device with surface ornamentation, substantially as shown and described.

(56) **References Cited**

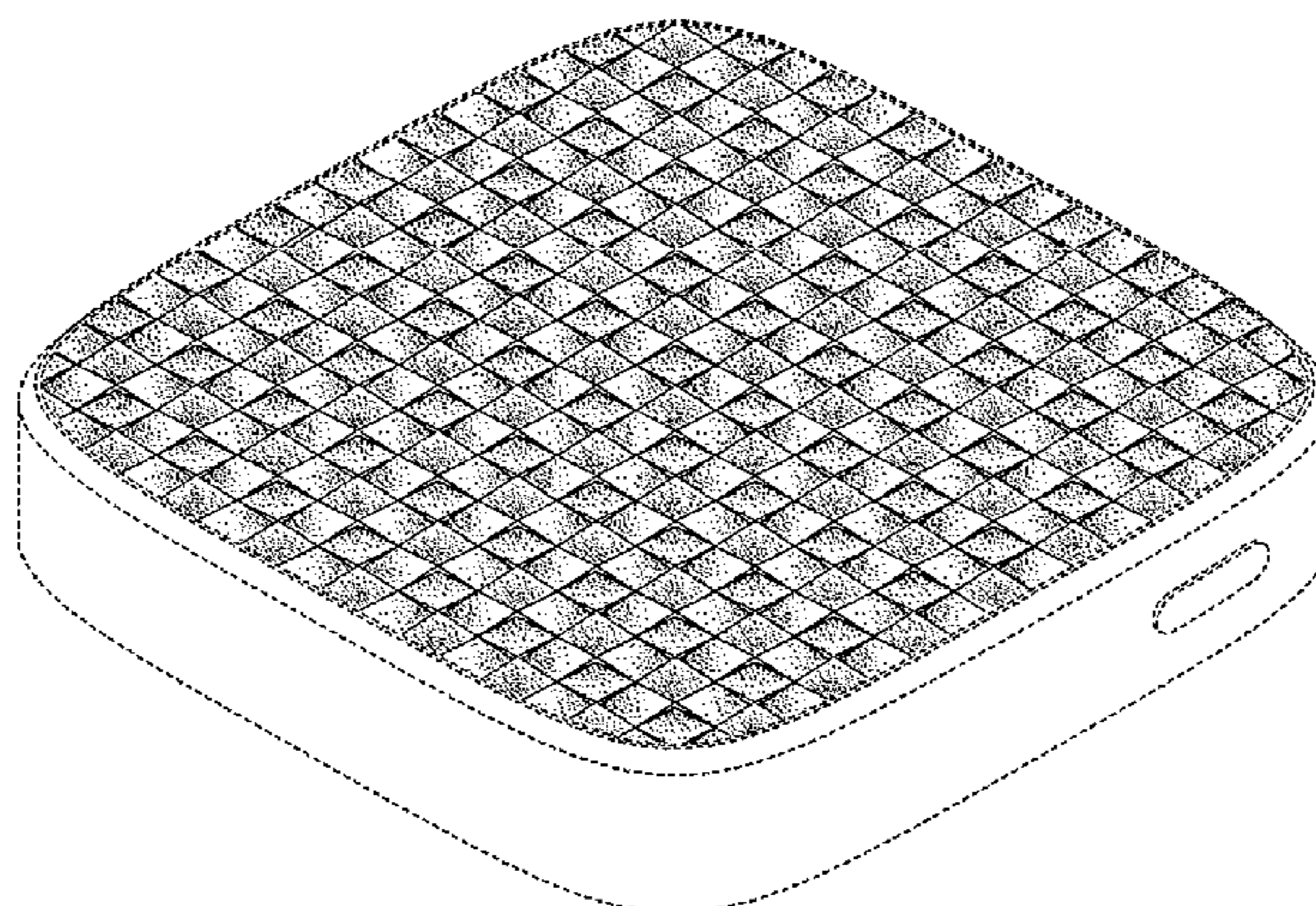
U.S. PATENT DOCUMENTS

- D21,168 S * 11/1891 Tenney D9/432
- D77,013 S * 11/1928 Leddell D9/432
- D217,853 S * 6/1970 Wernick et al. D3/302
- D318,656 S * 7/1991 Bowker et al. D14/356
- D321,178 S * 10/1991 Bowker et al. D14/356
- D350,136 S * 8/1994 Kim D14/211
- D375,943 S * 11/1996 Muenkel D14/350
- D389,464 S * 1/1998 Utsuki et al. D14/308
- D420,286 S * 2/2000 Simburger et al. D9/431
- D420,910 S 2/2000 Brown et al.
- D462,953 S * 9/2002 Jang D14/299
- D491,563 S 6/2004 Sato et al.
- D496,405 S 9/2004 Stewart et al.
- D503,197 S 3/2005 Stewart et al.
- D507,778 S * 7/2005 Fukunaga et al. D13/121
- D541,274 S 4/2007 Wang

DESCRIPTION

FIG. 1 is a perspective view of a data storage device with surface ornamentation according to a first embodiment of my design;
FIG. 2 is a front view thereof;
FIG. 3 is a perspective view of a data storage device with surface ornamentation according to a second embodiment of my design; and,
FIG. 4 is a front view thereof.
The broken lines that form a perimeter around the claimed design define the bounds of the claimed design and form no part thereof. The other broken lines show environment and are for illustrative purposes only and form no part of the claimed design.

1 Claim, 3 Drawing Sheets



(56)

References Cited

U.S. PATENT DOCUMENTS

D626,100 S	*	10/2010	Huang	D14/125
D641,327 S		7/2011	Falakfarsa et al.		
D641,362 S		7/2011	Dublin		
D641,363 S		7/2011	Dublin		
D643,427 S	*	8/2011	McGoldrick et al.	D14/356
D648,298 S		11/2011	Pierce et al.		
D648,689 S		11/2011	Mehlsen		
D650,383 S	*	12/2011	Utsuki et al.	D14/364
D650,394 S		12/2011	Seoc et al.		
D650,995 S		12/2011	Davis et al.		
D651,810 S		1/2012	Davis et al.		
D667,005 S		9/2012	Lutz		
D684,971 S	*	6/2013	Chang	D14/365

OTHER PUBLICATIONS

Hitachi HUS VM brings virtual storage benefits to smaller companies—IT News from V3.co.uk, [online] Sep. 25, 2012 [retrieved on Jun. 26, 2013]. Retrieved from the Internet <URL: <http://www.v3.co.uk/v3-uk/news/2207676/hitachi-hus-vm-brings-virtual-storage-benefits-to-smaller-companies>>.*

Samsung HX-M320TAB/G smg m2 portable3 320gb usb3 brown black | External HDD | Peripherals | Computing | Katalogas | electronics—BalticMart, [online], [retrieved on Jul. 1, 2013]. Retrieved from the Internet <URL: <http://www.electronics.balticmart.eu/in->

dex.php?mact=Products%2Ccntnt01%2Cdetails%2C0&cntnt01productid=186430&hl=en_US>.*

U.S. Appl. No. 29/429,878 entitled, “Data Storage Device”, inventor: Derek T. Niizawa, filed Aug. 17, 2012, 9 pages.

Restriction Requirement for U.S. Appl. No. 29/429,878, dated Jul. 11, 2013, 8 pages.

DataStor Technology Co. Ltd @ Global Sources Online-Supplier Homepage, [online], [retrieved on Nov. 14, 2006]. Retrieved from the Internet <URL: http://datastor.manufacturer.globalsources.com/si/6008800307...Compact-Case-for/product_id-1002430427/action-GetProduct.htm>.

External Hard Drives—TOYS and GADGETs | News | Reviews | Videos, [online] Sep. 27, 2008 [retrieved on Nov. 25, 2008]. Retrieved from the Internet <URL: <http://www.toysgadget.com/gadgets-and-toys/external-hard-drives>>.

Toshiba Keeps Backup Simple with Canvio Basics Portable Hard Drive—HotHardware, Web Archive [online] Oct. 9, 2010 [retrieved on Feb. 20, 2013]. Retrieved from the Internet <URL: <http://web.archive.org/web/20101009043847/http://hothardware.com/News/Toshiba-Keeps-Backup-Simple-with-Canvio-Basics-Portable-Hard-Drive/>>.

Office Action for U.S. Appl. No. 29/429,878 dated Oct. 1, 2013, 8 pages.

Office Action for U.S. Appl. No. 29/429,878 dated Feb. 11, 2014, 8 pages.

* cited by examiner

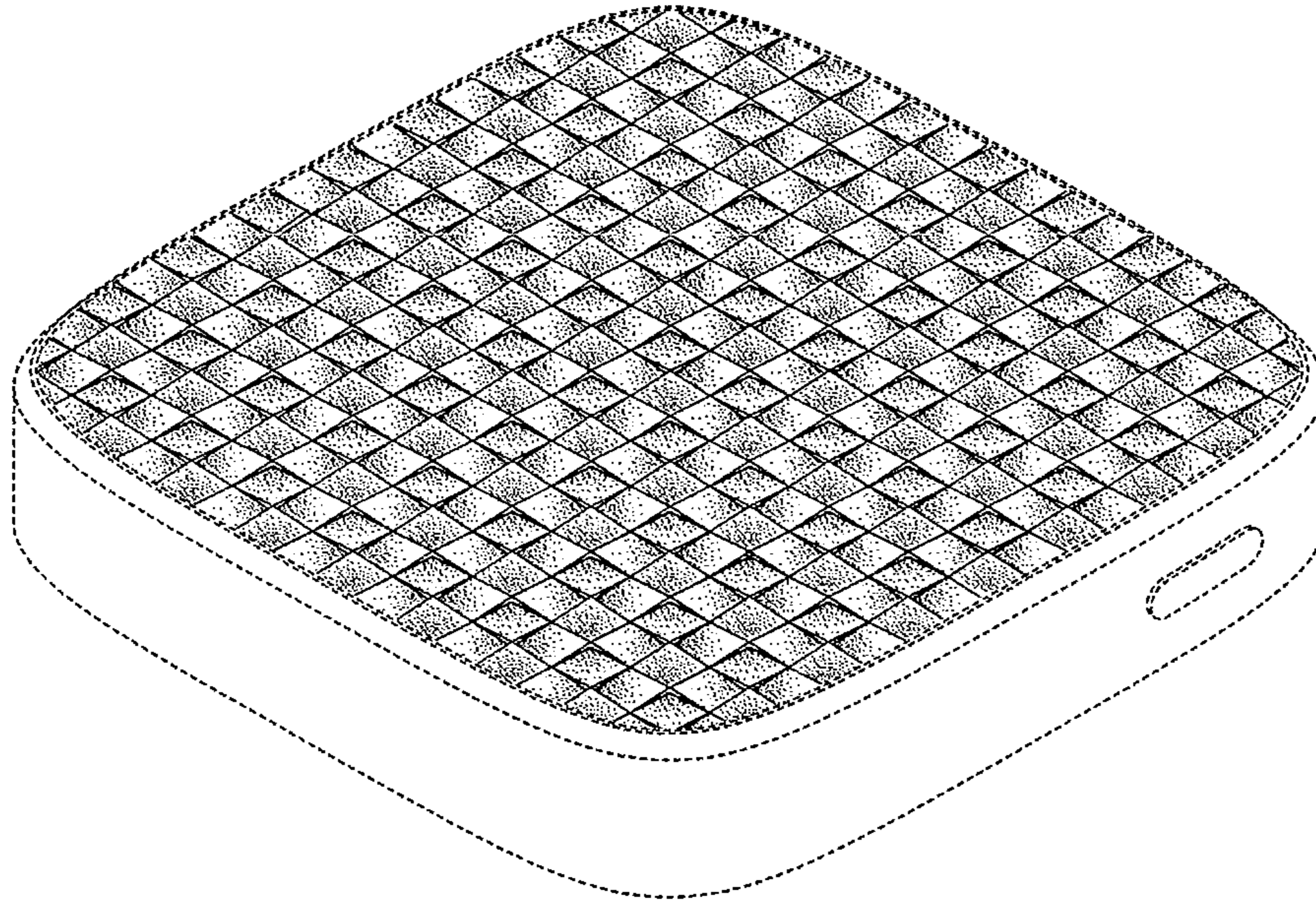


FIG. 1

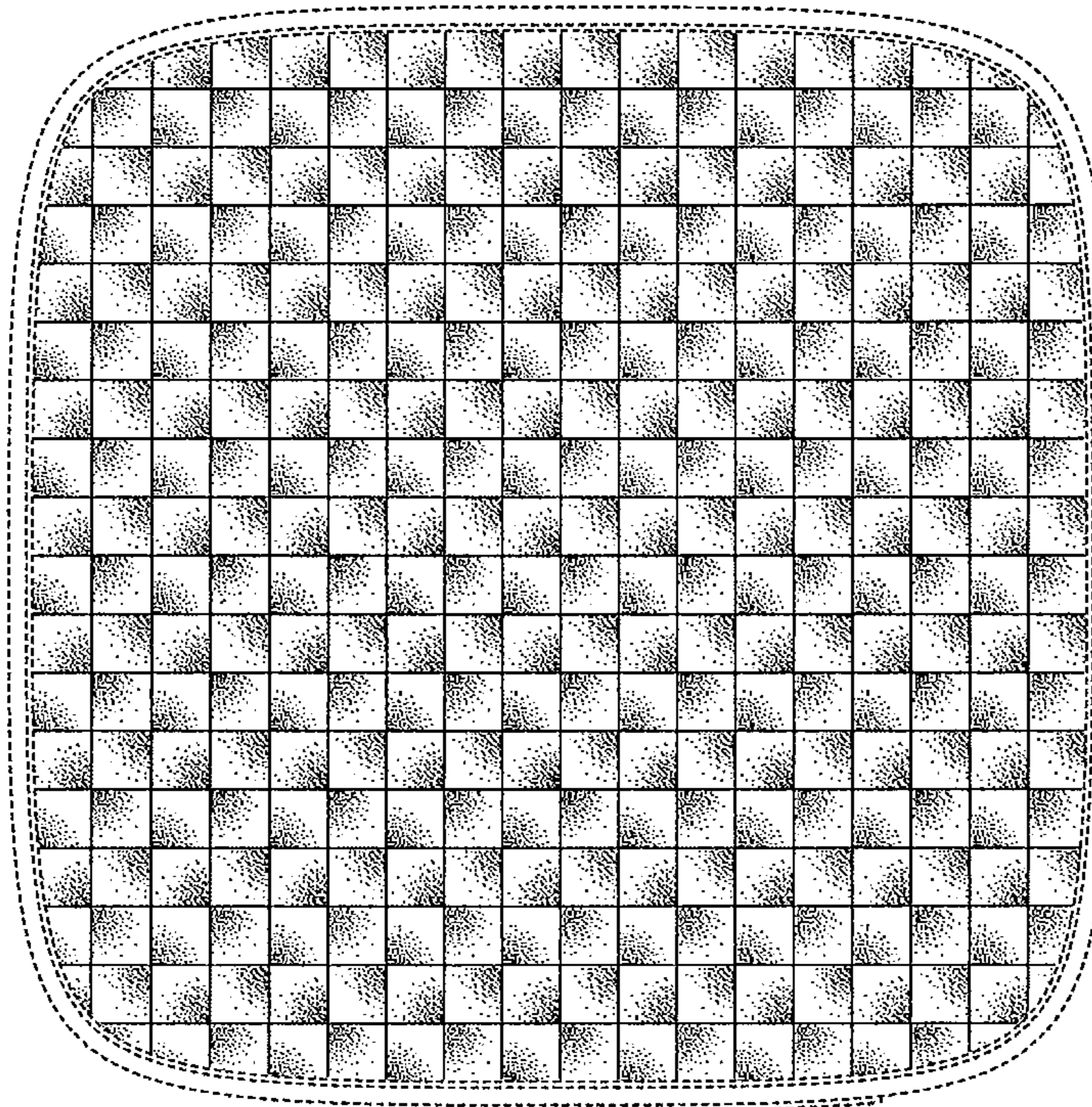


FIG. 2

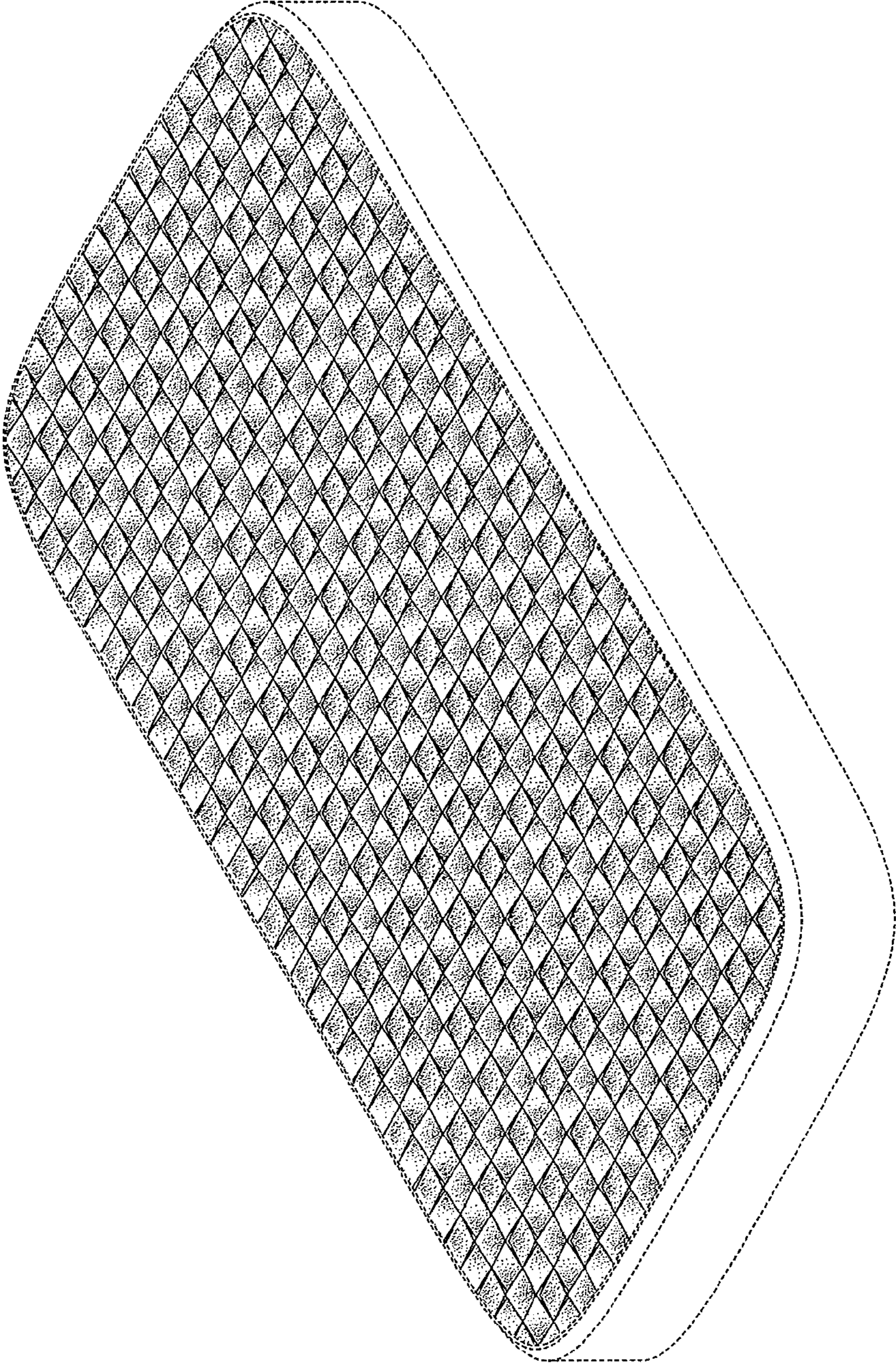


FIG. 3

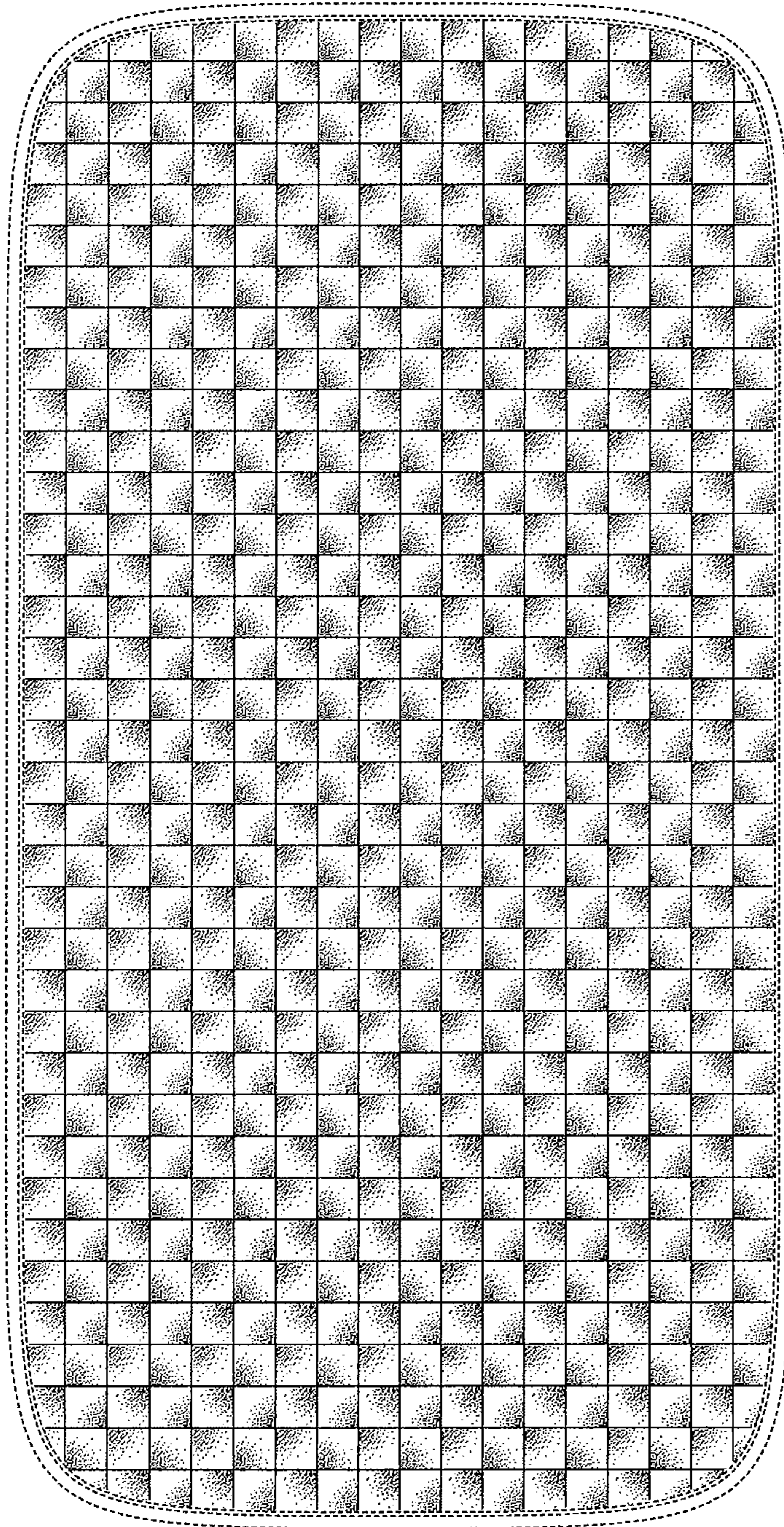


FIG. 4