



US00D703667S

(12) **United States Design Patent**
Song et al.

(10) **Patent No.:** **US D703,667 S**
(45) **Date of Patent:** **** Apr. 29, 2014**

(54) **TABLET COMPUTER**

D337,569 S 7/1993 Kando
D500,991 S 1/2005 Niitsu
D504,889 S 5/2005 Andre et al.

(75) Inventors: **Byeong-Yong Song**, Goyang (KR);
Yeo-Wan Yun, Kyunggi-Do (KR);
Se-Hun Oh, Seoul (KR); **Kyu-Young Hong**, Kyunggi-Do (KR)

(Continued)

FOREIGN PATENT DOCUMENTS

(73) Assignee: **Samsung Electronics Co., Ltd.**,
Suwon-Si (KR)

KR 3005985190000 5/2011
KR 3005994750000 5/2011

(Continued)

(**) Term: **14 Years**

OTHER PUBLICATIONS

(21) Appl. No.: **29/418,670**

U.S. Appl. No. 29/390,462, Applicant Kim et al, filed Apr. 25, 2011,
entitled Tablet Computer.

(22) Filed: **Apr. 19, 2012**

(Continued)

(30) **Foreign Application Priority Data**

Primary Examiner — Barbara Fox

Oct. 19, 2011 (KR) 30-2011-0043537

(74) *Attorney, Agent, or Firm* — Wood, Herron & Evans,
LLP

(51) **LOC (10) Cl.** **14-02**

(57) **CLAIM**

(52) **U.S. Cl.**
USPC **D14/345**; D14/346

The ornamental design for a tablet computer, as shown and
described.

(58) **Field of Classification Search**

DESCRIPTION

USPC D14/341–347, 137, 138 AA, 138 R,
D14/138 C, 138 G, 496, 203.1, 203.3, 203.7,
D14/426, 129, 130, 420, 147, 218, 247–248,
D14/389, 388, 315–318; D10/65, 104.1;
D18/6–7; D21/324, 329, 330;
455/556.1, 556.2, 566, 575.1, 90.3;
379/433.04, 433.01, 433.06, 916;
345/173, 901, 905; 361/679.26,
361/679.27, 679.3, 679.55, 679.56,
361/680–686; 248/917–924; 348/373, 376

FIG. 1 is a top front perspective view of a tablet computer
showing our new design;
FIG. 2 is a front elevational view thereof;
FIG. 3 is a rear elevational view thereof;
FIG. 4 is a left side elevational view thereof;
FIG. 5 is a right side elevational view thereof;
FIG. 6 is a top plan view thereof;
FIG. 7 is a bottom plan view thereof;
FIG. 8 is a front view thereof when the keyboard is exposed
and the stand is extended; and,
FIG. 9 is a side view of the tablet computer of FIG. 1 rotated
180° with the stand extended.

See application file for complete search history.

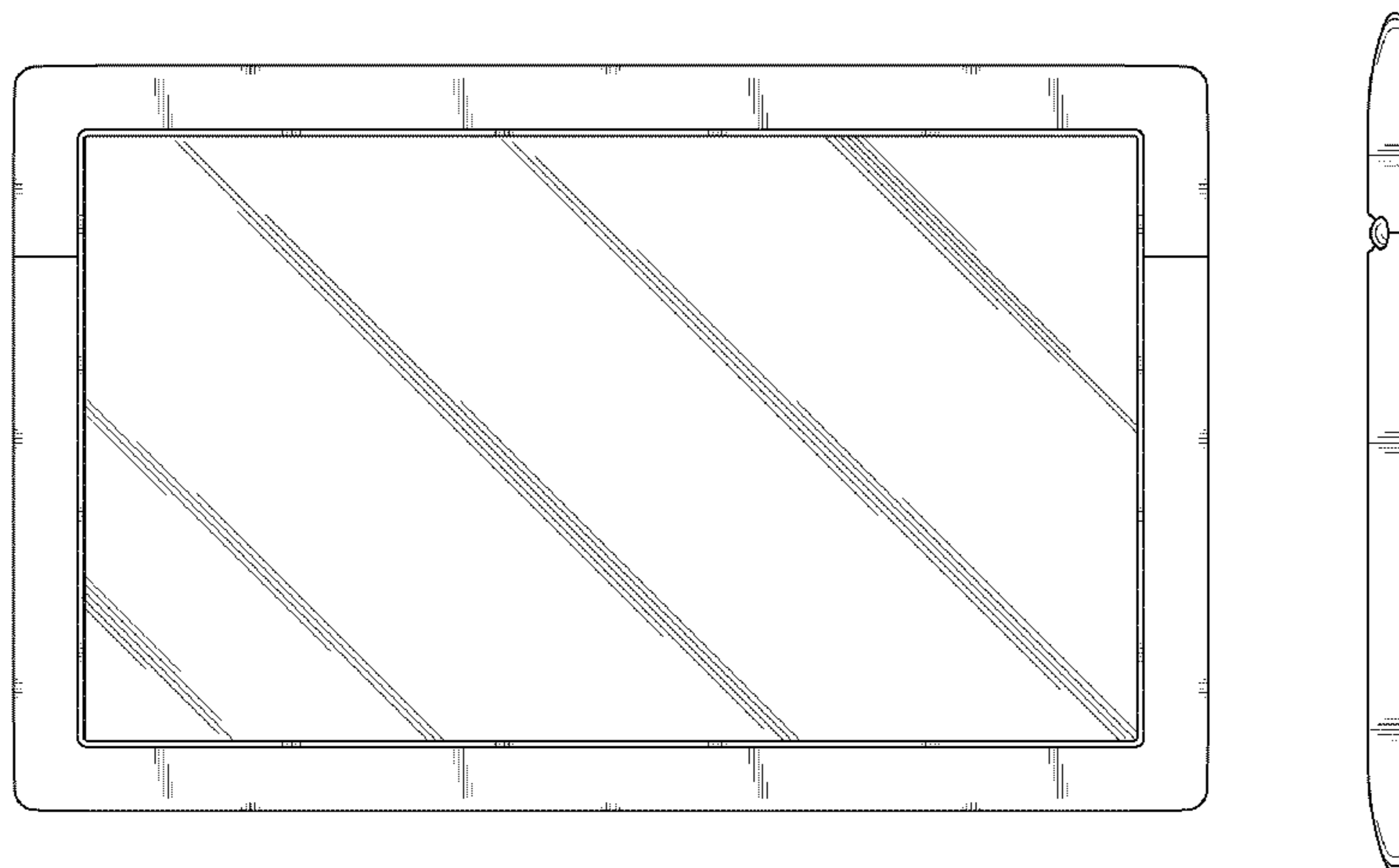
The broken lines showing the keyboard in FIG. 8 represents
portions of the tablet computer which forms no part of the
claim design.

(56) **References Cited**

1 Claim, 5 Drawing Sheets

U.S. PATENT DOCUMENTS

D284,084 S 6/1986 Ferrara, Jr.
D306,583 S 3/1990 Krolopp et al.
D333,574 S 3/1993 Ackeret



(56)

References Cited

OTHER PUBLICATIONS

U.S. PATENT DOCUMENTS

D519,500 S * 4/2006 Maskatia et al. D14/318
 D532,791 S 11/2006 Kim
 D563,804 S 3/2008 Kimura et al.
 D579,930 S 11/2008 Maskatia
 D584,304 S * 1/2009 Lin D14/346
 D584,738 S 1/2009 Kim et al.
 D590,374 S 4/2009 Madonna et al.
 D592,214 S 5/2009 Bradford
 D602,014 S 10/2009 Andre et al.
 D602,487 S 10/2009 Maskatia
 D605,626 S 12/2009 Park
 D610,582 S 2/2010 Sugitani et al.
 D611,364 S 3/2010 Lenz et al.
 D613,510 S 4/2010 Tzeng et al.
 D613,951 S 4/2010 Tang et al.
 D617,793 S 6/2010 Chiang et al.
 D622,270 S 8/2010 Andre et al.
 D627,667 S 11/2010 Lenz et al.
 D628,913 S 12/2010 Cheng
 D629,799 S 12/2010 Andre et al.
 D640,255 S 6/2011 Lee et al.
 D640,690 S * 6/2011 Hsieh et al. D14/346
 D649,543 S * 11/2011 Tseng et al. D14/315
 D650,380 S * 12/2011 Ballout D14/331
 D651,812 S * 1/2012 Lee et al. D6/300
 8,149,222 B2 4/2012 Hsieh et al.
 D659,134 S * 5/2012 Ahn et al. D14/318
 D665,370 S * 8/2012 Chung D14/138 AD
 D665,388 S * 8/2012 Li et al. D14/327
 D682,263 S * 5/2013 Kim et al. D14/341
 D691,575 S * 10/2013 Park D14/138 AD
 2005/0052831 A1 * 3/2005 Chen 361/680
 2009/0201254 A1 * 8/2009 Rais 345/168

FOREIGN PATENT DOCUMENTS

KR 3006004150000 6/2011
 KR 3006004300000 6/2011
 KR 3006046440000 7/2011

U.S. Appl. No. 29/390,463, Applicant: Kim, et al., filed Apr. 25, 2011
 entitled Tablet Computer.
 U.S. Appl. No. 29/390,464, Applicant: Kim, et al., filed Apr. 25, 2011
 entitled Tablet Computer.
 U.S. Appl. No. 29/405,537, Applicant Kim et al., filed Nov. 3, 2011,
 entitled Tablet Computer.
 U.S. Appl. No. 29/407,975, Applicant Lee et al, filed Dec. 6, 2011,
 entitled Tablet Computer.
 U.S. Appl. No. 29/407,981, Applicant Chun et al, filed Dec. 6, 2011,
 entitled Cradle for Tablet Computer.
 U.S. Appl. No. 29/407,982, Applicant Lee et al, filed Dec. 6, 2011,
 entitled Tablet Computer.
 U.S. Appl. No. 29/407,984, Applicant Jeon et al., filed Dec. 6, 2011,
 entitled Tablet Computer.
 U.S. Appl. No. 29/407,989, Applicant Lee et al, filed Dec. 6, 2011,
 entitled Cradle for Tablet Computer.
 U.S. Appl. No. 29/407,996, Applicant Lee et al, filed Dec. 6, 2011,
 entitled Tablet Computer.
 U.S. Appl. No. 29/408,009, Applicant Song et al, filed Dec. 6, 2011,
 entitled Tablet Computer.
 U.S. Appl. No. 29/408,017, Applicant Song et al, filed Dec. 6, 2011,
 entitled Tablet Computer.
 U.S. Appl. No. 29/407,984, Applicant Kim et al., filed Dec. 6, 2011,
 entitled Tablet Computer.
 U.S. Appl. No. 29/416,032, Applicant Kim et al., filed Mar. 16, 2012,
 entitled Tablet Computer.
 U.S. Appl. No. 29/418,670, Applicant Song et al., filed Apr. 19, 2012,
 entitled Tablet Computer.
 U.S. Appl. No. 29/419,911, Applicant Kim et al., filed May 2, 2012,
 entitled Tablet Computer.
 U.S. Appl. No. 29/405,537, Applicant Ik-Sang Kim, filed Nov. 3,
 2011, entitled Tablet Computer.
 U.S. Appl. No. 29/407,975, Applicant Chun et al, filed Dec. 6, 2011,
 entitled Tablet Computer.
 U.S. Appl. No. 29/416,029, Applicant Kim et al., filed Mar. 16, 2012,
 entitled Tablet Computer.

* cited by examiner

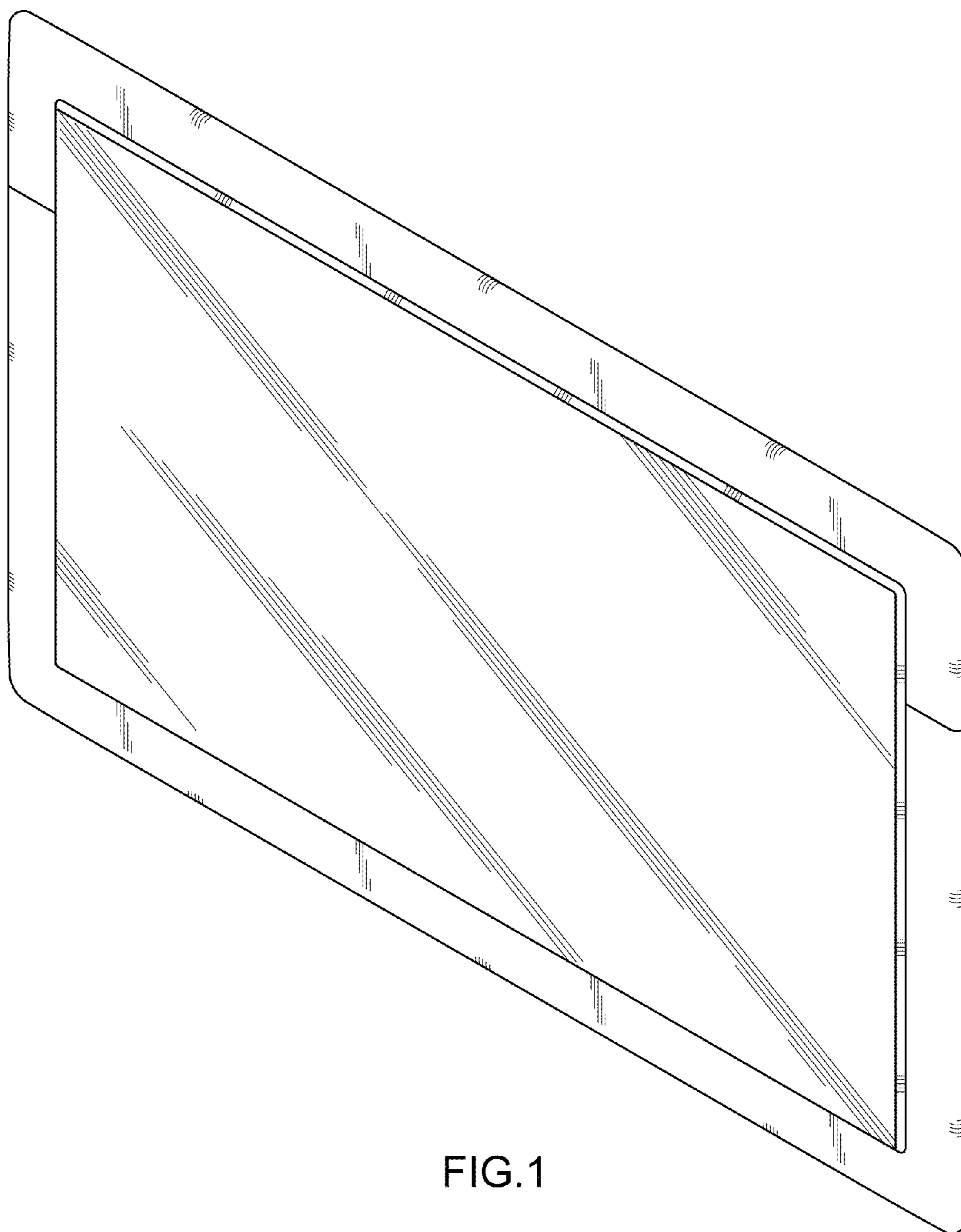


FIG. 1

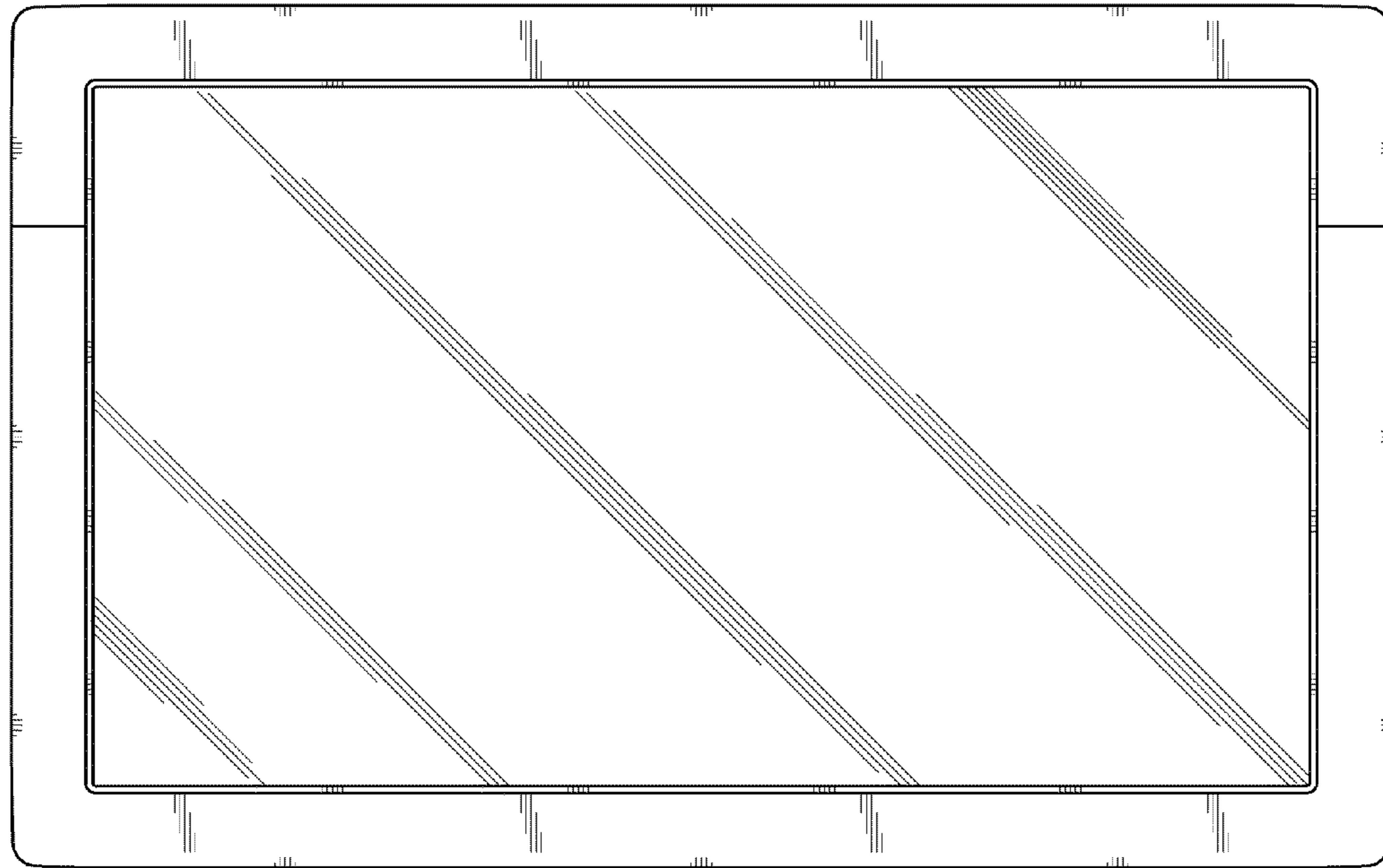


FIG. 2

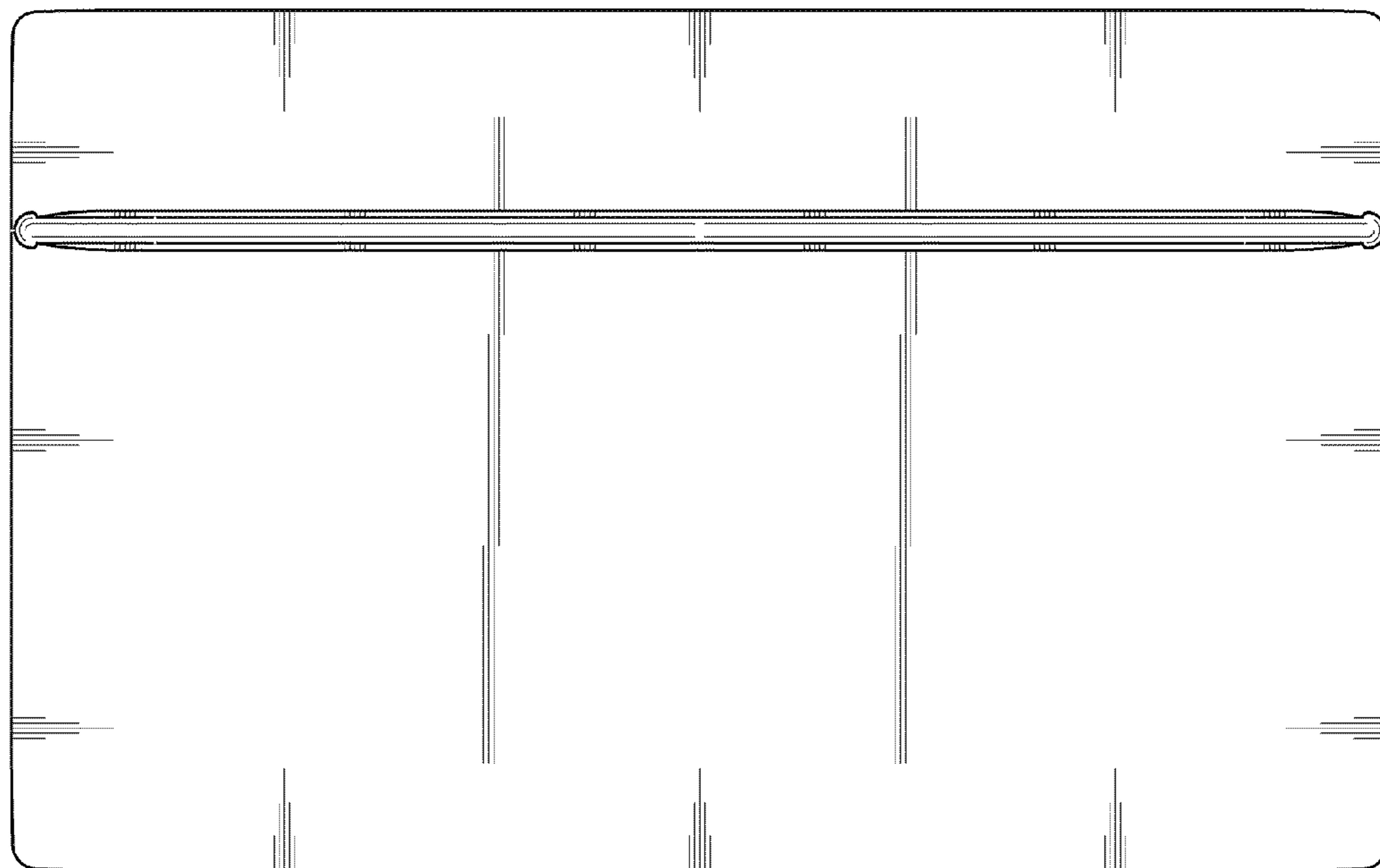


FIG. 3



FIG. 4

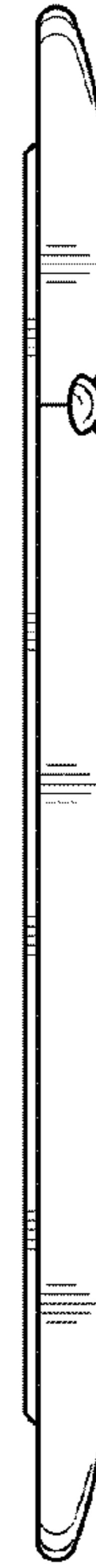


FIG. 5

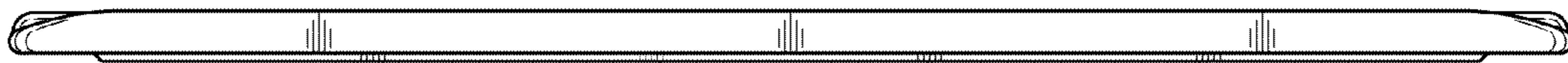


FIG. 6

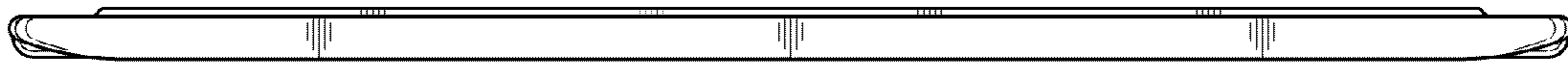


FIG. 7

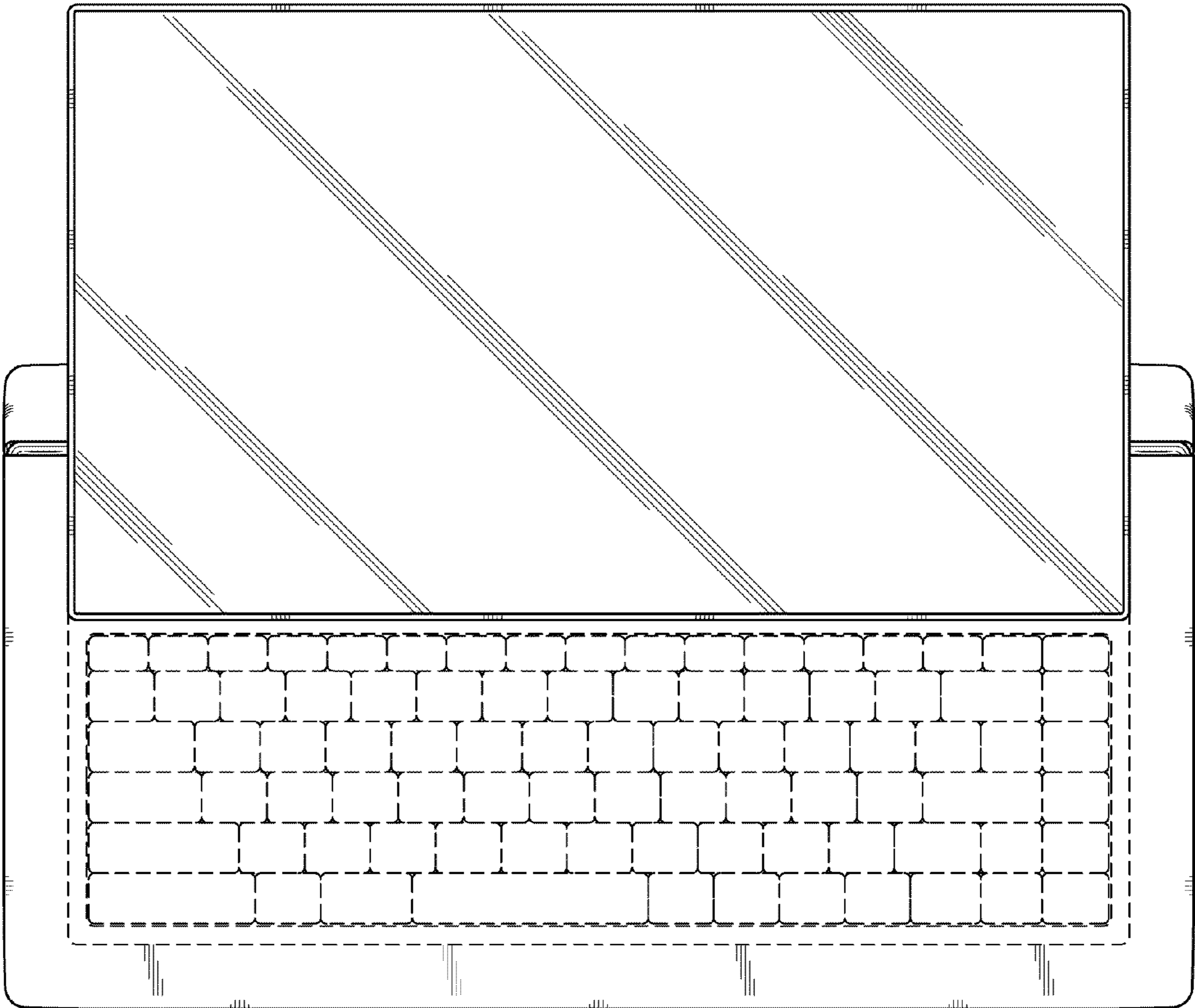


FIG.8

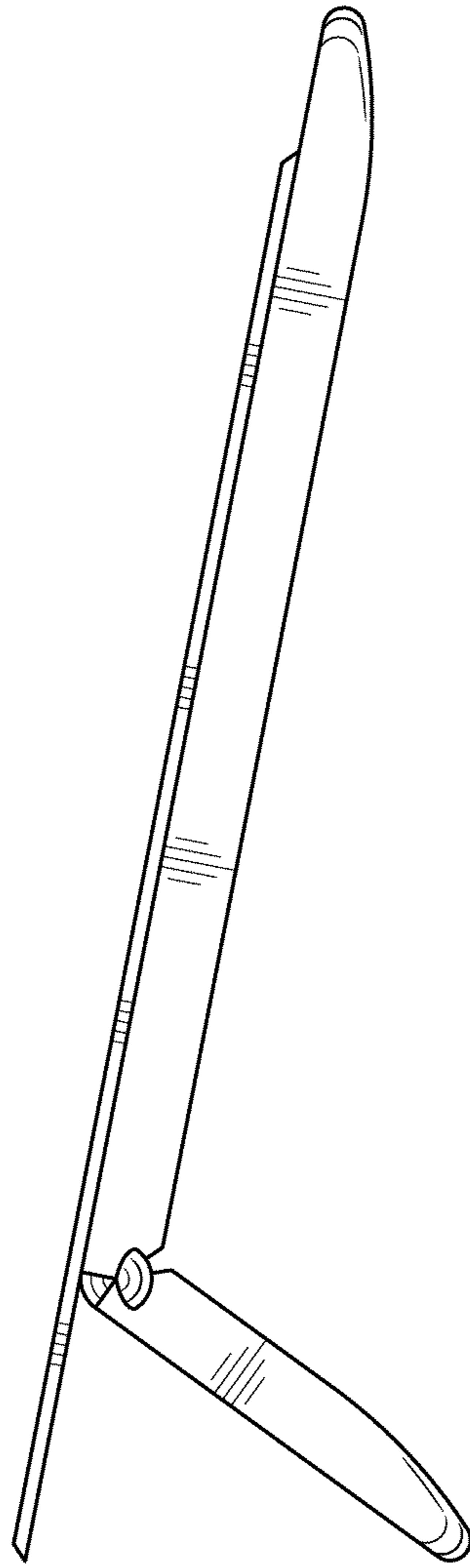


FIG.9