

US00D703666S

(12) **United States Design Patent**
McLean et al.

(10) **Patent No.:** **US D703,666 S**

(45) **Date of Patent:** **** Apr. 29, 2014**

(54) **HAND-HELD ELECTRONIC DISPLAY DEVICE**

(71) Applicant: **Hendon Semiconductors Pty Ltd,**
Hendon (AU)

(72) Inventors: **Daniel McLean,** Hendon (AU); **Barry Magazinovic,** Hendon (AU)

(73) Assignee: **Hendon Semiconductors Pty Ltd,**
Hendon, South Australia (AU)

(**) Term: **14 Years**

(21) Appl. No.: **29/438,550**

(22) Filed: **Nov. 30, 2012**

(30) **Foreign Application Priority Data**

Jun. 6, 2012 (AU) 12727/2012

(51) **LOC (10) Cl.** **14-02**

(52) **U.S. Cl.**
USPC **D14/341**

(58) **Field of Classification Search**
USPC D14/341-347, 137, 138 R, 138 AA,
D14/138 C, 138 G, 496, 203.1, 203.3, 203.4,
D14/203.7, 129, 130, 147, 218, 248, 389,
D14/388, 426, 420; D10/65, 104.1;
D18/6-7; D21/324, 329, 330;
455/556.1, 556.2, 566, 575.1, 90.3;
379/433.04, 433.01, 433.06, 916;
345/173, 901, 905; 361/679.26, 679.3,
361/679.55, 679.56

See application file for complete search history.

(56) **References Cited**

U.S. PATENT DOCUMENTS

D333,574 S *	3/1993	Ackeret	D6/300
D460,759 S *	7/2002	West et al.	D14/374
D481,057 S *	10/2003	Brady	D16/237
D505,676 S *	5/2005	Porter et al.	D14/388
D548,734 S *	8/2007	Huttunen et al.	D14/341
D594,453 S *	6/2009	Miyawaki	D14/341
D608,781 S *	1/2010	Wada	D14/371
D687,822 S *	8/2013	Grownney et al.	D14/341
D687,825 S *	8/2013	Lee et al.	D14/341

* cited by examiner

Primary Examiner — Barbara Fox

(74) *Attorney, Agent, or Firm* — Renner Kenner Greive
Bobak Taylor & Weber

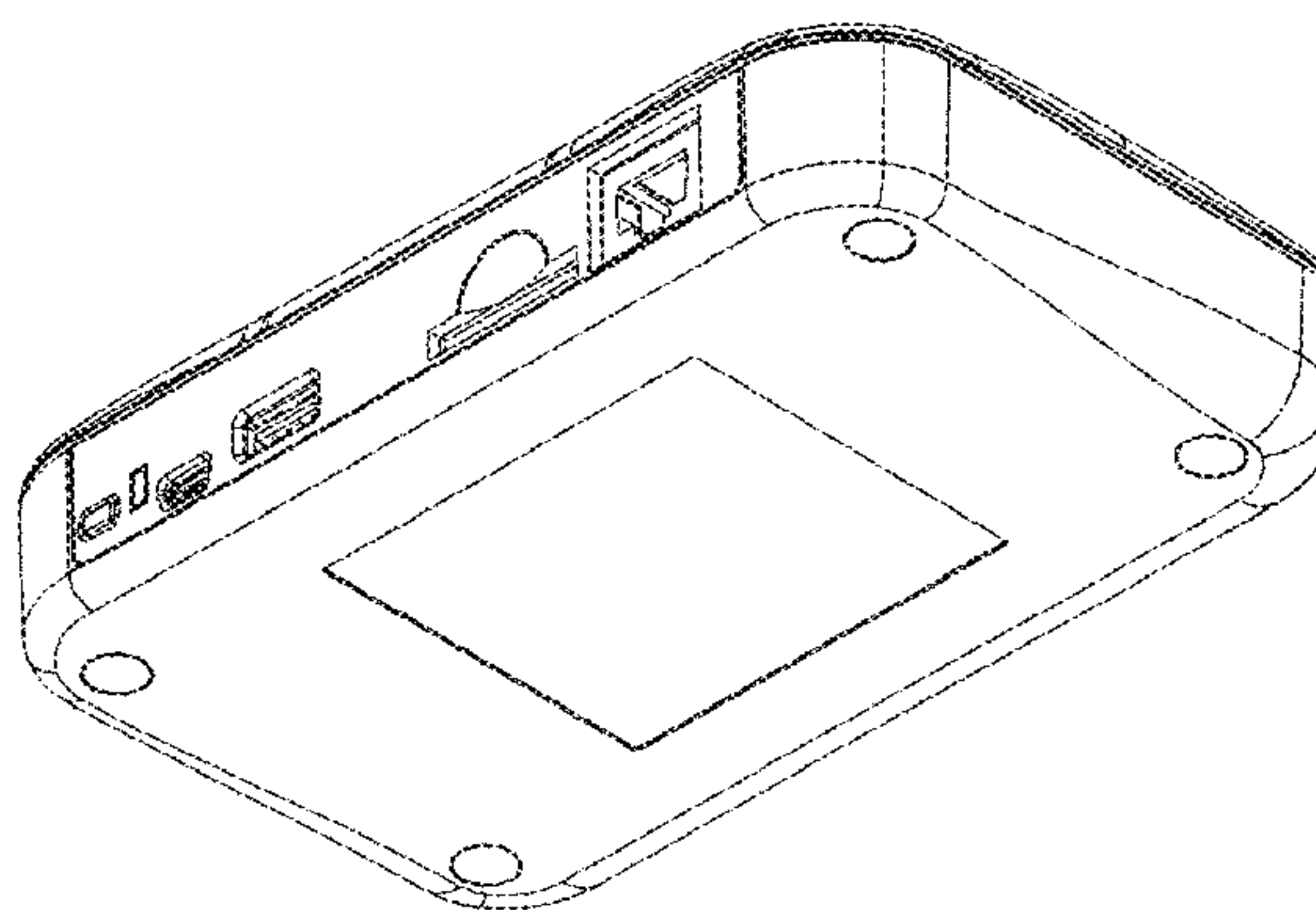
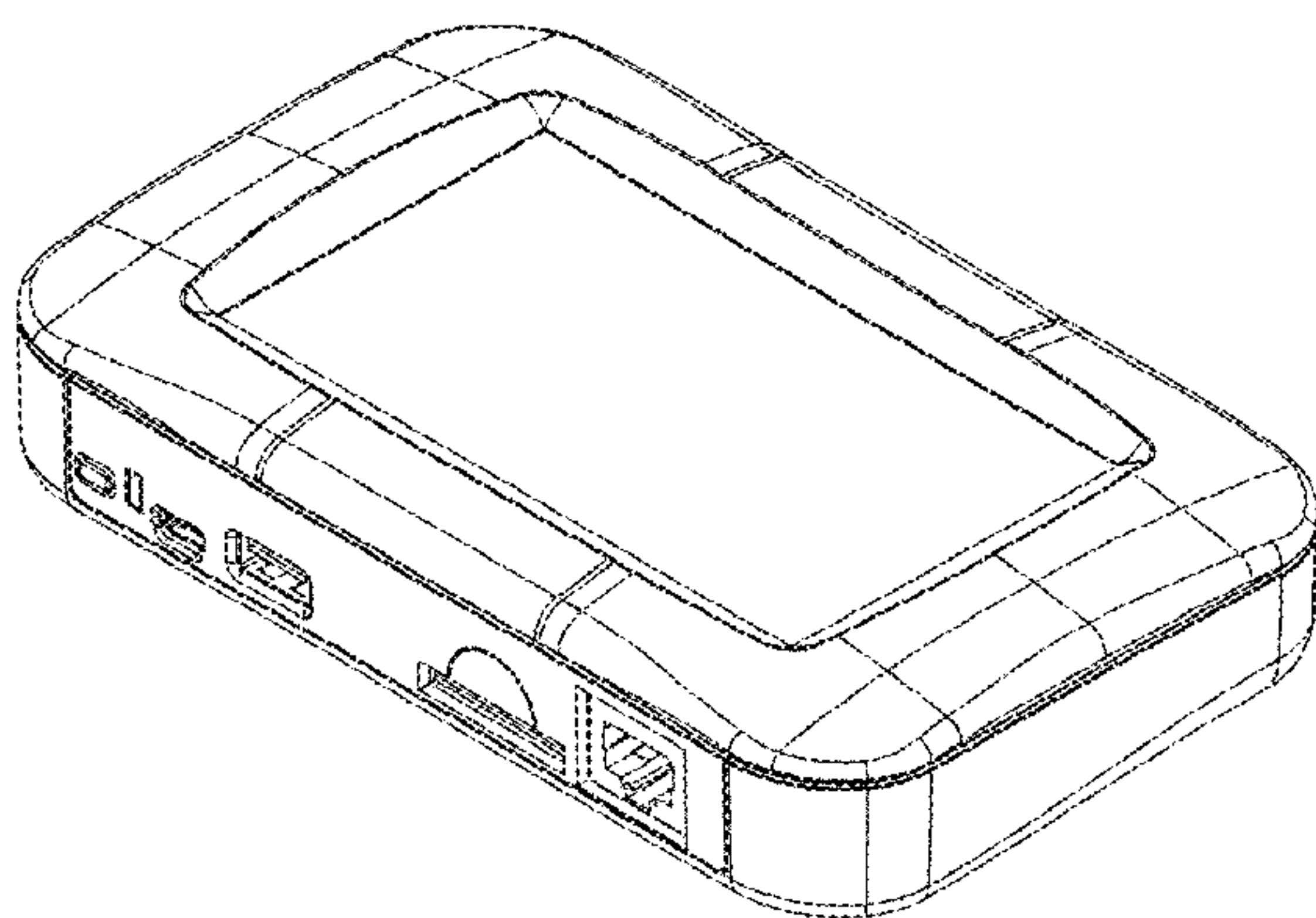
(57) **CLAIM**

We claim the ornamental design for a hand-held electronic display device, as shown and described.

DESCRIPTION

FIG. 1 is a front view of a hand-held electronic display device showing the new design.
FIG. 2 is a front perspective view thereof;
FIG. 3 is a top view thereof;
FIG. 4 is a bottom view thereof;
FIG. 5 is a left-side view thereof;
FIG. 6 is a right-side view thereof;
FIG. 7 is a rear view thereof; and,
FIG. 8 is rear perspective view thereof.

1 Claim, 5 Drawing Sheets



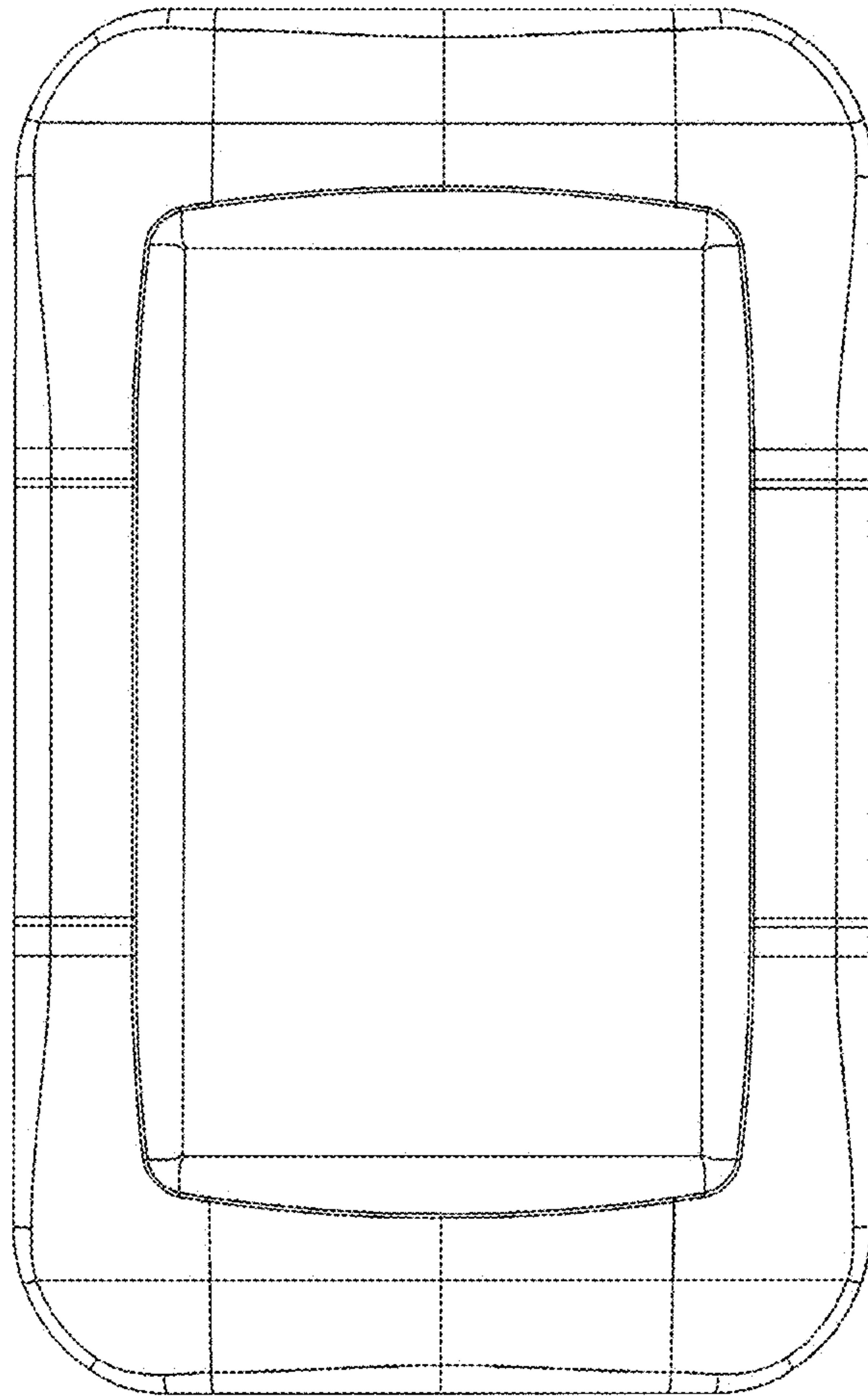


Fig. 1

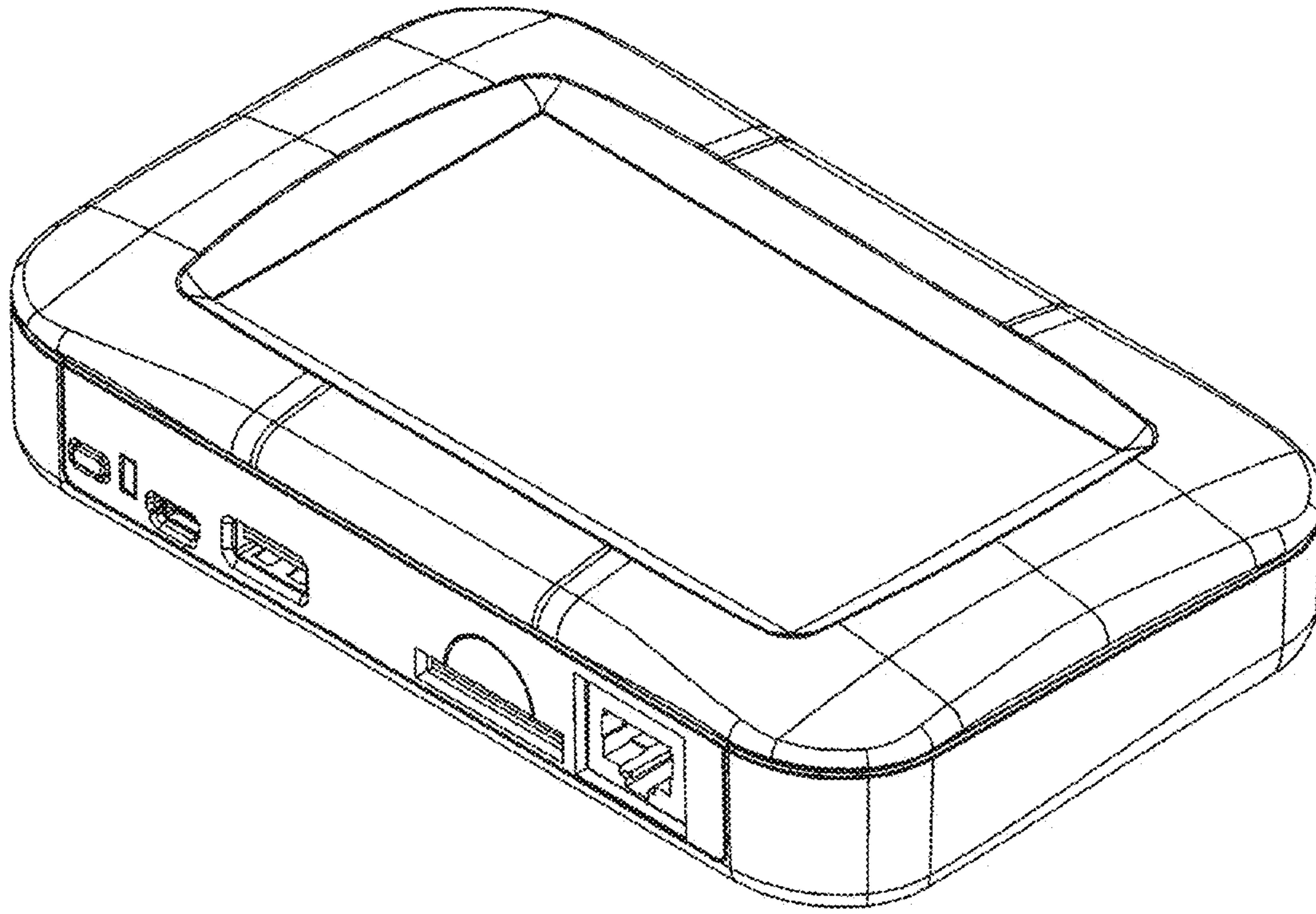


Fig. 2

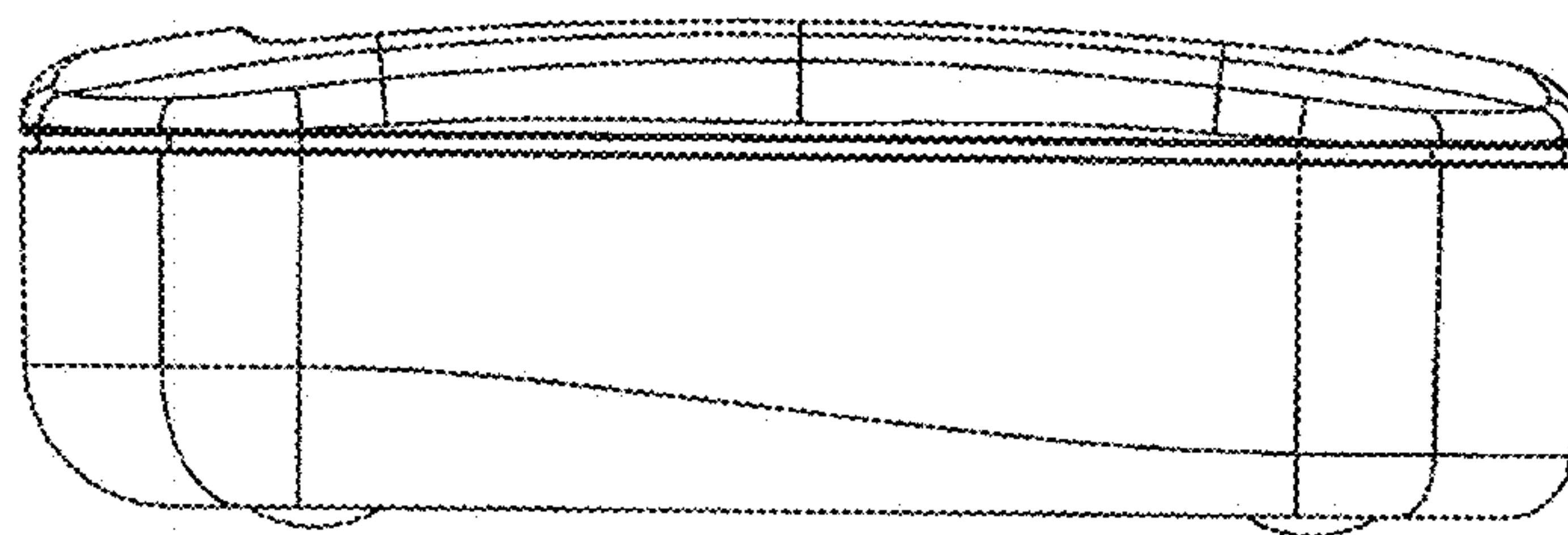


Fig. 3

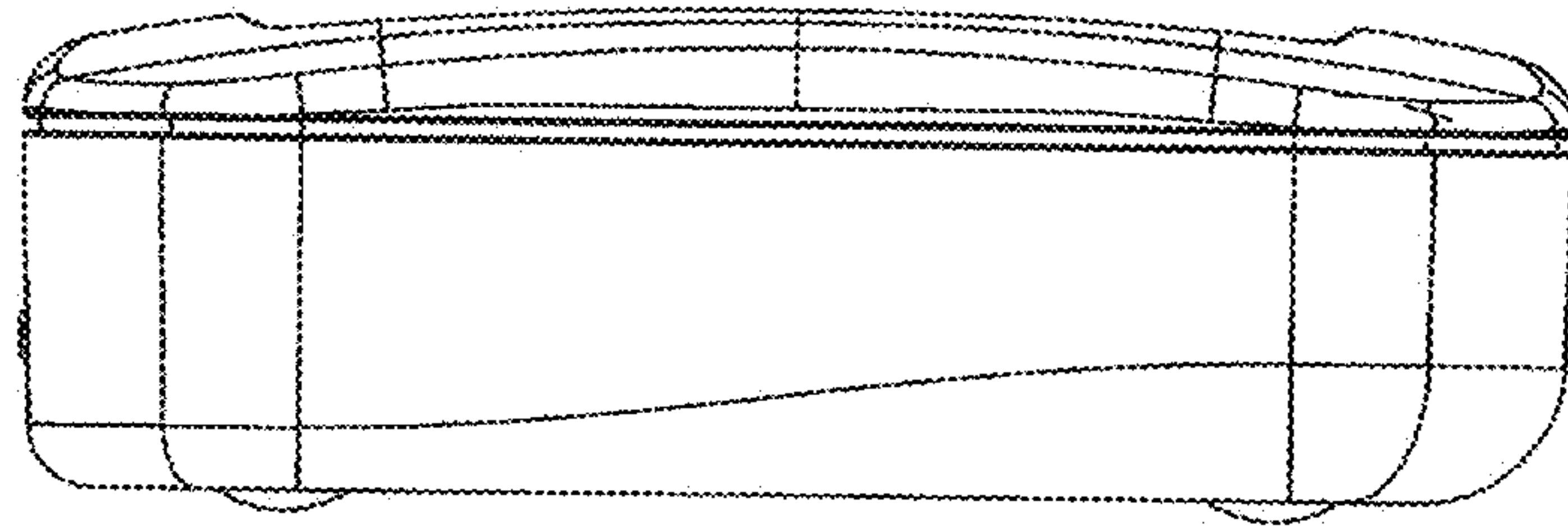


Fig. 4

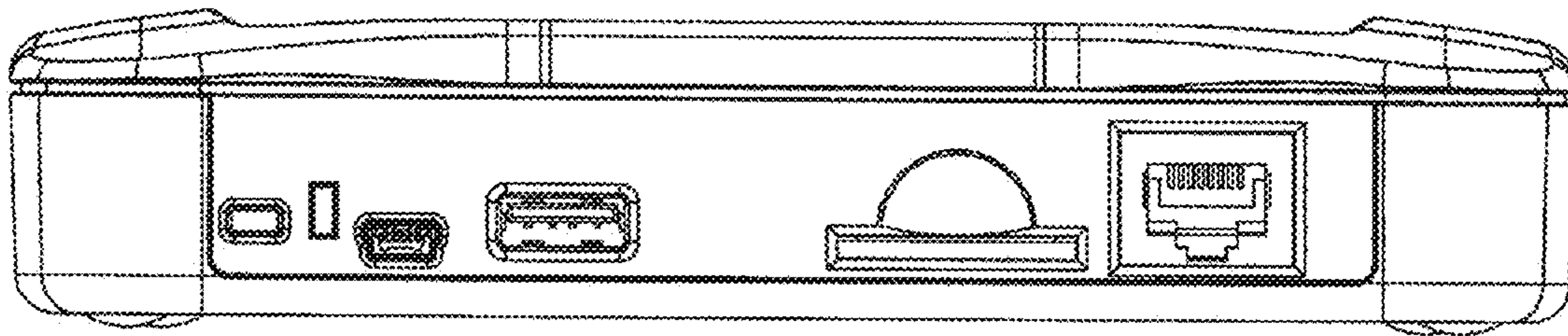


Fig. 5

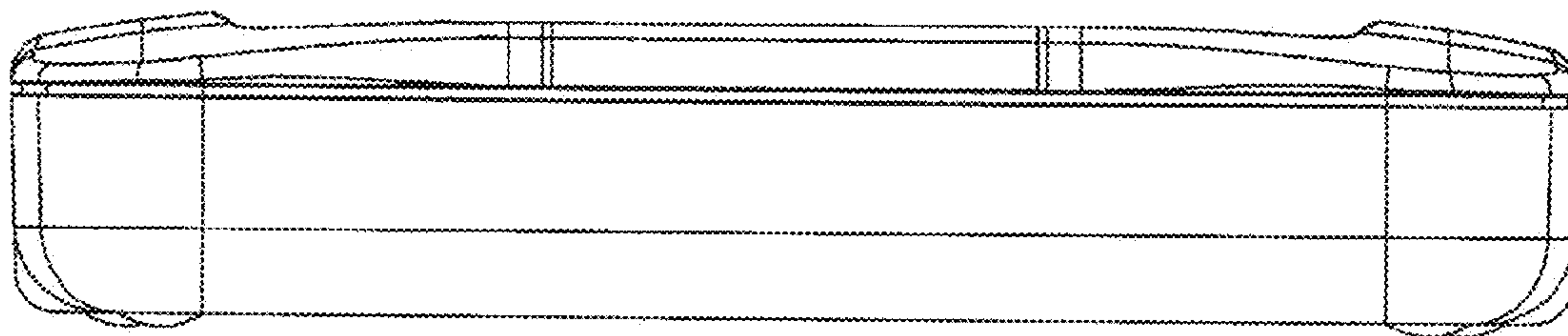


Fig. 6

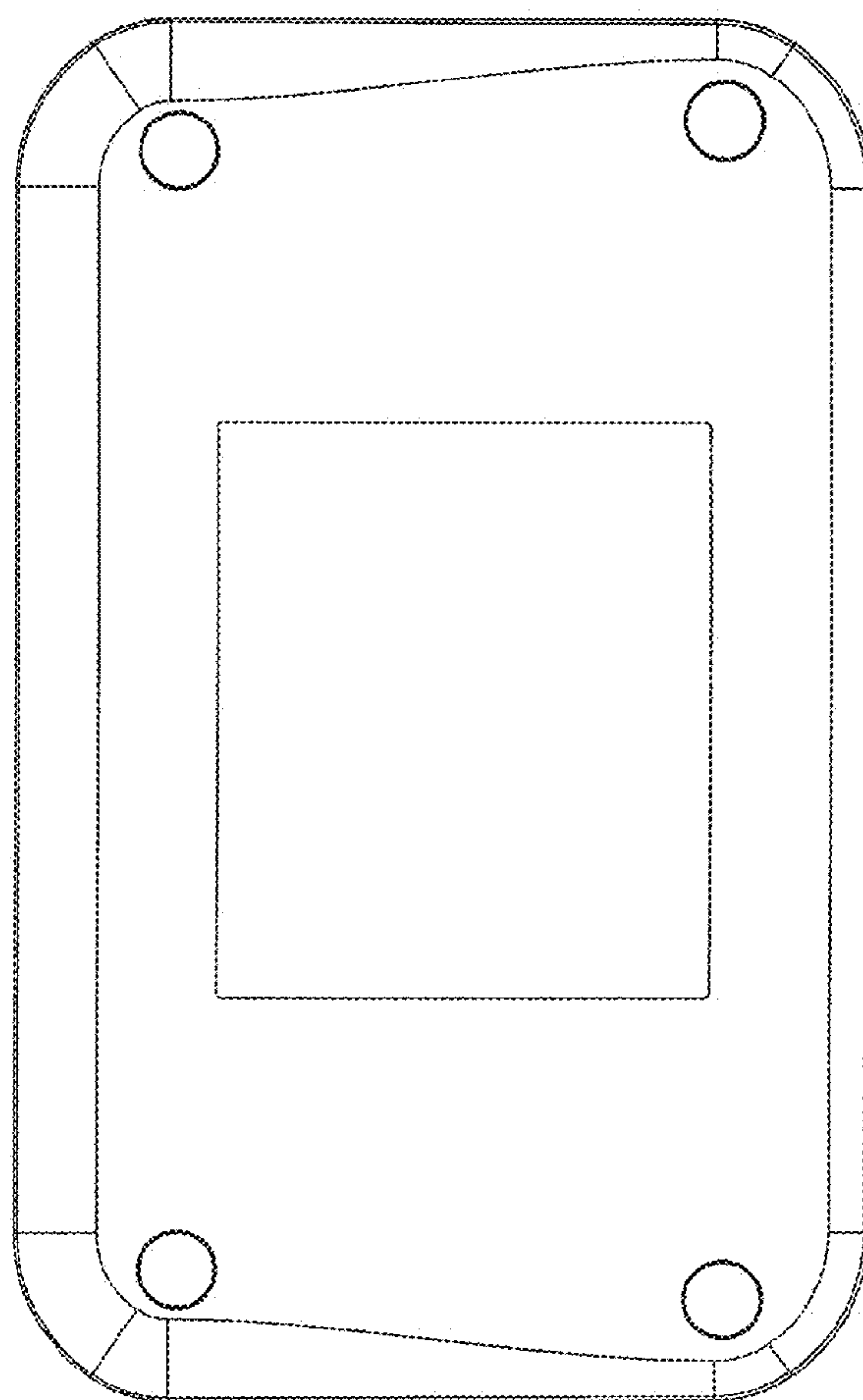


Fig. 7

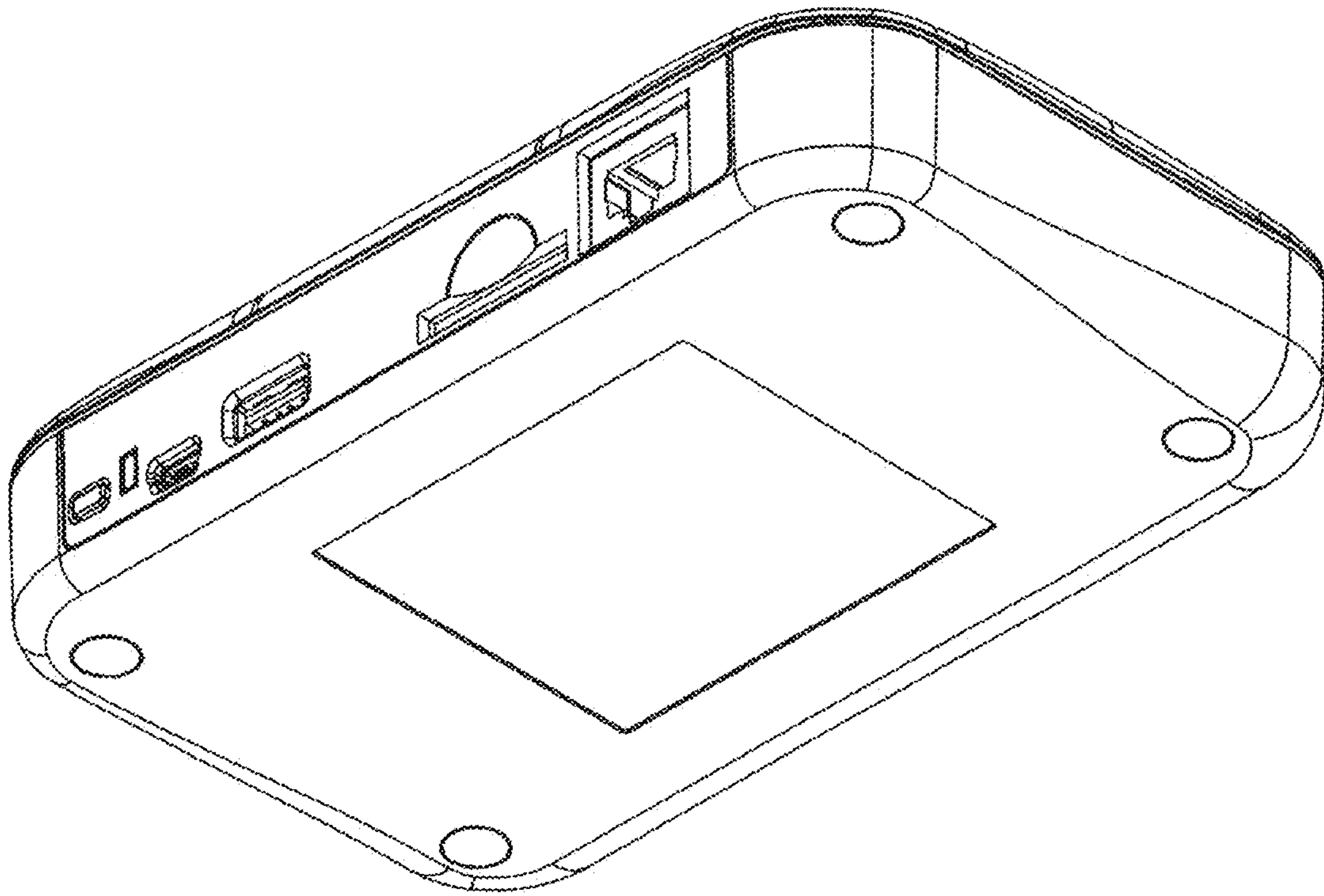


Fig. 8