



US00D703665S

(12) **United States Design Patent**  
**Suzuki et al.**

(10) **Patent No.:** **US D703,665 S**

(45) **Date of Patent:** **\*\* Apr. 29, 2014**

(54) **PORTABLE COMPUTER**  
(71) Applicant: **Panasonic Corporation**, Osaka (JP)  
(72) Inventors: **So Suzuki**, Osaka (JP); **Kiyoshi Yoneya**, Osaka (JP)

D635,971 S \* 4/2011 Sip et al. .... D14/341  
D638,395 S \* 5/2011 Finnegan .... D14/203.7  
D645,040 S \* 9/2011 Morton et al. .... D14/341  
D654,499 S \* 2/2012 Wesolek .... D14/346  
D672,767 S \* 12/2012 Yoneya et al. .... D14/341  
D676,043 S \* 2/2013 Hirose .... D14/341  
D676,046 S \* 2/2013 Hatori et al. .... D14/341

(73) Assignee: **Panasonic Corporation**, Osaka (JP)

**FOREIGN PATENT DOCUMENTS**

(\*\*) Term: **14 Years**

JP D1409097 3/2011  
JP D1409406 3/2011

(21) Appl. No.: **29/436,416**

\* cited by examiner

(22) Filed: **Nov. 6, 2012**

*Primary Examiner* — Barbara Fox

(51) **LOC (10) Cl.** ..... **14-02**

(74) *Attorney, Agent, or Firm* — Brinks Gilson & Lione

(52) **U.S. Cl.**  
USPC ..... **D14/341**

(57) **CLAIM**

We claim the ornamental design for a portable computer, as shown and described.

(58) **Field of Classification Search**  
USPC ..... D14/341–347, 137, 138 R, 138 AA, D14/138 C, 138 G, 496, 203.1, 203.3, 203.4, D14/203.7, 129, 130, 147, 218, 248, 389, D14/388, 426, 420; D10/65, 104.1; D18/6–7; D21/324, 329, 330; 455/556.1, 556.2, 566, 575.1, 90.3; 379/433.04, 433.01, 433.06, 916; 345/173, 901, 905; 361/679.26, 679.3, 361/679.55, 679.56

**DESCRIPTION**

See application file for complete search history.

FIG. 1 is a front perspective view of a portable computer of the present invention;  
FIG. 2 is a front view thereof;  
FIG. 3 is a rear view thereof;  
FIG. 4 is a first side view thereof;  
FIG. 5 is a second side view thereof;  
FIG. 6 is a top view thereof;  
FIG. 7 is a bottom view thereof;  
FIG. 8 is a sectional view taken along the line 8-8 of FIG. 2; and,  
FIG. 9 is a sectional view taken along the line 9-9 of FIG. 2. The broken lines shown in the drawings represent portions of the portable computer that form no part of the claimed design.

(56) **References Cited**

**U.S. PATENT DOCUMENTS**

D519,394 S \* 4/2006 DiPasquale ..... D10/106.1  
D615,973 S \* 5/2010 Sip et al. .... D14/346  
D627,780 S \* 11/2010 Kuroda ..... D14/346

**1 Claim, 9 Drawing Sheets**

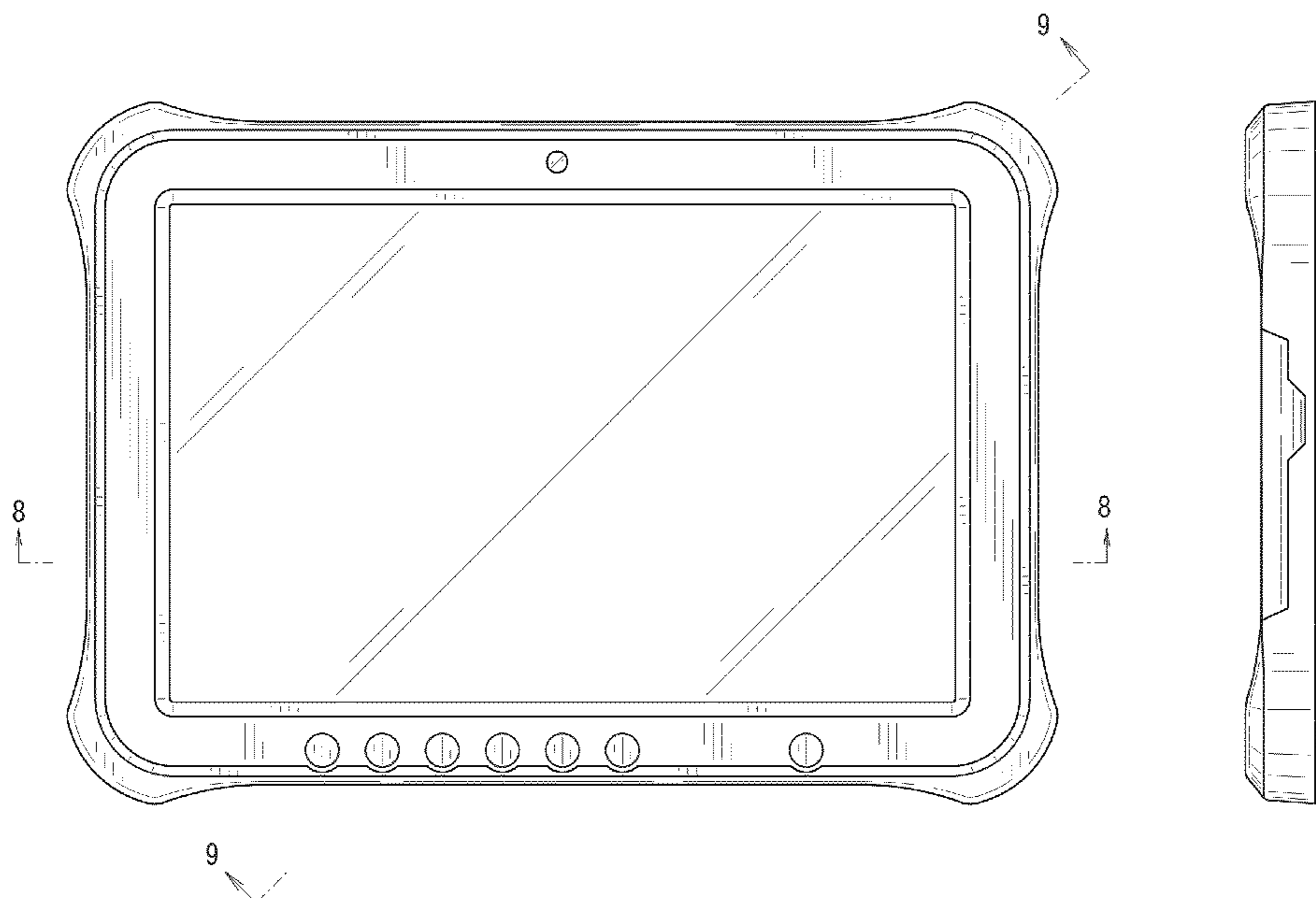


FIG. 1

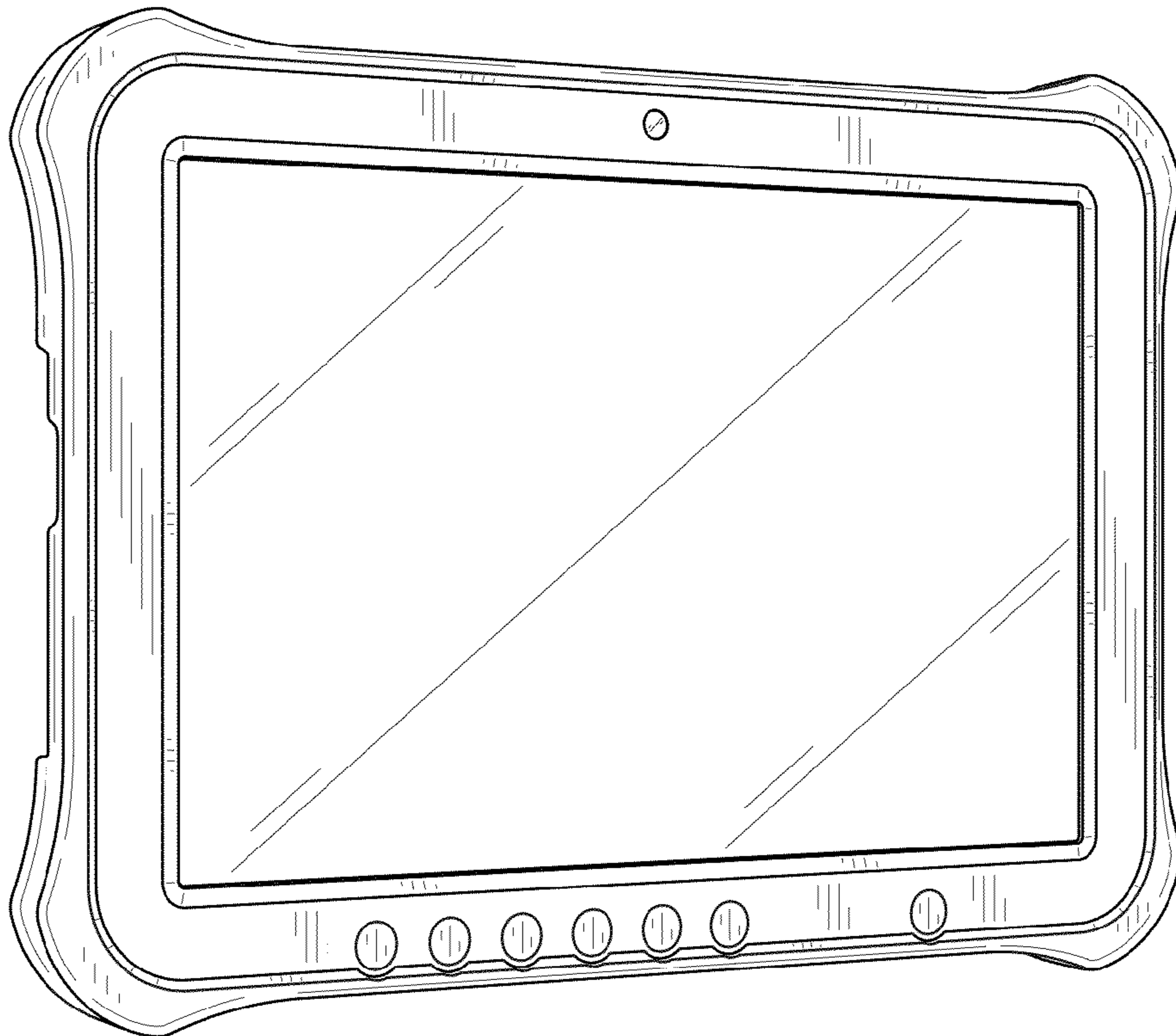


FIG. 2

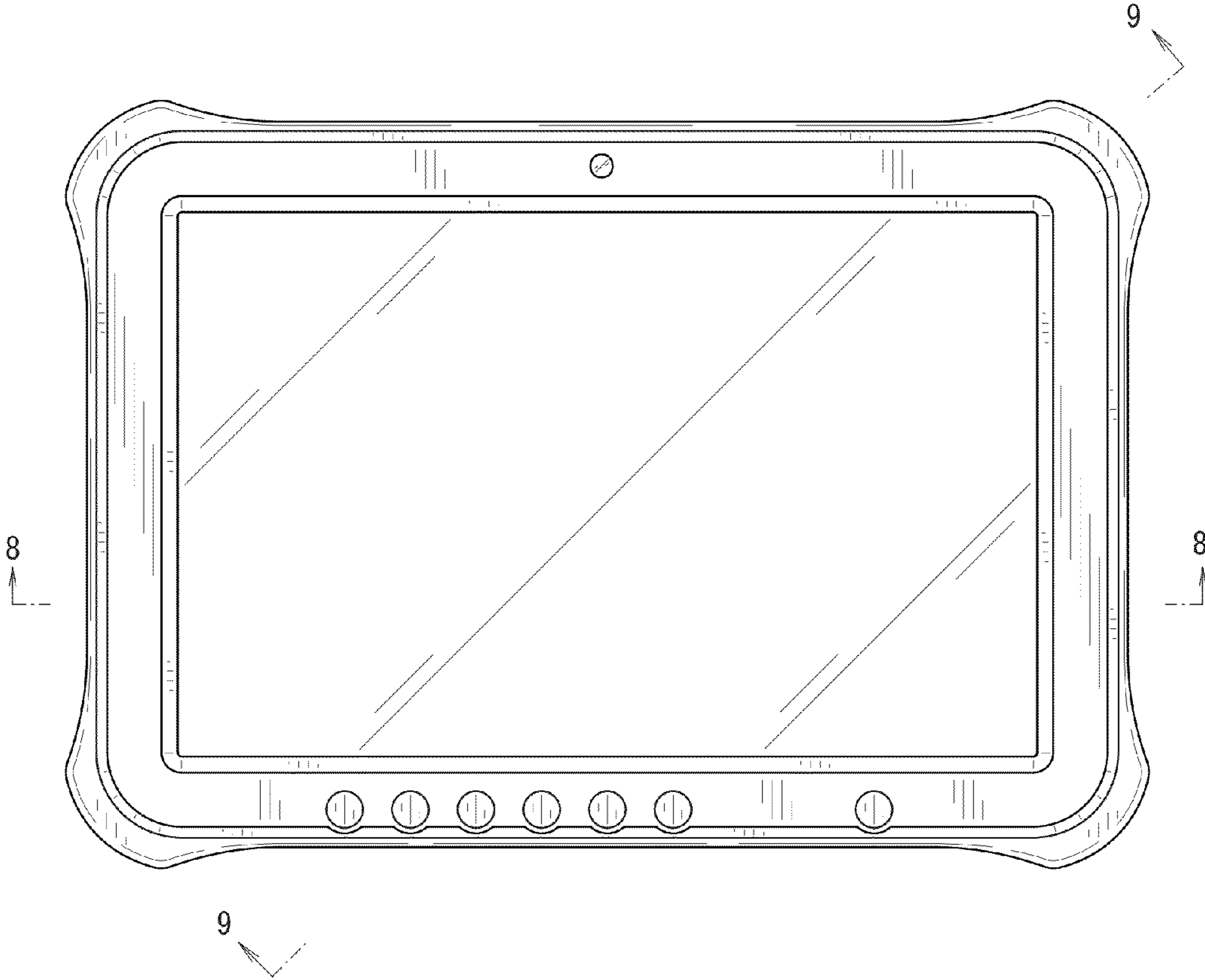


FIG. 3

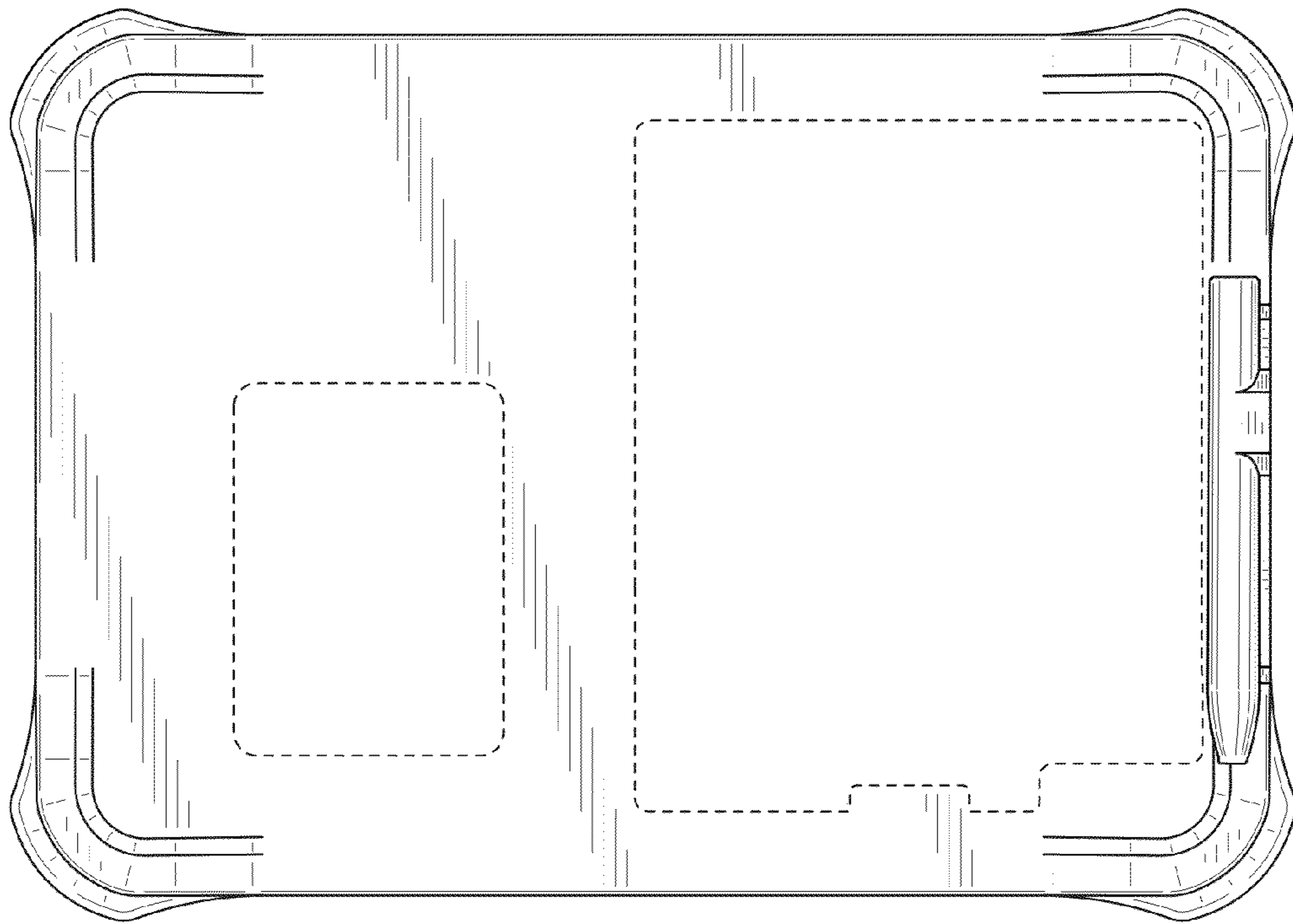


FIG. 4

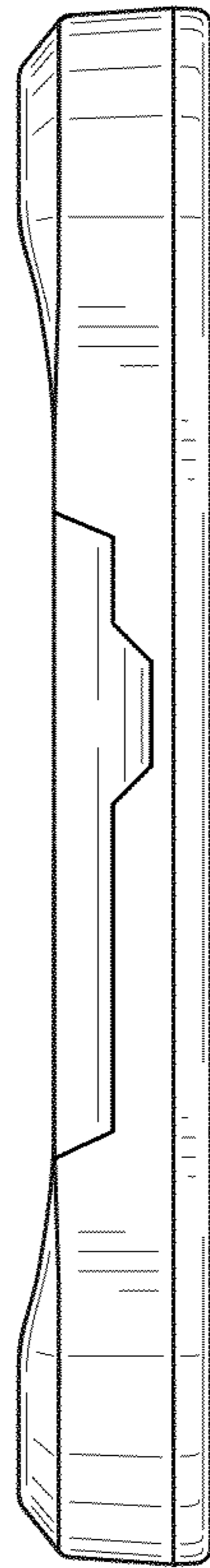


FIG. 5

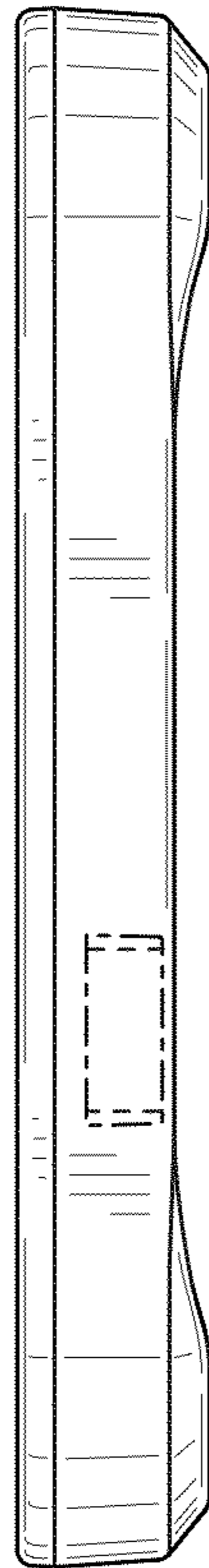


FIG. 6

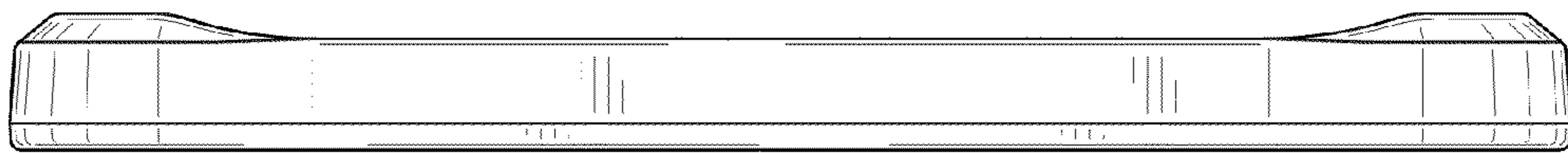


FIG. 7

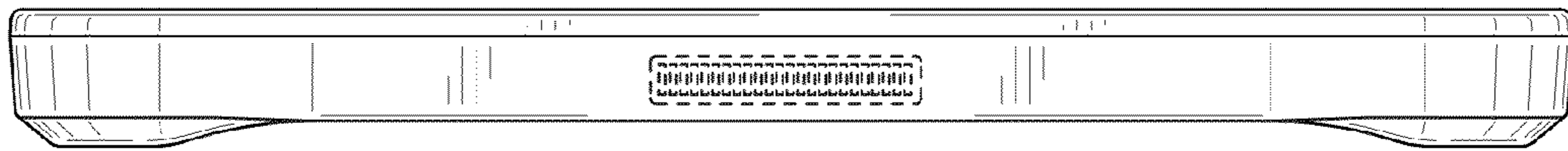




FIG. 8

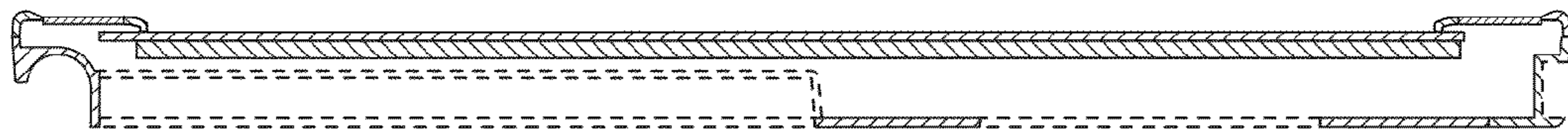


FIG. 9

