



US00D703662S

(12) **United States Design Patent**  
**Webb et al.**

(10) **Patent No.:** **US D703,662 S**  
(45) **Date of Patent:** **\*\* Apr. 29, 2014**

(54) **ELECTRONIC DEVICE WITH A SCREEN**

(75) Inventors: **William Webb**, San Francisco, CA (US);  
**Robert Swinton**, San Francisco, CA (US)

(73) Assignee: **Plastic Logic Limited**, Cambridge, Cambridgeshire (GB)

(\*\*) Term: **14 Years**

(21) Appl. No.: **29/428,287**

(22) Filed: **Jul. 27, 2012**

(30) **Foreign Application Priority Data**

Jan. 31, 2012 (EM) ..... 001983990

(51) **LOC (10) Cl.** ..... **14-02**

(52) **U.S. Cl.**  
USPC ..... **D14/341**

(58) **Field of Classification Search**

USPC ..... D14/341-347, 137, 138 R, 138 AA, D14/138 C, 138 G, 496, 203.1, 203.3, 203.4, D14/203.7, 129, 130, 147, 218, 248, 389, D14/388, 426, 420; D10/65, 104.1; D18/6-7; D21/324, 329, 330; 455/556.1, 556.2, 566, 575.1, 90.3; 379/433.04, 433.01, 433.06, 916; 345/173, 901, 905; 361/679.26, 679.3, 361/679.55, 679.56

See application file for complete search history.

(56) **References Cited**

**U.S. PATENT DOCUMENTS**

D428,018 S \* 7/2000 Amron ..... D14/203.7  
D428,019 S \* 7/2000 Amron ..... D14/203.7  
D489,717 S \* 5/2004 Hsieh ..... D14/341  
D501,473 S \* 2/2005 Nakata ..... D14/341  
D585,444 S \* 1/2009 Verschoor ..... D14/345  
D623,184 S \* 9/2010 Green et al. .... D14/346  
D625,307 S \* 10/2010 Cheng ..... D14/341

D627,777 S \* 11/2010 Akana et al. .... D14/341  
D654,497 S \* 2/2012 Lee ..... D14/341  
D663,298 S \* 7/2012 Song et al. .... D14/341  
D667,396 S \* 9/2012 Koh ..... D14/341  
D668,650 S \* 10/2012 Han ..... D14/341  
D668,651 S \* 10/2012 Kim et al. .... D14/341  
D669,468 S \* 10/2012 Akana et al. .... D14/341  
D670,286 S \* 11/2012 Akana et al. .... D14/341  
D670,692 S \* 11/2012 Akana et al. .... D14/341  
D671,514 S \* 11/2012 Kim et al. .... D14/138 G  
D672,768 S \* 12/2012 Huang et al. .... D14/341  
D673,561 S \* 1/2013 Hyun et al. .... D14/341

(Continued)

*Primary Examiner* — Barbara Fox

(74) *Attorney, Agent, or Firm* — Knobbe Martens Olson & Bear, LLP

(57) **CLAIM**

The ornamental design for an electronic device with a screen, as shown and described.

**DESCRIPTION**

FIG. 1 is a perspective view of an electronic device of the present design showing the front, bottom and first side portions of the device;

FIG. 2 a perspective view of an electronic device of the present design showing the back, bottom, and second side portions;

FIG. 3 is a front view of an electronic device of the present design showing the front portion of the device;

FIG. 4 is a back view of an electronic device of the present design showing the back portion of the device;

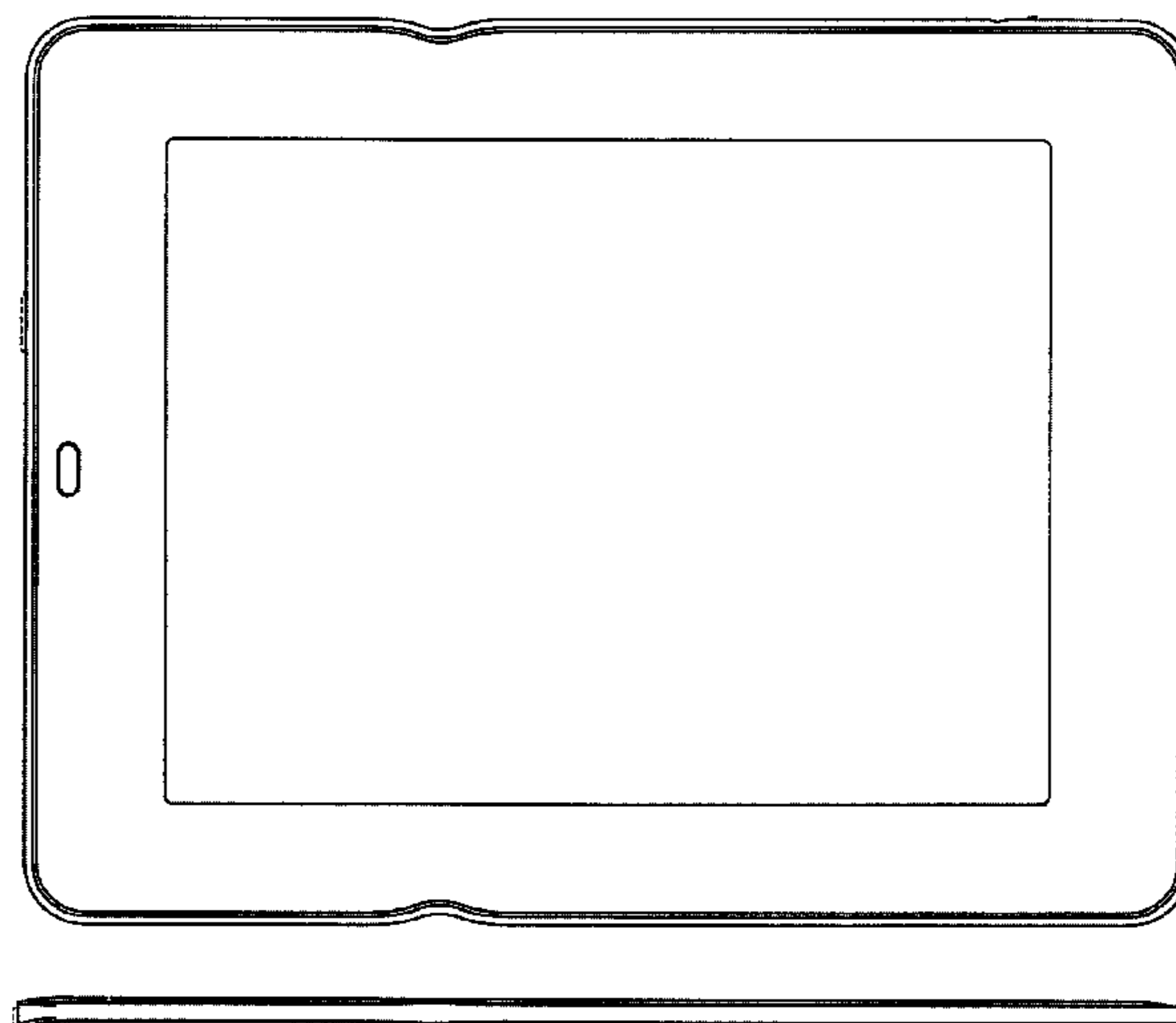
FIG. 5 is a top view of an electronic device of the present design showing the top portion of the device;

FIG. 6 is a bottom view of an electronic device of the present design showing the bottom portion of the device; and,

FIG. 7 is a side view of an electronic device of the present design showing a first side portion of the device.

The broken lines on the back and lateral portions of the device form no part of the claimed design.

**1 Claim, 5 Drawing Sheets**



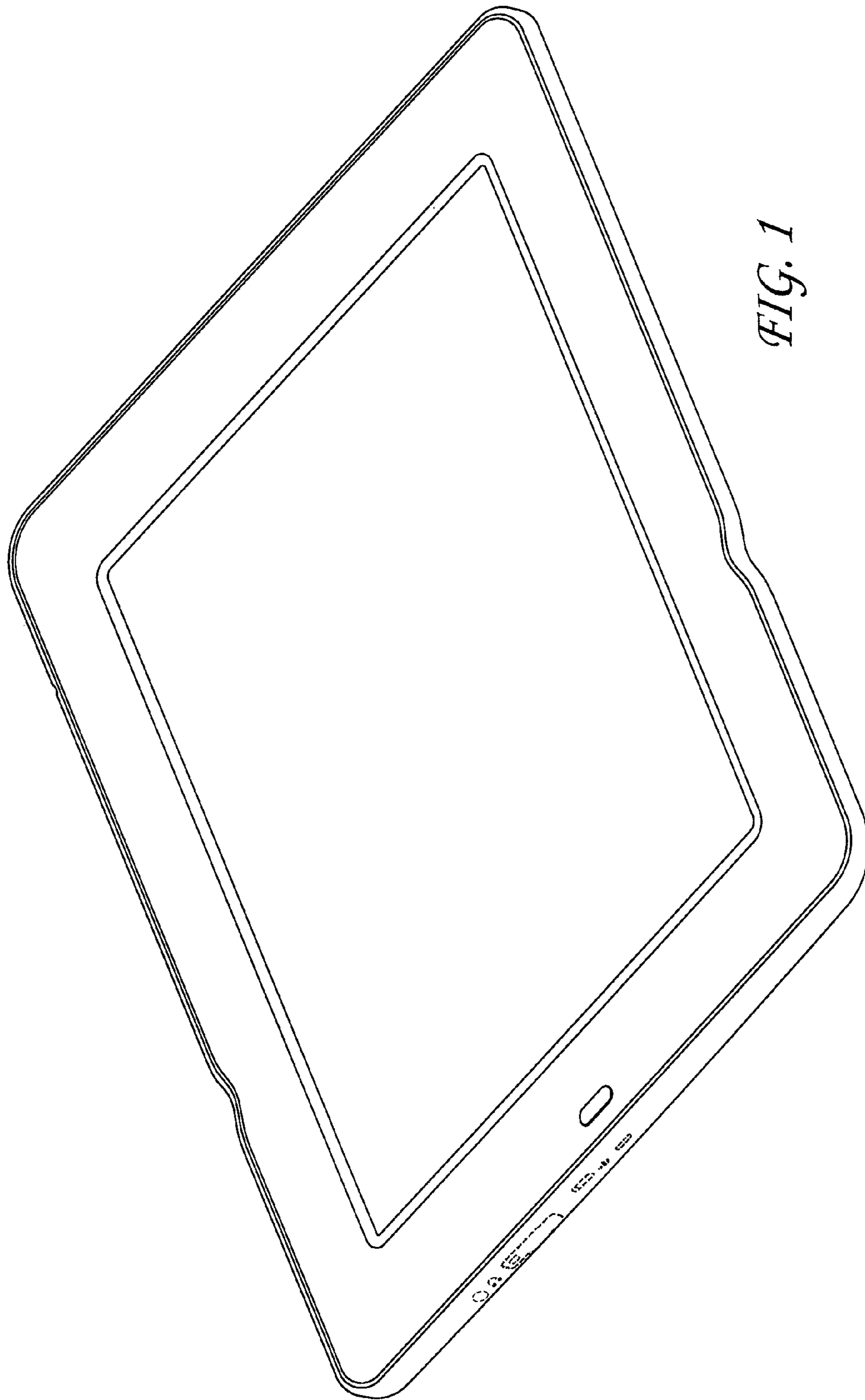
(56)

**References Cited**

U.S. PATENT DOCUMENTS

D677,255 S *	3/2013	McManigal et al. ....	D14/341	D687,823 S *	8/2013	Ryu et al. ....	D14/341
D677,659 S *	3/2013	Akana et al. ....	D14/341	D688,661 S *	8/2013	Ho et al. ....	D14/341
D677,660 S *	3/2013	Groene et al. ....	D14/341	D689,481 S *	9/2013	Song et al. ....	D14/341
D678,271 S *	3/2013	Chiu .....	D14/341	D689,482 S *	9/2013	Akana et al. ....	D14/341
D679,706 S *	4/2013	Tang et al. ....	D14/341	D690,297 S *	9/2013	Chang et al. ....	D14/341
D680,524 S *	4/2013	Feng et al. ....	D14/341	D690,299 S *	9/2013	Akana et al. ....	D14/341
D681,632 S *	5/2013	Akana et al. ....	D14/341	D690,300 S *	9/2013	Akana et al. ....	D14/341
D684,968 S *	6/2013	Smith et al. ....	D14/341	D691,996 S *	10/2013	Ohshima .....	D14/341
D684,969 S *	6/2013	Smith et al. ....	D14/341	D692,877 S *	11/2013	Zuege .....	D14/341
D687,432 S *	8/2013	Duan et al. ....	D14/341	D692,880 S *	11/2013	Song et al. ....	D14/341
				D693,340 S *	11/2013	Ohshima .....	D14/341
				D694,211 S *	11/2013	Yuu et al. ....	D14/138 G
				D694,212 S *	11/2013	Yuu et al. ....	D14/138 G

\* cited by examiner



*FIG. 1*

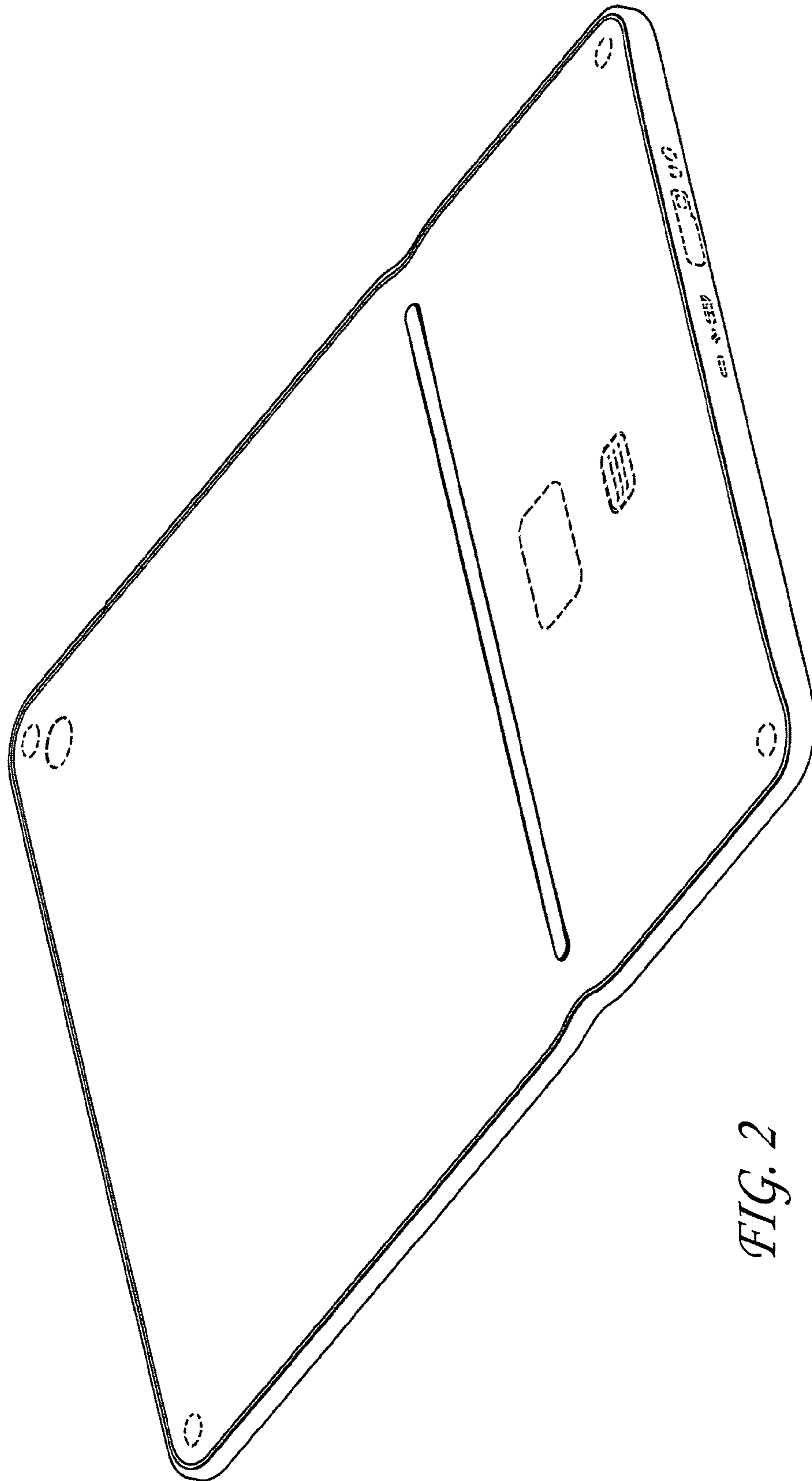
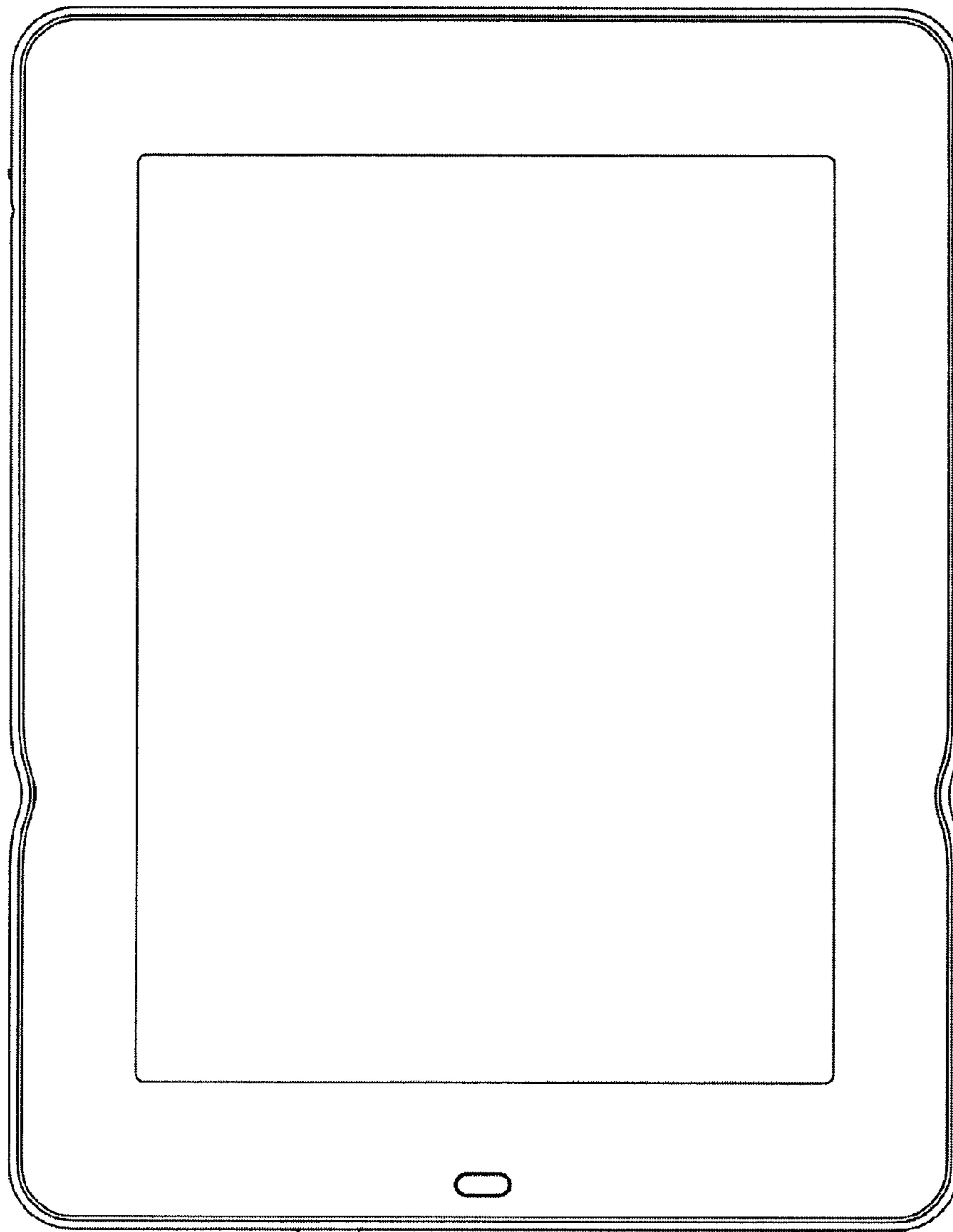


FIG. 2



*FIG. 3*

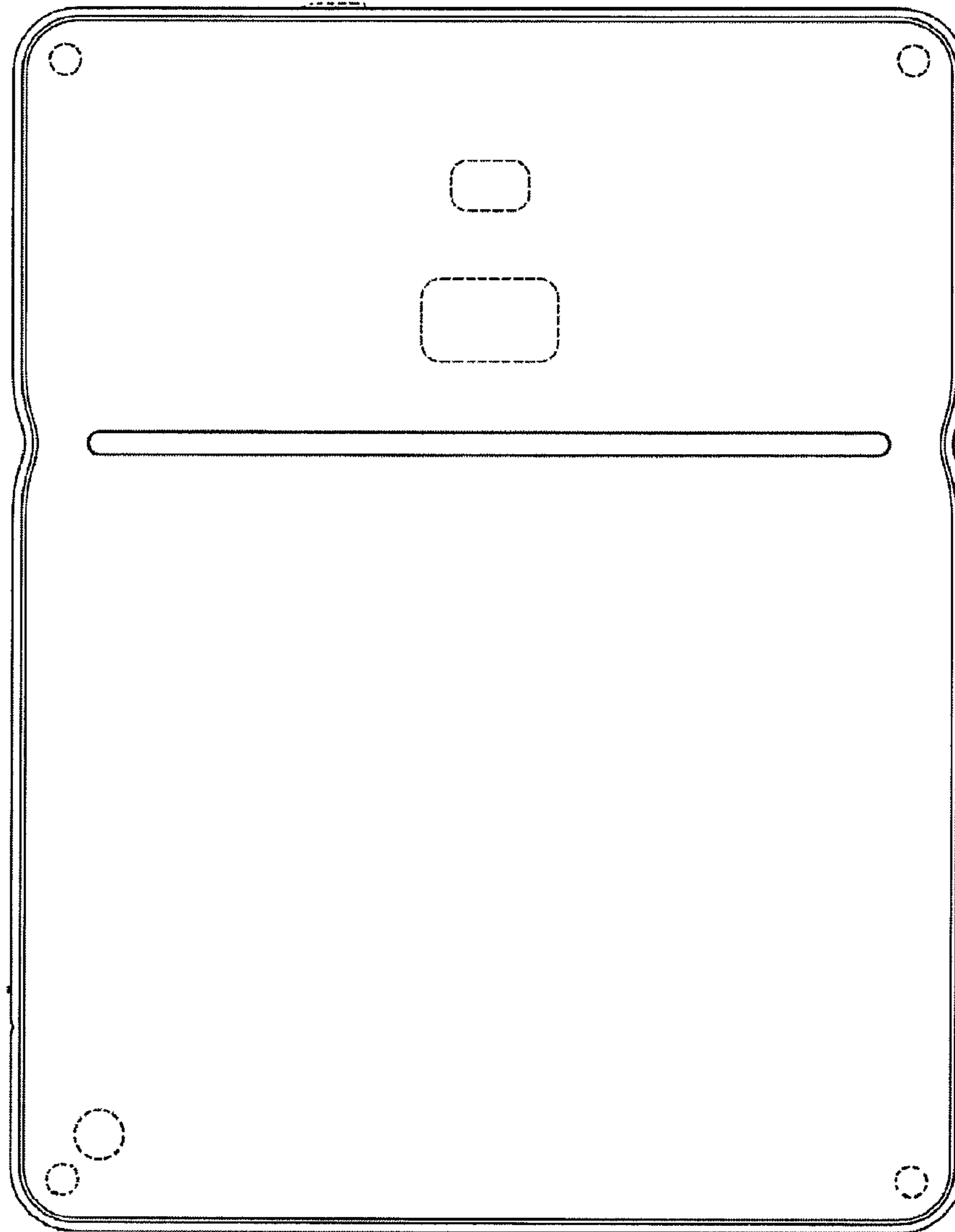
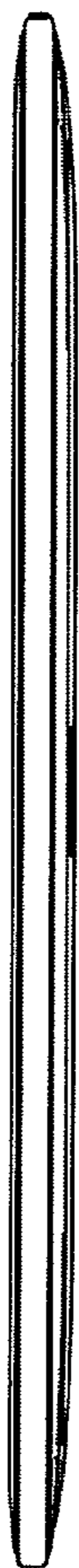


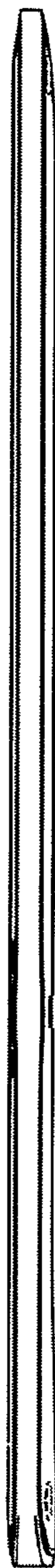
FIG. 4



*FIG. 5*



*FIG. 6*



*FIG. 7*