



US00D703659S

(12) **United States Design Patent**
Werth

(10) **Patent No.:** **US D703,659 S**
(45) **Date of Patent:** **** Apr. 29, 2014**

(54) **VIEWING STAND**

(71) Applicant: **Albert A. Werth**, Elk Rapids, MI (US)

(72) Inventor: **Albert A. Werth**, Elk Rapids, MI (US)

(73) Assignee: **Saint-Gobain Performance Plastics Corporation**, Aurora, OH (US)

(**) Term: **14 Years**

(21) Appl. No.: **29/446,540**

(22) Filed: **Feb. 25, 2013**

Related U.S. Application Data

(60) Division of application No. 29/394,706, filed on Jun. 21, 2011, now Pat. No. Des. 679,700, which is a continuation of application No. 29/368,007, filed on Aug. 17, 2010, now Pat. No. Des. 658,168.

(51) **LOC (10) Cl.** **14-03**

(52) **U.S. Cl.**
USPC **D14/253**

(58) **Field of Classification Search**
USPC D14/140, 217, 224, 224.1, 229, 240, D14/243, 250–253, 299, 344, 434, 447, D14/451–452, 483, 496; D13/108; 361/679.41; 439/534; 320/115, 116, 320/107; D8/355, 363; D12/415, 418; 379/449, 455, 165; 248/122.1, 127, 248/157, 205.8, 206.2, 279.1, 205.5, 309.1, 248/309.3, 352; D3/201, 218, 269, 273, D3/301; D11/79; 63/26

See application file for complete search history.

(56) **References Cited**

U.S. PATENT DOCUMENTS

D390,849 S 2/1998 Richter et al.
D411,543 S 6/1999 Richter
6,193,546 B1 2/2001 Sadler
D471,548 S 3/2003 Zheng
6,672,549 B2 1/2004 Kolb
6,971,622 B2 12/2005 Ziegler et al.

D554,647 S 11/2007 Chan
D557,259 S 12/2007 Hirsch
D574,375 S 8/2008 Prest et al.
D602,025 S 10/2009 Richter
D606,065 S 12/2009 Rihu
D613,731 S 4/2010 Yeo
D619,586 S 7/2010 Richter
D619,587 S 7/2010 Richter
D626,964 S 11/2010 Richardson et al.
D627,624 S 11/2010 Brassard
D638,008 S 5/2011 Richter
D639,816 S 6/2011 Bau
D640,247 S * 6/2011 Baumann et al. D14/253
D646,315 S 10/2011 Orf
D651,213 S * 12/2011 Magness et al. D14/447
D652,422 S * 1/2012 Cheng D14/447
D658,168 S 4/2012 Werth
D658,170 S * 4/2012 Chen et al. D14/253
D659,147 S 5/2012 Hu et al.
D663,294 S 7/2012 Buxton
D664,141 S * 7/2012 Haymond D14/253
D664,528 S * 7/2012 Chen et al. D14/253
D669,481 S * 10/2012 Prescott et al. D14/447
D672,783 S * 12/2012 Robinson D14/447
D676,055 S * 2/2013 Izen et al. D14/447
2004/0097127 A1 5/2004 Smith et al.
2005/0263666 A1 12/2005 Kim
2008/0156836 A1 7/2008 Wadsworth et al.
2009/0060473 A1 3/2009 Kohte et al.
2009/0179132 A1 7/2009 Qin et al.

FOREIGN PATENT DOCUMENTS

JP 2005142671 A 6/2005

* cited by examiner

Primary Examiner — Randall Gholson

(74) *Attorney, Agent, or Firm* — Abel Law Group, LLP; Chi Suk Kim

(57) **CLAIM**

The ornamental design for a viewing stand, as shown and described.

DESCRIPTION

FIG. 1 is a top perspective view of an embodiment of the viewing stand in an assembled configuration;

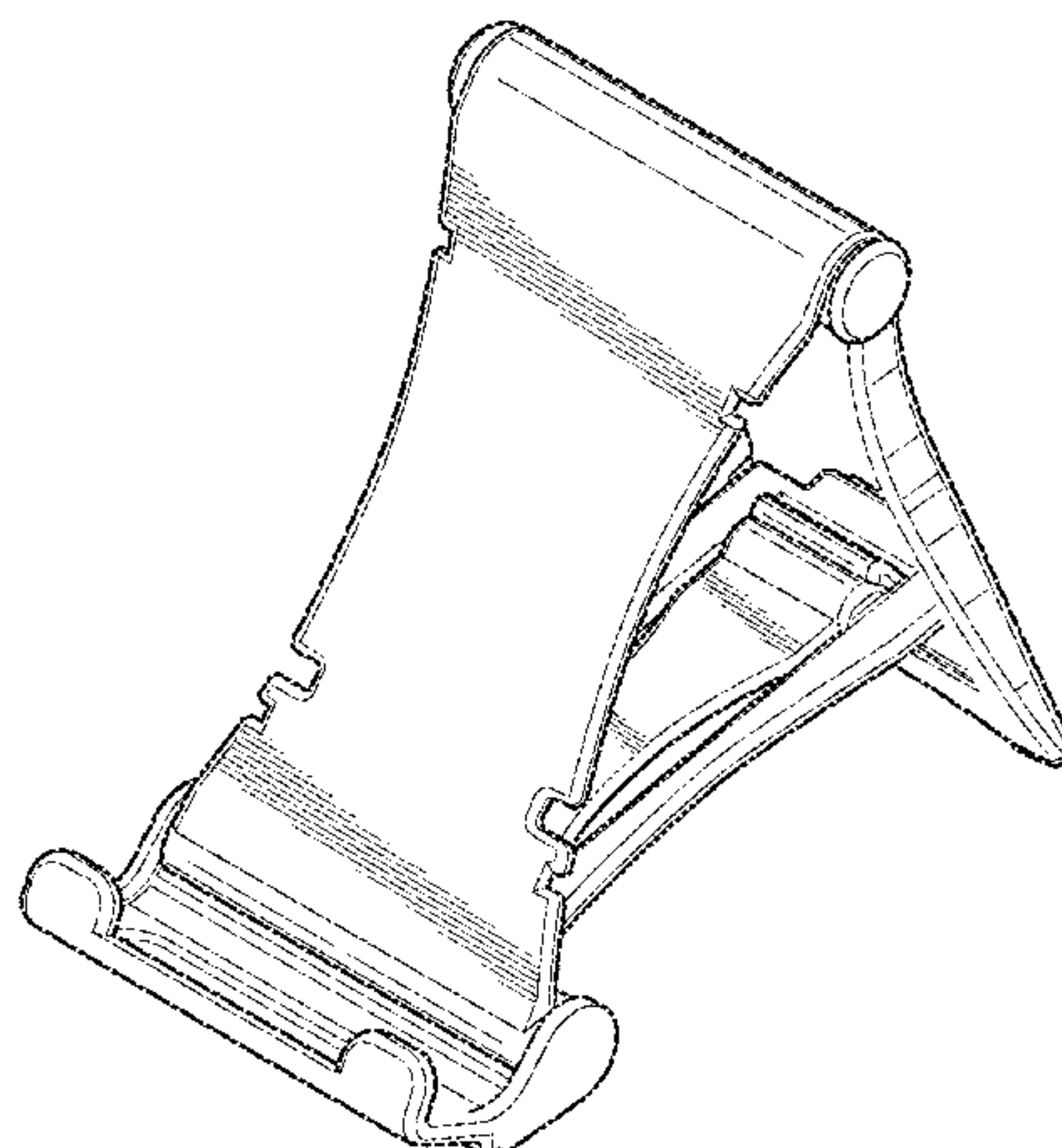


FIG. 2 is a bottom perspective view of the viewing stand of FIG. 1;
FIG. 3 is a front elevational view of the viewing stand of FIG. 1;
FIG. 4 is a rear elevational view of the viewing stand of FIG. 1;
FIG. 5 is a left side elevational view of the viewing stand of FIG. 1;
FIG. 6 is a right side elevational view of the viewing stand of FIG. 1;
FIG. 7 is a top plan view of the viewing stand of FIG. 1;
FIG. 8 is a bottom plan view of the viewing stand of FIG. 1;
FIG. 9 is a top perspective view of the viewing stand of FIG. 1 in a folded configuration;
FIG. 10 is a bottom perspective view of the viewing stand of FIG. 9;
FIG. 11 is a front elevational view of the viewing stand of FIG. 9;
FIG. 12 is a rear elevational view of the viewing stand of FIG. 9;
FIG. 13 is a left side elevational view of the viewing stand of FIG. 9;

FIG. 14 is a right side elevational view of the viewing stand of FIG. 9;
FIG. 15 is a top plan view of the viewing stand of FIG. 9;
FIG. 16 is a bottom plan view of the viewing stand of FIG. 9;
FIG. 17 is a top perspective view of the viewing stand of FIG. 1 in a keyboard configuration;
FIG. 18 is a bottom perspective view of the viewing stand of FIG. 17;
FIG. 19 is a front elevational view of the viewing stand of FIG. 17;
FIG. 20 is a rear elevational view of the viewing stand of FIG. 17;
FIG. 21 is a left side elevational view of the viewing stand of FIG. 17;
FIG. 22 is a right side elevational view of the viewing stand of FIG. 17;
FIG. 23 is a top plan view of the viewing stand of FIG. 17;
and,
FIG. 24 is a bottom plan view of the viewing stand of FIG. 17.

1 Claim, 19 Drawing Sheets

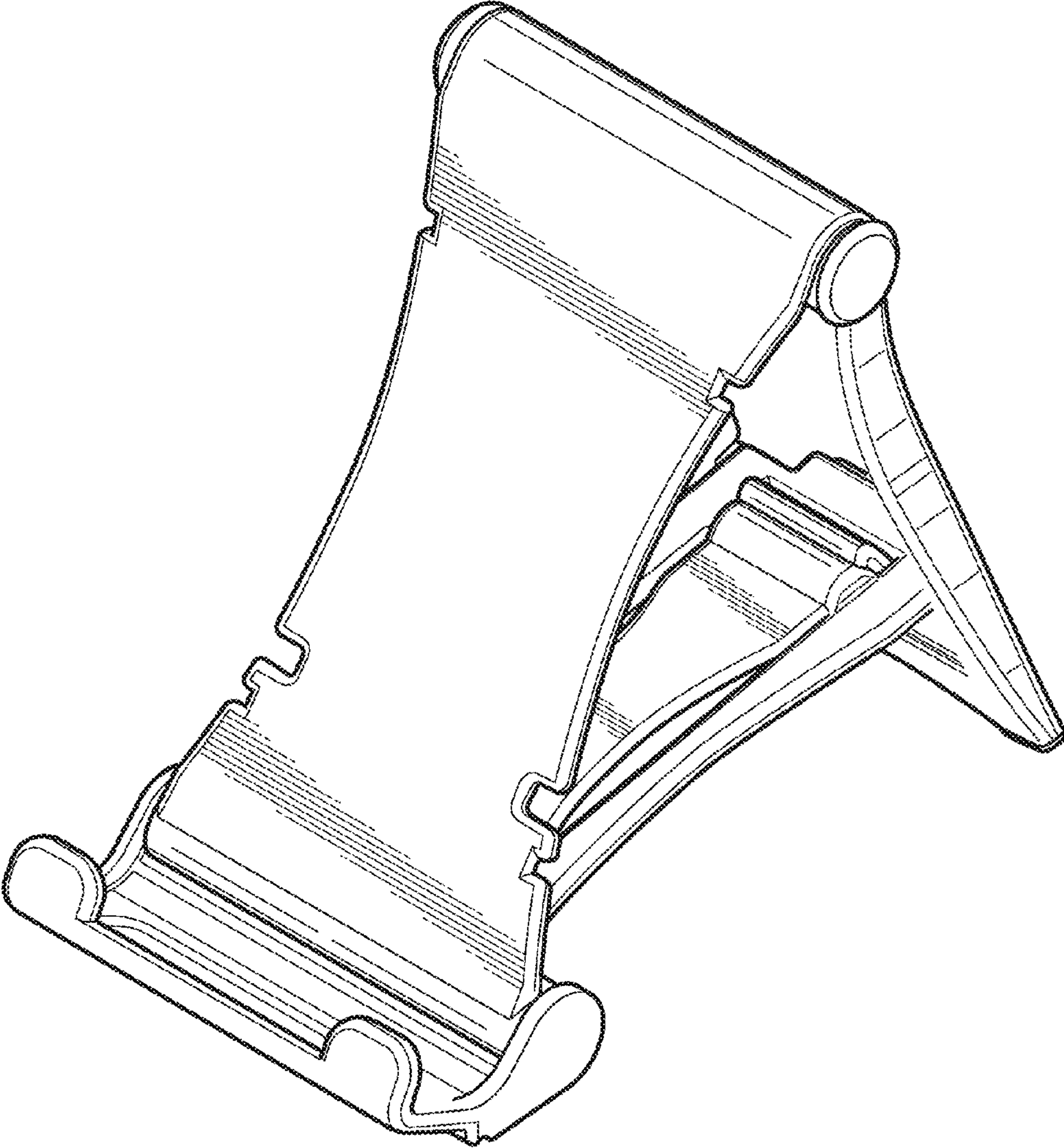


FIG. 1

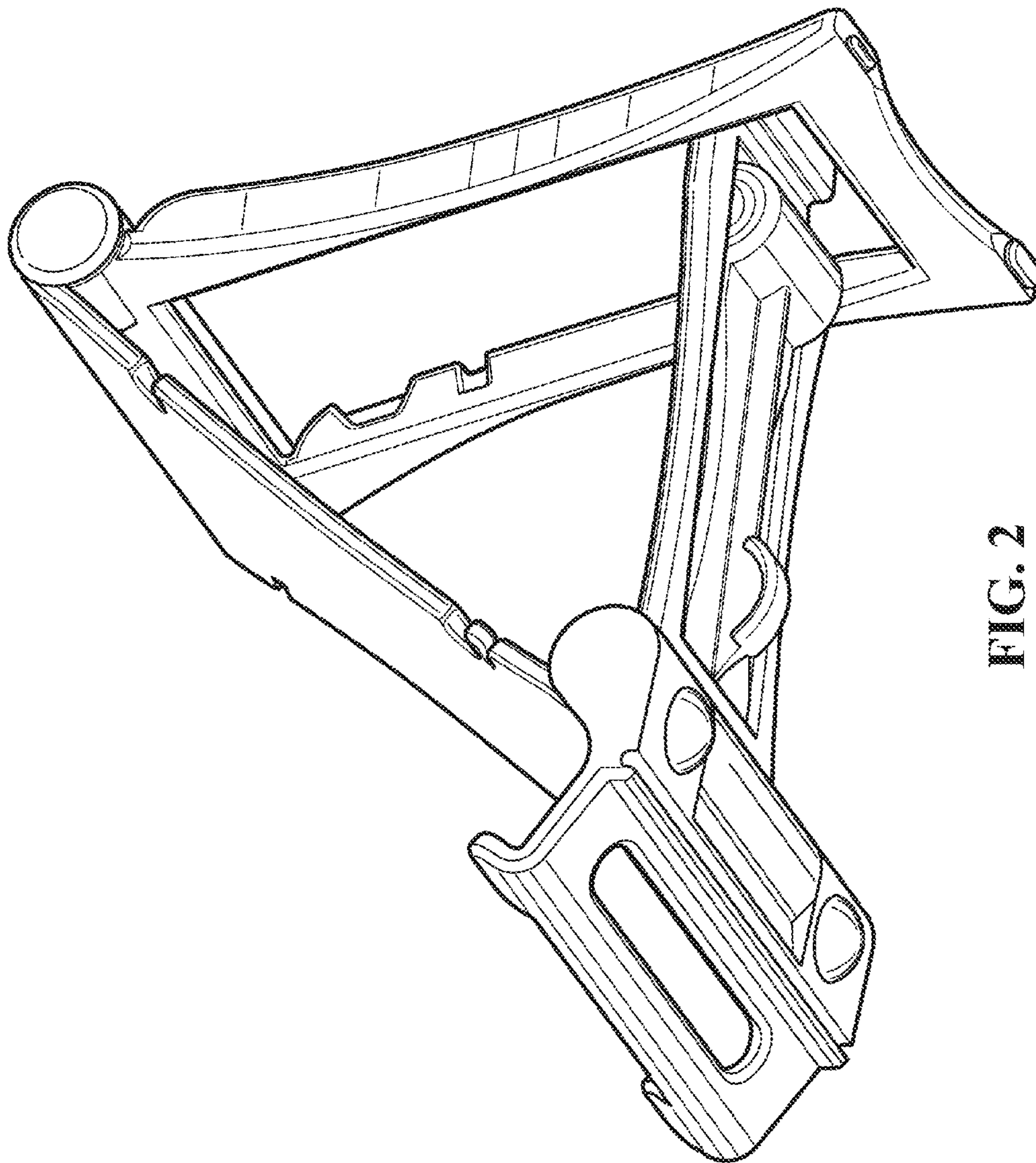


FIG. 2

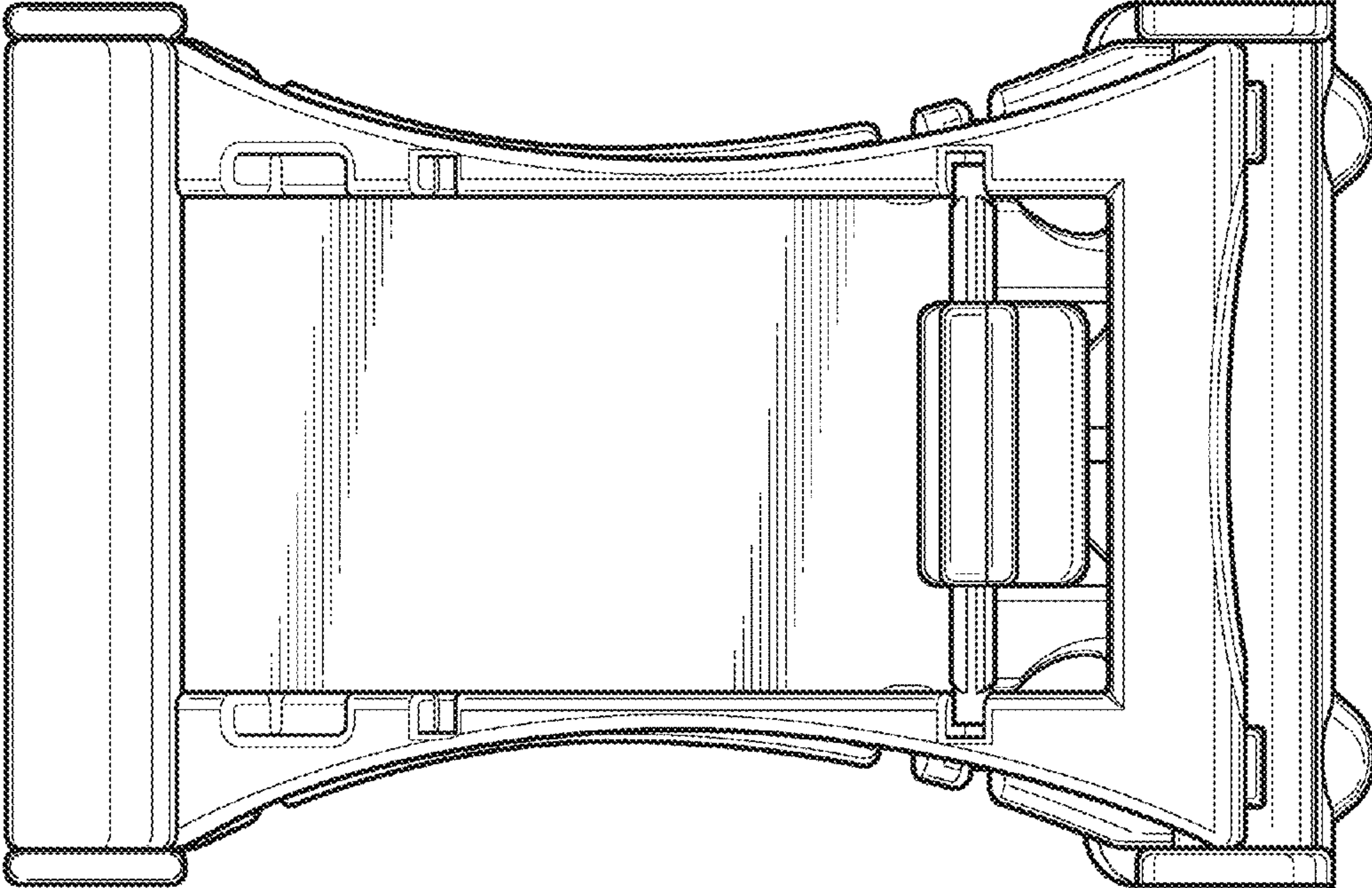


FIG. 4

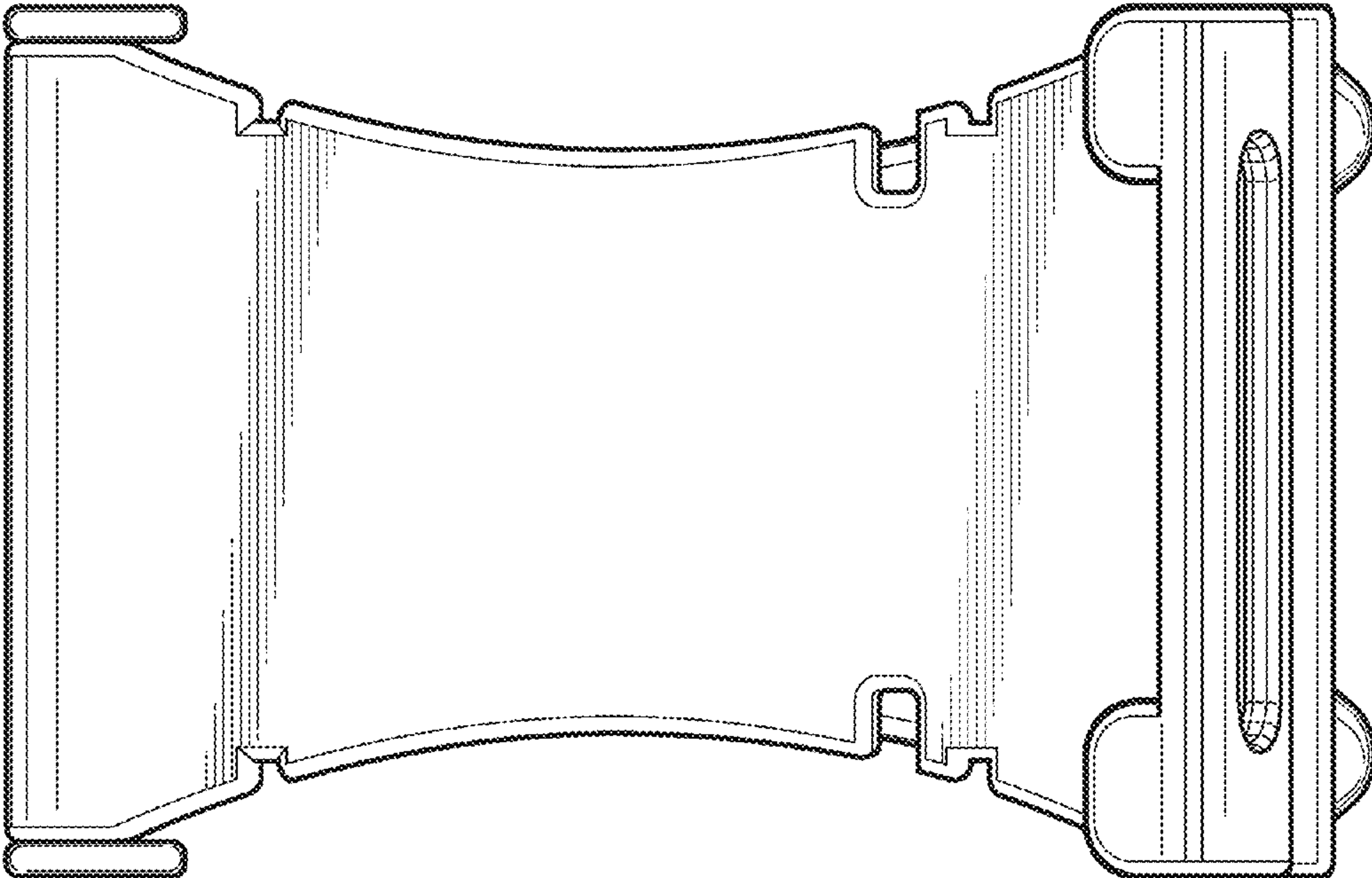


FIG. 3

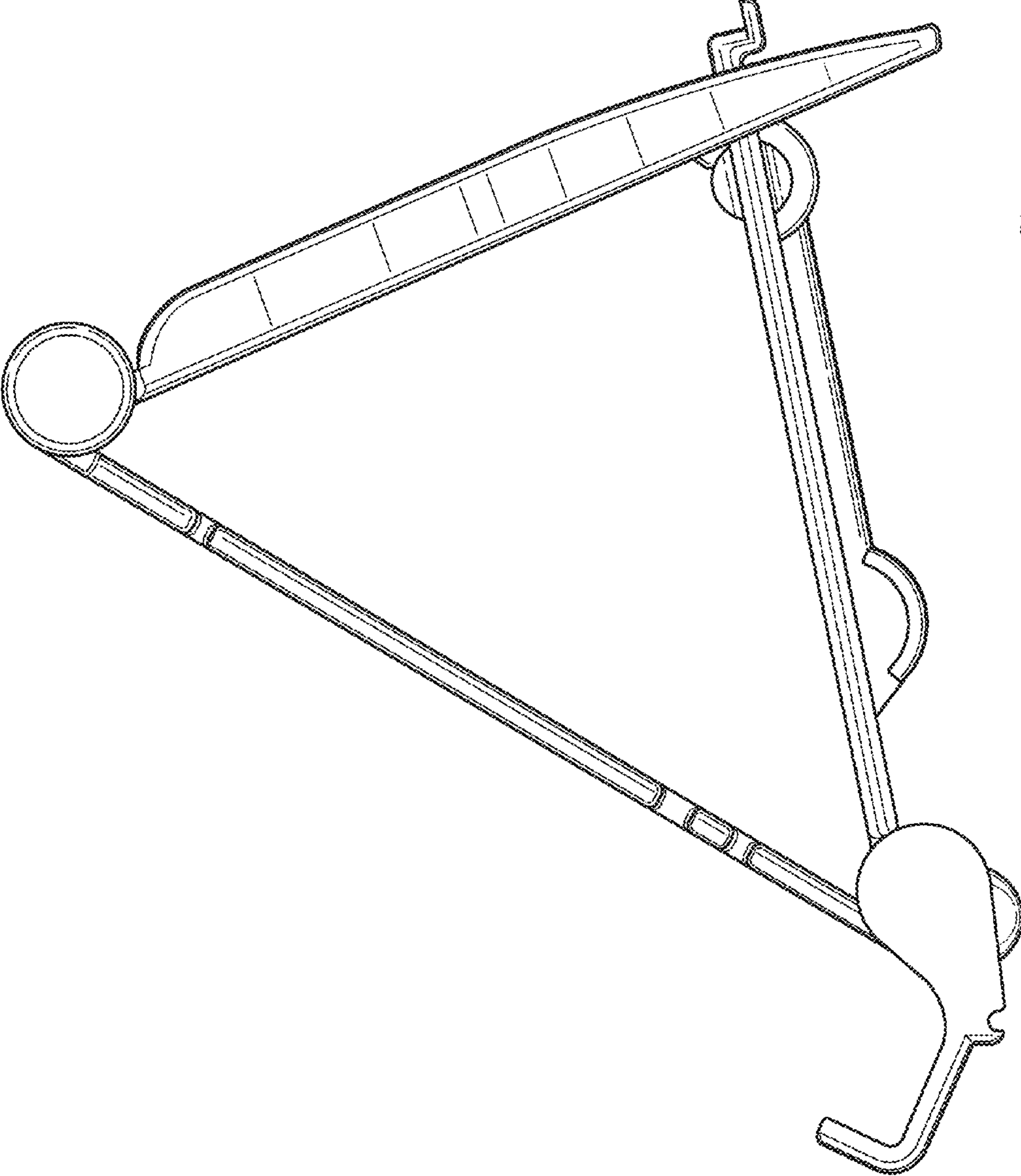


FIG. 5

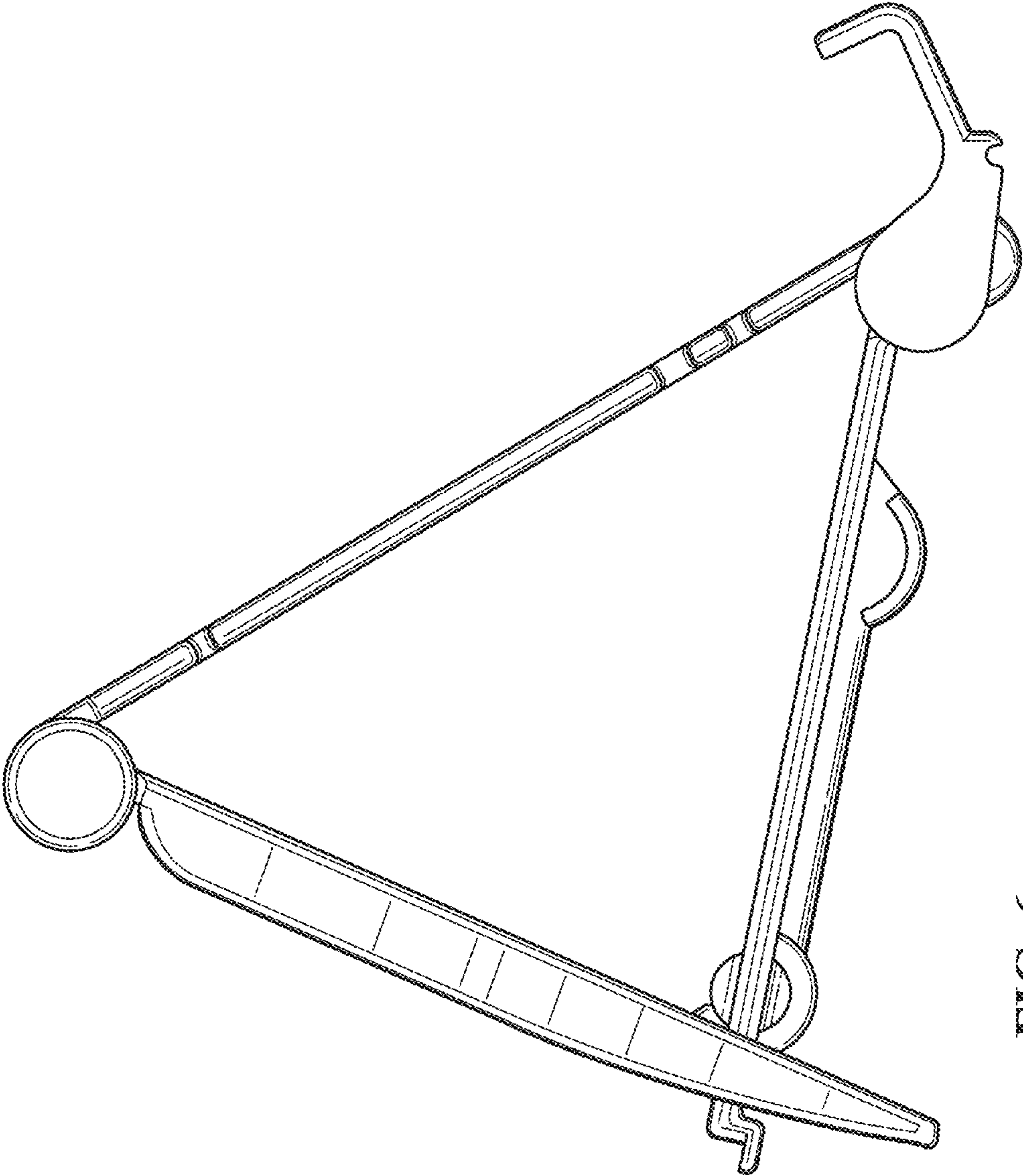


FIG. 6

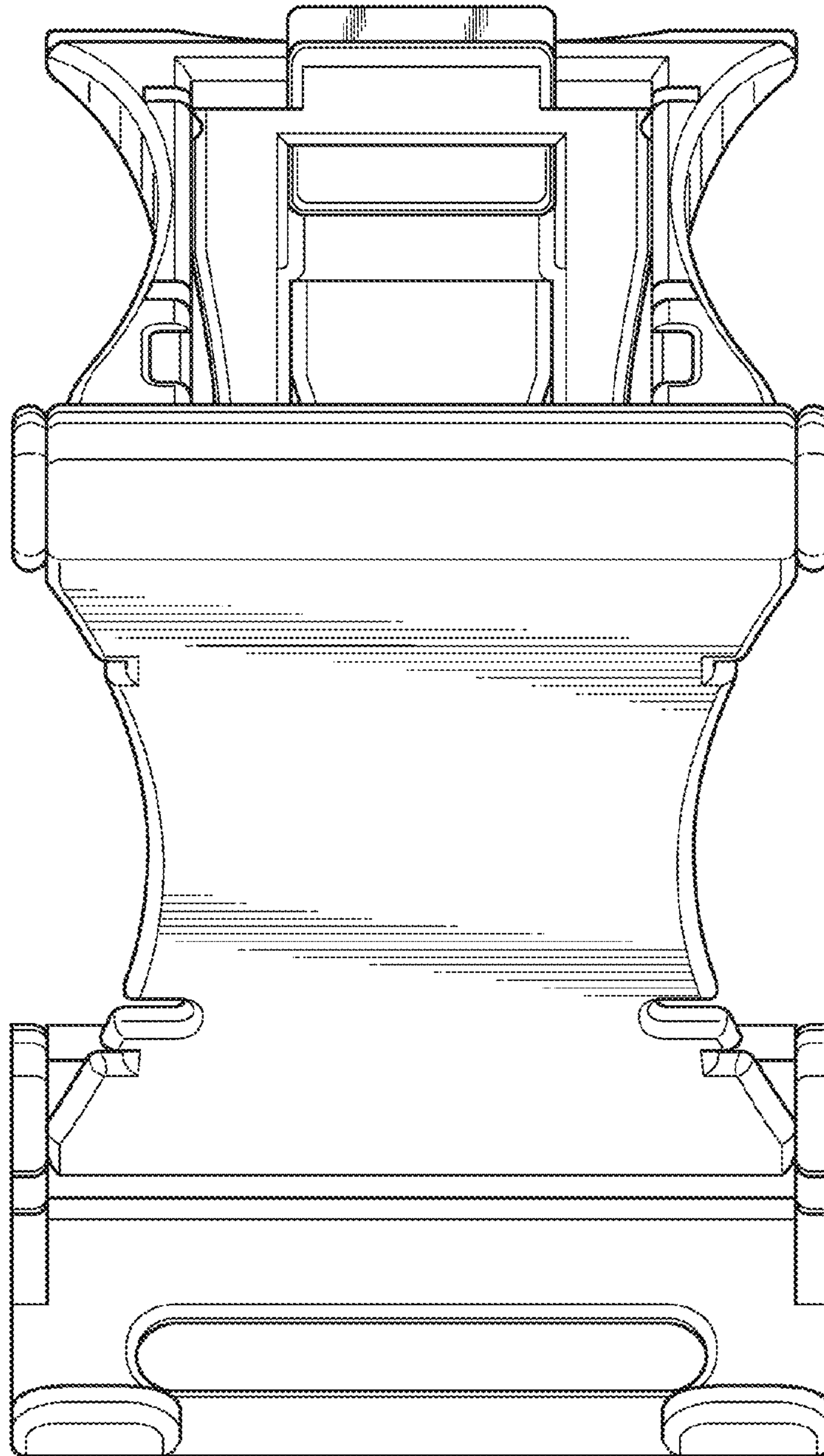


FIG. 7

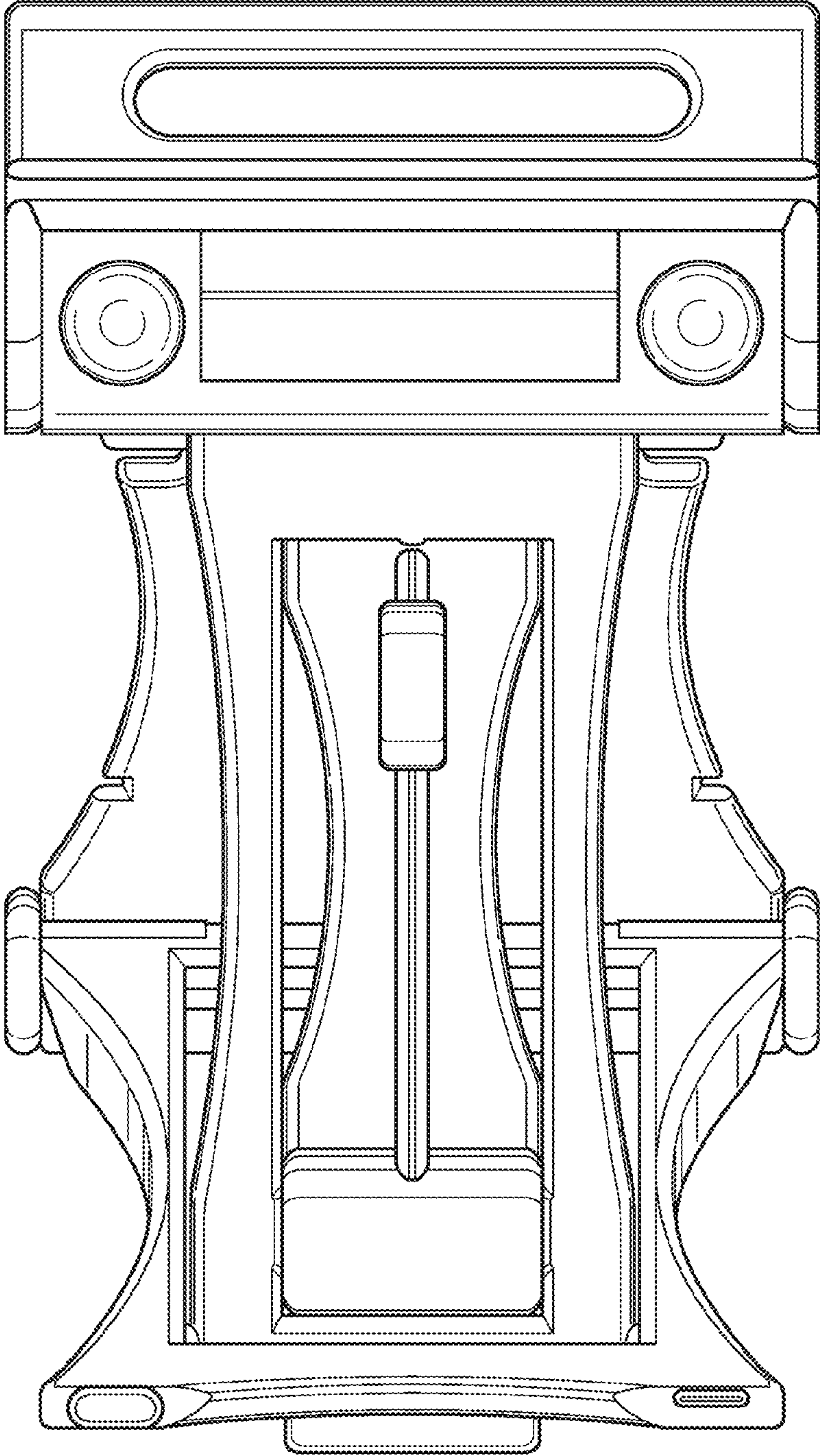


FIG. 8

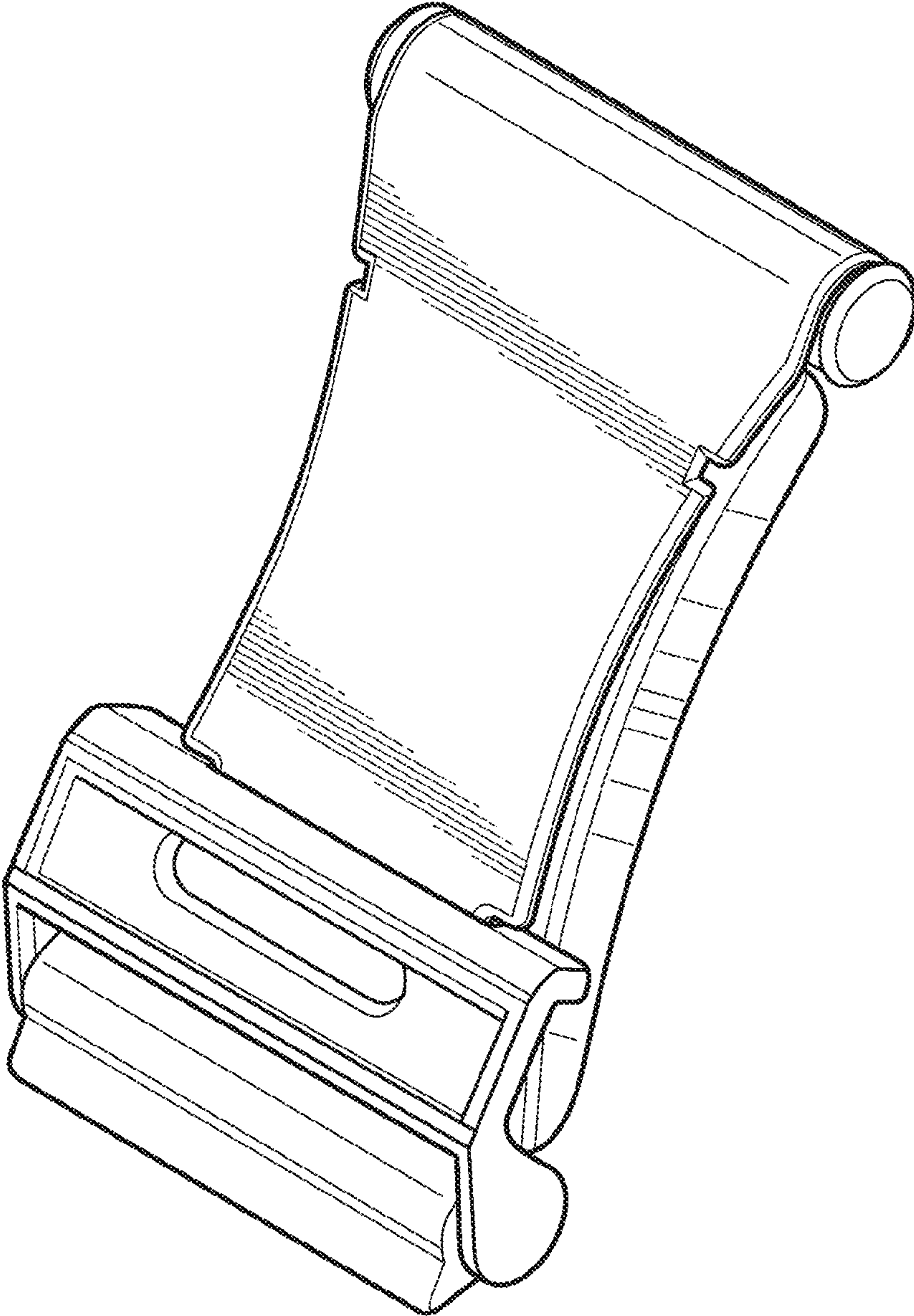


FIG. 9

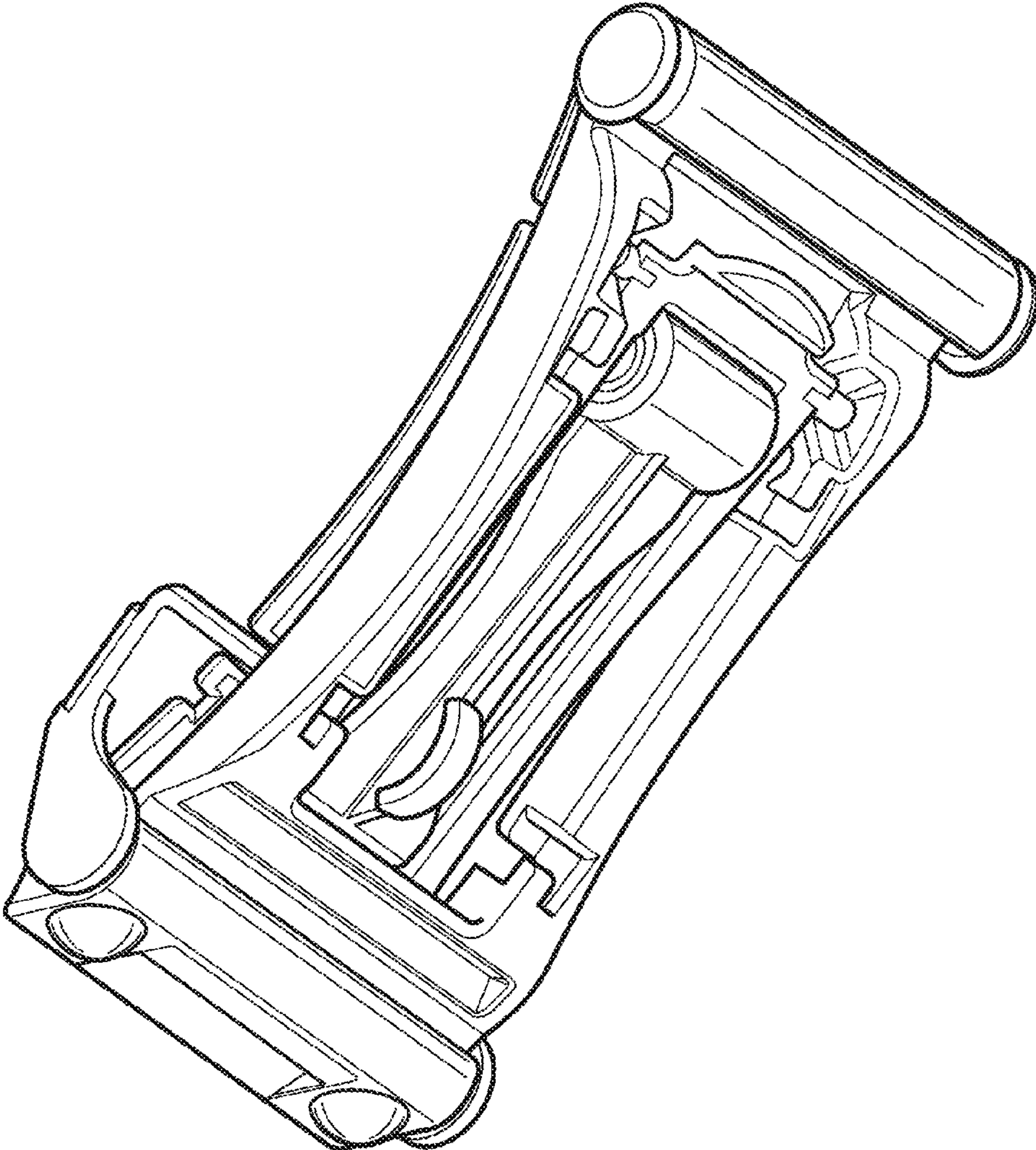


FIG. 10

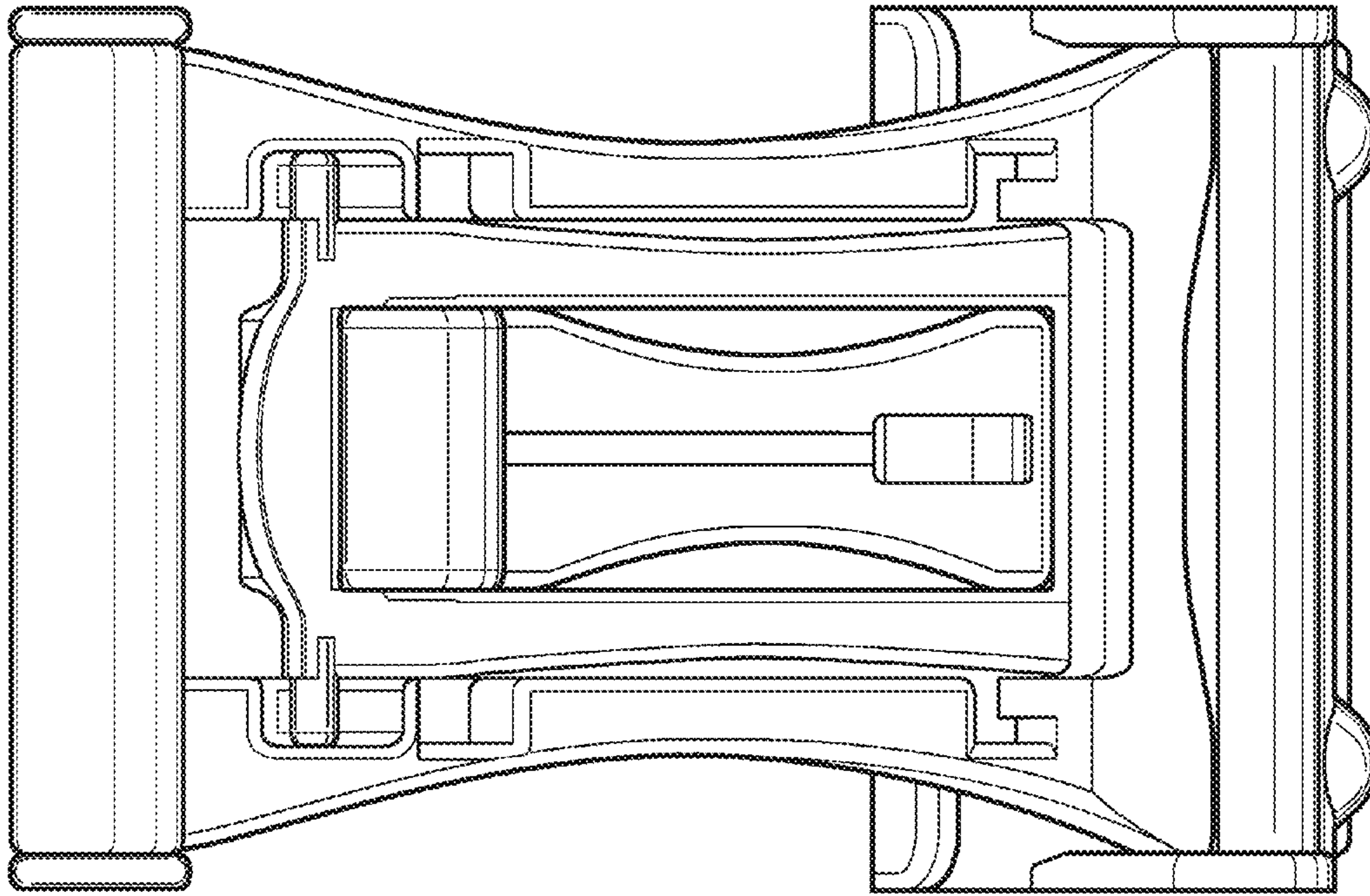


FIG. 11

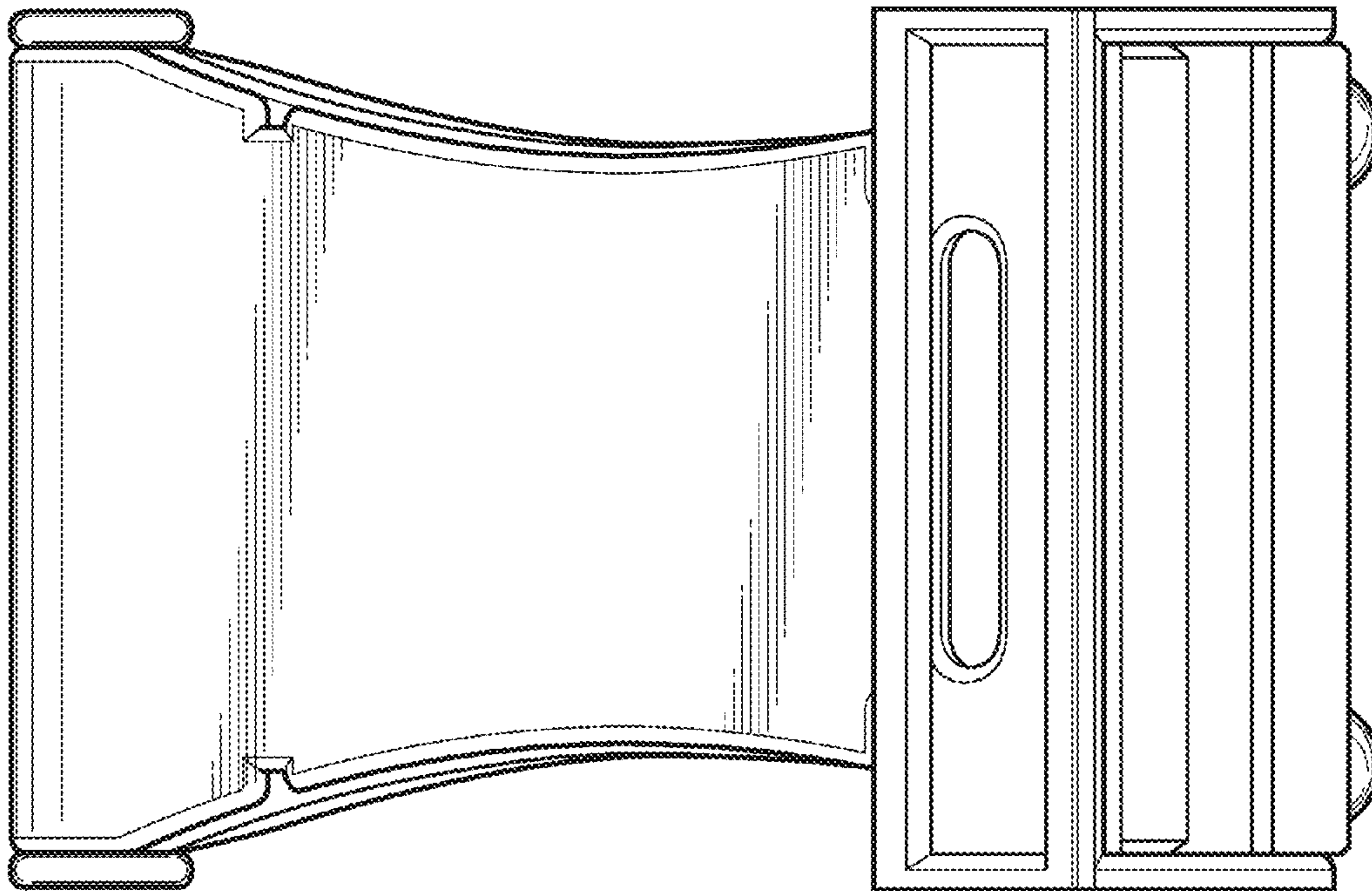


FIG. 12

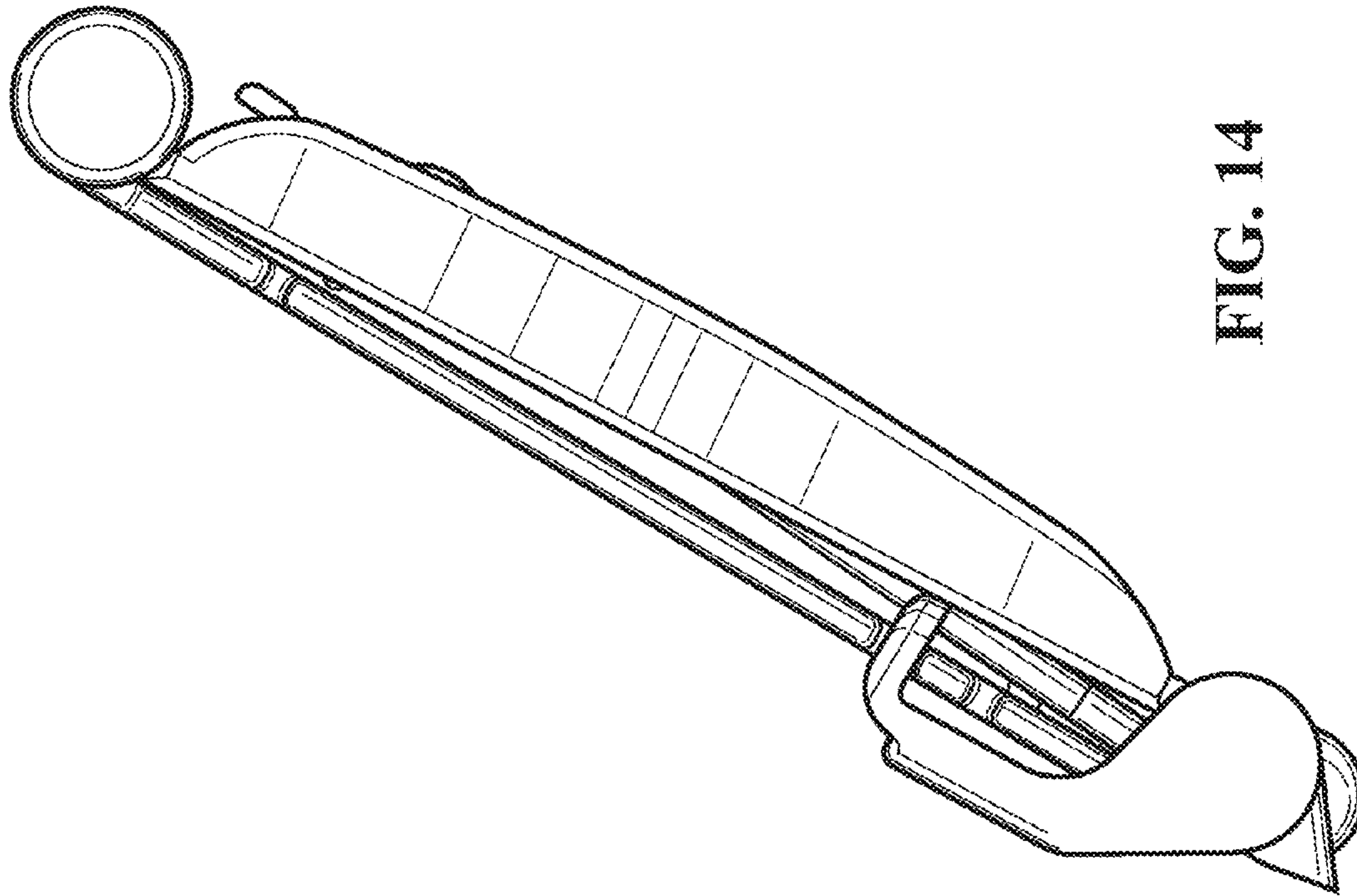


FIG. 14

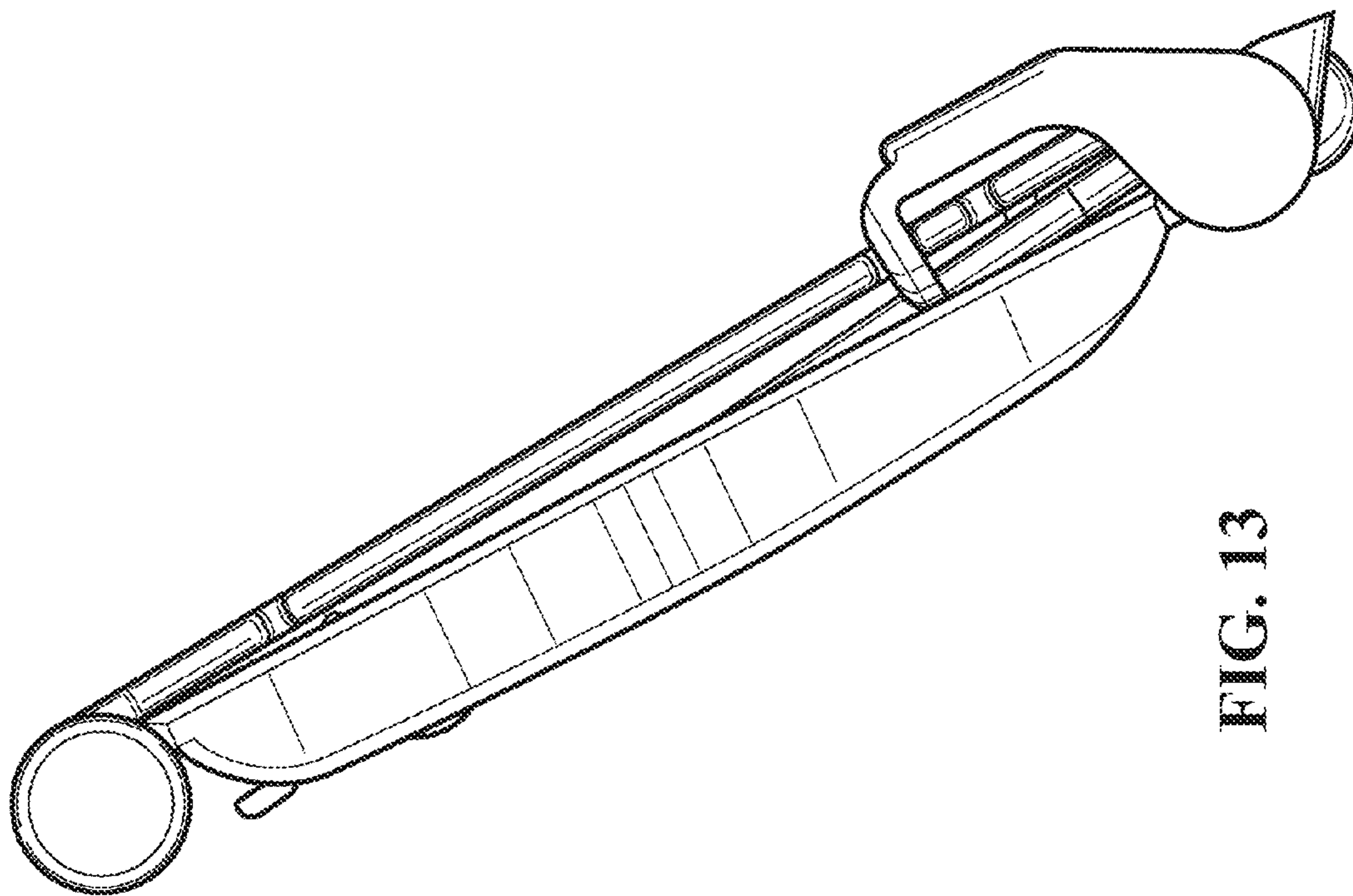


FIG. 13

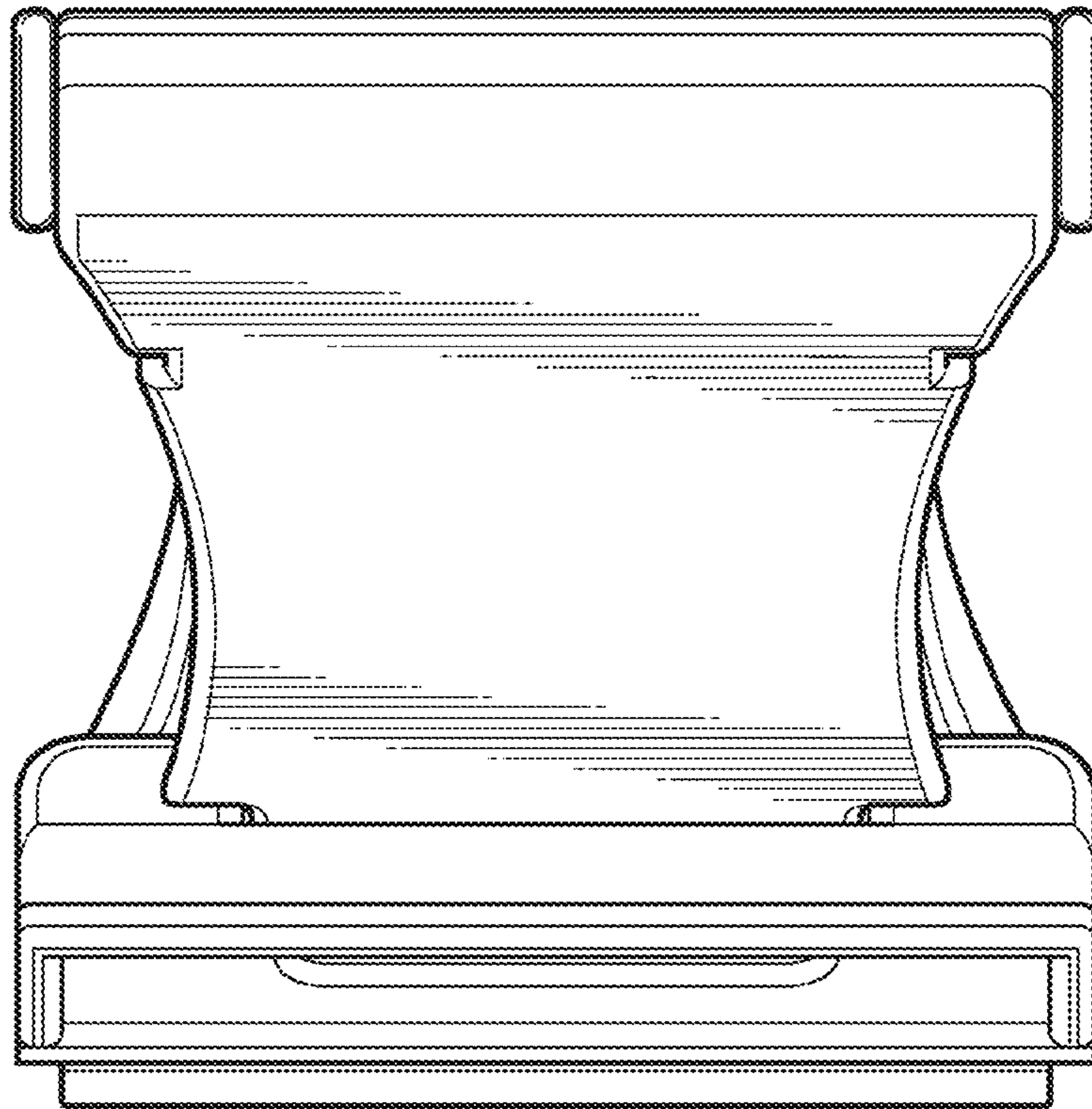


FIG. 15

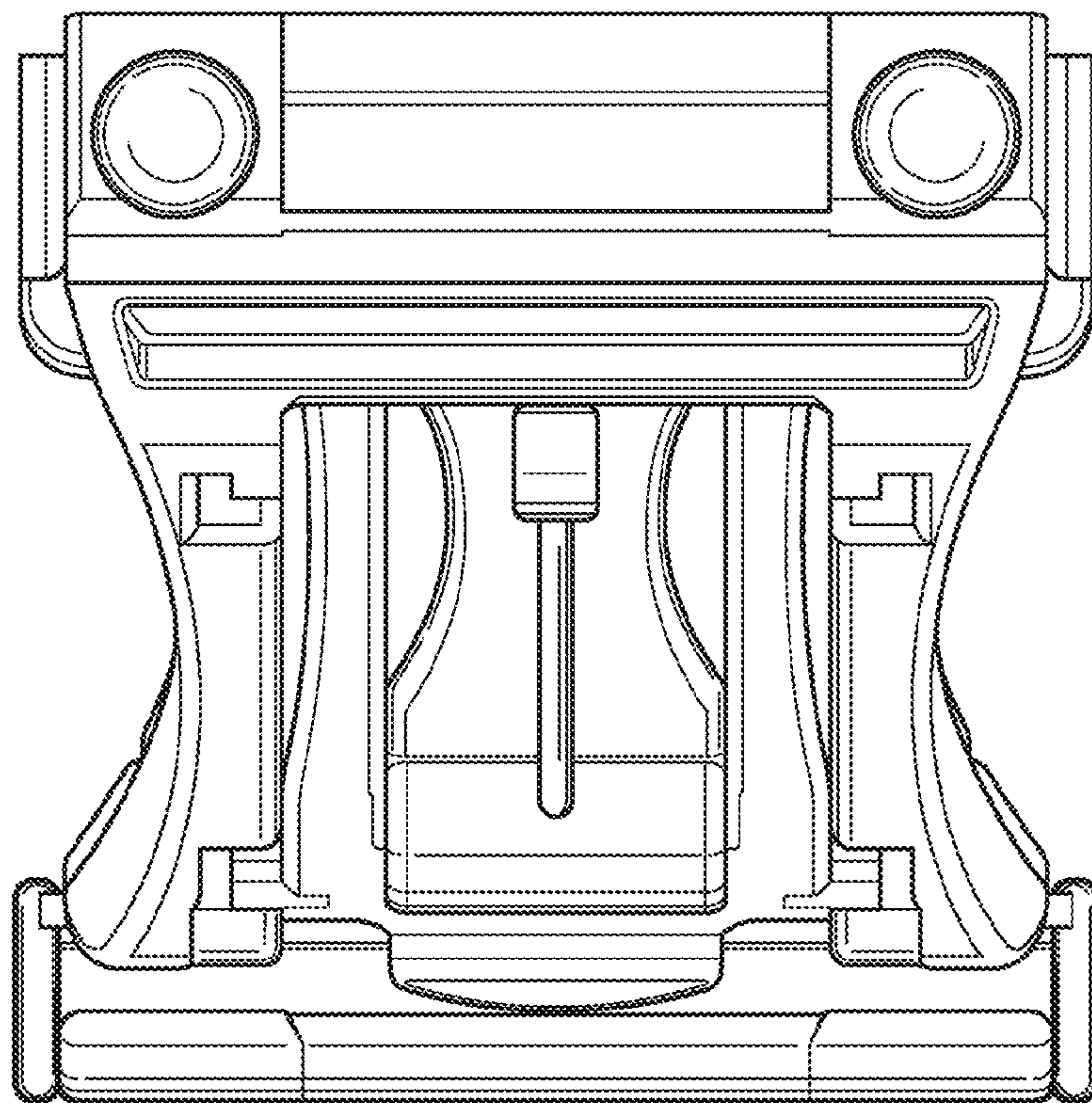


FIG. 16

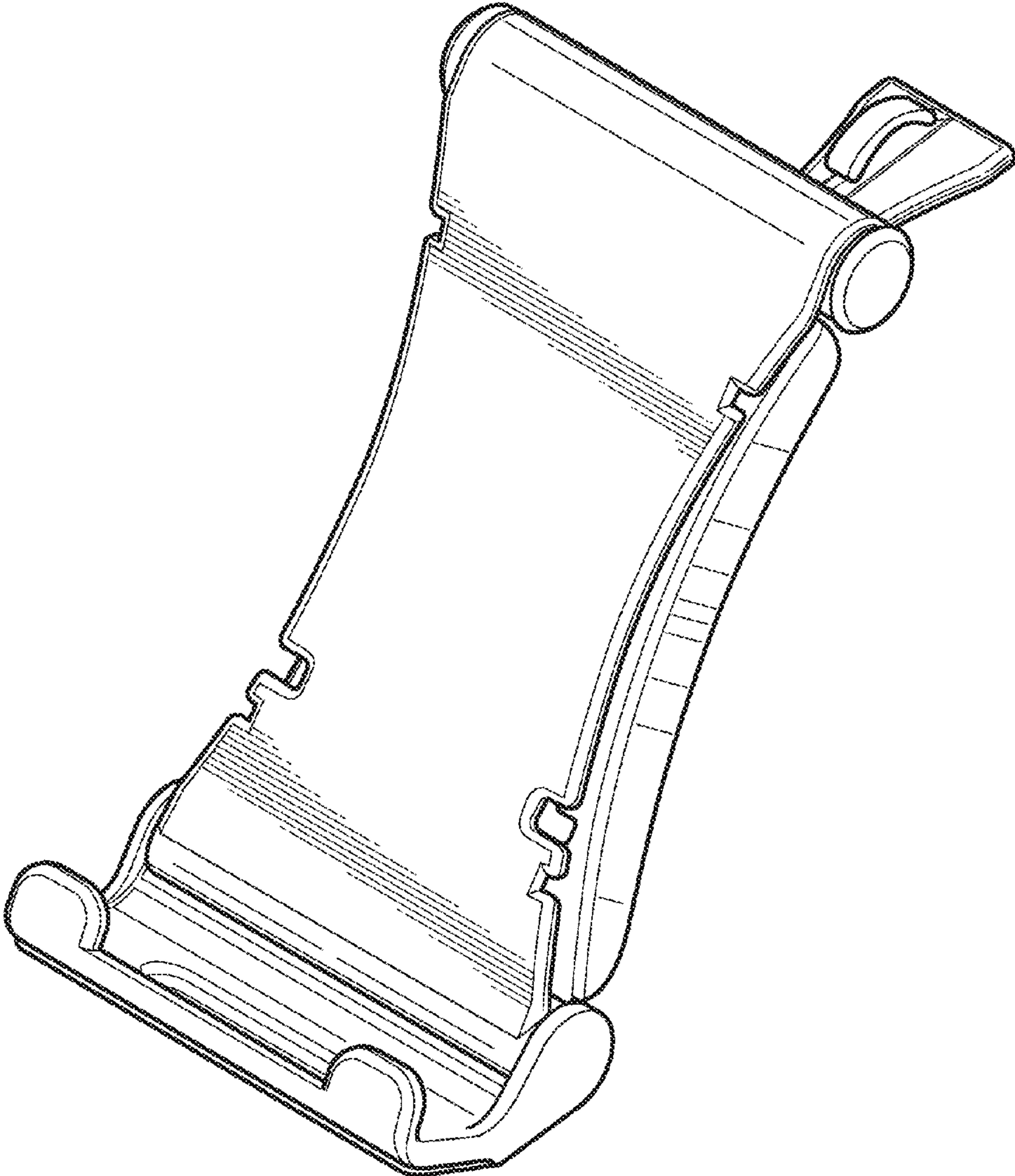


FIG. 17

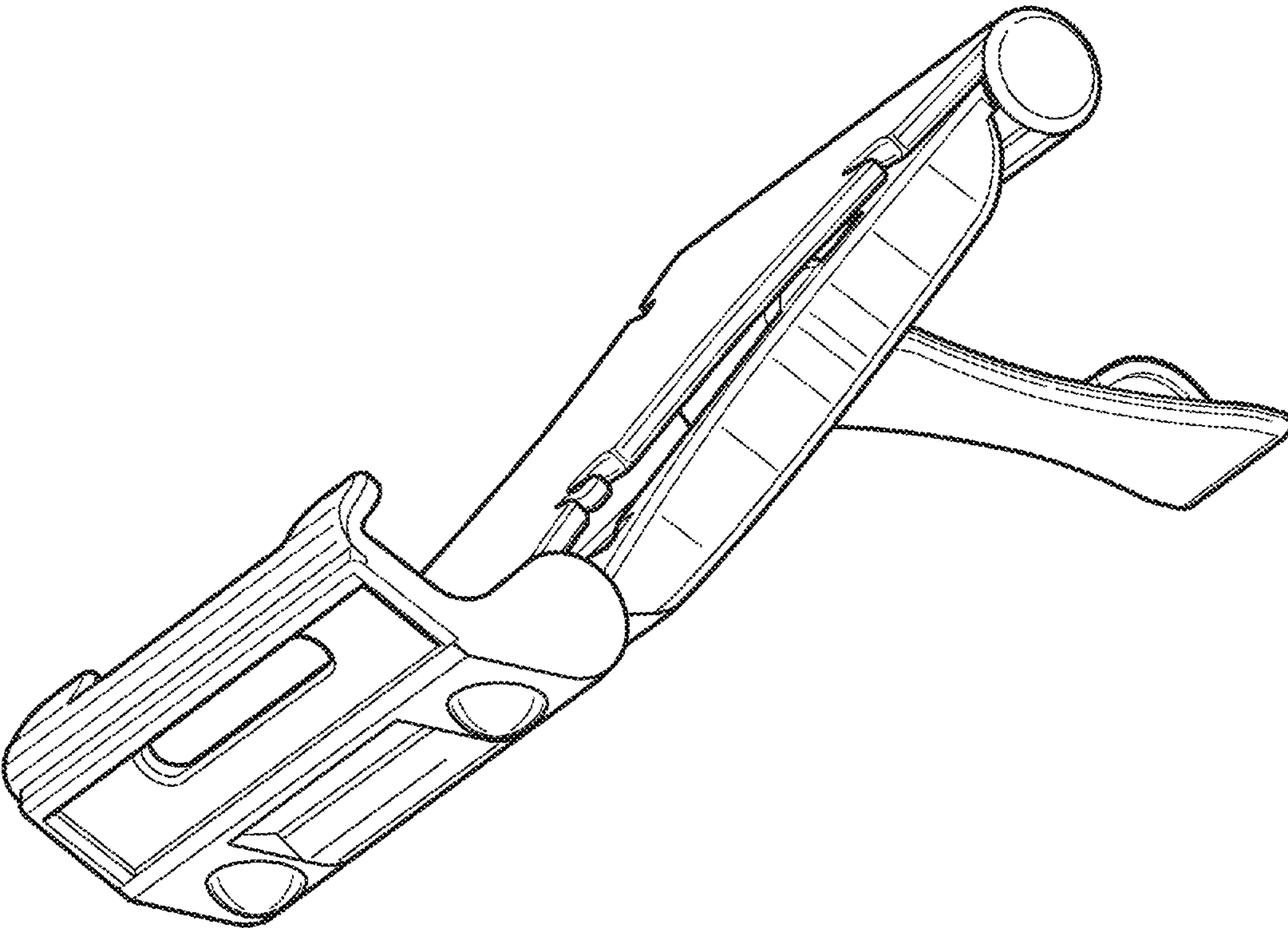


FIG. 18

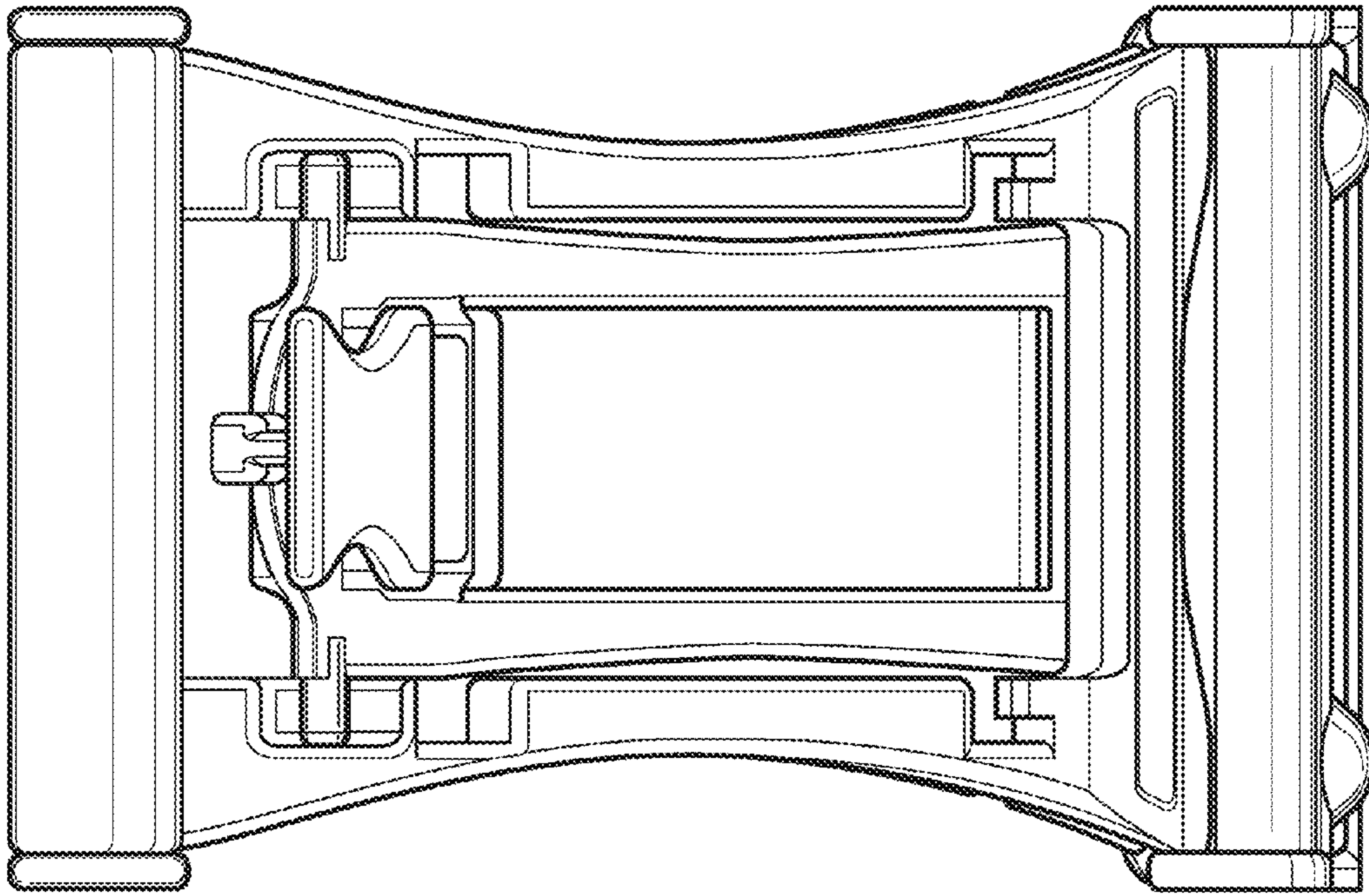


FIG. 20

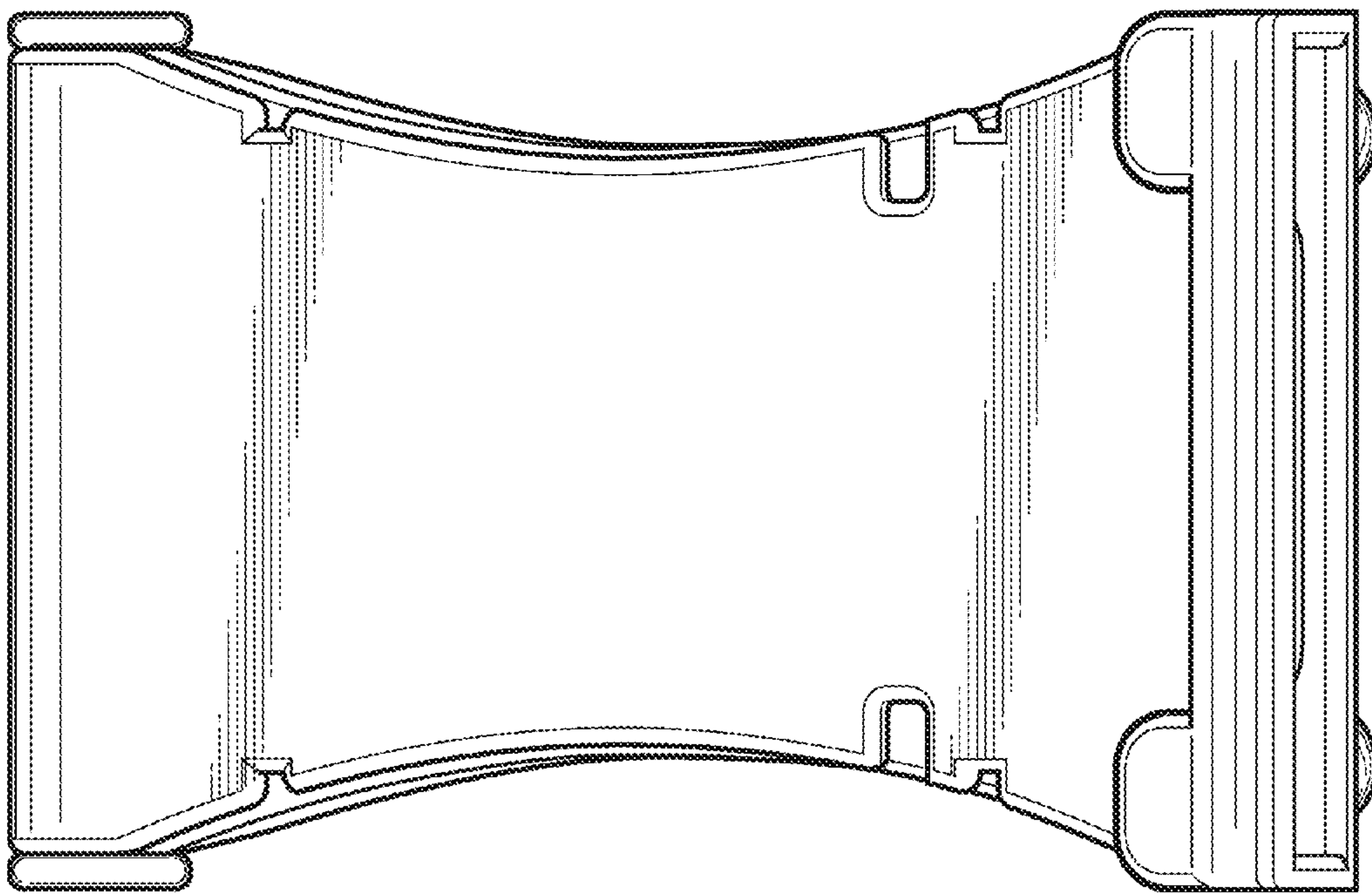


FIG. 19

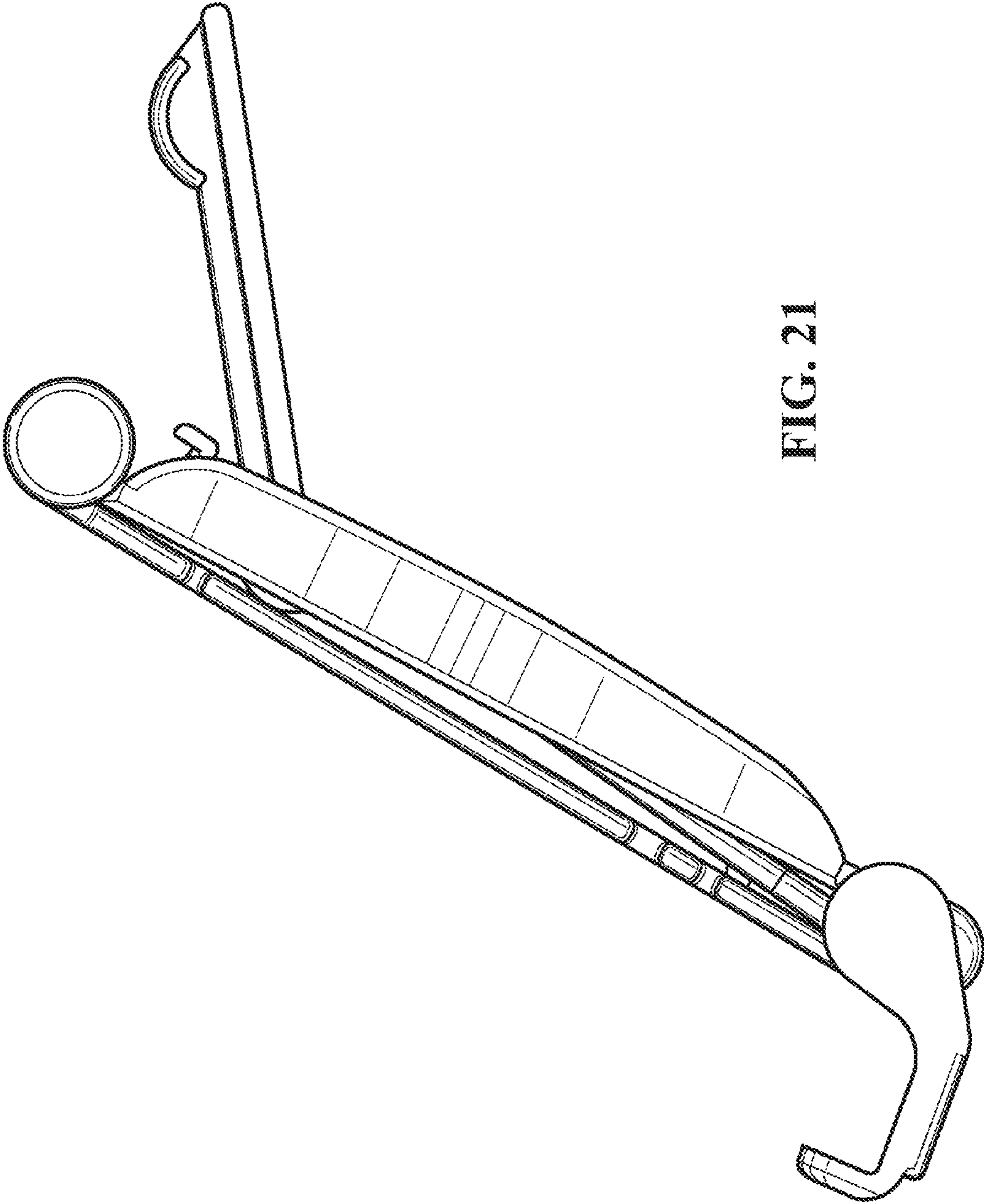


FIG. 21

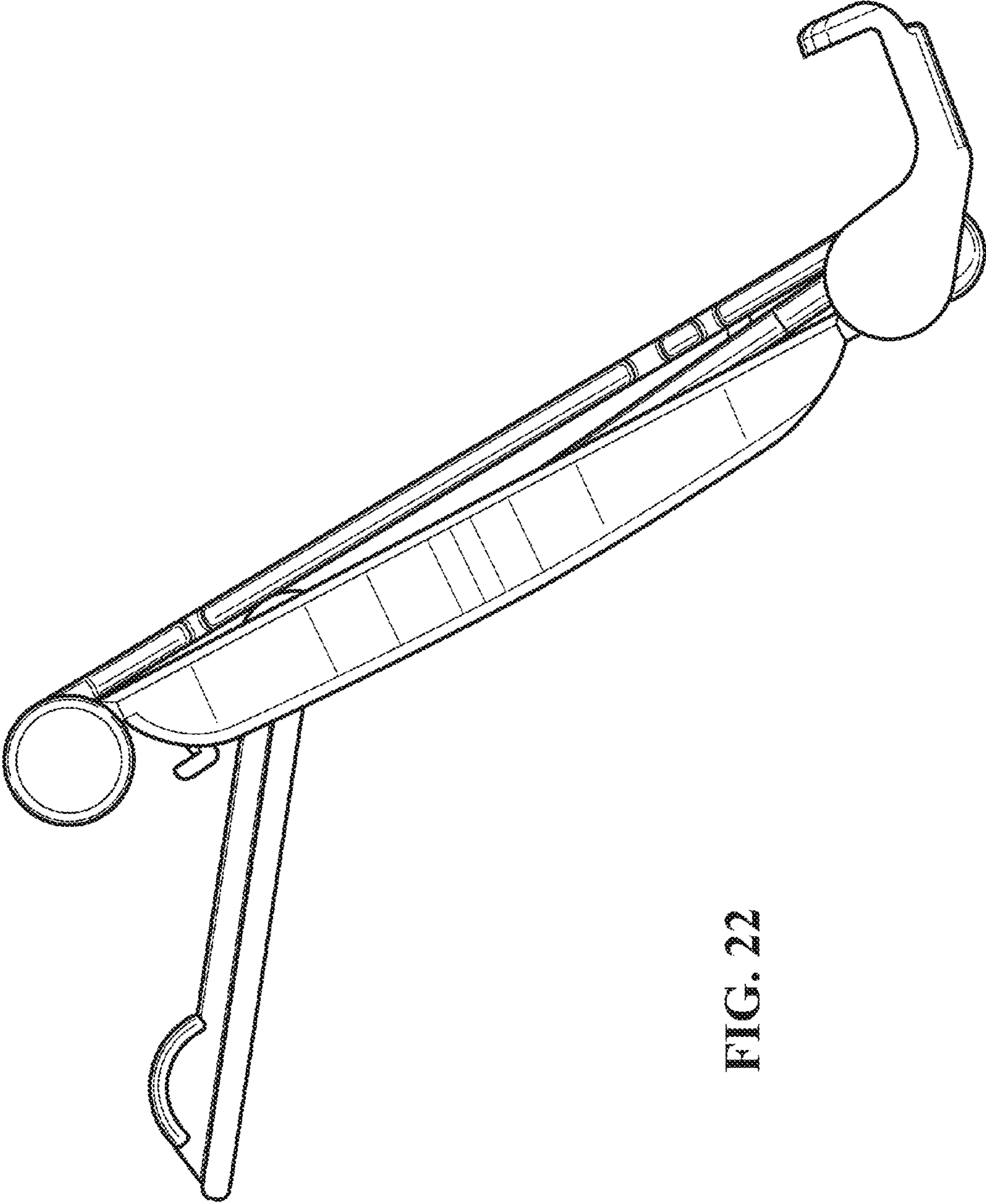


FIG. 22

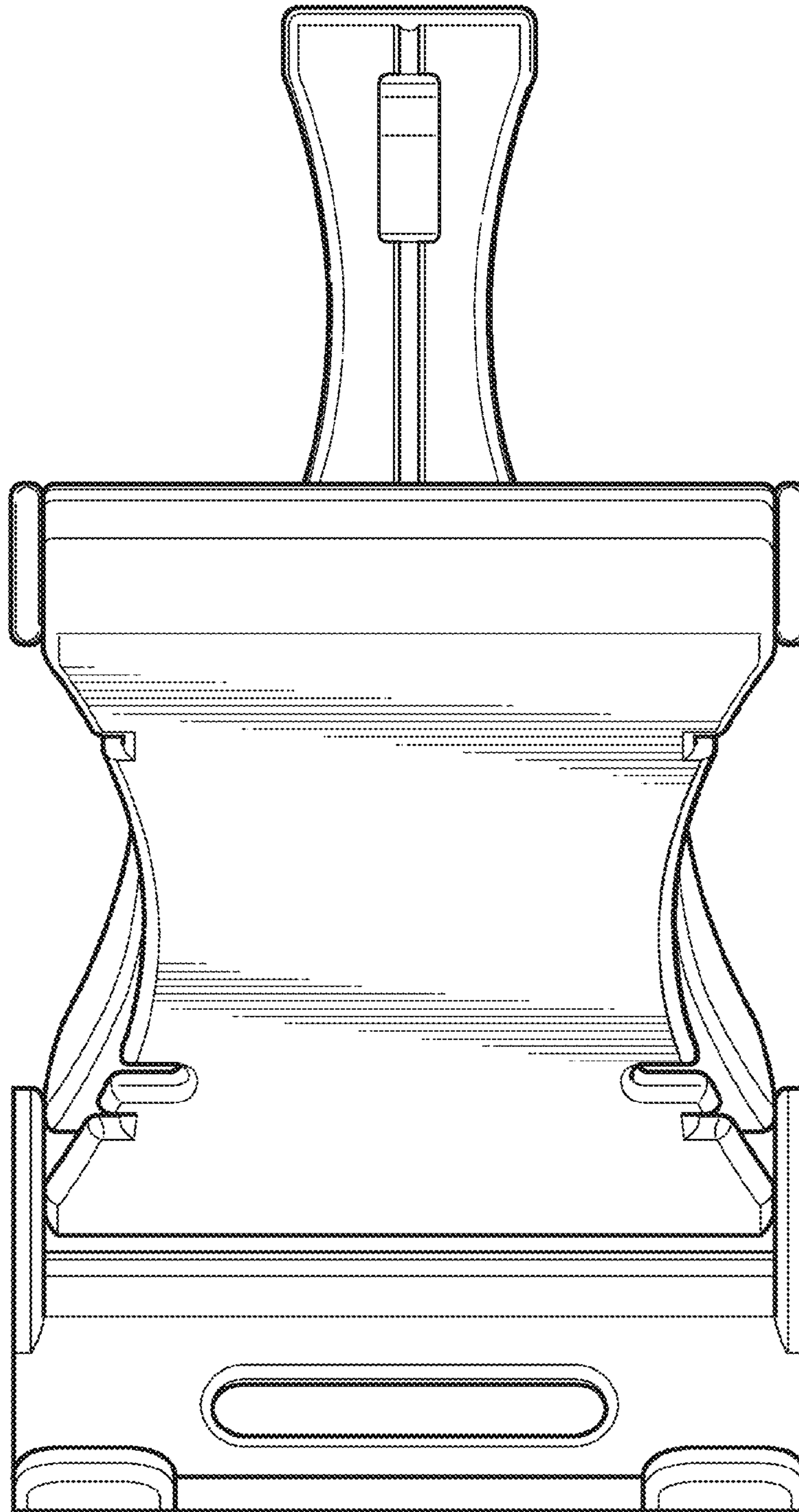


FIG. 23

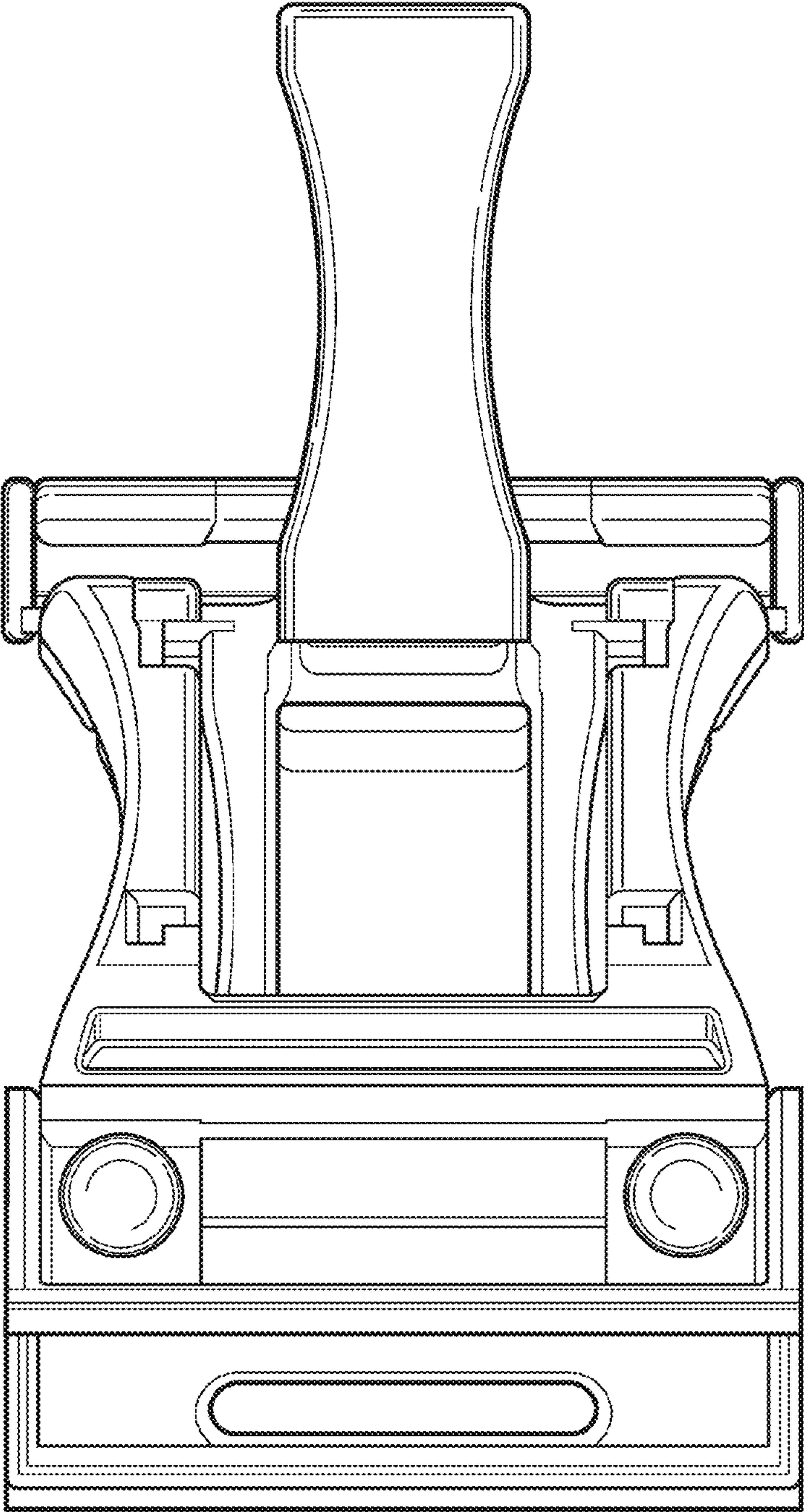


FIG. 24