



US00D703658S

(12) **United States Design Patent**  
**Higashi**

(10) **Patent No.:** **US D703,658 S**

(45) **Date of Patent:** **\*\* Apr. 29, 2014**

(54) **PORTABLE STAND**

*Primary Examiner* — Randall Gholson

(74) *Attorney, Agent, or Firm* — Booth Udall Fuller PLC

(76) Inventor: **Jeffrey A. Higashi**, Torrance, CA (US)

(57) **CLAIM**

The ornamental design for a portable stand, as shown and described.

(\*\*) Term: **14 Years**

(21) Appl. No.: **29/403,925**

**DESCRIPTION**

(22) Filed: **Oct. 12, 2011**

(51) **LOC (10) Cl.** ..... **14-03**

(52) **U.S. Cl.**

USPC ..... **D14/253**

(58) **Field of Classification Search**

USPC ..... D14/447, 432, 433, 434, 439, 448, 451,  
D14/452, 217, 239, 250, 251, 253, 238.1;  
D13/107, 108; D21/333; D6/300, 310,  
D6/311, 312, 406.1, 406.2, 406.3, 406.4,  
D6/406.5, 406.6, 419; D8/363, 373, 380;  
281/21.1; 40/124.01, 124.4; 248/174,  
248/447, 455, 456, 461, 463, 465

See application file for complete search history.

(56) **References Cited**

**U.S. PATENT DOCUMENTS**

D466,556 S *	12/2002	Rosado	.....	D19/90
6,758,333 B2 *	7/2004	Sherman	.....	206/308.1
D558,192 S *	12/2007	Daly et al.	.....	D14/251
7,527,235 B2 *	5/2009	Hummel	.....	248/459
D622,274 S *	8/2010	Green	.....	D14/447
D626,559 S *	11/2010	Green	.....	D14/447
D626,964 S *	11/2010	Richardson et al.	.....	D14/447
D630,425 S *	1/2011	Olaverri et al.	.....	D2/976
D635,191 S *	3/2011	Cheetwood	.....	D19/91
8,100,376 B2 *	1/2012	Ye	.....	248/454
D655,470 S *	3/2012	Best et al.	.....	D32/52
D659,696 S *	5/2012	Lanza	.....	D14/447
8,424,829 B2 *	4/2013	Lu et al.	.....	248/371

\* cited by examiner

FIG. 1 is a front view of the present invention in a flat position, the back side view being a mirror image thereof;  
 FIG. 2 is a top view of the present invention of FIG. 1 in a flat position, the bottom view being a mirror image thereof;  
 FIG. 3 is a right side view of the present invention of FIG. 1 in a flat position, the left side view being a mirror image thereof;  
 FIG. 4 is a perspective view of the present invention of FIG. 1 in a flat position;  
 FIG. 5 is a front view of an alternate embodiment of the present invention in a flat position, the back side view being a mirror image thereof;  
 FIG. 6 is a top view of the alternate embodiment of the present invention of FIG. 5 in a flat position, the bottom view being a mirror image thereof;  
 FIG. 7 is a right side view of the alternate embodiment of the present invention of FIG. 5 in a flat position, the left side view being a mirror image thereof;  
 FIG. 8 is a perspective view of the alternate embodiment of the present invention of FIG. 5 in a flat position;  
 FIG. 9 is a front view of a second alternate embodiment of the present invention in a flat position, the back side view being a mirror image thereof;  
 FIG. 10 is a top view of the second alternate embodiment of the present invention of FIG. 9 in a flat position, the bottom view being a mirror image thereof;  
 FIG. 11 is a right side view of the second alternate embodiment of the present invention of FIG. 9 in a flat position, the left side view being a mirror image thereof;  
 FIG. 12 is a perspective view of the second alternate embodiment of the present invention of FIG. 9 in a flat position;  
 FIG. 13 is a front view of the present invention of FIG. 1 in an arched position, the back side view being a mirror image thereof;

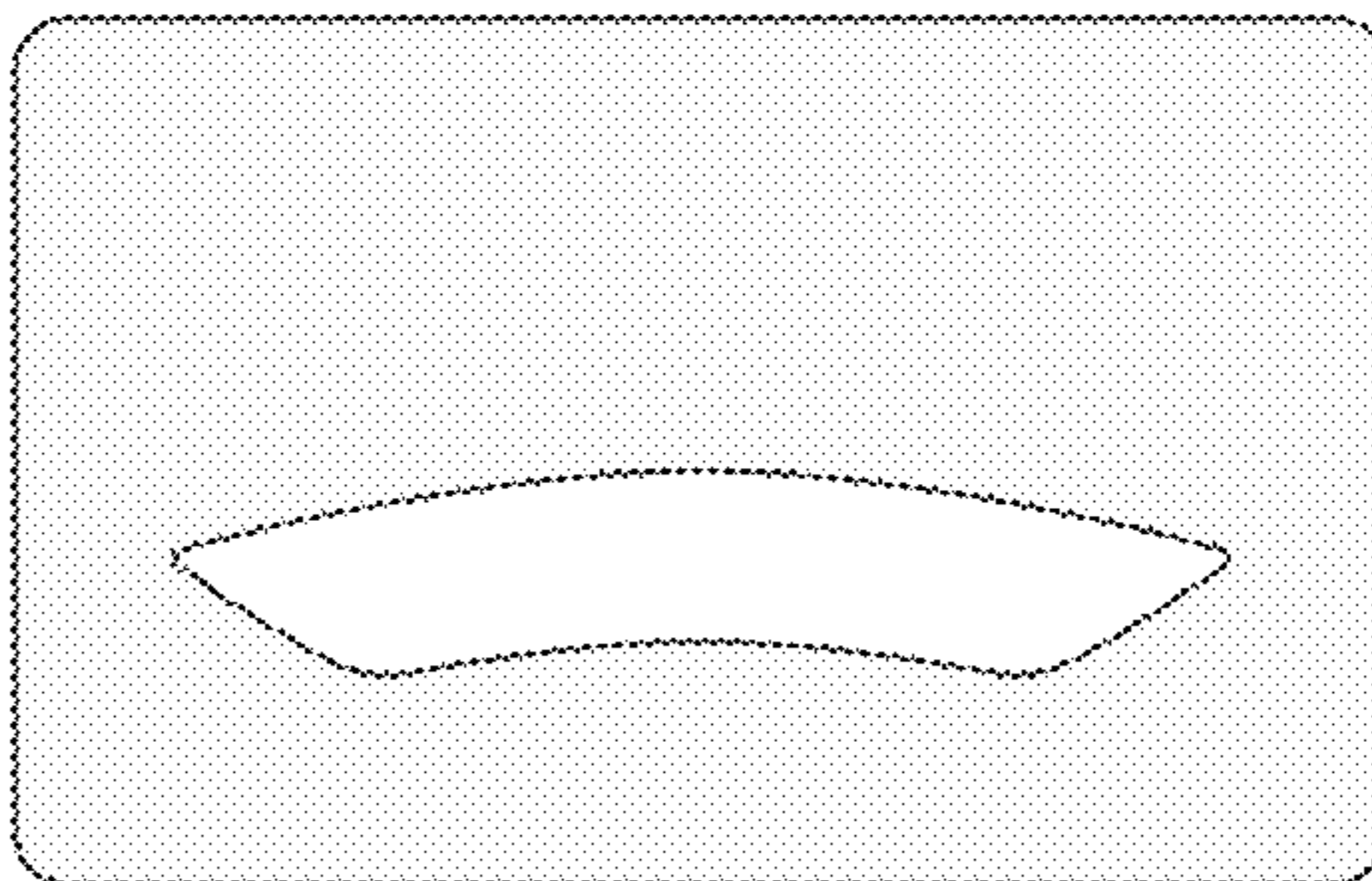


FIG. 14 is a top view of the present invention of FIG. 1 in an arched position, the bottom view being a mirror image thereof;

FIG. 15 is a right side view of the present invention of FIG. 1 in an arched position, the left side view being a mirror image thereof;

FIG. 16 is a perspective view of the present invention of FIG. 1 in an arched position;

FIG. 17 is a front view of an alternate embodiment of the present invention of FIG. 5 in an arched position, the back side view being a mirror image thereof;

FIG. 18 is a top view of the alternate embodiment of the present invention of FIG. 5 in an arched position, the bottom view being a mirror image thereof;

FIG. 19 is a right side view of the alternate embodiment of the present invention of FIG. 5 in an arched position, the left side view being a mirror image thereof;

FIG. 20 is a perspective view of the alternate embodiment of the present invention of FIG. 5 in an arched position;

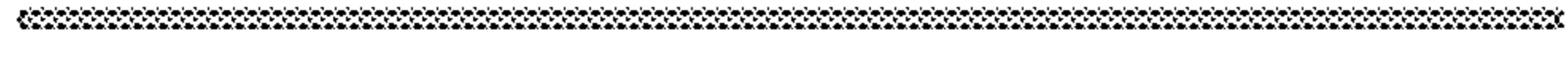
FIG. 21 is a front view of a second alternate embodiment of the present invention of FIG. 9 in an arched position, the back side view being a mirror image thereof;

FIG. 22 is a top view of the second alternate embodiment of the present invention of FIG. 9 in an arched position, the bottom view being a mirror image thereof;

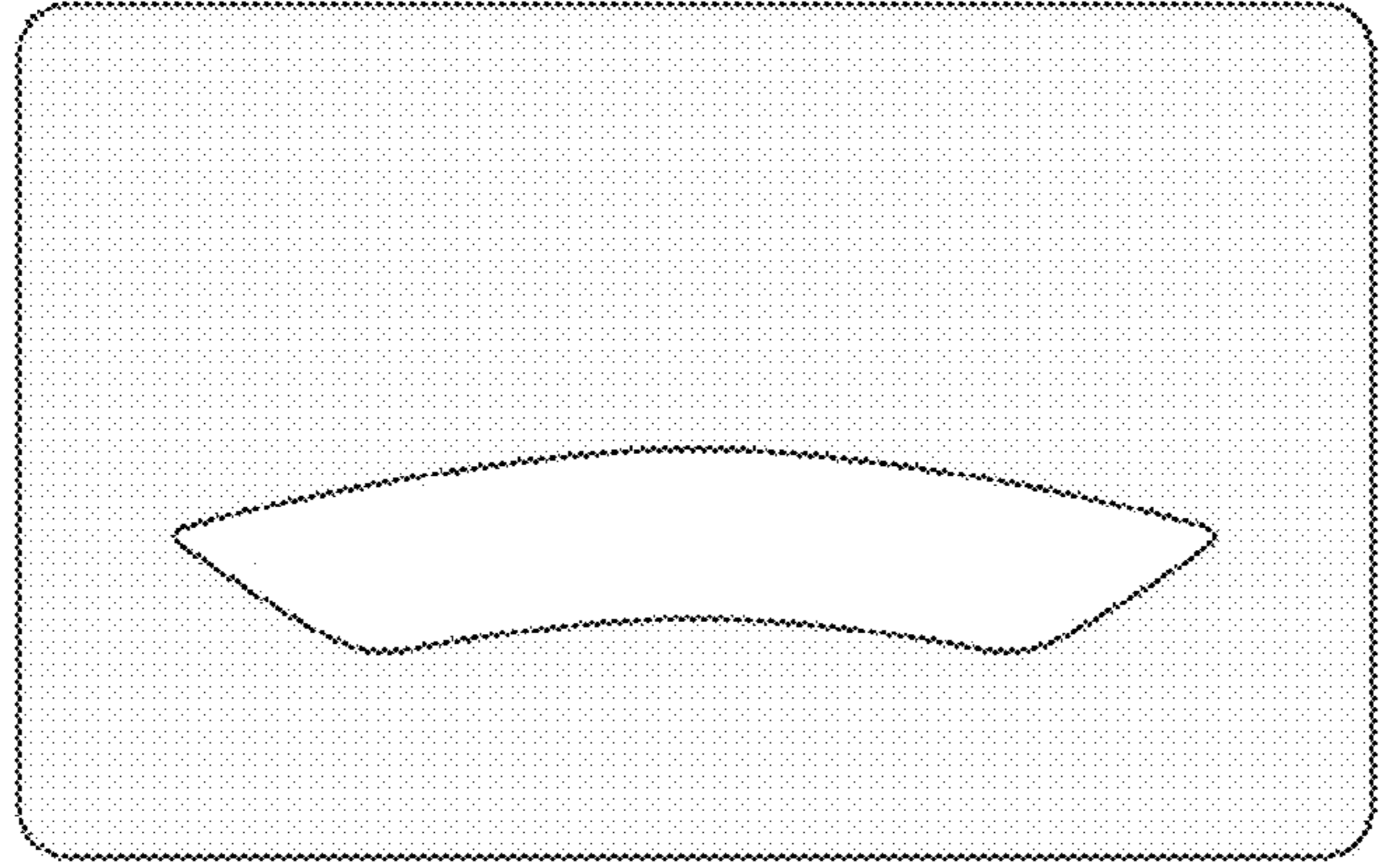
FIG. 23 is a right side view of the second alternate embodiment of the present invention of FIG. 9 in an arched position, the left side view being a mirror image thereof; and,

FIG. 24 is a perspective view of the second alternate embodiment of the present invention of FIG. 9 in an arched position.

**1 Claim, 6 Drawing Sheets**



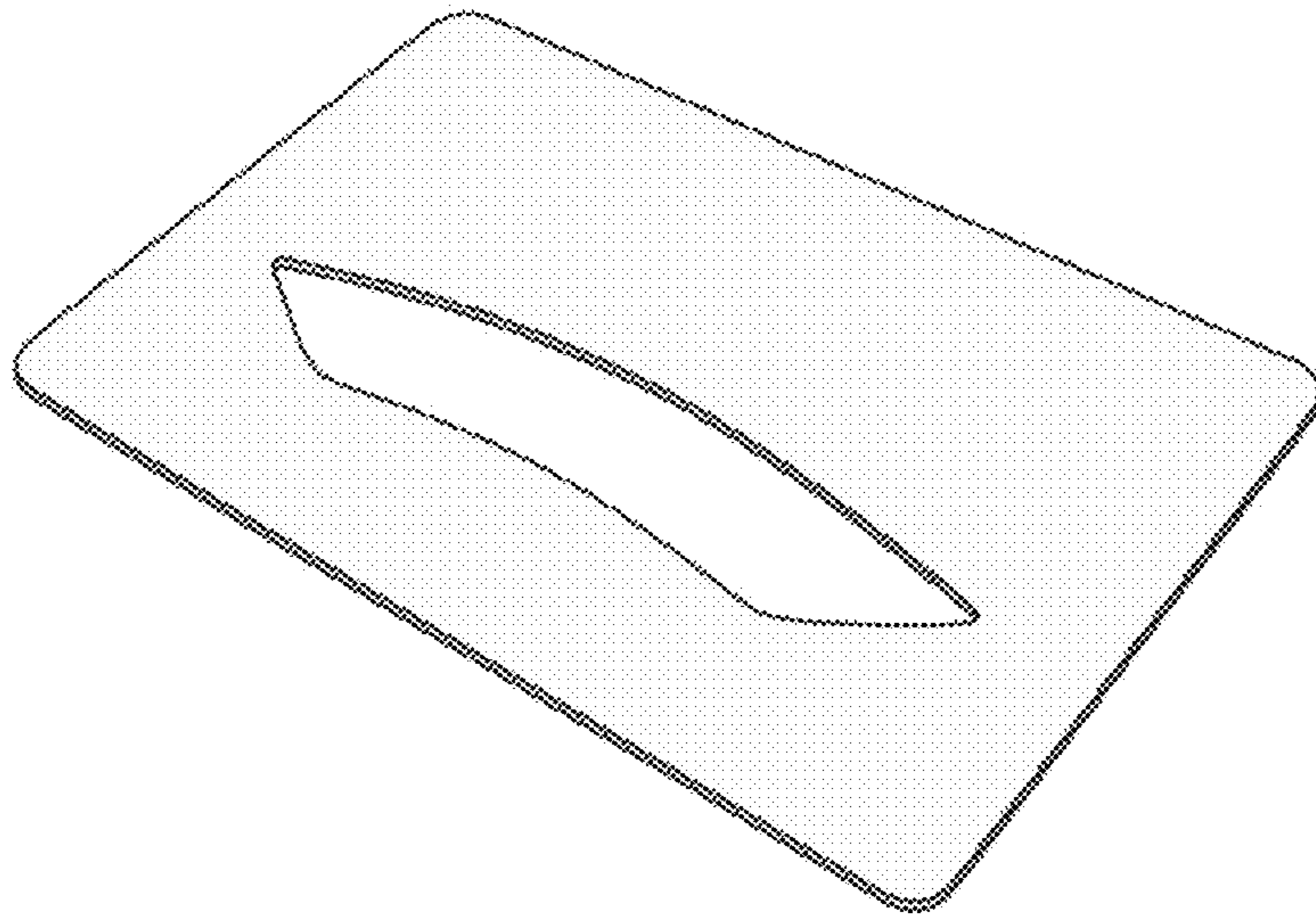
*FIG. 2*



*FIG. 1*



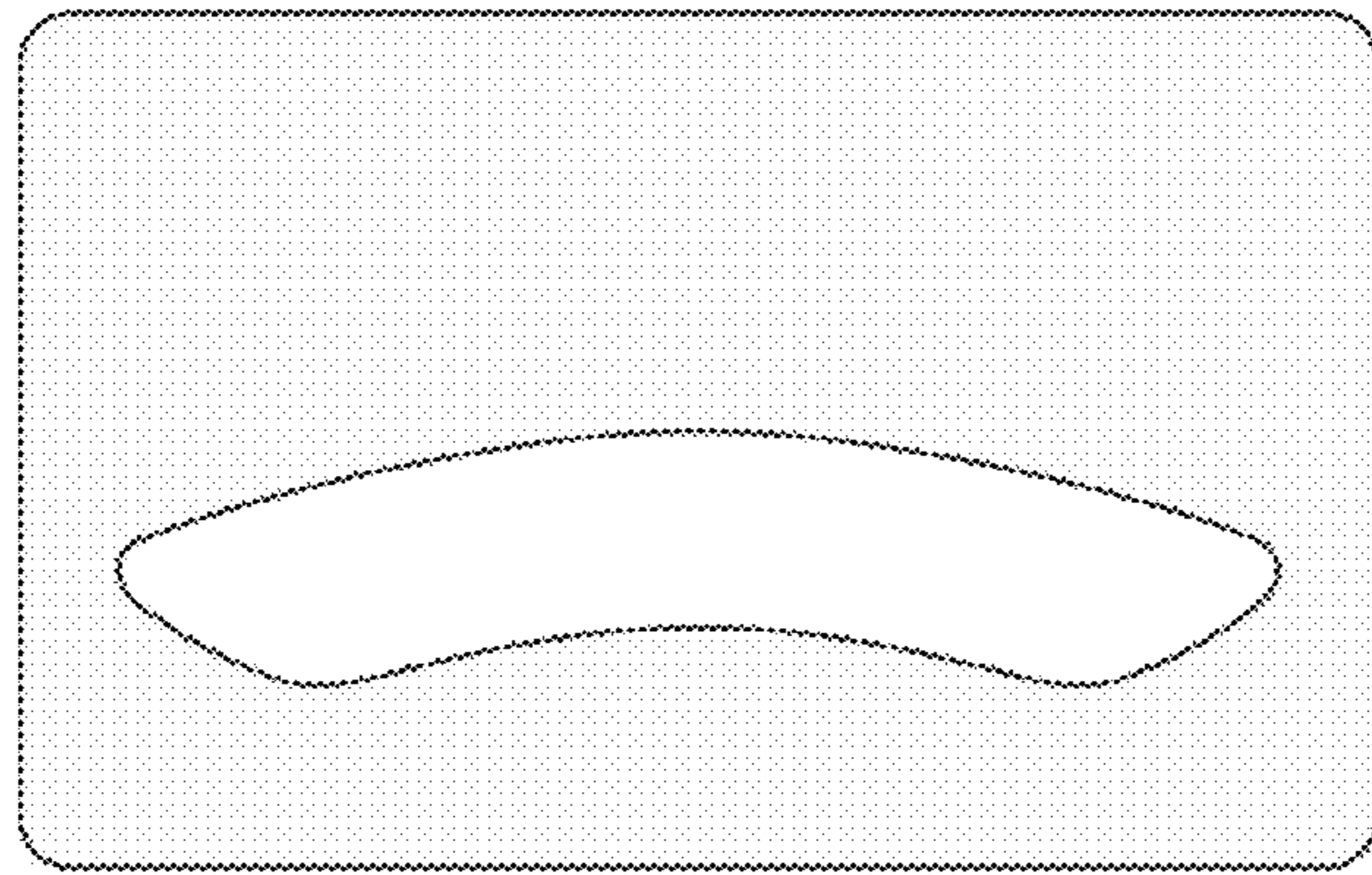
*FIG. 3*



*FIG. 4*



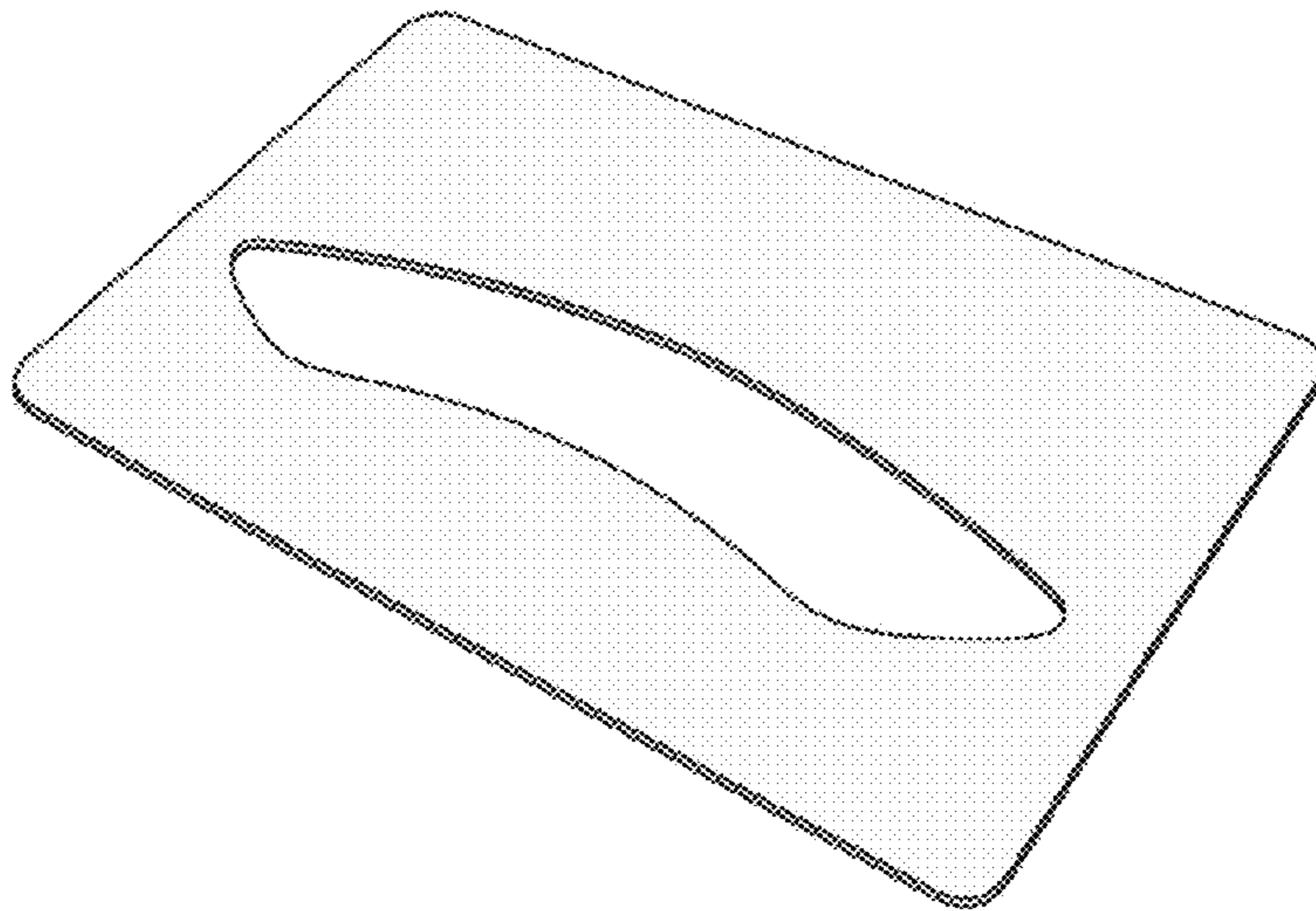
*FIG. 6*



*FIG. 5*



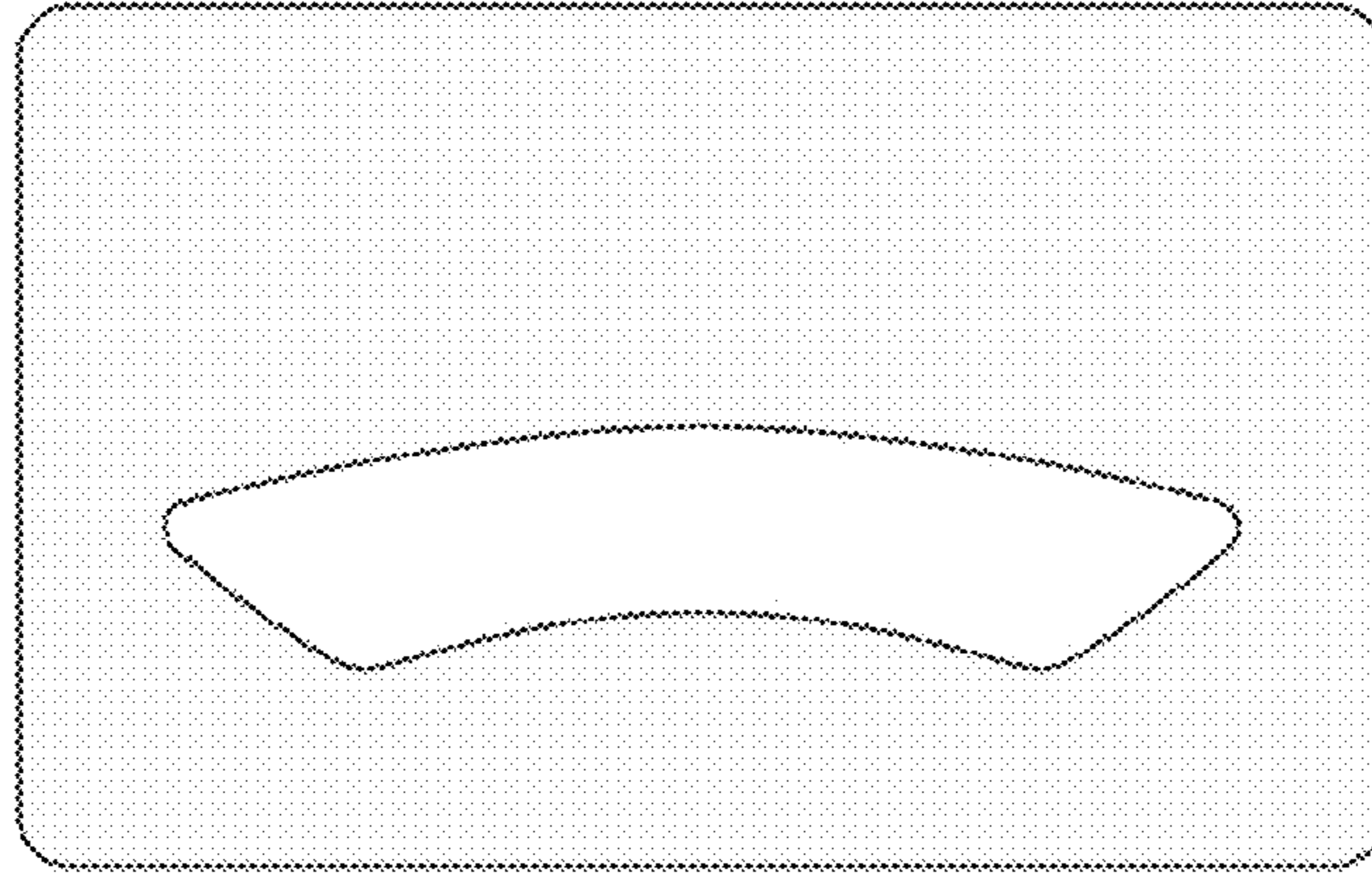
*FIG. 7*



*FIG. 8*



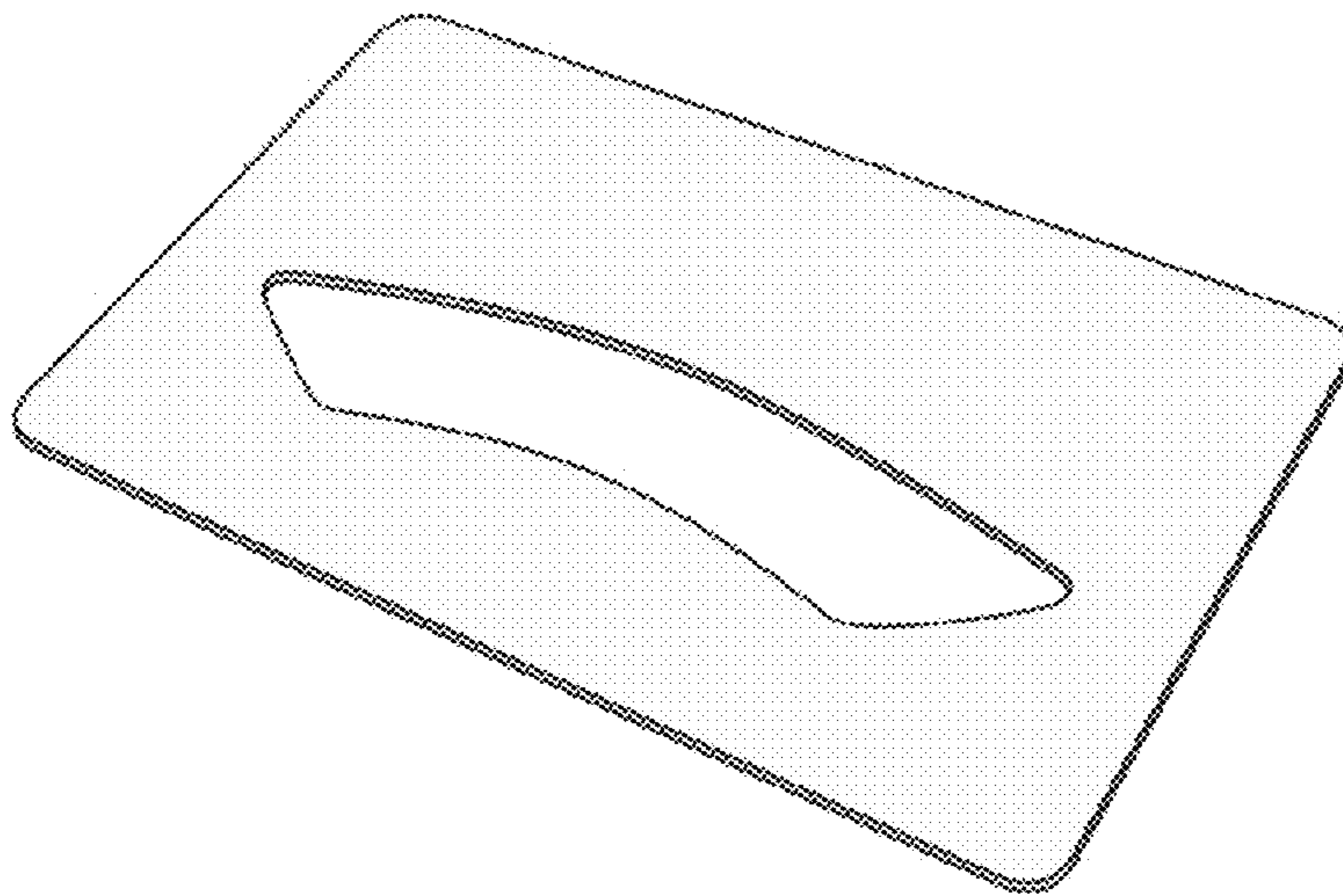
*FIG. 10*



*FIG. 9*



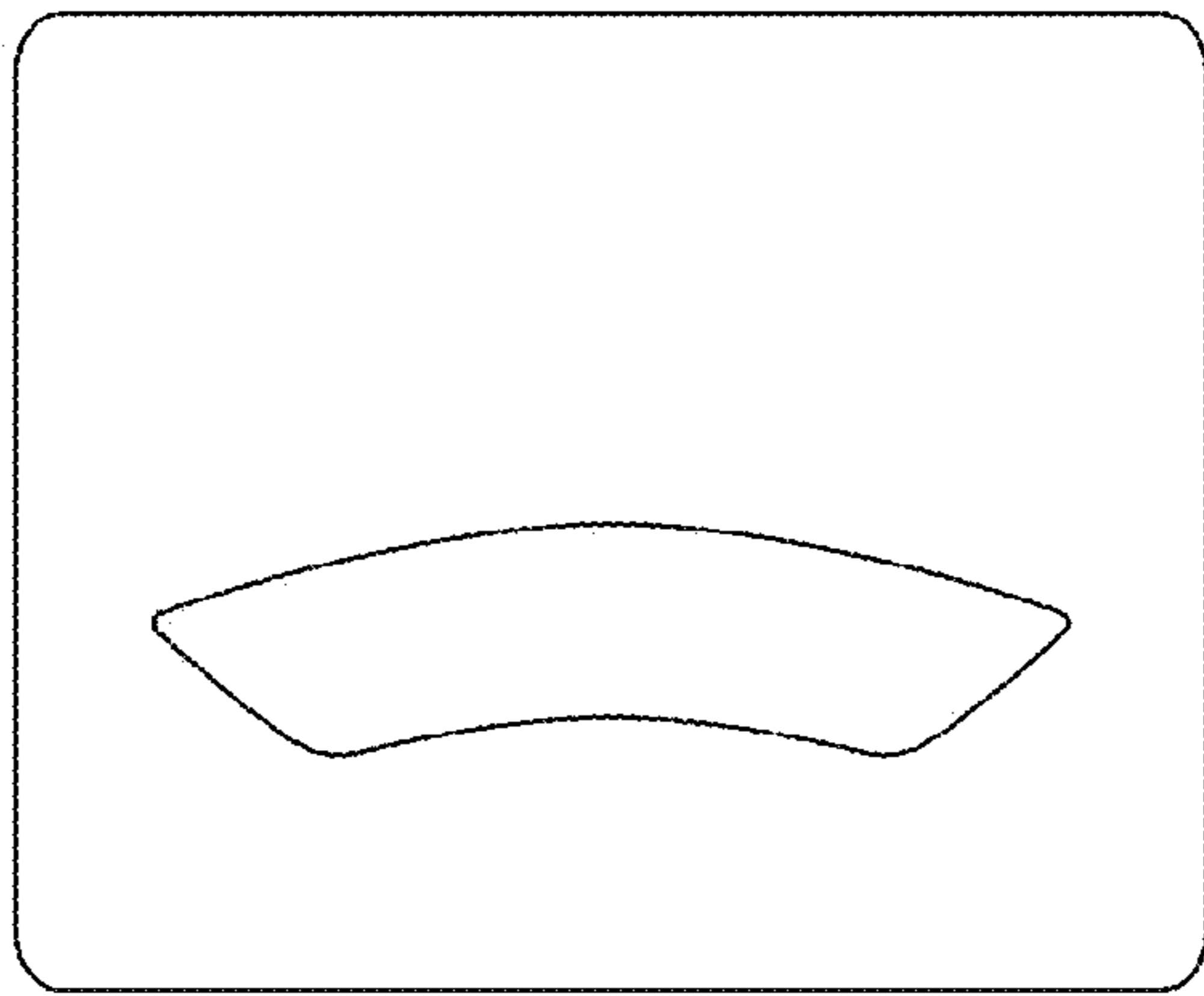
*FIG. 11*



*FIG. 12*



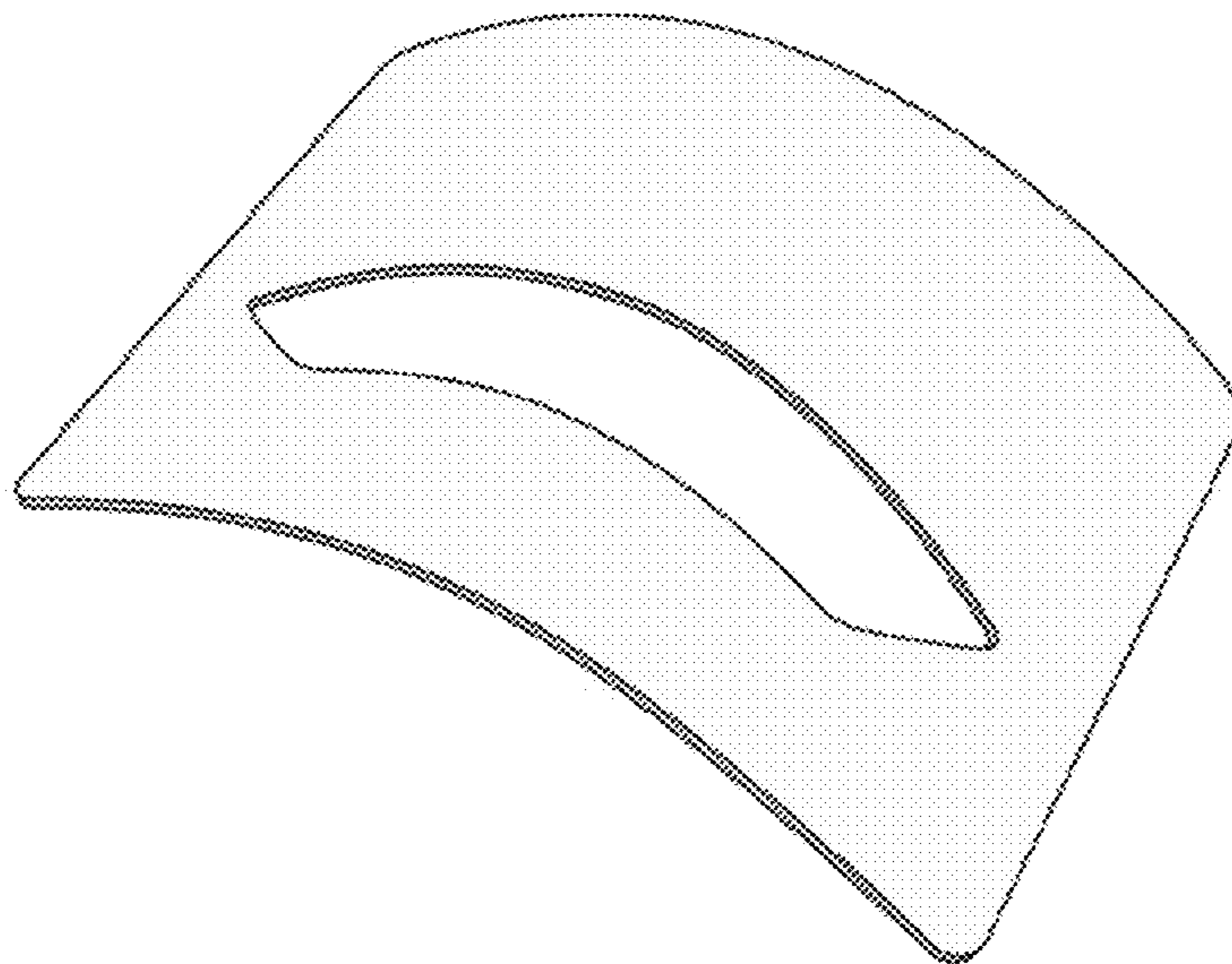
*FIG. 14*



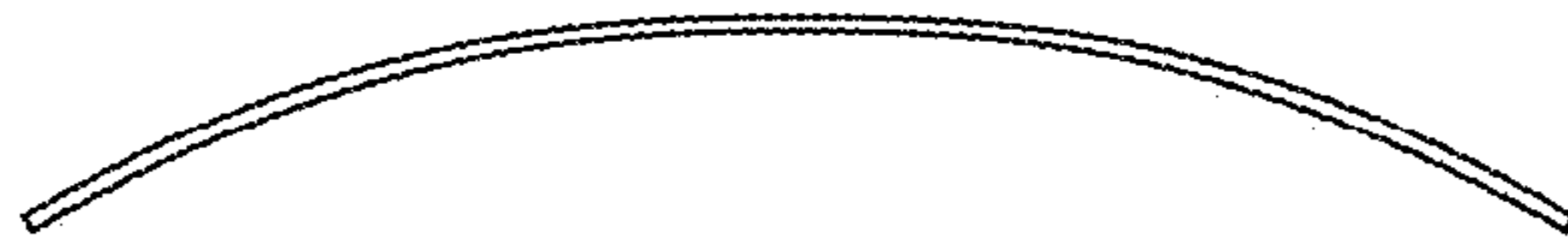
*FIG. 13*



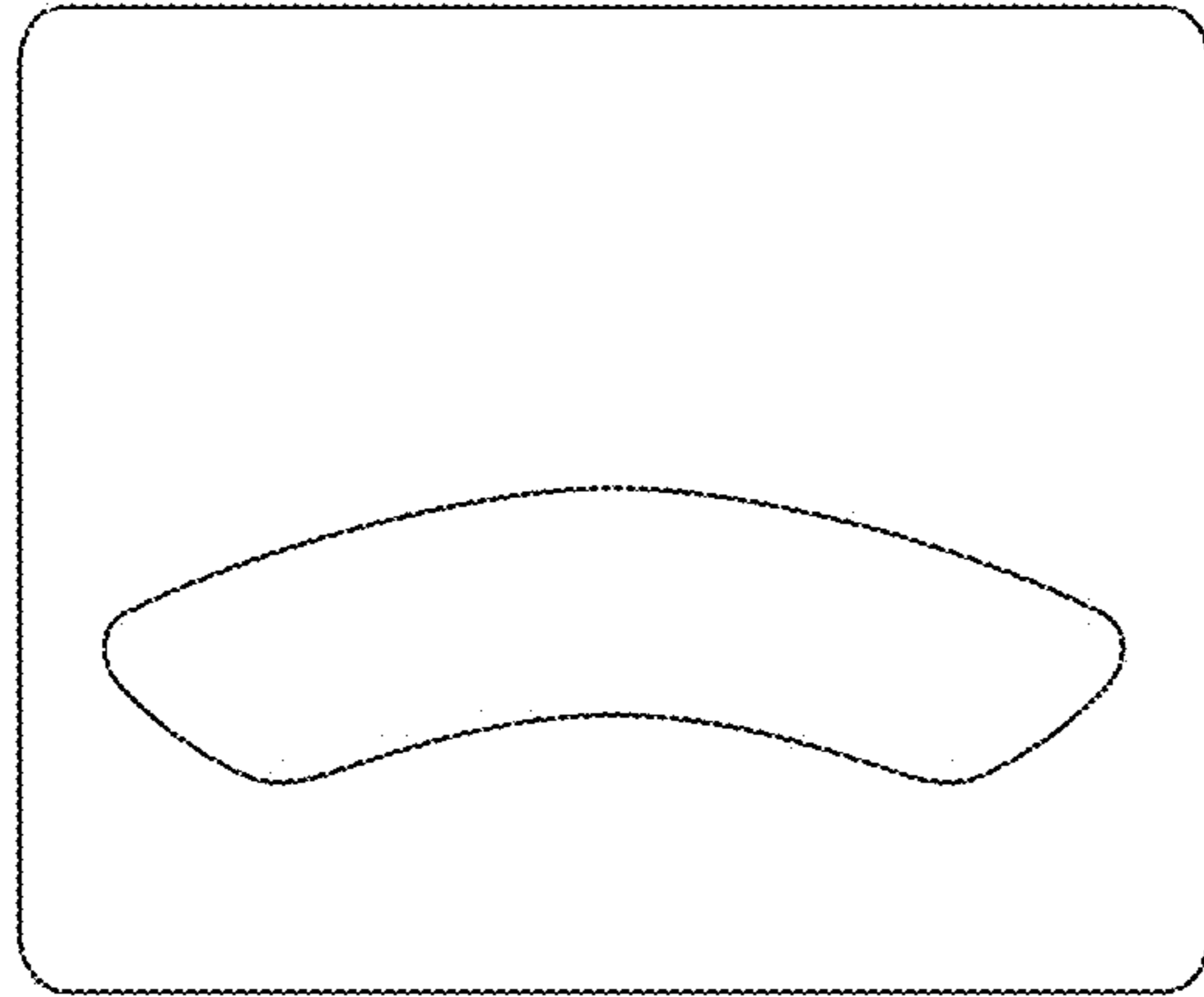
*FIG. 15*



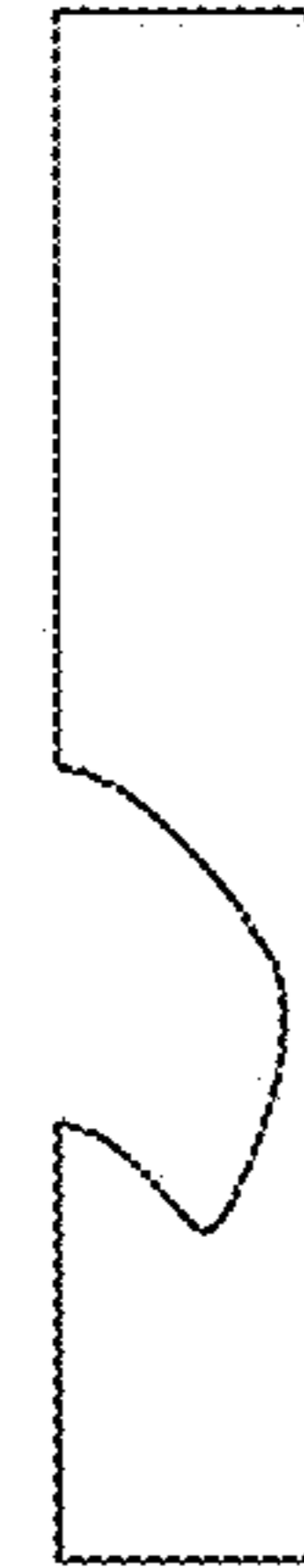
*FIG. 16*



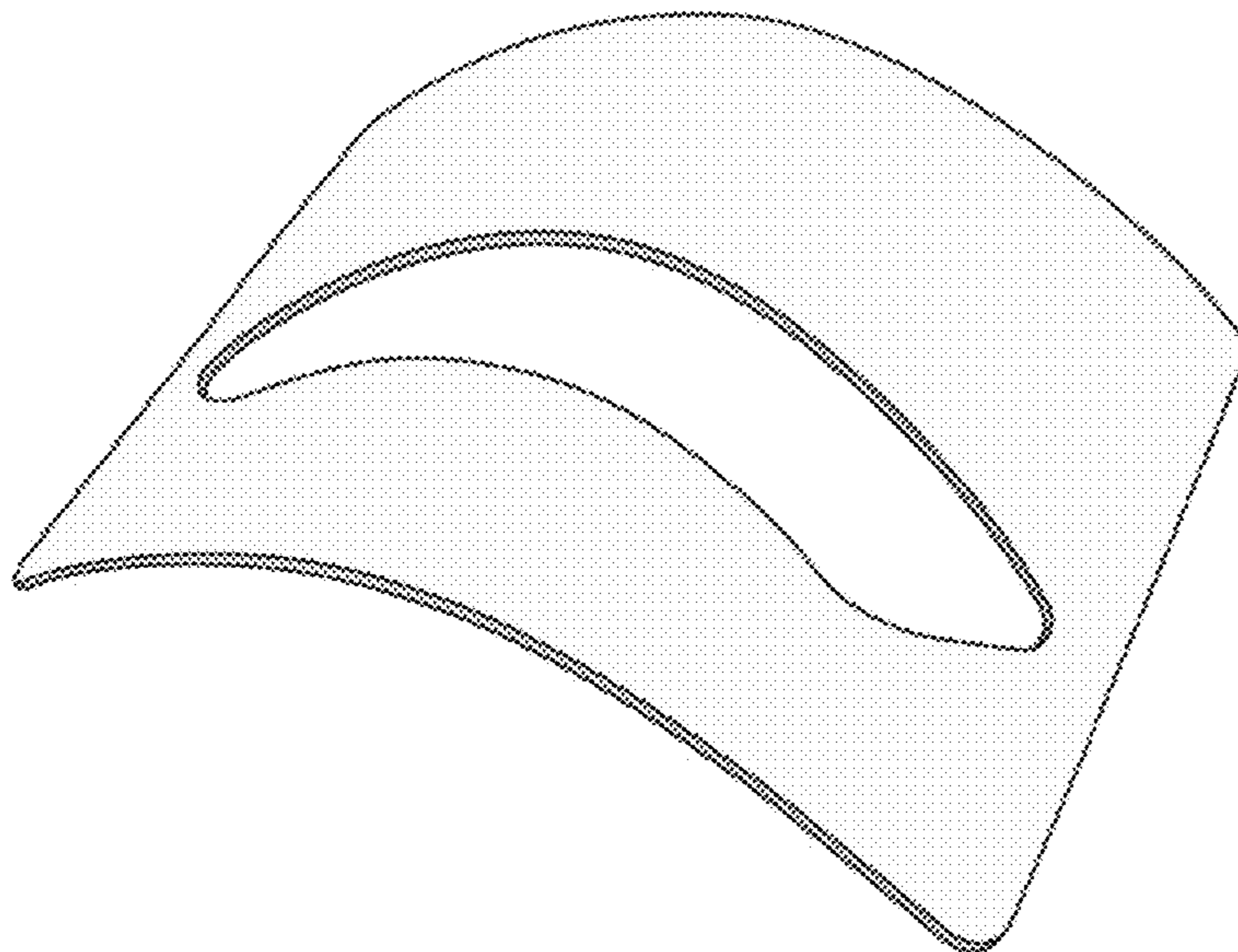
*FIG. 18*



*FIG. 17*



*FIG. 19*



*FIG. 20*



FIG. 22

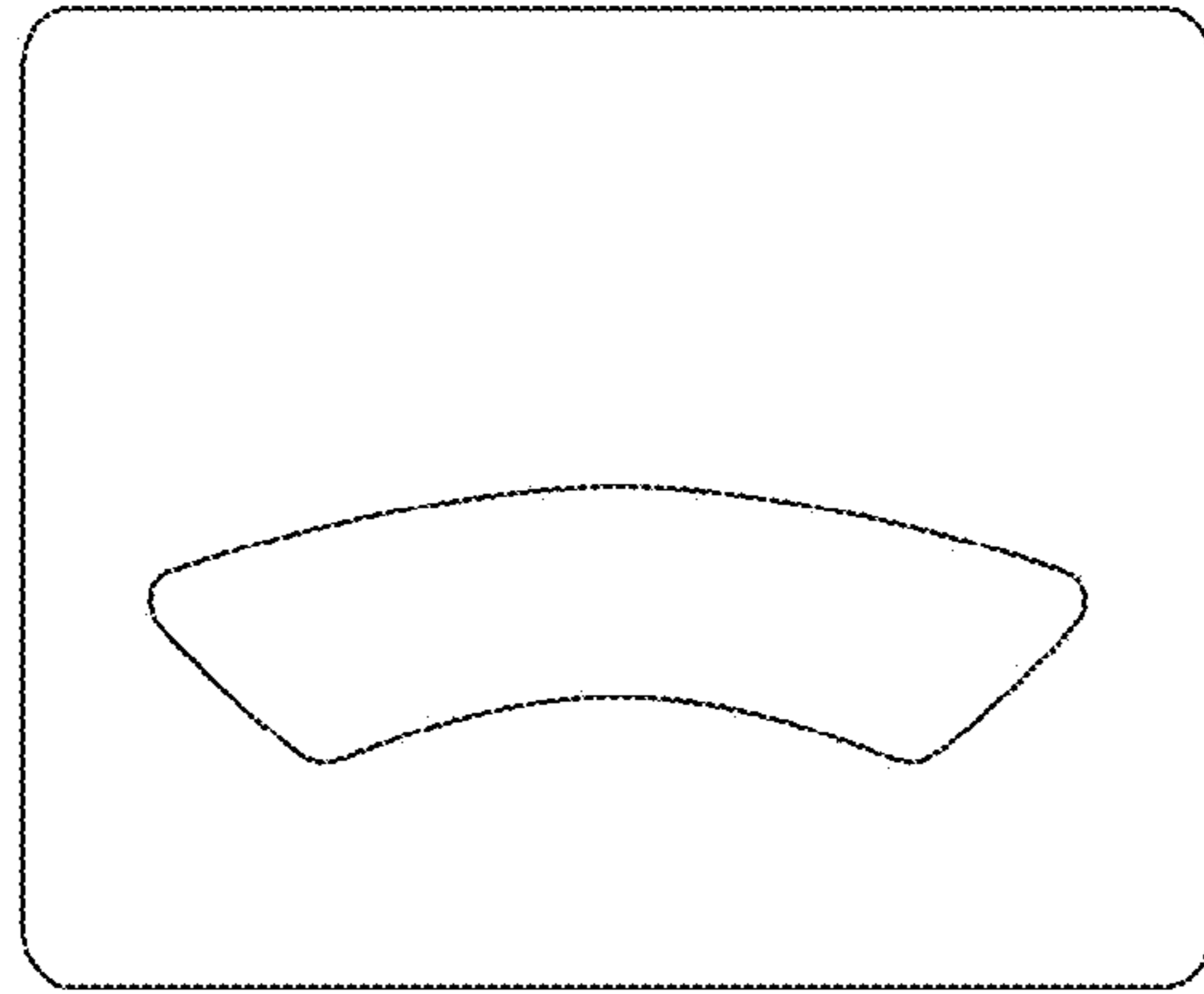


FIG. 21



FIG. 23

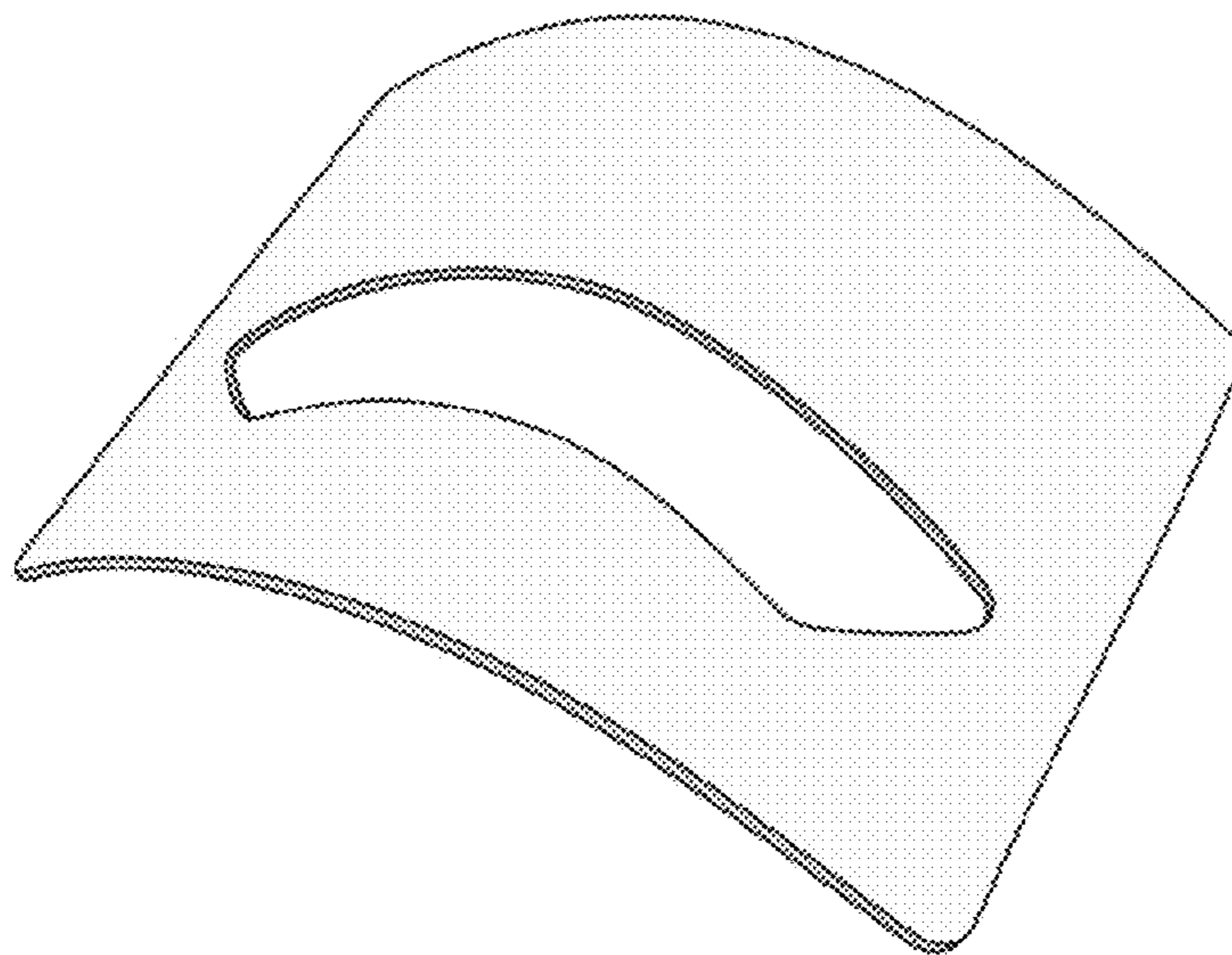


FIG. 24