



US00D703652S

(12) **United States Design Patent**
Melanson et al.

(10) **Patent No.:** **US D703,652 S**
(45) **Date of Patent:** **** Apr. 29, 2014**

(54) **CASE FOR ELECTRONIC DEVICE**

(71) Applicant: **Otter Products, LLC**, Fort Collins, CO (US)

(72) Inventors: **Christopher Melanson**, Fort Collins, CO (US); **Lee Gates**, Fort Collins, CO (US)

(73) Assignee: **Otter Products, LLC**, Fort Collins, CO (US)

(**) Term: **14 Years**

(21) Appl. No.: **29/441,662**

(22) Filed: **Jan. 8, 2013**

(51) **LOC (10) Cl.** **14-03**

(52) **U.S. Cl.**
USPC **D14/250**

(58) **Field of Classification Search**
USPC D14/250–253, 440, 203.3–203.7, 217, D14/496, 248, 238.1, 240, 447, 341–347, D14/444; D13/103, 107–108, 119; D3/201, D3/218, 247, 269, 273, 301, 303; 248/176.3, 188.8, 309.1, 371, 668; 361/220, 379.01, 679.01, 679.02, 361/679.09, 679.21, 679.25, 679.3, 679.4, 361/679.56, 679.57, 759, 807, 816; 379/433.11, 451, 455; 455/556.1, 557, 455/566, 575.1, 575.2, 575.8; 206/37, 45.2, 206/305, 320, 216; 320/108, 115; 429/96; 220/4.02; 150/165; 174/50; 235/41, 235/375, 462; 312/223.1; 396/535
See application file for complete search history.

(56) **References Cited**

U.S. PATENT DOCUMENTS

D565,291 S * 4/2008 Brandenburg et al. D3/218
D581,155 S 11/2008 Richardson et al.
D587,008 S 2/2009 Richardson et al.

D589,016 S 3/2009 Richardson et al.
D593,746 S 6/2009 Richardson et al.
D597,301 S 8/2009 Richardson et al.
D603,602 S 11/2009 Richardson et al.
D605,850 S 12/2009 Richardson et al.
D613,282 S * 4/2010 Richardson et al. D14/250
D615,535 S * 5/2010 Richardson et al. D14/250
D617,784 S * 6/2010 Richardson et al. D14/250
D619,130 S * 7/2010 Fellig D14/250
D623,179 S * 9/2010 Richardson et al. D14/250
D623,639 S 9/2010 Richardson et al.
D626,964 S 11/2010 Richardson et al.
D634,741 S 3/2011 Richardson et al.
7,933,122 B2 4/2011 Richardson et al.
D637,589 S 5/2011 Willes et al.
D638,411 S 5/2011 Willes et al.
D638,413 S 5/2011 Magness et al.
D638,828 S * 5/2011 Melanson et al. D14/250
D640,679 S 6/2011 Willes et al.
D641,013 S * 7/2011 Richardson et al. D14/250
D642,169 S * 7/2011 Andre et al. D14/250
D642,170 S 7/2011 Johnson et al.

(Continued)

Primary Examiner — Carla Jobe Wright

(57) **CLAIM**

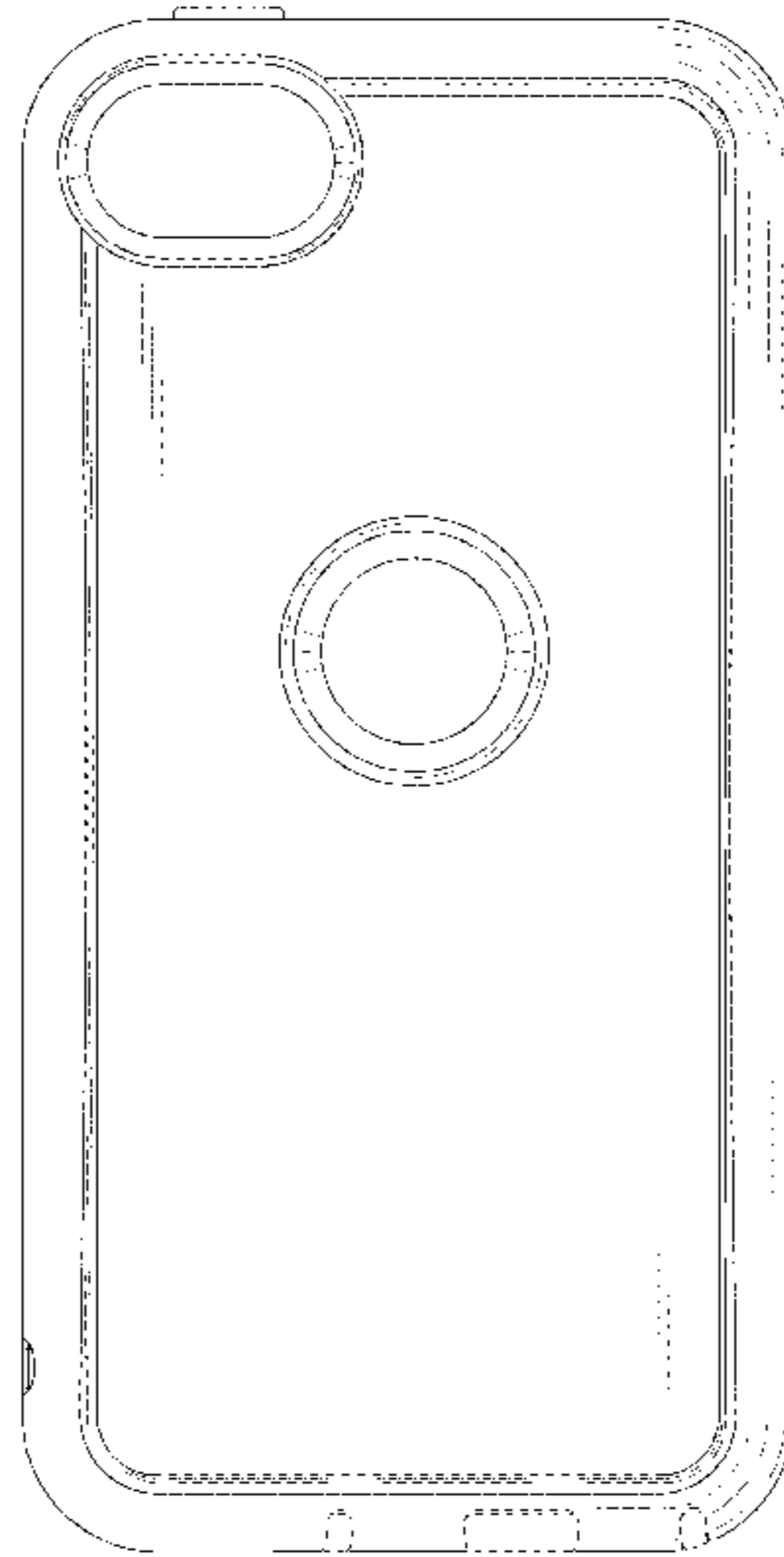
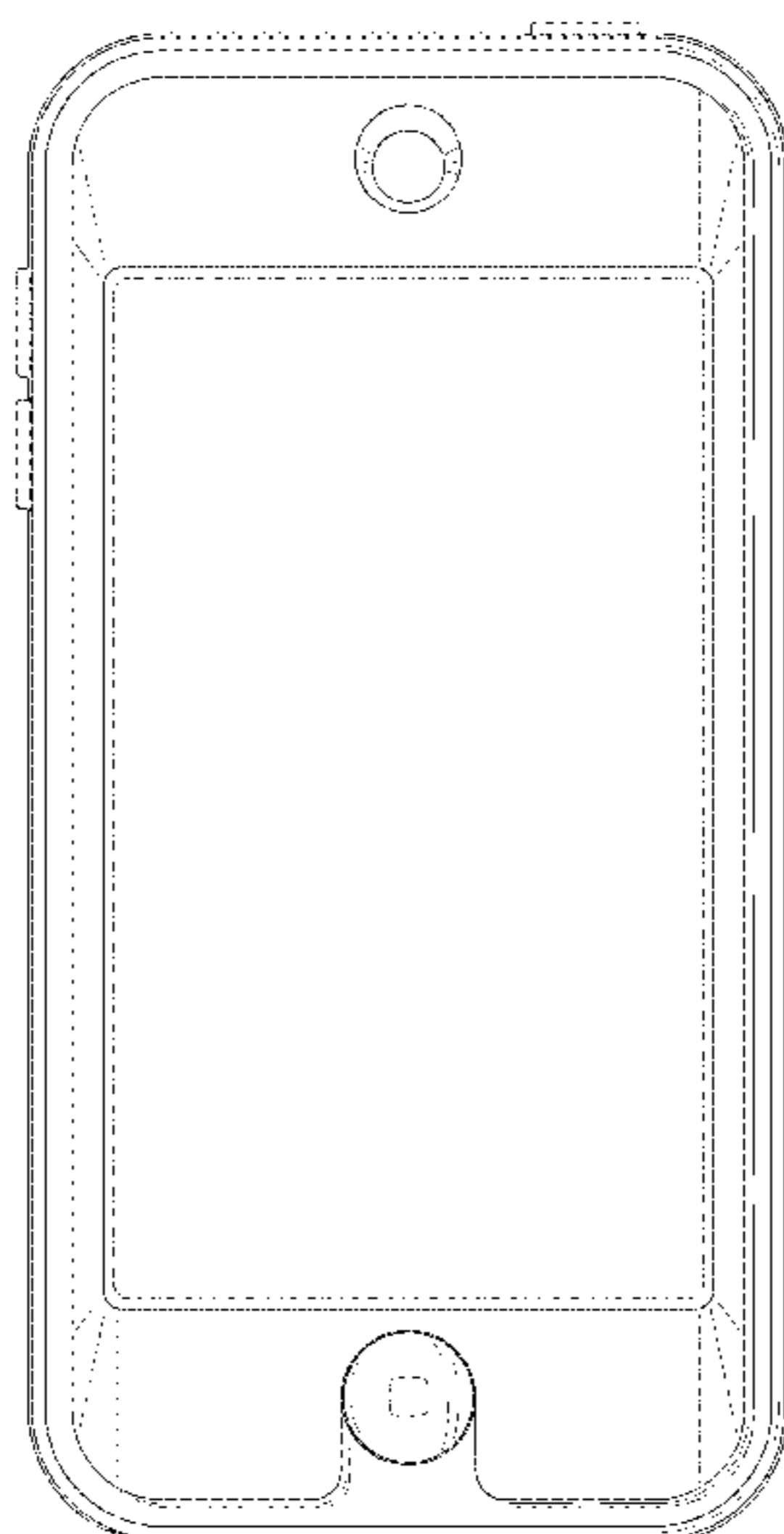
The ornamental design for a case for electronic device, as shown and described.

DESCRIPTION

FIG. 1 is a front isometric view of a case for electronic device showing our new design;
FIG. 2 is a rear isometric view thereof;
FIG. 3 is a front view thereof;
FIG. 4 is a rear view thereof;
FIG. 5 is a left view thereof;
FIG. 6 is a right view thereof;
FIG. 7 is a top view thereof; and,
FIG. 8 is a bottom view thereof.

The dot-dash-dot broken lines represent a boundary of the claimed design. The dash-dash-dash broken lines depict unclaimed environment. The broken lines form no part of the claimed design.

1 Claim, 6 Drawing Sheets



(56)

References Cited

U.S. PATENT DOCUMENTS

D642,171 S	7/2011	Melanson et al.	D673,545 S	1/2013	Magness et al.
D643,422 S	8/2011	Smith et al.	D673,546 S	1/2013	Magness et al.
D643,837 S	8/2011	Smith et al.	D673,550 S	1/2013	Magness et al.
D644,637 S	9/2011	Smith et al.	D673,552 S	1/2013	Weller et al.
D644,639 S	9/2011	Weller et al.	D673,569 S	1/2013	Smith et al.
D645,031 S	9/2011	Richardson et al.	D673,936 S	1/2013	Michie et al.
D649,347 S	11/2011	Smith et al.	D673,939 S	1/2013	Chang et al.
D651,203 S	12/2011	Michie et al.	D673,940 S	1/2013	Chang et al.
D651,594 S	1/2012	Melanson et al.	D673,941 S *	1/2013	Melanson et al. D14/250
D654,485 S	2/2012	Chang et al.	D674,791 S	1/2013	Melanson et al.
D654,487 S	2/2012	Weller et al.	D675,603 S	2/2013	Melanson et al.
D654,492 S	2/2012	Melanson et al.	D676,036 S	2/2013	Chang et al.
D657,137 S	4/2012	Weller et al.	D676,435 S	2/2013	Chang et al.
D661,482 S	6/2012	Chang et al.	D676,838 S	2/2013	Magness et al.
D661,483 S	6/2012	Weller et al.	D677,251 S *	3/2013	Melanson et al. D14/250
D662,924 S *	7/2012	Melanson et al. D14/250	D681,023 S *	4/2013	Weller et al. D14/250
8,297,440 B2 *	10/2012	Schmidt et al. 206/320	D689,851 S *	9/2013	Chang et al. D14/250
D673,539 S	1/2013	Magness et al.	D691,990 S *	10/2013	Rayner D14/250
D673,541 S	1/2013	Weller et al.	D692,419 S *	10/2013	Rayner D14/250
D673,543 S	1/2013	Melanson et al.	2011/0253569 A1 *	10/2011	Lord 206/320
			2012/0211382 A1 *	8/2012	Rayner 206/320
			2013/0157730 A1 *	6/2013	McCormac et al. 455/575.8

* cited by examiner

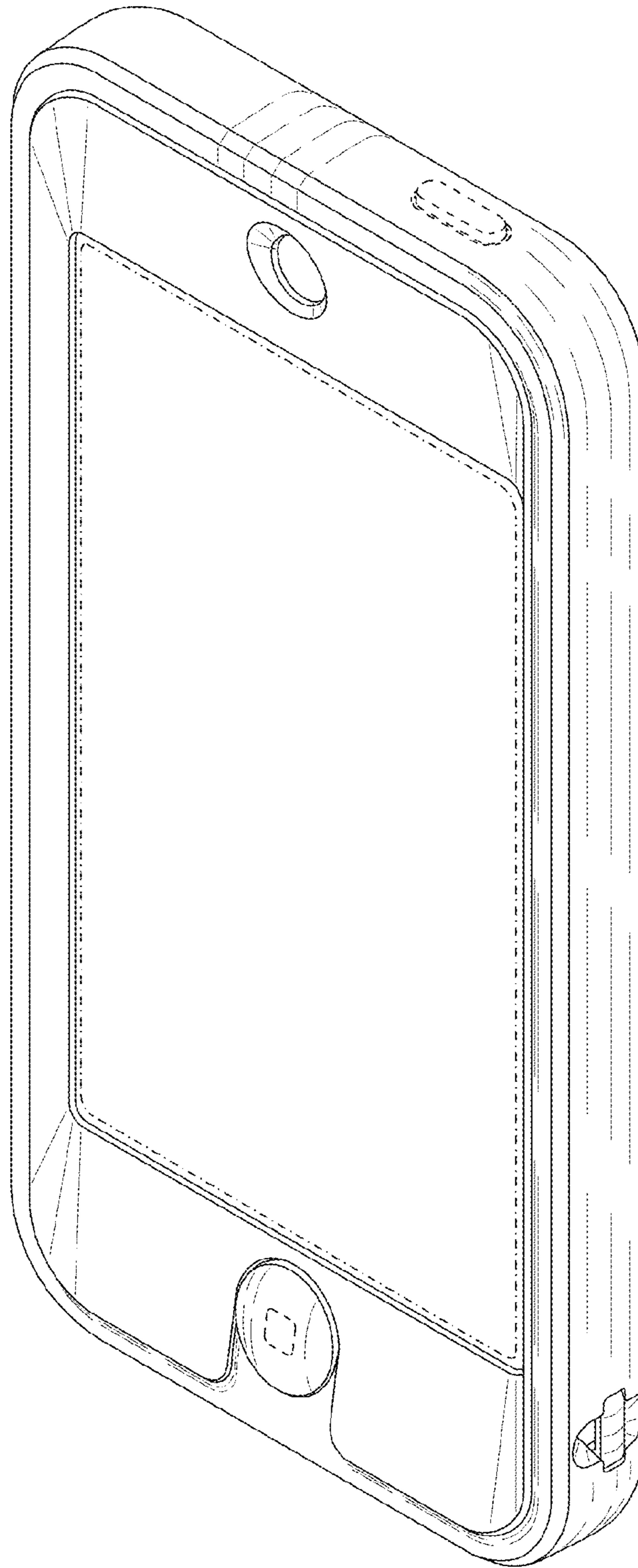


FIG. 1

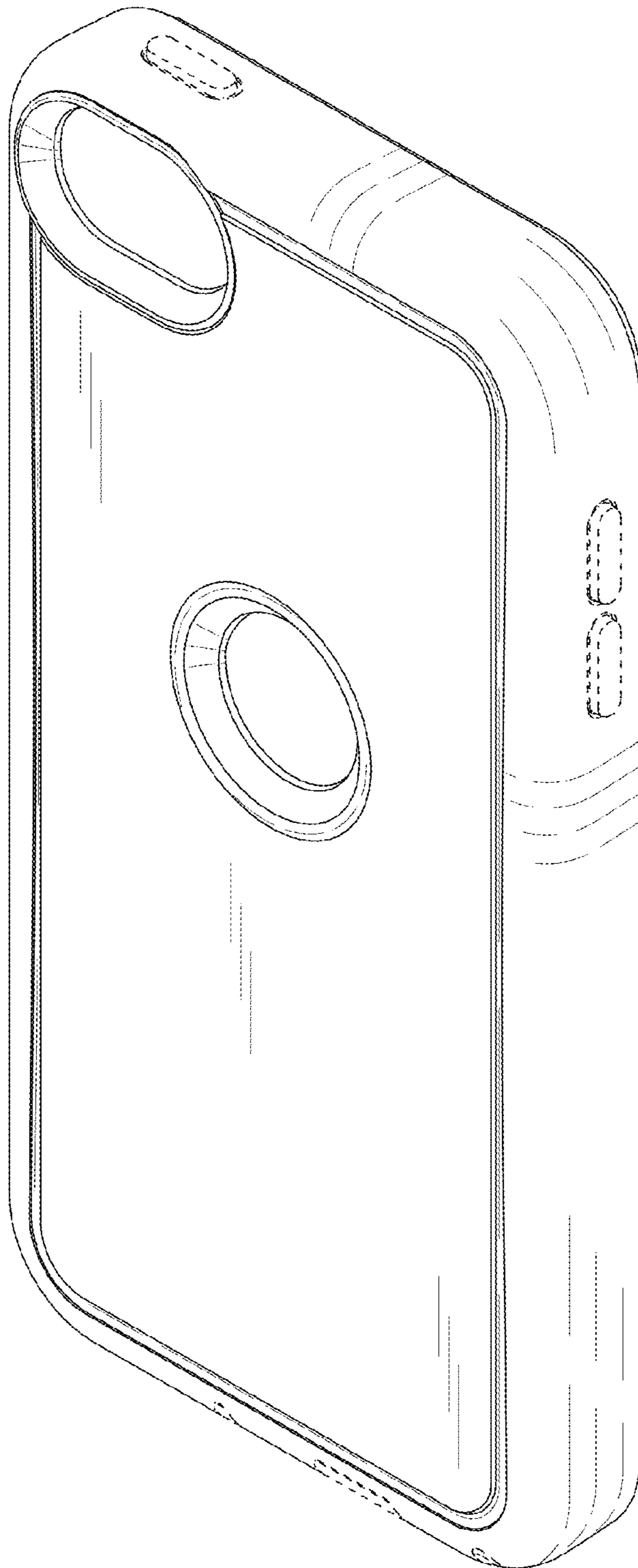


FIG. 2

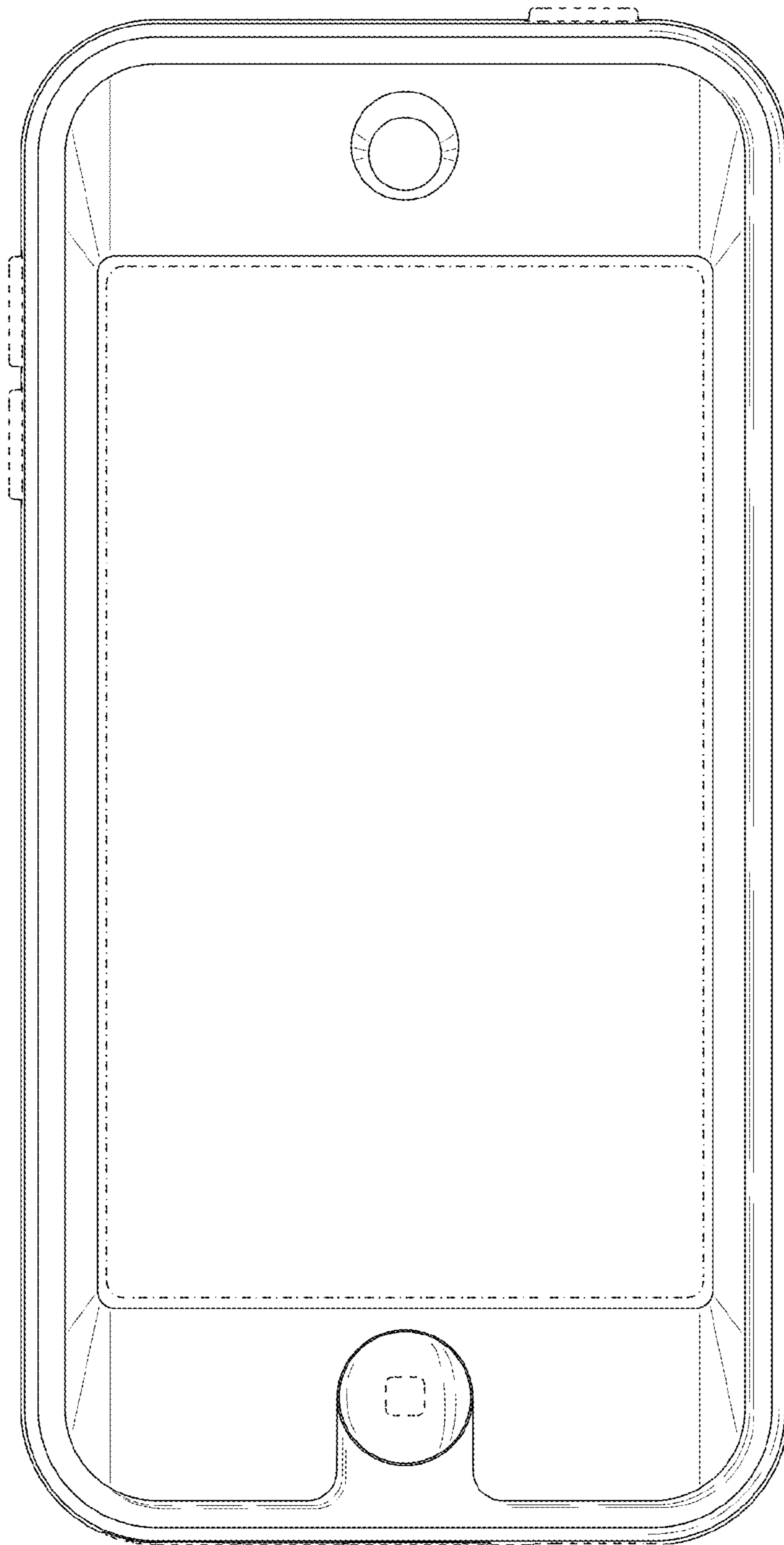


FIG. 3

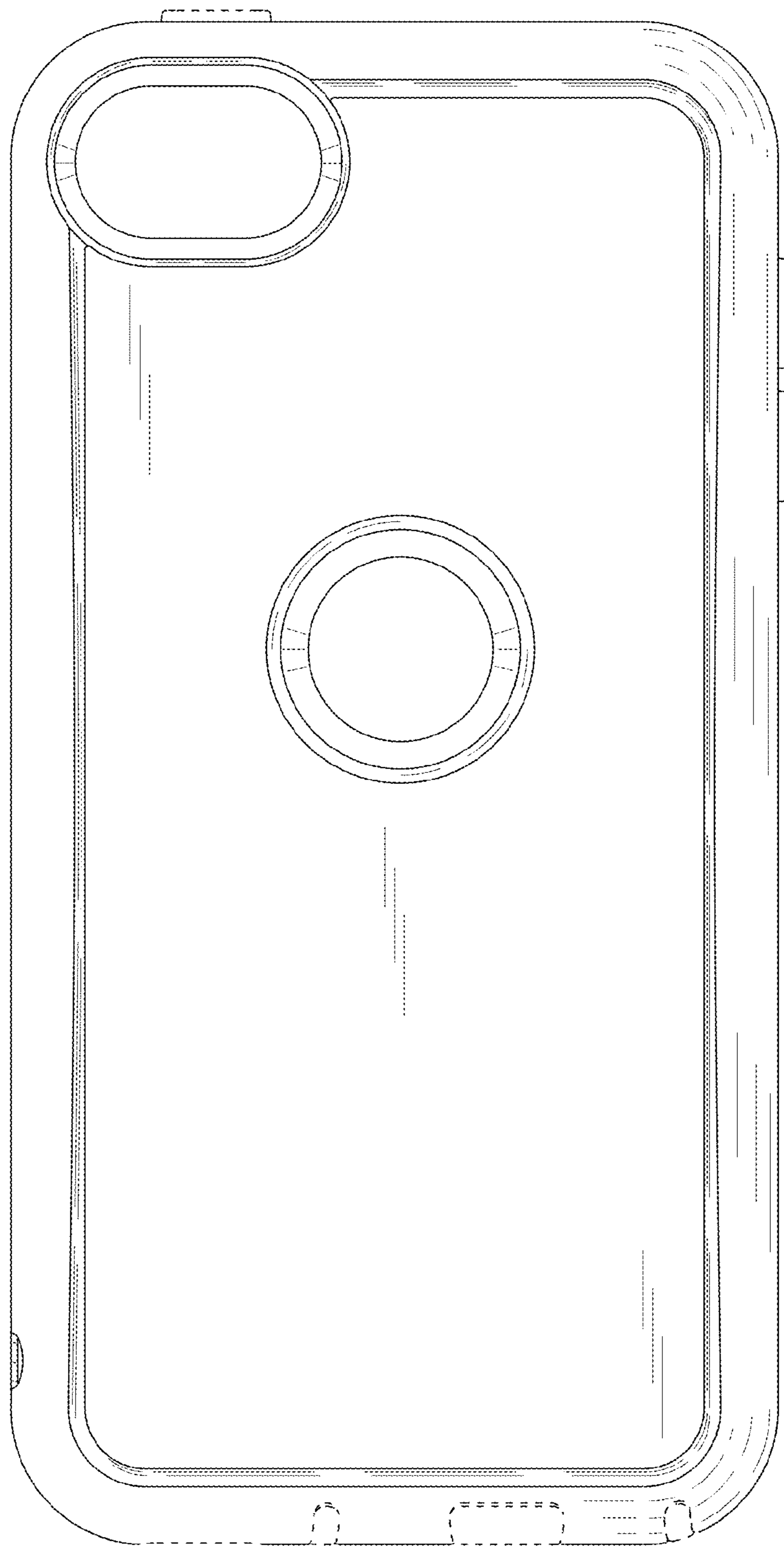


FIG. 4

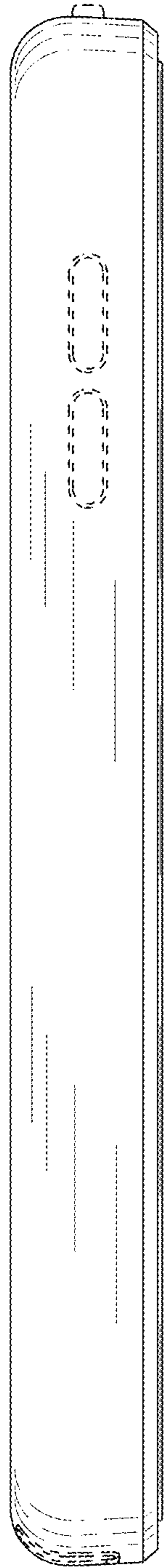


FIG. 5

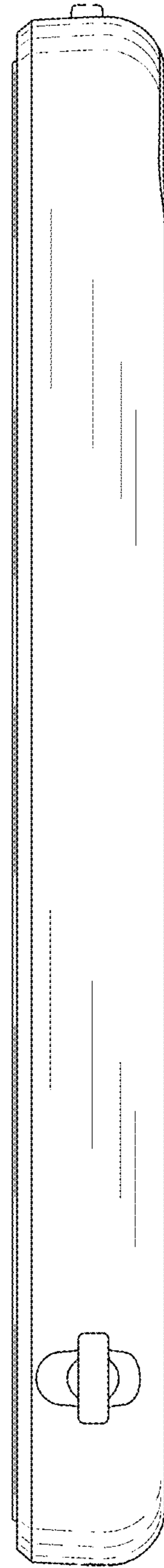


FIG. 6

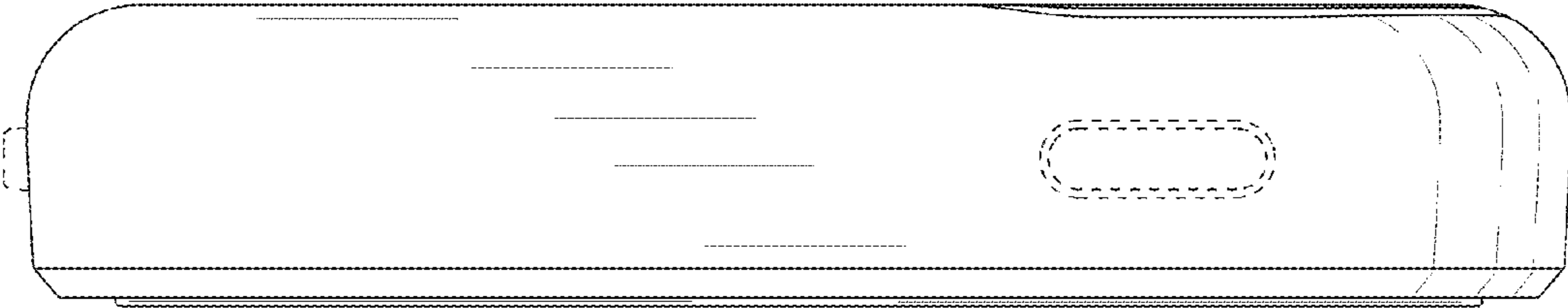


FIG. 7

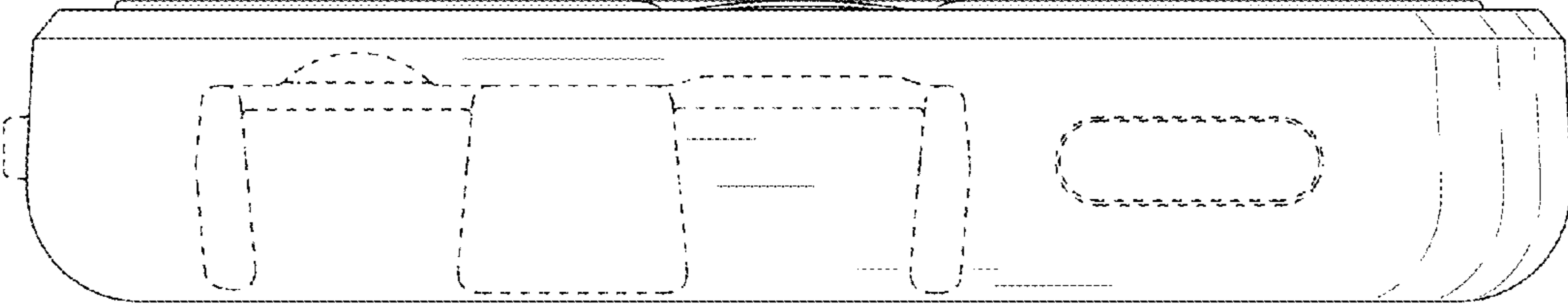


FIG. 8