

US00D703650S

(12) **United States Design Patent**  
**Ehrlich**

(10) **Patent No.:** **US D703,650 S**

(45) **Date of Patent:** **\*\* Apr. 29, 2014**

(54) **MOBILE DEVICE CASE WITH STORAGE COMPARTMENT**

(71) Applicant: **Jake Ehrlich**, San Francisco, CA (US)

(72) Inventor: **Jake Ehrlich**, San Francisco, CA (US)

(\*\*) Term: **14 Years**

(21) Appl. No.: **29/437,544**

(22) Filed: **Nov. 18, 2012**

(51) **LOC (10) Cl.** ..... **14-03**

(52) **U.S. Cl.**

USPC ..... **D14/250**

(58) **Field of Classification Search**

USPC ..... D14/250, 440, 238.1, 251-253,  
D14/203.3-203.7, 217, 496, 248, 240, 447,  
D14/341-347, 432, 434; D13/110, 118,  
D13/184, 199, 103, 107, 108, 119;  
220/4.02; 320/107; 224/191, 240, 241,  
224/245, 682, 683; D3/201, 218, 247, 269,  
D3/273, 301, 303; 361/679.56, 679.3,  
361/679.25, 816; 379/426, 433.11, 455;  
455/575.1, 575.8

See application file for complete search history.

(56) **References Cited**

**U.S. PATENT DOCUMENTS**

D403,858 S *	1/1999	Wicks	.....	D3/249
D426,703 S *	6/2000	Kojoori	.....	D3/249
D431,719 S *	10/2000	Mucarquer	.....	D3/247
D434,899 S *	12/2000	Kojoori	.....	D3/249
D575,506 S *	8/2008	Huang	.....	D3/247
D610,346 S *	2/2010	Eriksen et al.	.....	D3/247
D615,078 S *	5/2010	Bradley	.....	D14/250
D619,130 S *	7/2010	Fellig	.....	D14/250

D624,064 S *	9/2010	Esposito	.....	D14/250
D625,920 S *	10/2010	Lyon et al.	.....	D3/247
D650,810 S *	12/2011	Lemelman et al.	.....	D14/496
D654,931 S *	2/2012	Lemelman et al.	.....	D14/496
D681,620 S *	5/2013	Huskinson	.....	D14/250
D688,654 S *	8/2013	Stevinson	.....	D14/250
D691,636 S *	10/2013	Bunton	.....	D14/496
2013/0095898 A1 *	4/2013	Altschul et al.	.....	455/575.8

\* cited by examiner

*Primary Examiner* — Adir Aronovich

*Assistant Examiner* — Ethiene Salgado-Rodriguez

(74) *Attorney, Agent, or Firm* — Olsen Patent Law

(57) **CLAIM**

I claim the ornamental design for a mobile device case with storage compartment, as shown and described.

**DESCRIPTION**

FIG. 1 is a front and right side perspective view of the mobile device case with storage compartment showing my new design;

FIG. 2 is a rear and left side perspective view thereof;

FIG. 3 is a rear and left side perspective view thereof with storage compartment door open;

FIG. 4 is a front elevation view thereof;

FIG. 5 is a right side elevation view thereof;

FIG. 6 is a rear elevation view thereof;

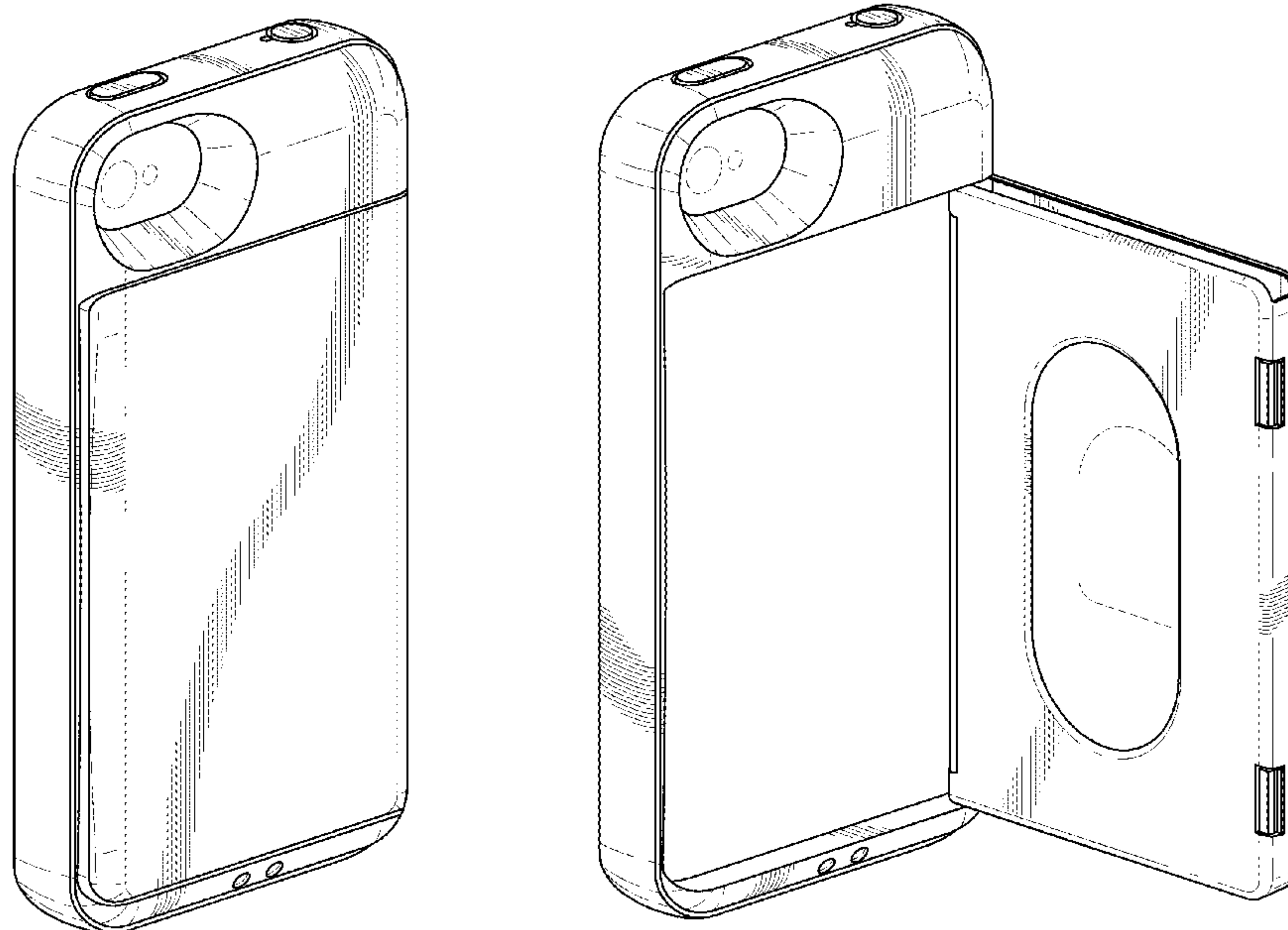
FIG. 7 is a left side elevation view as seen from FIG. 4;

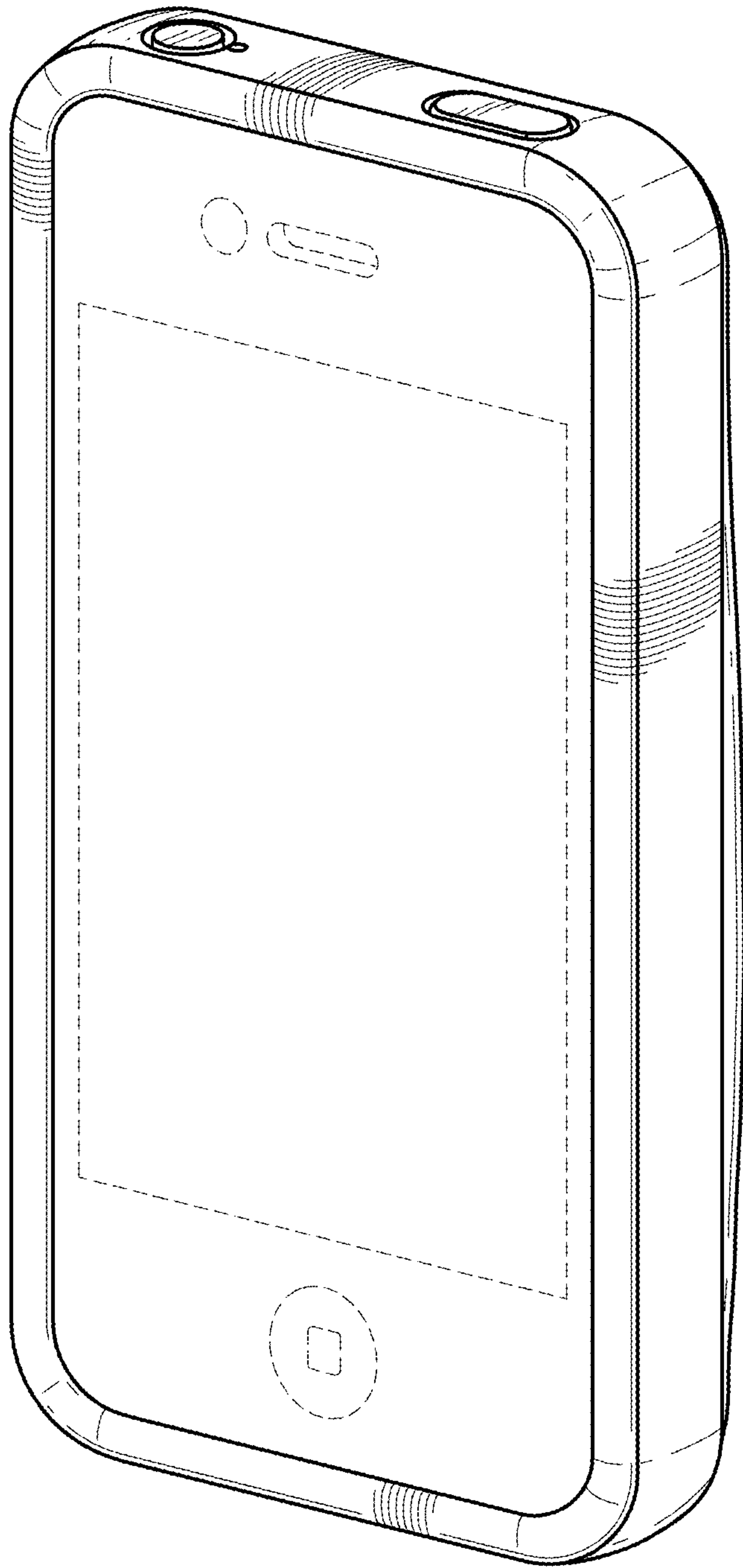
FIG. 8 is a top plan view thereof; and,

FIG. 9 is a bottom plan view thereof.

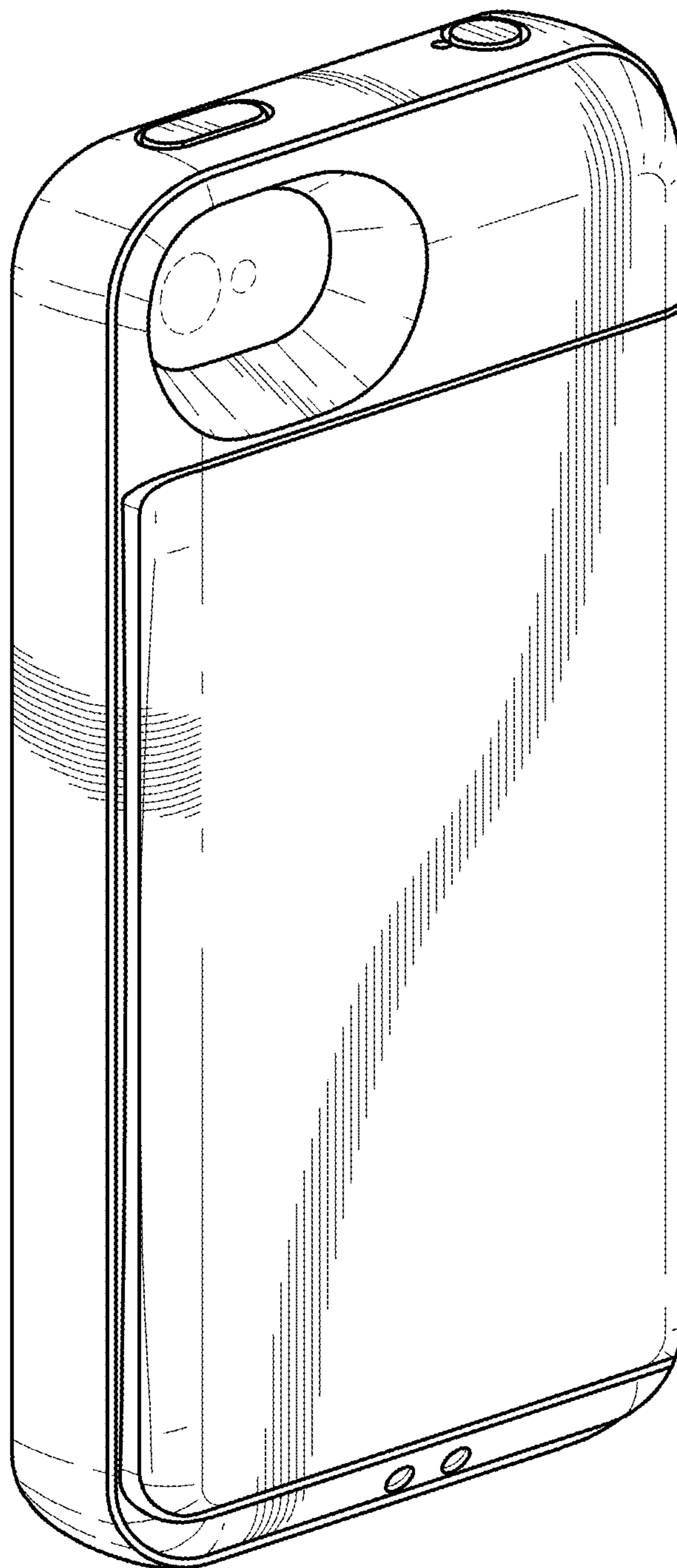
The broken lines showing of the environment in the drawings is for illustrative purposes only and forms no part of the claimed invention.

**1 Claim, 6 Drawing Sheets**

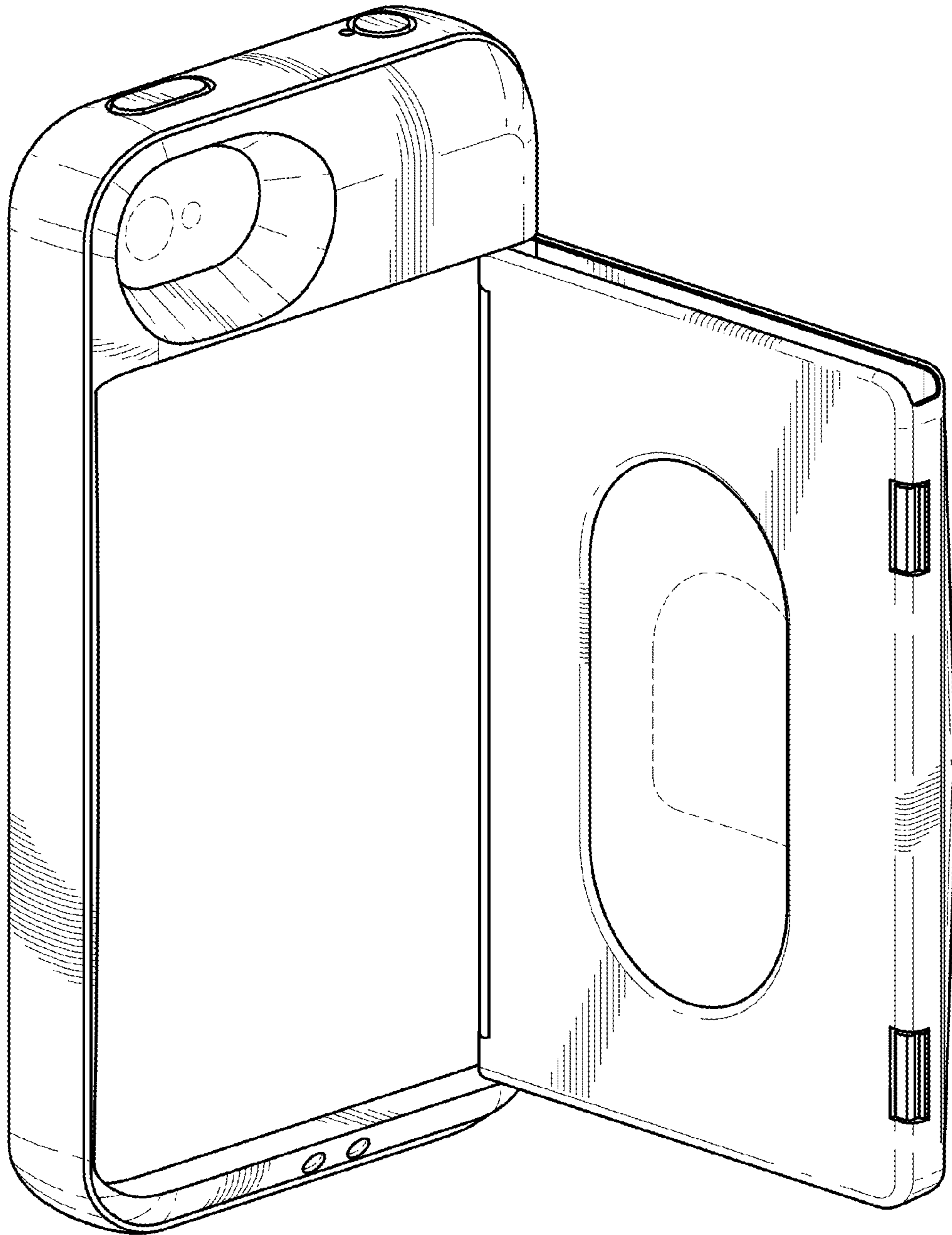




**FIG. 1**

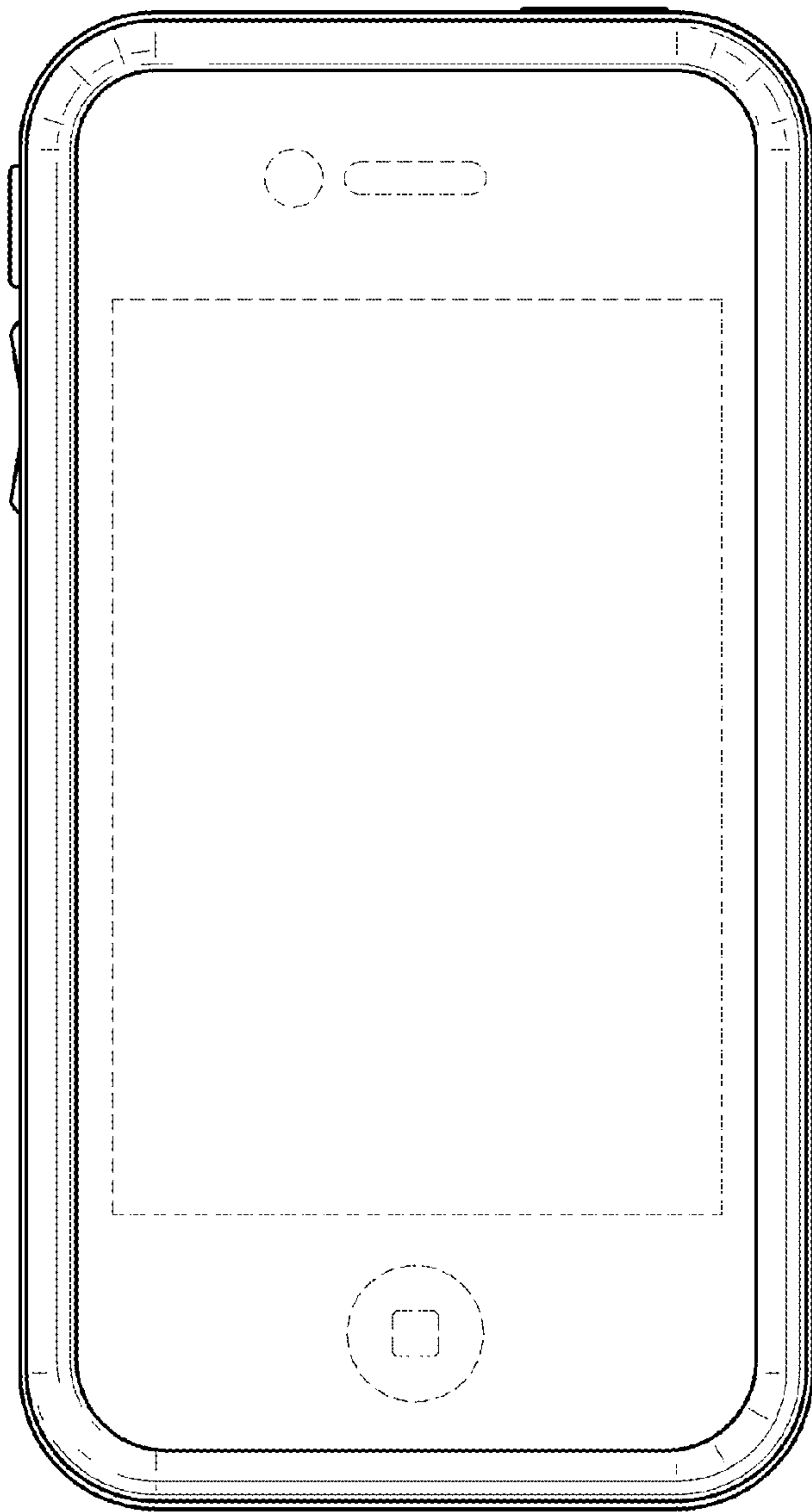


**FIG. 2**

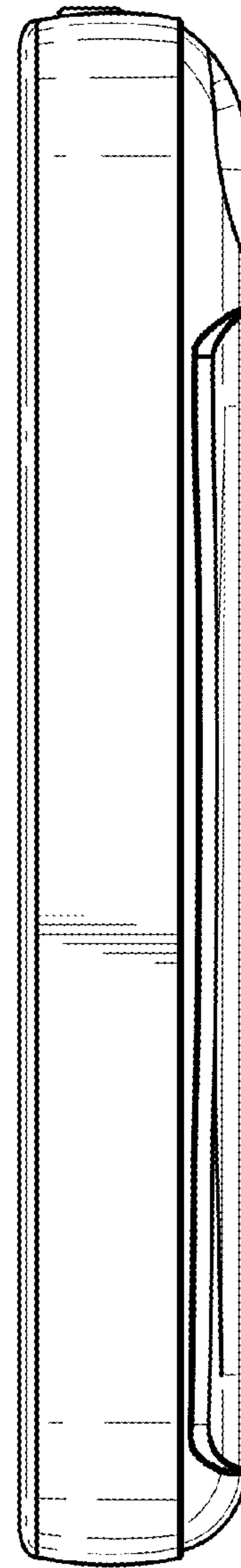


**FIG. 3**





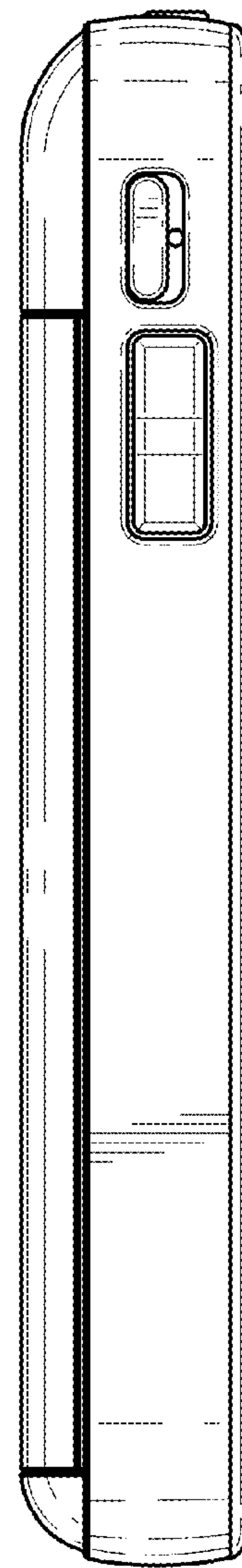
**FIG. 4**



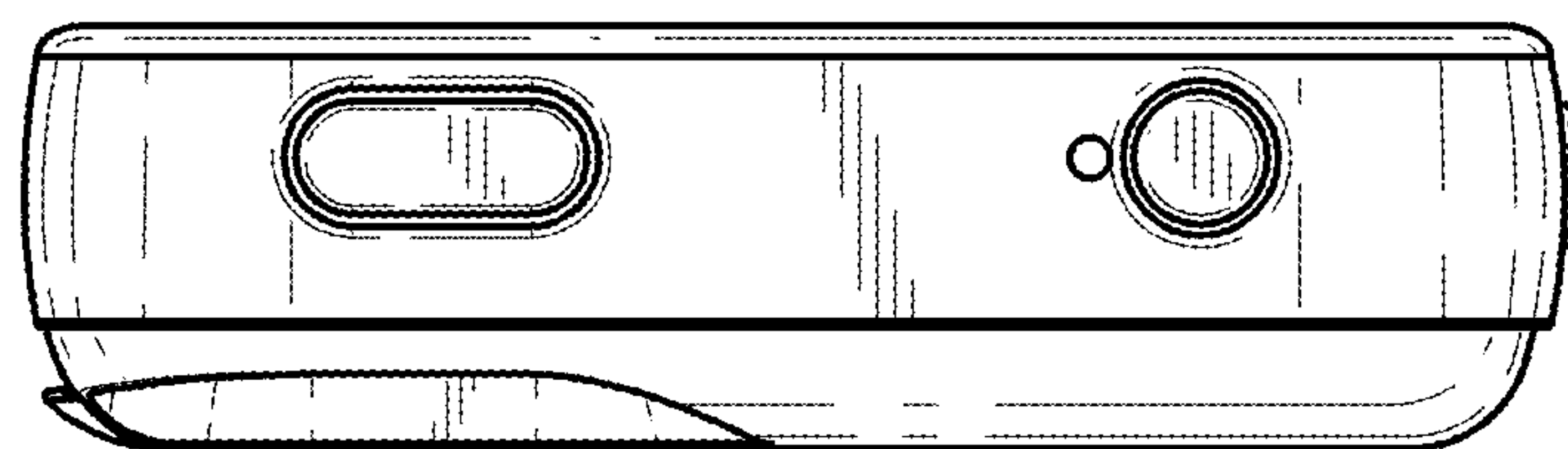
**FIG. 5**



**FIG. 6**



**FIG. 7**



*FIG. 8*



*FIG. 9*