



US00D703641S

(12) **United States Design Patent**
Xiang

(10) **Patent No.:** **US D703,641 S**

(45) **Date of Patent:** **** Apr. 29, 2014**

(54) **TV WALL MOUNT**

(56) **References Cited**

(71) Applicant: **Lehong Xiang**, Ningbo (CN)

U.S. PATENT DOCUMENTS

(72) Inventor: **Lehong Xiang**, Ningbo (CN)

D593,080	S	*	5/2009	Russell et al.	D14/239
D593,081	S	*	5/2009	Grolle et al.	D14/239
D624,061	S	*	9/2010	Smith et al.	D14/239
7,854,415	B2	*	12/2010	Holbrook et al.	248/125.2
7,891,622	B1	*	2/2011	O'Keene	248/292.13
D635,130	S	*	3/2011	Skull et al.	D14/239
D641,369	S	*	7/2011	Skull et al.	D14/452
8,235,341	B2	*	8/2012	Taylor	248/292.14
D668,641	S	*	10/2012	Luijben et al.	D14/239

(73) Assignee: **Loctek Visual Technology Corp.**,
Ningbo, Zhejiang (CN)

(**) Term: **14 Years**

* cited by examiner

(21) Appl. No.: **29/432,463**

Primary Examiner — Randall Gholson

(22) Filed: **Oct. 17, 2012**

(74) *Attorney, Agent, or Firm* — Kilpatrick Townsend &
Stockton LLP

(30) **Foreign Application Priority Data**

Apr. 28, 2012 (CN) 2012 3 0139957

(51) **LOC (10) Cl.** **14-03**

(57) **CLAIM**

(52) **U.S. Cl.**
USPC **D14/239**

The ornamental design for TV wall mount, as shown and
described.

(58) **Field of Classification Search**

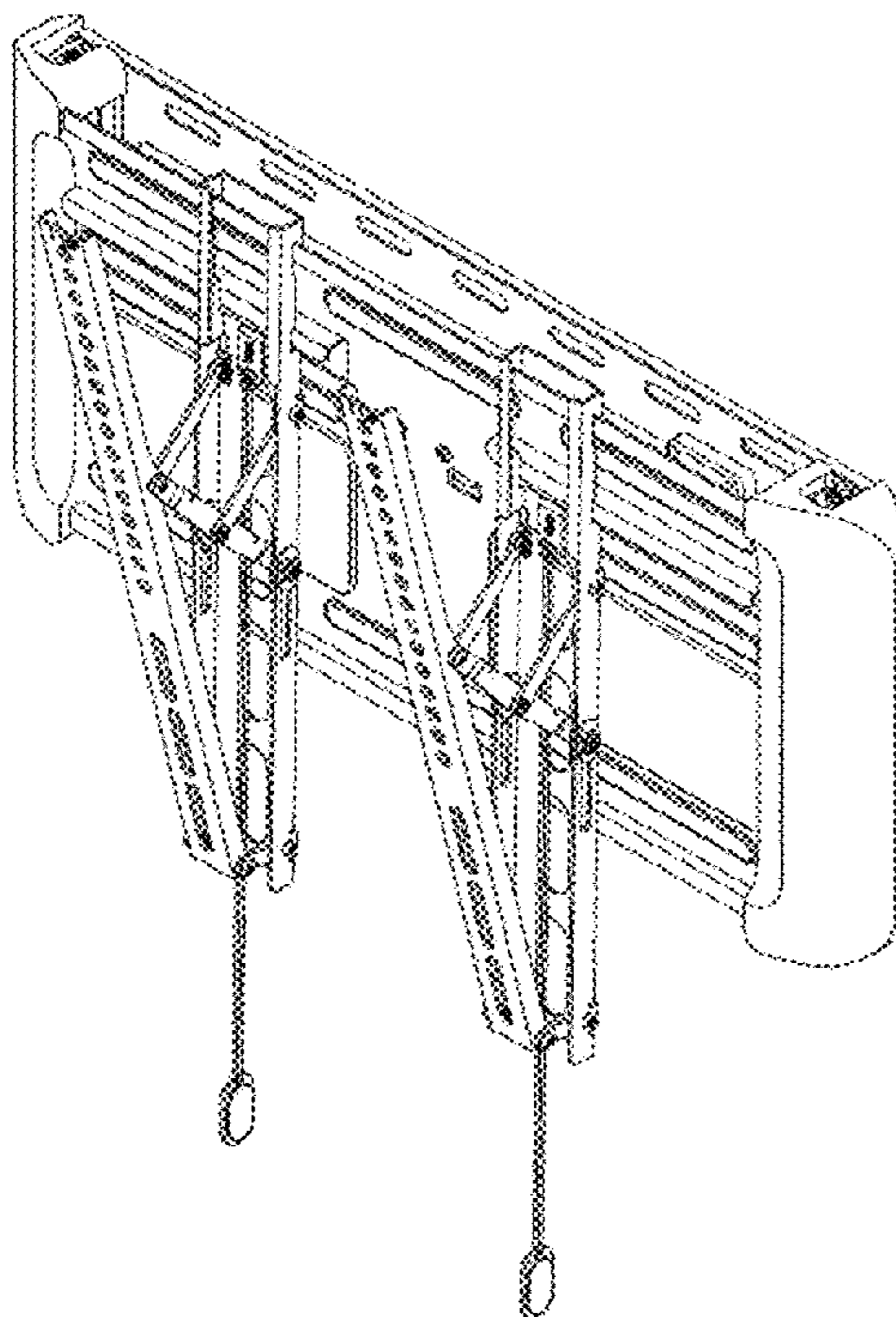
DESCRIPTION

USPC D14/239, 371, 136, 374-377; D8/363,
D8/373, 349, 394; 248/465, 917-924,
248/123.11; 348/825, 827, 836, 837, 838,
348/180, 184, 325, 739; 600/443;
D6/477-479, 407, 474, 460, 461, 468;
312/7.2; 341/12; 345/87, 104, 133,
345/156, 168, 169, 173; 720/605, 669, 600,
720/655; 369/99, 197; 455/344-347; 349/1,
349/2, 11, 62; 108/59, 91, 92, 96; 211/40,
211/41.12, 42, 49.1, 50, 85.2, 90.04, 187,
211/190, 119.003, 134.153, 87.01, 71.01

FIG. 1 is a perspective view a TV wall mount showing my
new design;
FIG. 2 is a top plan view thereof;
FIG. 3 is a front elevational view thereof;
FIG. 4 is a right side elevational view thereof;
FIG. 5 is a rear elevational view thereof;
FIG. 6 is a bottom plan view thereof; and,
FIG. 7 is a left side elevational view thereof.

See application file for complete search history.

1 Claim, 7 Drawing Sheets



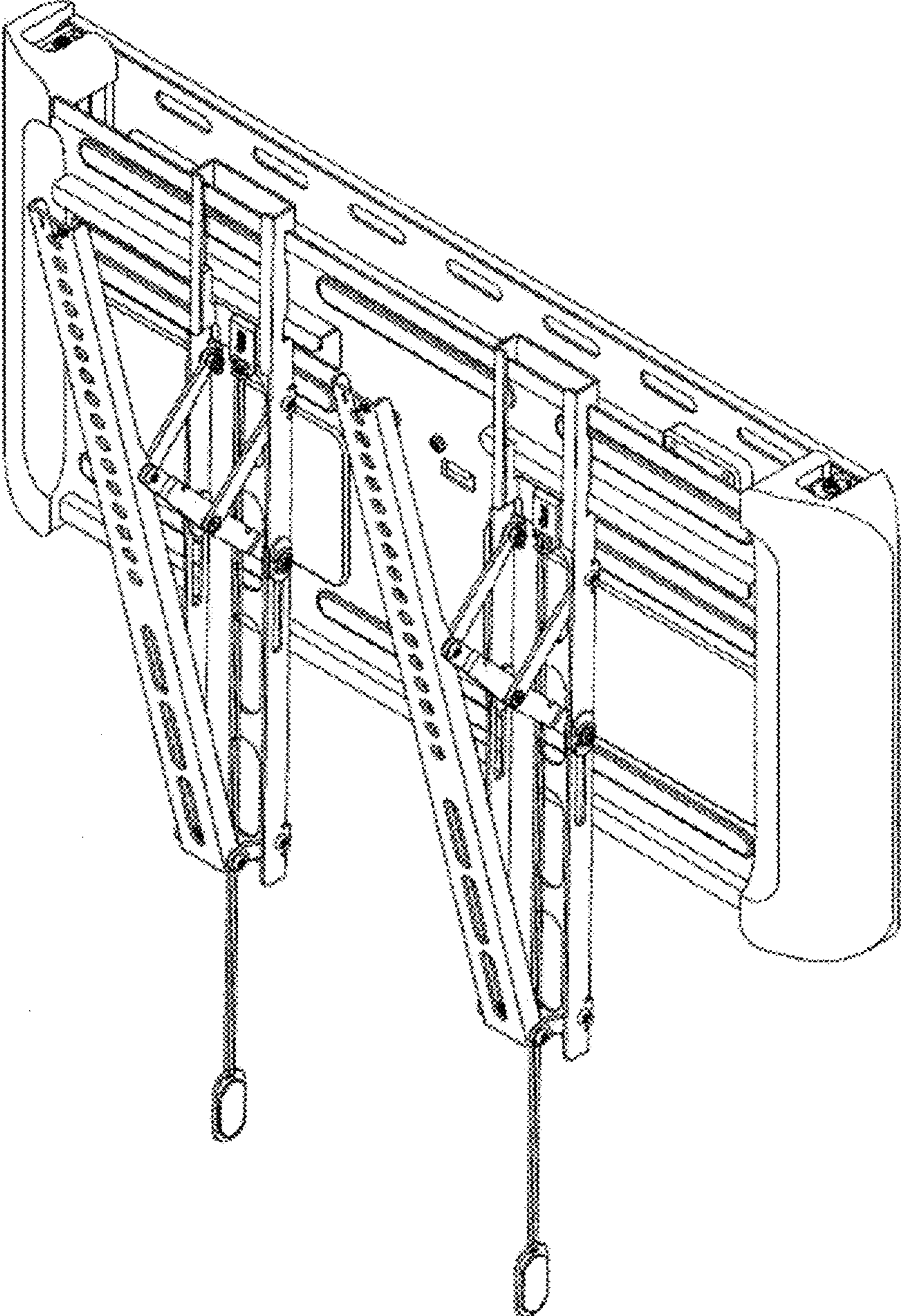


Fig. 1

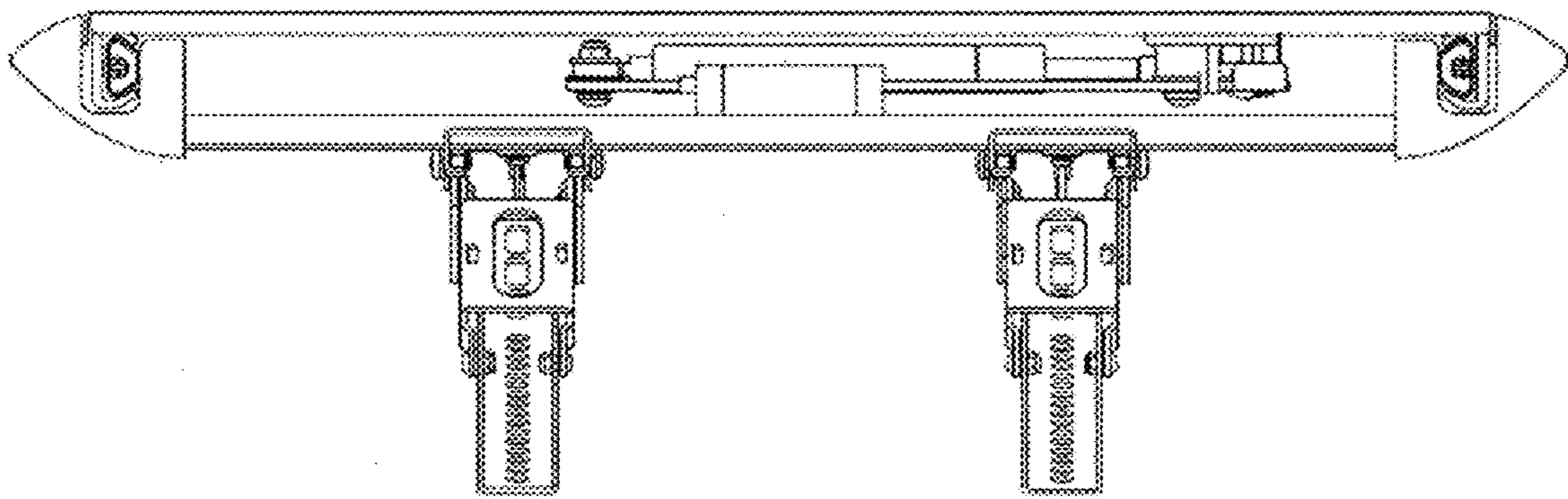


Fig. 2

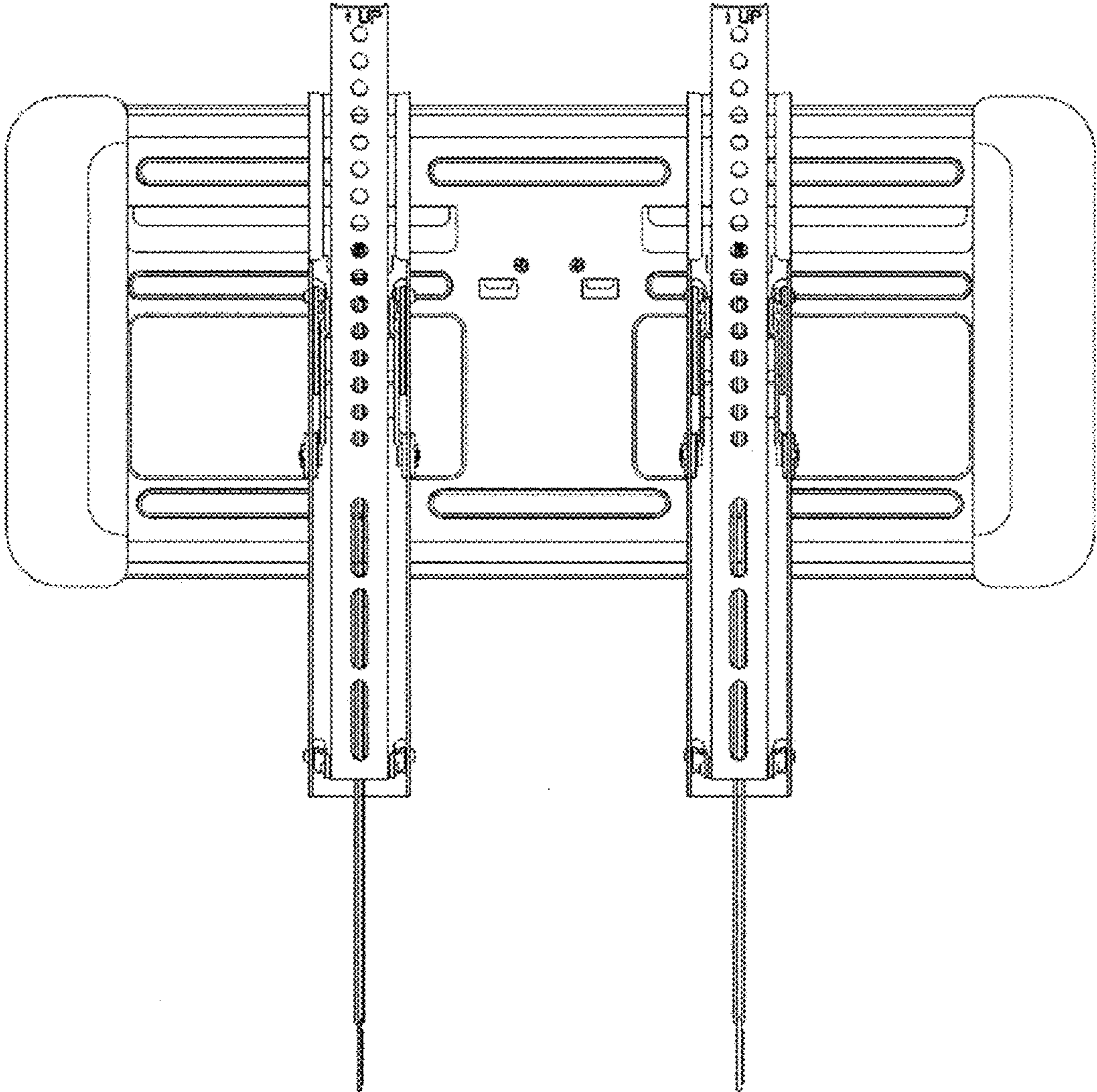


Fig. 3

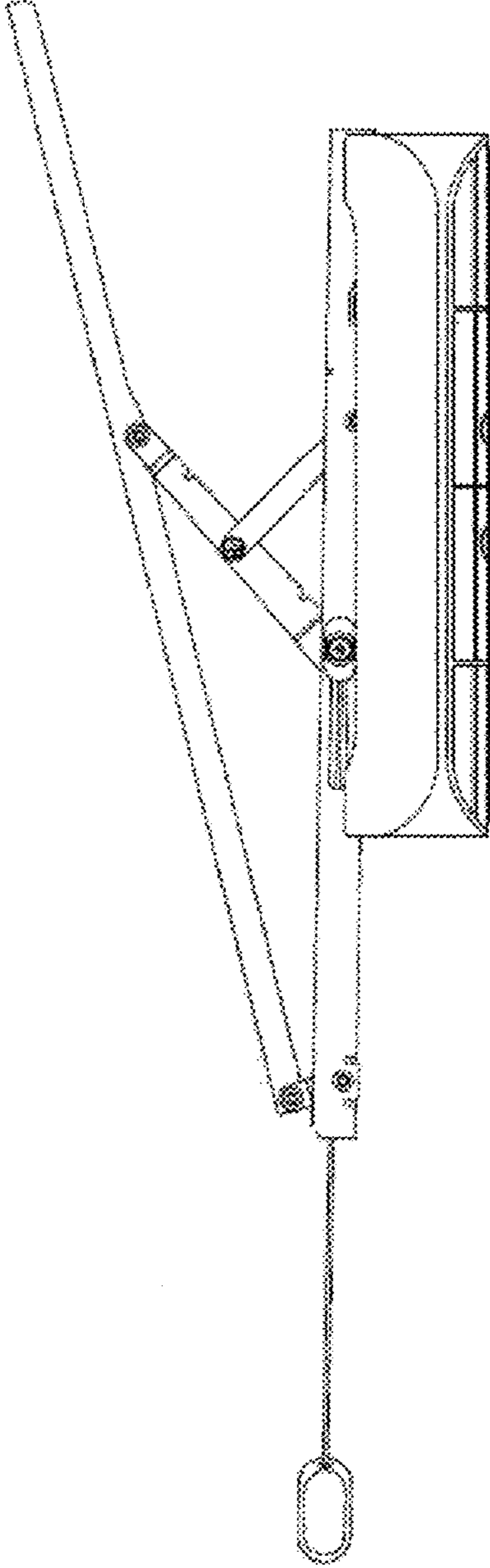


Fig. 4

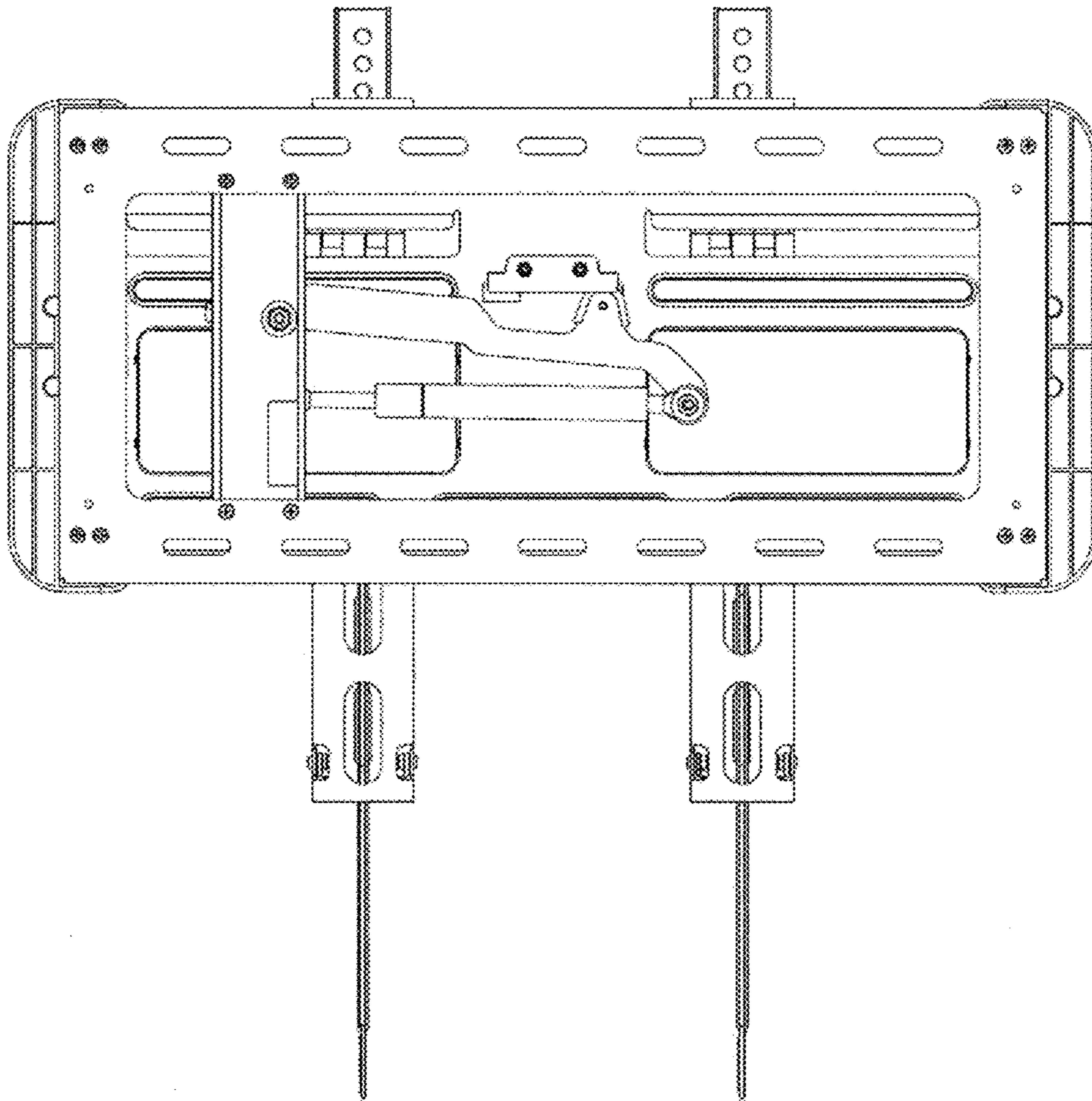


Fig. 5

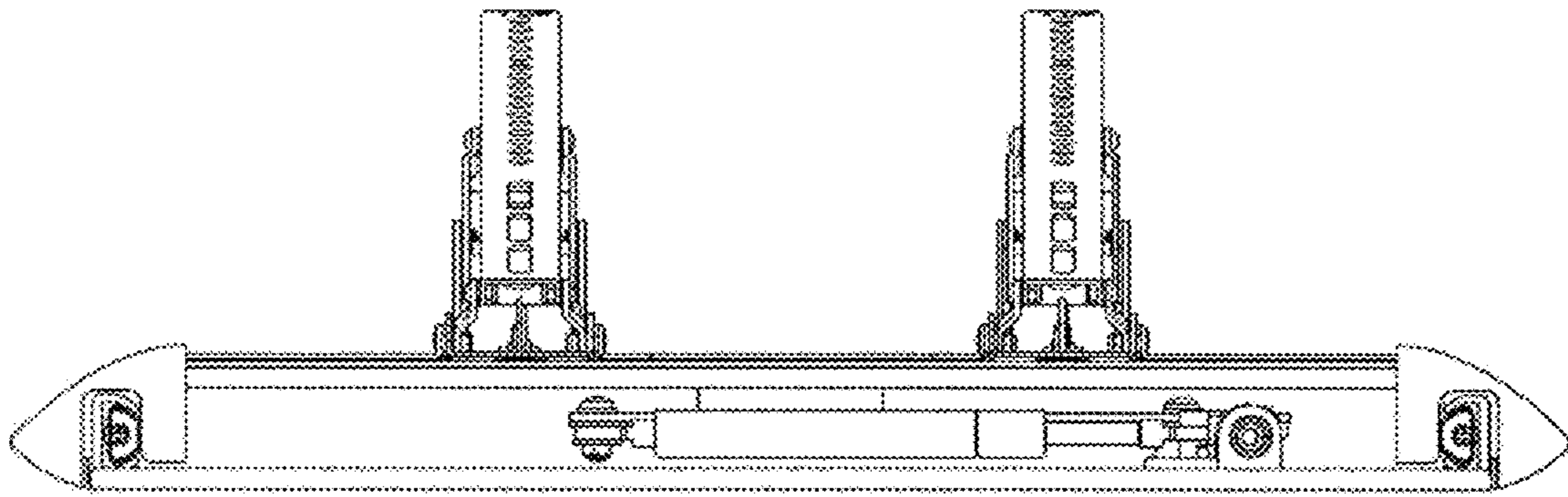


Fig. 6

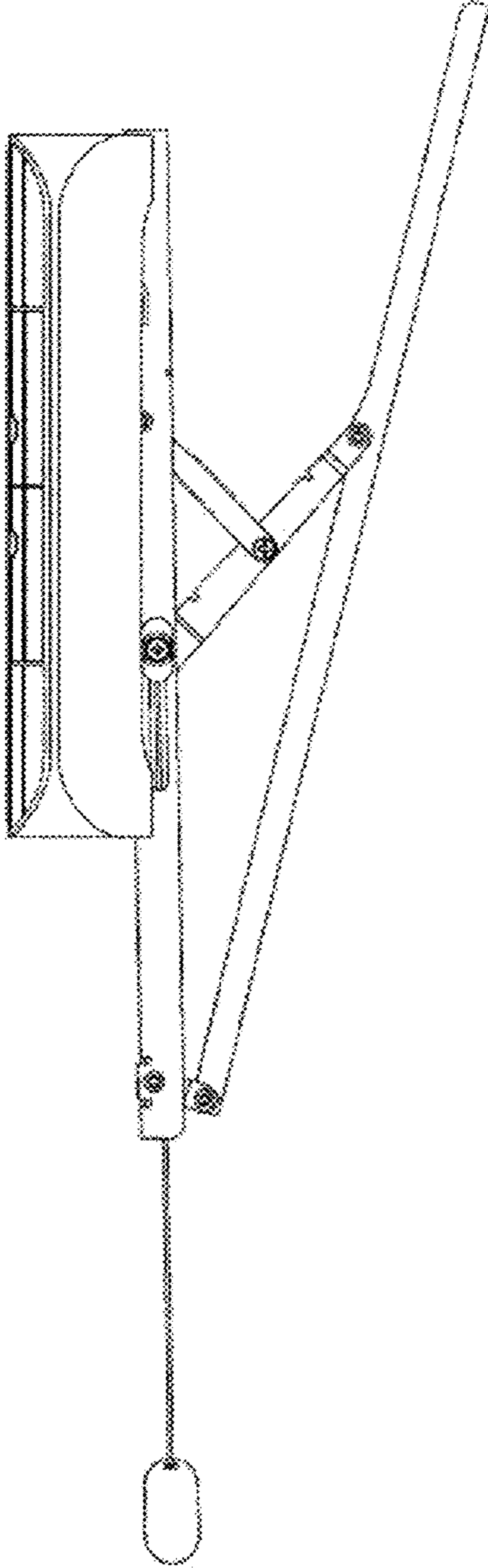


Fig. 7