



US00D703633S

(12) **United States Design Patent**  
**Akana et al.**

(10) **Patent No.:** **US D703,633 S**

(45) **Date of Patent:** **\*\* Apr. 29, 2014**

(54) **FRONT COVER OF AN ELECTRONIC DEVICE**

(71) Applicant: **Apple Inc.**, Cupertino, CA (US)

(72) Inventors: **Jody Akana**, San Francisco, CA (US); **Bartley K. Andre**, Menlo Park, CA (US); **Jeremy Bataillou**, San Francisco, CA (US); **Daniel J. Coster**, San Francisco, CA (US); **Daniele De Iuliis**, San Francisco, CA (US); **Richard Hung Minh Dinh**, San Jose, CA (US); **M. Evans Hankey**, San Francisco, CA (US); **Richard P. Howarth**, San Francisco, CA (US); **Jonathan P. Ive**, San Francisco, CA (US); **Steve Jobs**, Palo Alto, CA (US); **Duncan Robert Kerr**, San Francisco, CA (US); **Scott A. Myers**, San Francisco, CA (US); **Shin Nishibori**, Kailua, HI (US); **David A. Pakula**, San Francisco, CA (US); **Matthew Dean Rohrbach**, San Francisco, CA (US); **Peter Russell-Clarke**, San Francisco, CA (US); **Christopher J. Stringer**, Woodside, CA (US); **Tang Yew Tan**, San Francisco, CA (US); **Eugene Antony Whang**, San Francisco, CA (US); **Rico Zörkendörfer**, San Francisco, CA (US)

(73) Assignee: **Apple Inc.**, Cupertino, CA (US)

(\*\*) Term: **14 Years**

(21) Appl. No.: **29/449,812**

(22) Filed: **Mar. 15, 2013**

**Related U.S. Application Data**

(63) Continuation of application No. 29/426,218, filed on Jul. 2, 2012, now Pat. No. Des. 678,261, which is a continuation of application No. 29/376,156, filed on Oct. 1, 2010, now Pat. No. Des. 662,922.

(51) **LOC (10) Cl.** ..... **14-03**

(52) **U.S. Cl.**

USPC ..... **D14/138 R**

(58) **Field of Classification Search**

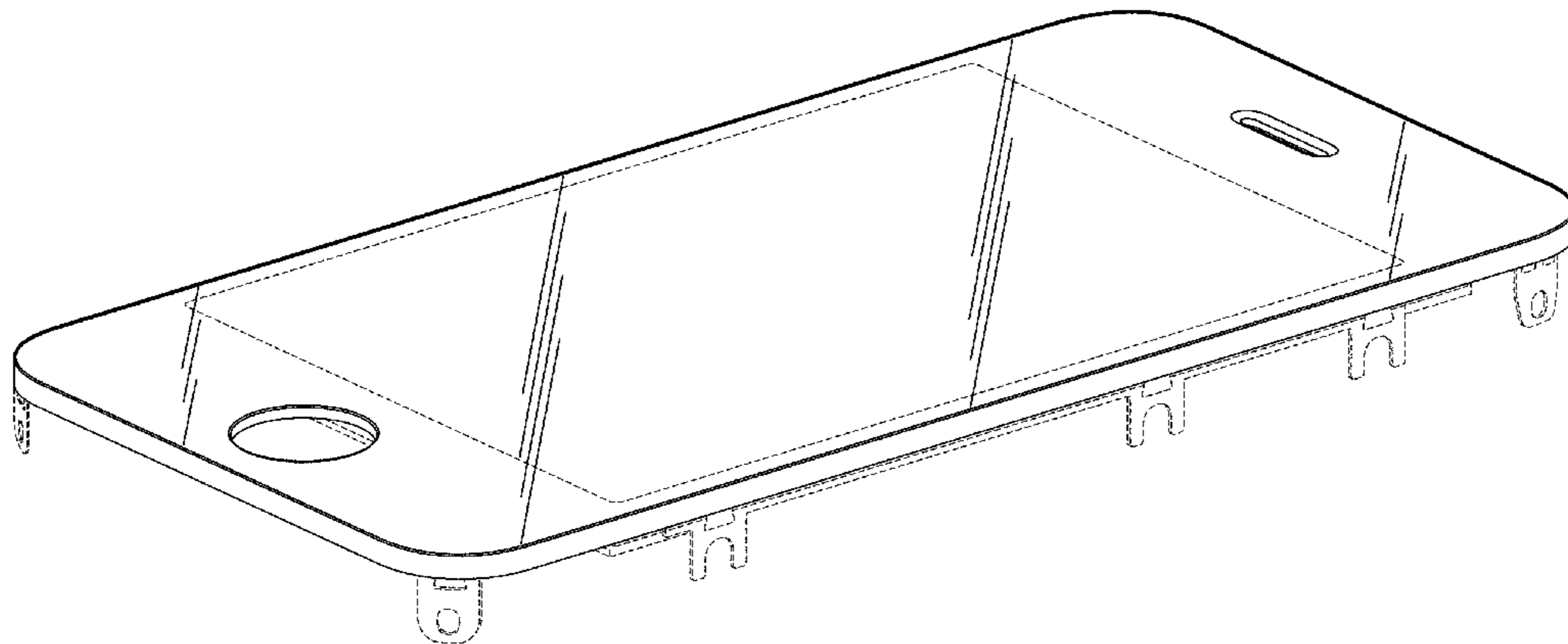
USPC ..... D14/341-347, 137, 138, 138.1, 138 AA, D14/138 R, 138 AB, 138 AC, 138 AD, 138 C, D14/138 G, 496, 203.1, 203.3, 203.4, 203.5, D14/203.6, 203.7, 426, 427, 428, 432, 429, D14/129, 130, 420, 439-441, 448, 125, 147, D14/156, 218, 247-248, 250, 389; D10/65, D10/104; D18/6-7; D21/29, 686, 33, 324, D21/329, 330; D6/596, 601, 605; D19/60; 455/556.1, 556.2, 566, 575.1, 575.3, 455/575.4, 90.3, 6.1; 379/433.04, 433.07, 379/433.11, 433.12, 433.13, 910, 916, 379/433.01, 433.06; 345/169, 901, 905; 348/169; 361/814; 341/122; 346/173

See application file for complete search history.

(56) **References Cited**

**U.S. PATENT DOCUMENTS**

4,791,608 A	12/1988	Fushimoto
D304,448 S	11/1989	De La Cruz et al.
D306,583 S	3/1990	Krolopp et al.
D345,346 S	3/1994	Alfonso et al.
D485,265 S	1/2004	Sato et al.
D498,754 S	11/2004	Blyth
D528,542 S	9/2006	Luminosu et al.
D534,143 S	12/2006	Lheem
D535,281 S	1/2007	Yang
D539,815 S	4/2007	Lai et al.
D548,732 S	8/2007	Cebe et al.
7,303,424 B2	12/2007	Tu et al.
D558,726 S	1/2008	Wang et al.
D560,683 S	1/2008	Lee
D561,782 S	2/2008	Kim
D562,285 S	2/2008	Lim
D563,432 S	3/2008	Kim
D567,819 S	4/2008	Devericks et al.
D569,629 S	5/2008	Yu et al.
7,409,059 B2	8/2008	Fujisawa
D580,387 S	11/2008	Andre et al.
D581,385 S	11/2008	Park et al.
D581,922 S	12/2008	Andre et al.
D583,346 S	12/2008	Jung et al.
D586,387 S	2/2009	Aznoe et al.
D593,087 S	5/2009	Andre et al.
D602,014 S	10/2009	Andre et al.



D602,015	S	10/2009	Andre et al.	
D602,488	S	10/2009	Jiang et al.	
D604,297	S	* 11/2009	Andre et al.	..... D14/341
7,660,560	B2	2/2010	Zuo et al.	
D613,735	S	4/2010	Andre et al.	
D618,278	S	6/2010	Andre et al.	
7,796,381	B2	9/2010	Zuo et al.	
7,855,884	B2	12/2010	Dong	
7,876,274	B2	1/2011	Hobson et al.	
D633,493	S	3/2011	Akana et al.	
D633,908	S	3/2011	Akana et al.	
D656,495	S	3/2012	Andre et al.	
8,241,777	B2	8/2012	Dong et al.	
8,249,679	B2	8/2012	Cui et al.	
8,254,104	B2	8/2012	Wu et al.	
8,254,116	B2	8/2012	Wu et al.	
8,254,118	B2	8/2012	Liu	
8,256,612	B1	9/2012	Wang	
8,259,443	B2	9/2012	Wu et al.	
2004/0223004	A1	11/2004	Lincke et al.	
2005/0130715	A1	6/2005	Fujisawa	
2007/0082718	A1	4/2007	Yoon et al.	
2009/0067141	A1	3/2009	Dabov et al.	
2009/0245565	A1	10/2009	Mittleman et al.	
2009/0247244	A1	10/2009	Mittleman et al.	
2010/0105452	A1	4/2010	Shin et al.	

FOREIGN PATENT DOCUMENTS

EM 000569157-0005 5/2006

OTHER PUBLICATIONS

Co-pending U.S. Appl. No. 29/363,167, Inventors Jody Akana, et al., filed Jun. 5, 2010 (Not published).  
 Co-pending U.S. Appl. No. 29/379,707, Inventors Jody Akana, et al., filed Nov. 23, 2010 (Not published).  
 Co-pending U.S. Appl. No. 29/385,079, Inventors Jody Akana et al., filed Feb. 8, 2011 (Not published).

HP Compaq Tablet PC TC1000, <http://www.hardwarezone.com.au/reviews/view.php?cid=45&id=533&pg=2>. Downloaded Apr. 20, 2010, 1page. (Updated URL: [http://2009.hardwarezone.com/img/data/articles/20002/533/Evo\\_JamesHand01.jpg](http://2009.hardwarezone.com/img/data/articles/20002/533/Evo_JamesHand01.jpg)).

\* cited by examiner

*Primary Examiner* — Randall Gholson  
 (74) *Attorney, Agent, or Firm* — Sterne, Kessler, Goldstein & Fox PLLC

(57) **CLAIM**

The ornamental design for a front cover of an electronic device, as shown and described.

**DESCRIPTION**

FIG. 1 is a bottom front perspective view of a front cover of an electronic device showing our new design;  
 FIG. 2 is a front view thereof;  
 FIG. 3 is a rear view thereof;  
 FIG. 4 is a left side view thereof;  
 FIG. 5 is a right side view thereof;  
 FIG. 6 is a bottom view thereof; and,  
 FIG. 7 is a top rear perspective view thereof.

The shade lines in the Figures show transparency and not surface ornamentation.

The broken lines in the Figures show portions of the front cover of an electronic device which form no part of the claimed design.

**1 Claim, 6 Drawing Sheets**

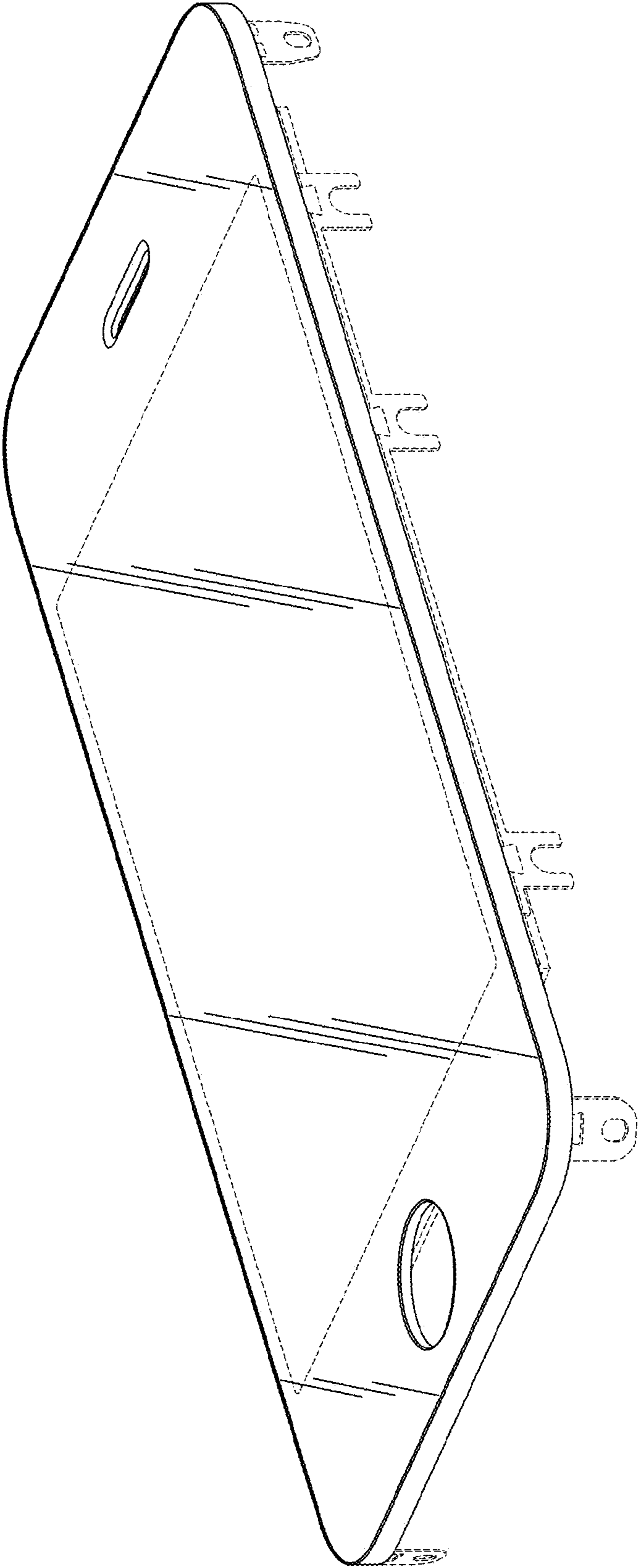


FIG. 1

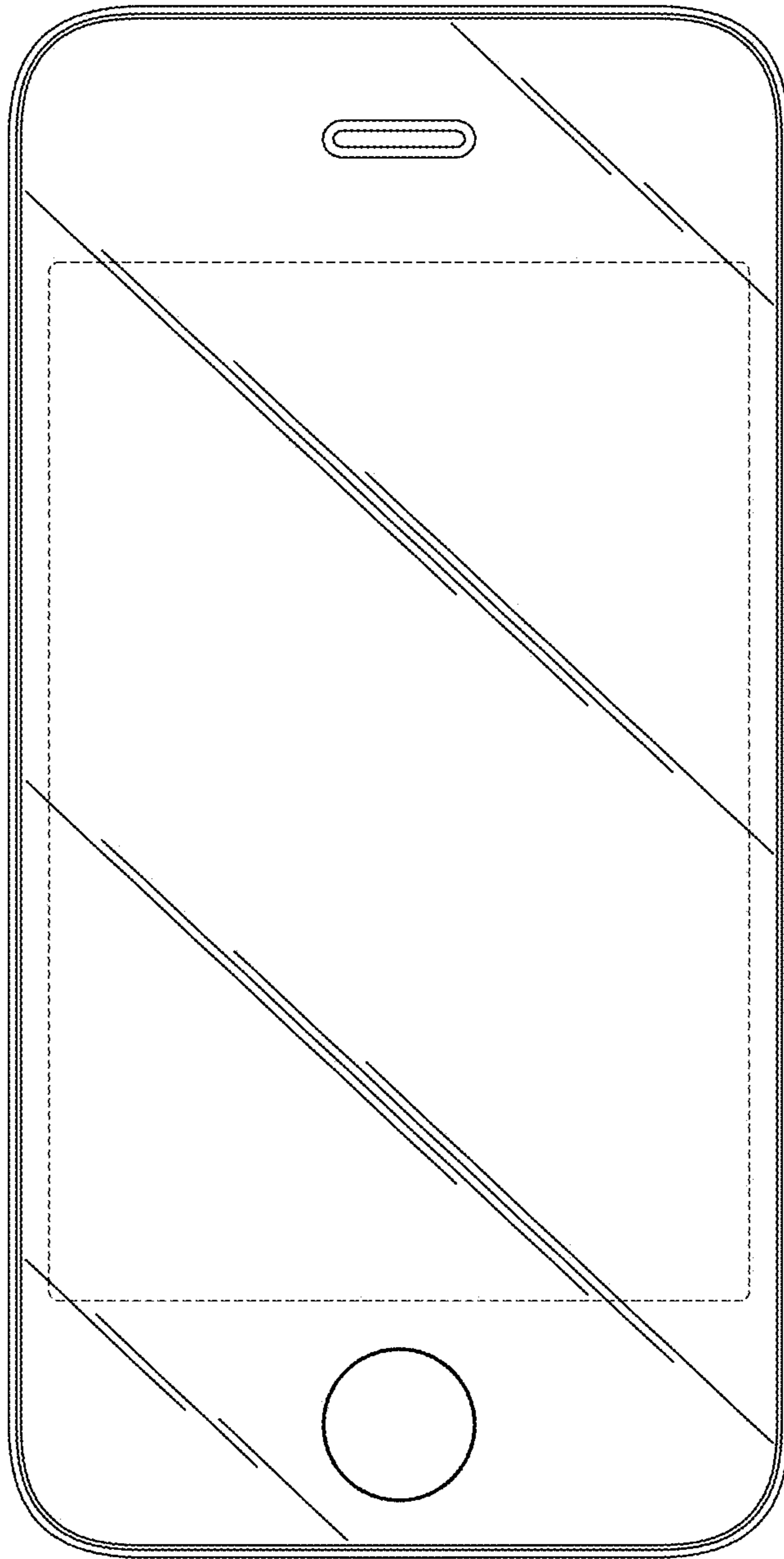


FIG. 2

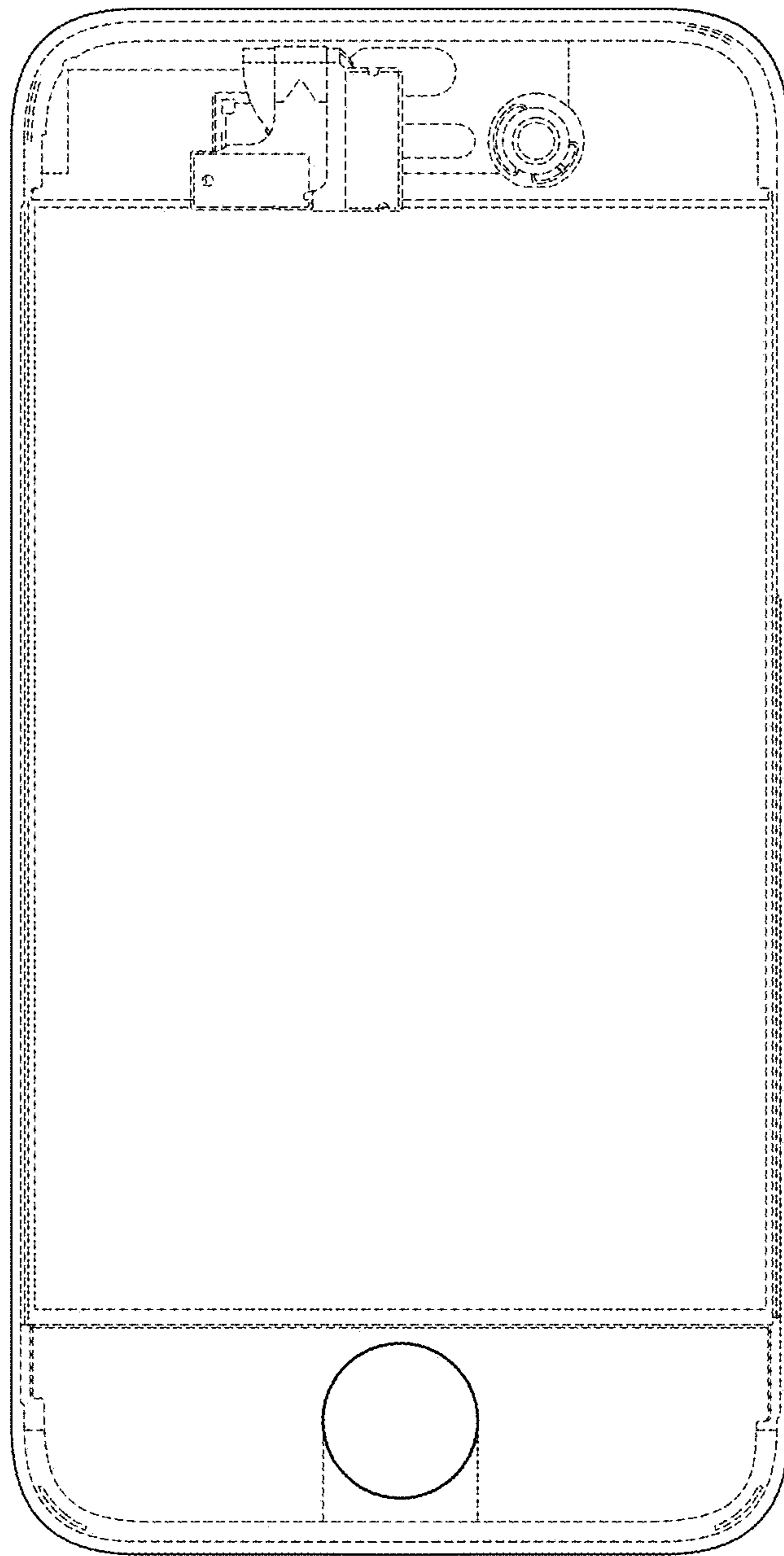


FIG. 3

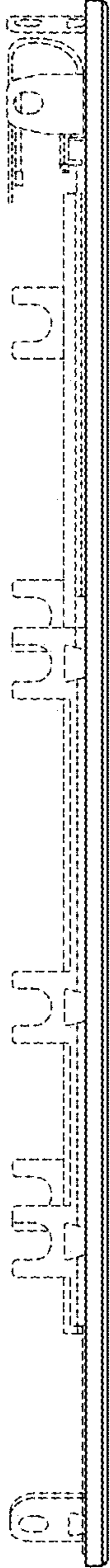


FIG. 4

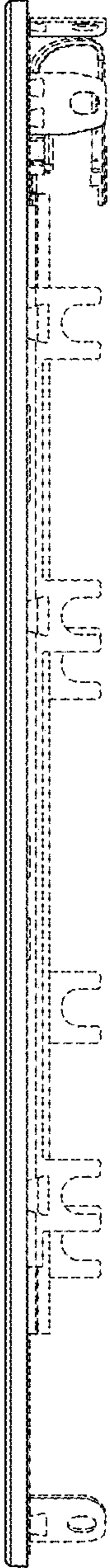


FIG. 5

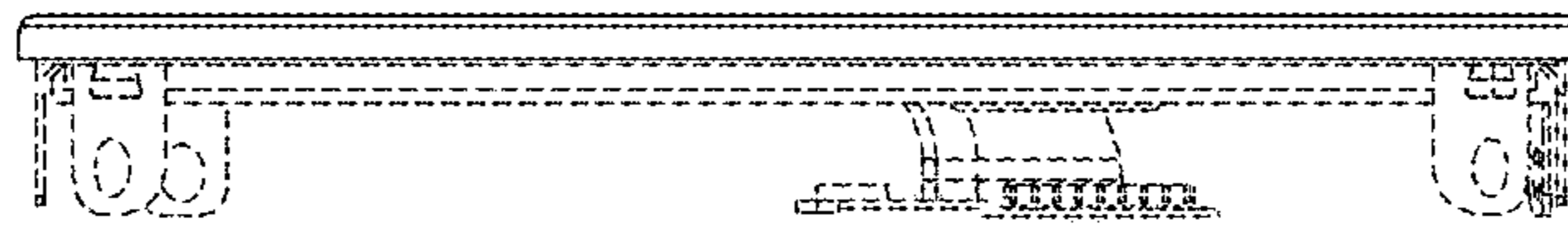


FIG. 6

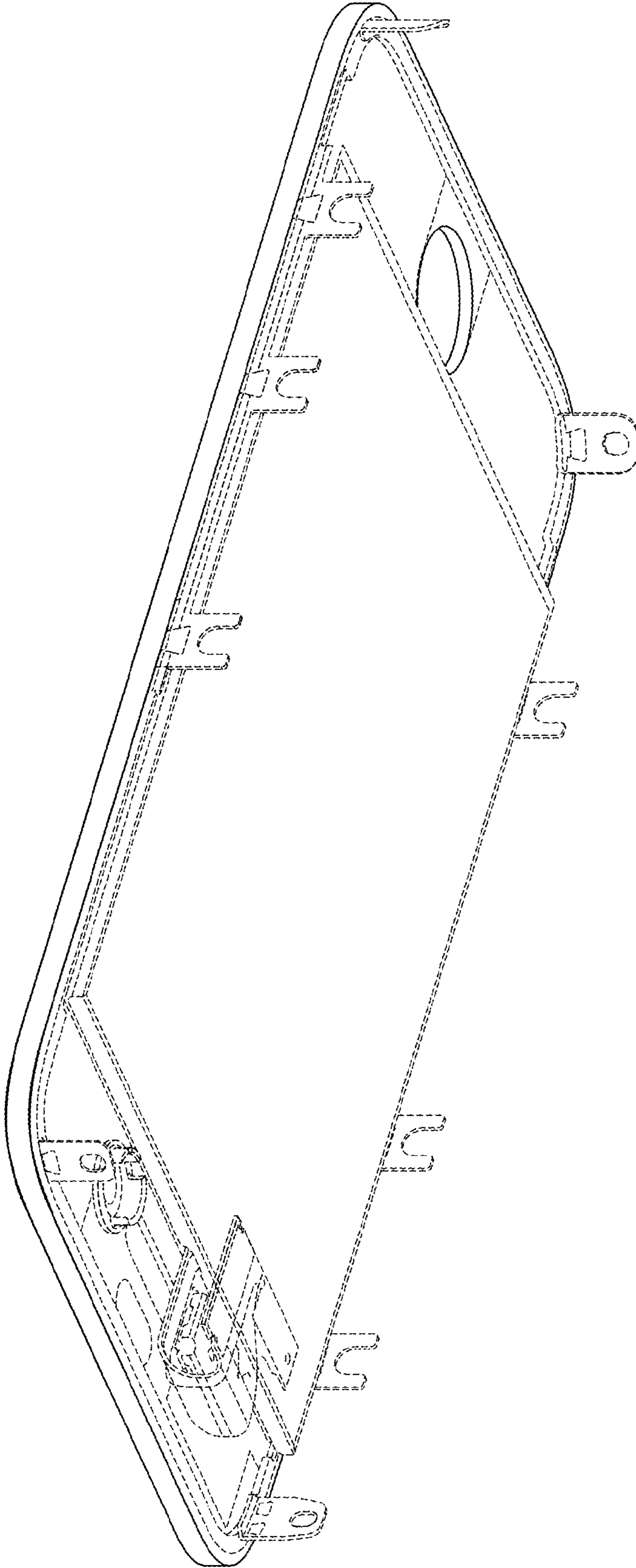


FIG. 7