



US00D703631S

(12) **United States Design Patent**  
**Hallar et al.**

(10) **Patent No.:** **US D703,631 S**  
(45) **Date of Patent:** **\*\* Apr. 29, 2014**

(54) **ALL-IN-ONE INFORMATION HANDLING SYSTEM**

(71) Applicant: **Dell Products L.P.**, Round Rock, TX (US)

(72) Inventors: **James H Hallar**, Austin, TX (US); **Wai Lim Chan**, Singapore (SG)

(73) Assignee: **Dell Products L.P.**, Round Rock, TX (US)

(\*\*) Term: **14 Years**

(21) Appl. No.: **29/468,397**

(22) Filed: **Sep. 30, 2013**

(51) **LOC (10) Cl.** ..... **14-03**

(52) **U.S. Cl.**  
USPC ..... **D14/129**; D14/126

(58) **Field of Classification Search**  
USPC ..... D14/125-134, 239, 371, 136, 374-377, D14/440, 450, 448, 336, 342, 159; 312/7.2; 348/836, 838, 180, 184, 325, 739; 341/12; 248/917-924, 465; 345/104, 345/133, 156, 168, 87, 173; 720/605, 669, 720/600, 655; 369/99, 197; D21/329, 515, D21/577, 622, 333, 433, 448, 452, 450, 331, D21/505; D6/477, 479, 300; 273/148 B; 446/484, 175, 356; D10/15, 26  
See application file for complete search history.

(56) **References Cited**

**U.S. PATENT DOCUMENTS**

4,729,533 A \* 3/1988 Hillary et al. .... 248/184.1  
6,015,120 A \* 1/2000 Sweere et al. .... 248/123.11

|                |         |            |       |         |
|----------------|---------|------------|-------|---------|
| D512,424 S *   | 12/2005 | Kim        | ..... | D14/375 |
| D537,079 S *   | 2/2007  | Park       | ..... | D14/375 |
| 7,258,311 B2 * | 8/2007  | Yen et al. | ..... | 248/133 |
| D592,621 S *   | 5/2009  | Han        | ..... | D14/126 |
| D616,401 S *   | 5/2010  | Choi       | ..... | D14/126 |
| D631,042 S *   | 1/2011  | Chen       | ..... | D14/337 |
| D642,145 S *   | 7/2011  | Kim et al. | ..... | D14/126 |
| D649,947 S *   | 12/2011 | Won et al. | ..... | D14/126 |
| D657,791 S *   | 4/2012  | Kim et al. | ..... | D14/374 |
| D682,797 S *   | 5/2013  | Lee et al. | ..... | D14/126 |
| D684,944 S *   | 6/2013  | Seong      | ..... | D14/126 |

\* cited by examiner

*Primary Examiner* — Raphael Barkai

(74) *Attorney, Agent, or Firm* — Terrile, Cannatti, Chambers & Holland, LLP; Stephen A. Terrile

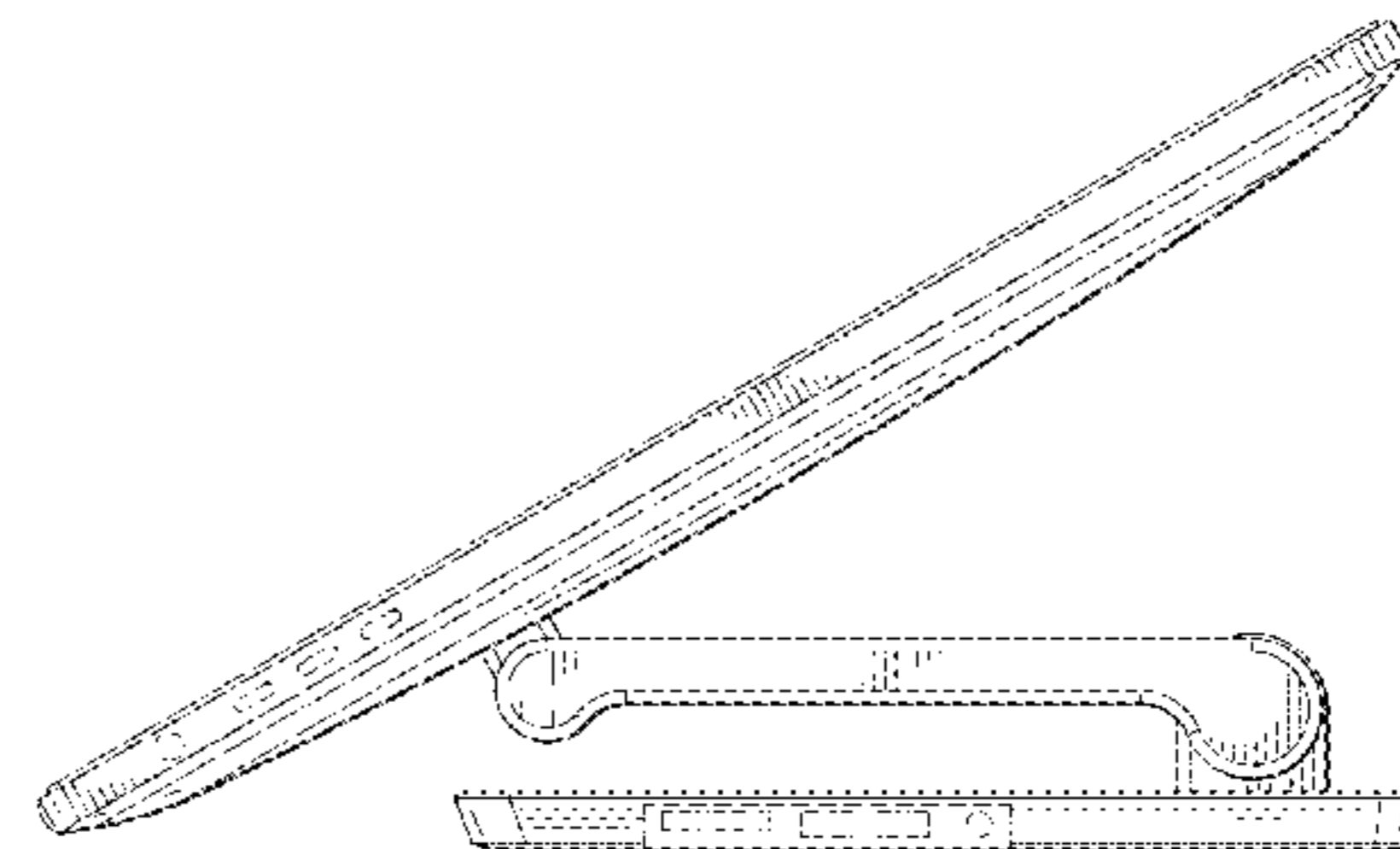
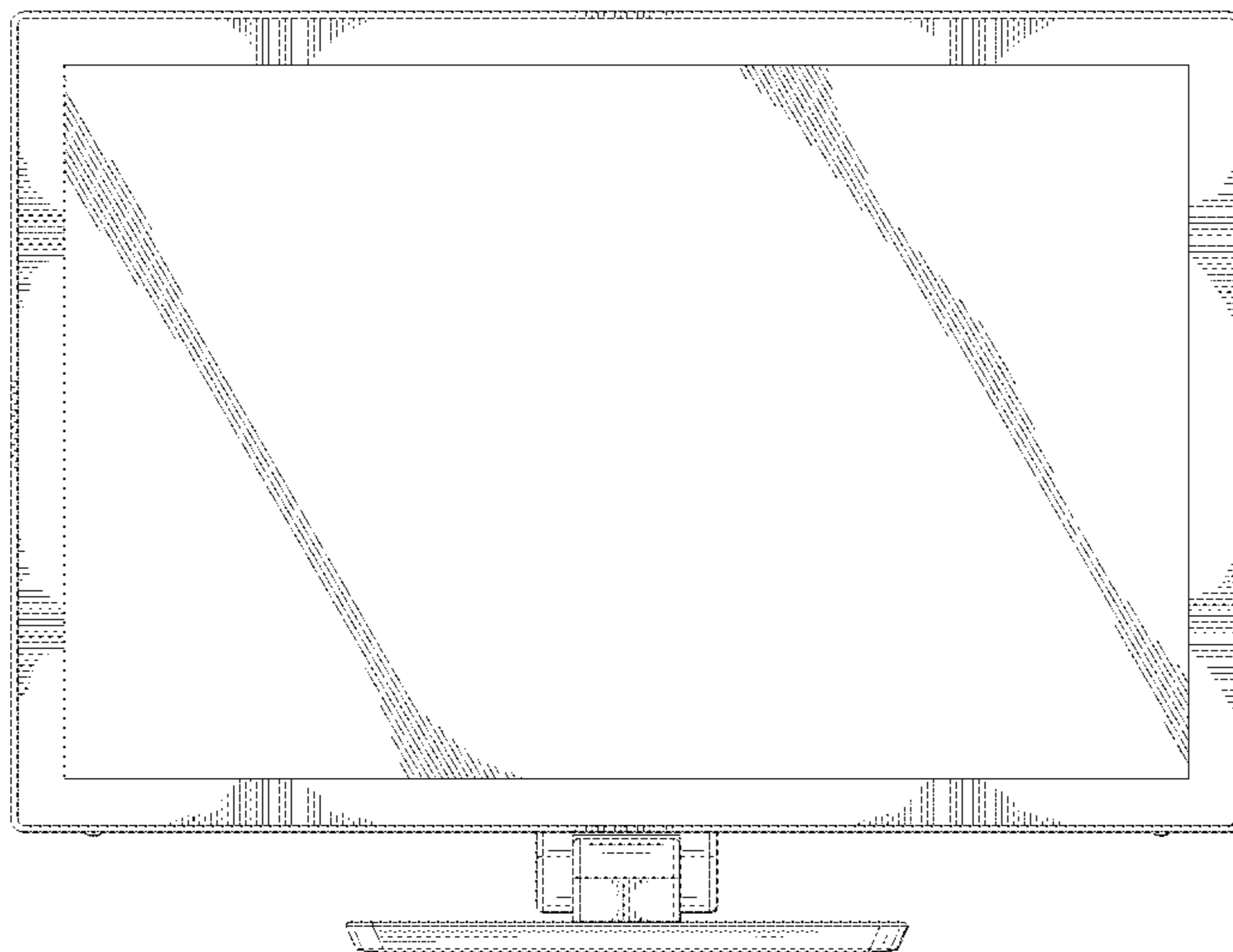
(57) **CLAIM**

We claim the ornamental design for an all-in-one information handling system, as shown and described.

**DESCRIPTION**

FIG. 1 is a front perspective view of the all-in-one information handling system comprising the present invention; FIG. 2 is a front view thereof; FIG. 3 is a rear view thereof; FIG. 4 is a left side view thereof; FIG. 5 is a right side view thereof; FIG. 6 is a top view thereof; FIG. 7 is a bottom view thereof; FIG. 8 is a rear perspective view thereof; FIG. 9 is another left side view thereof; and, FIG. 10 is another left side view thereof. Broken lines shown in the drawings illustrate portions of the all-in-one information handling system, and form no part of the claimed design.

**1 Claim, 8 Drawing Sheets**



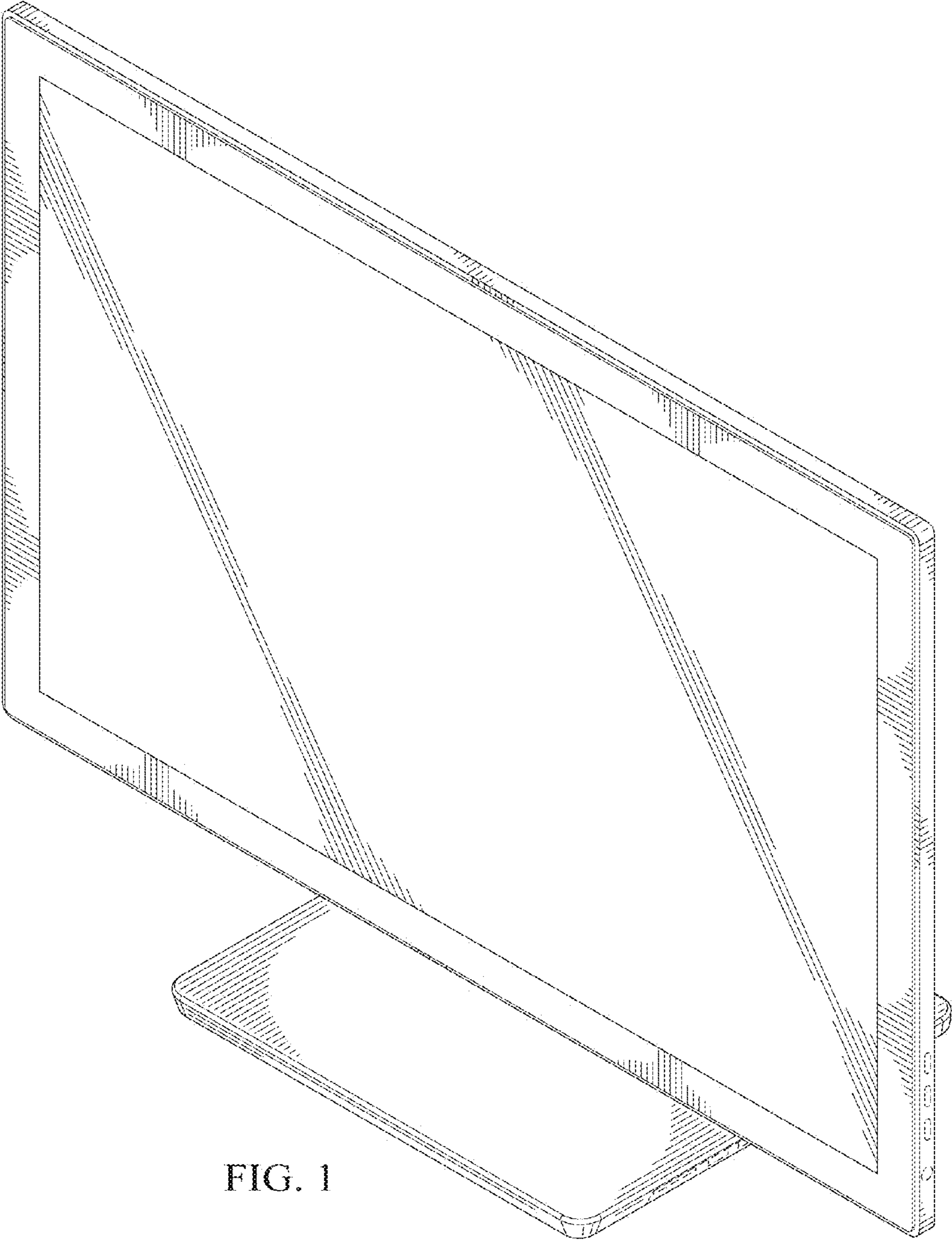


FIG. 1

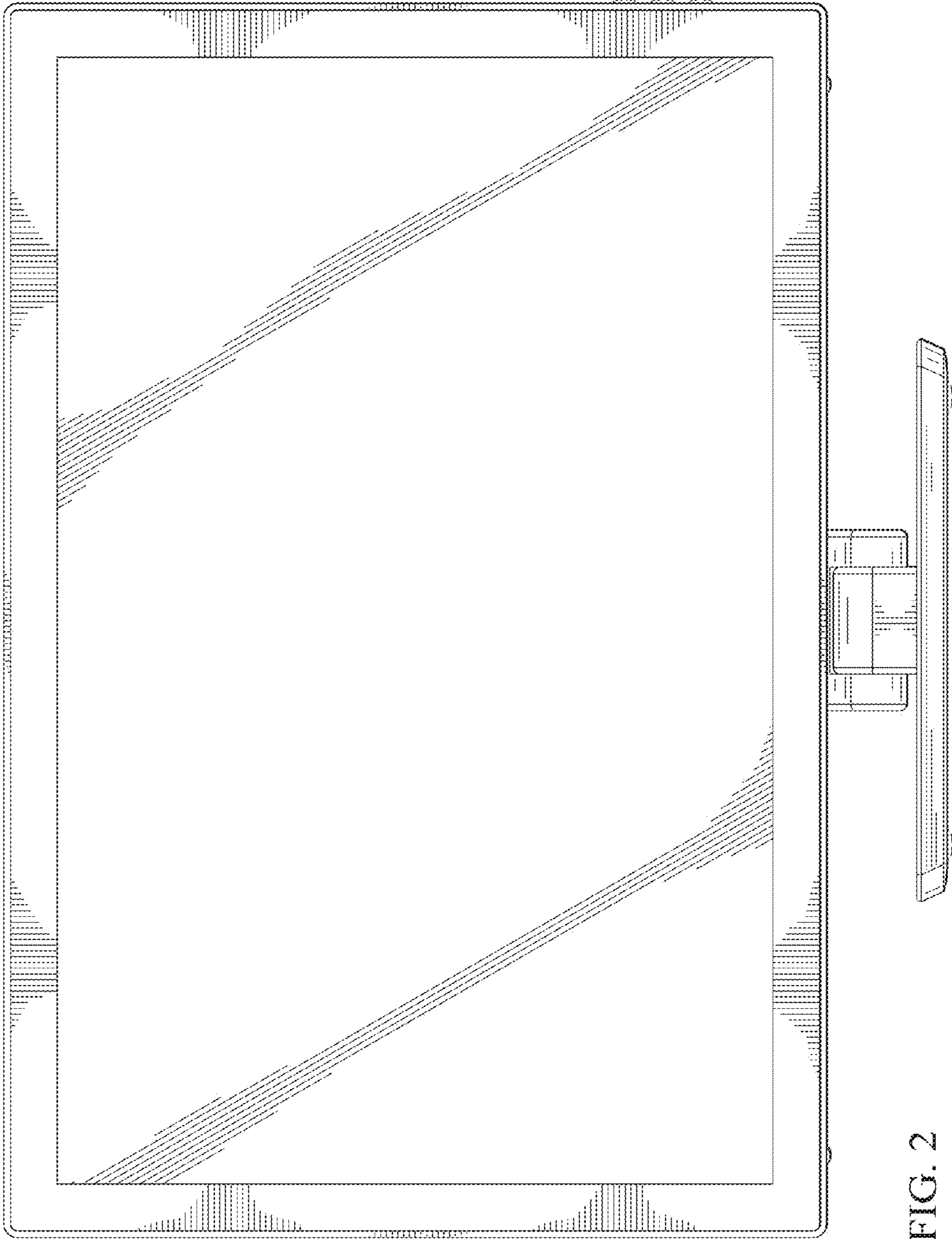


FIG. 2

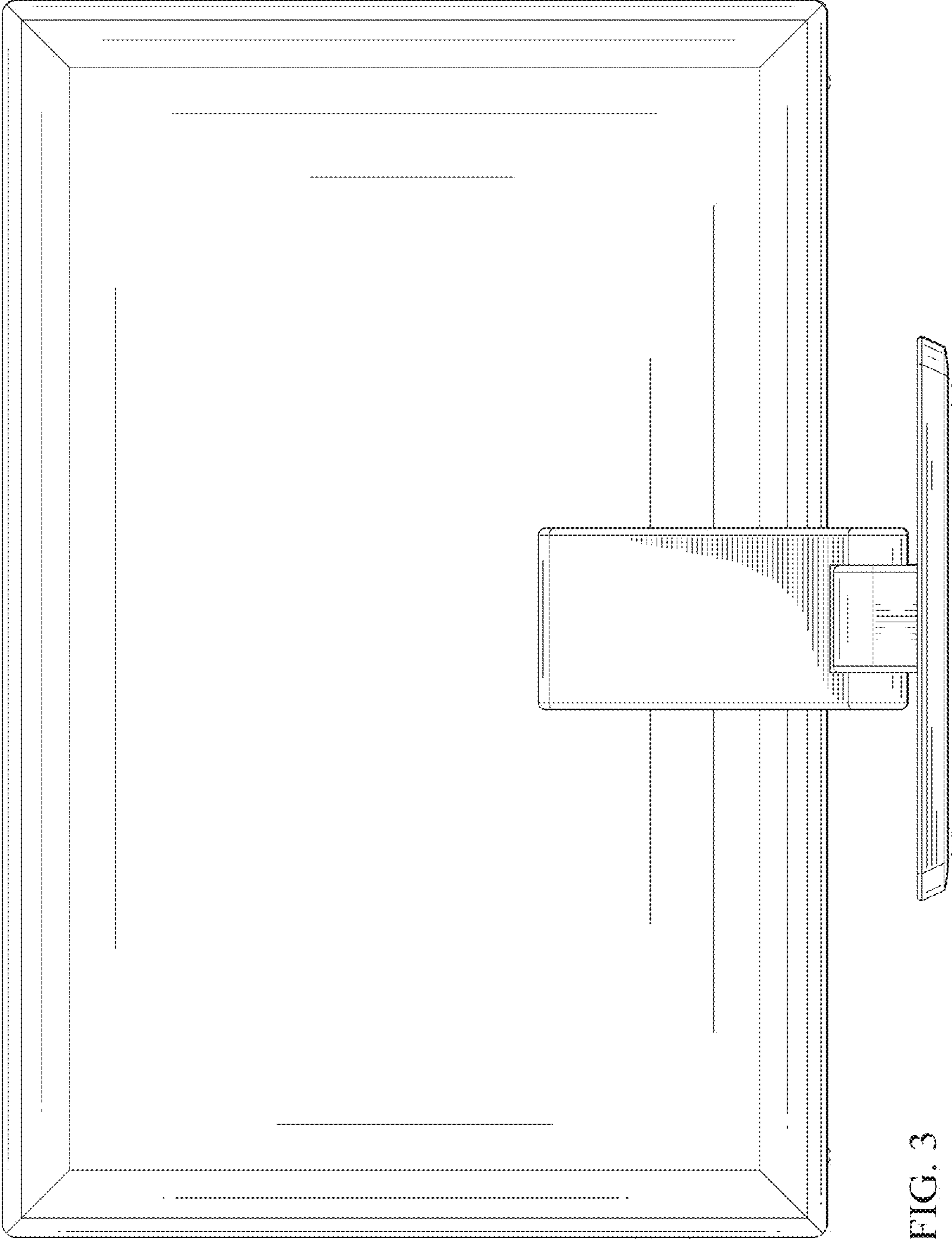


FIG. 3

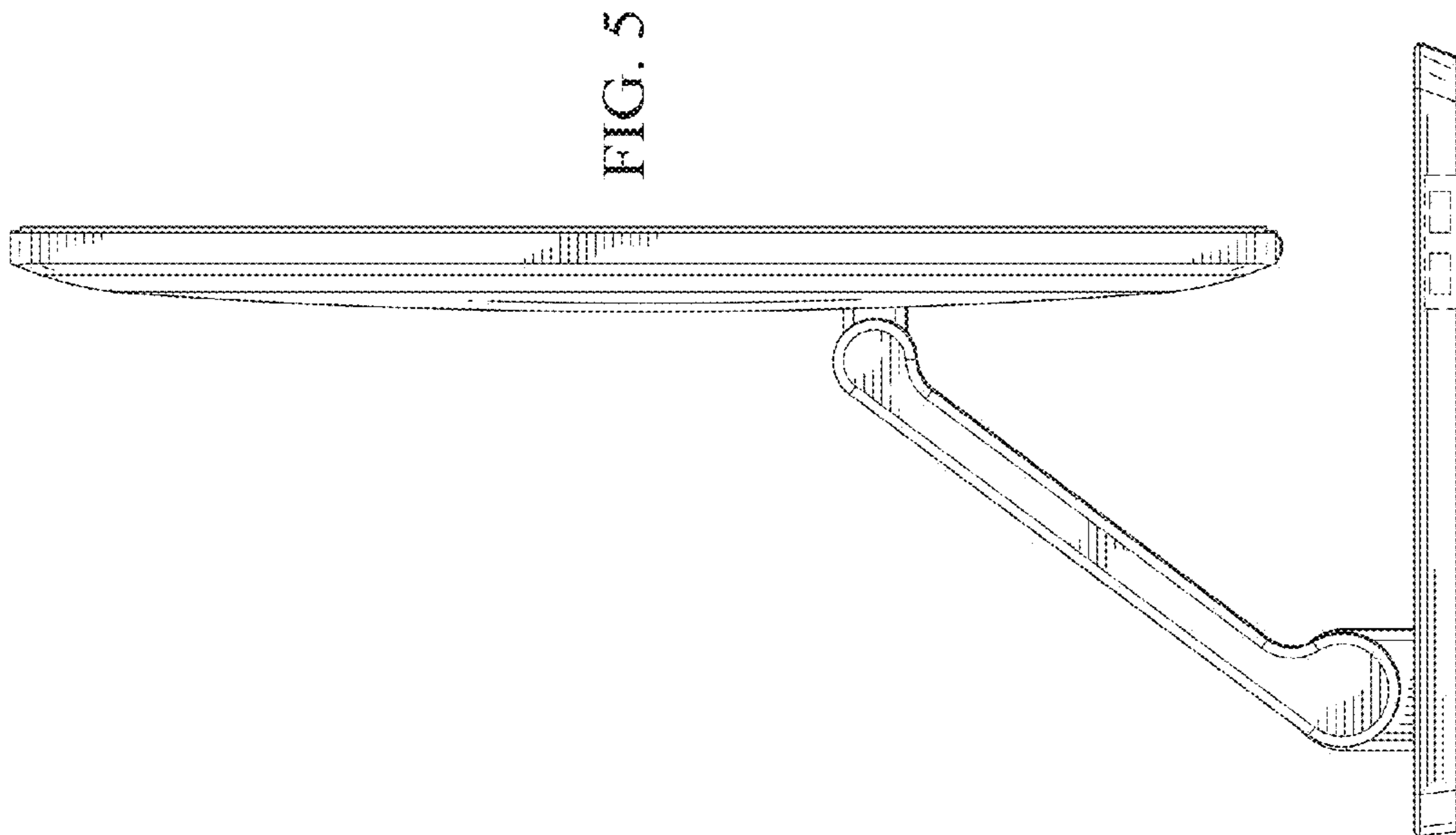


FIG. 5

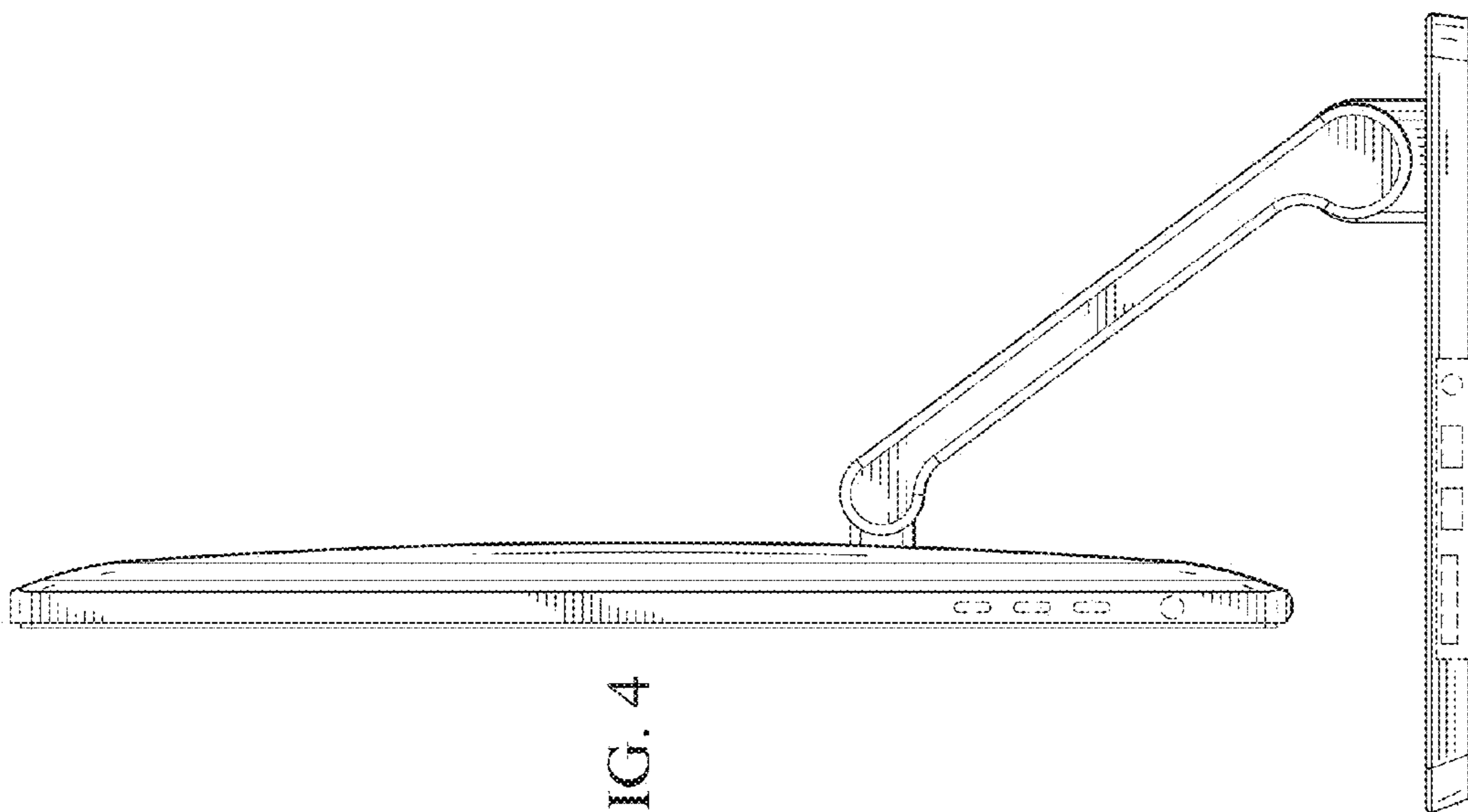


FIG. 4

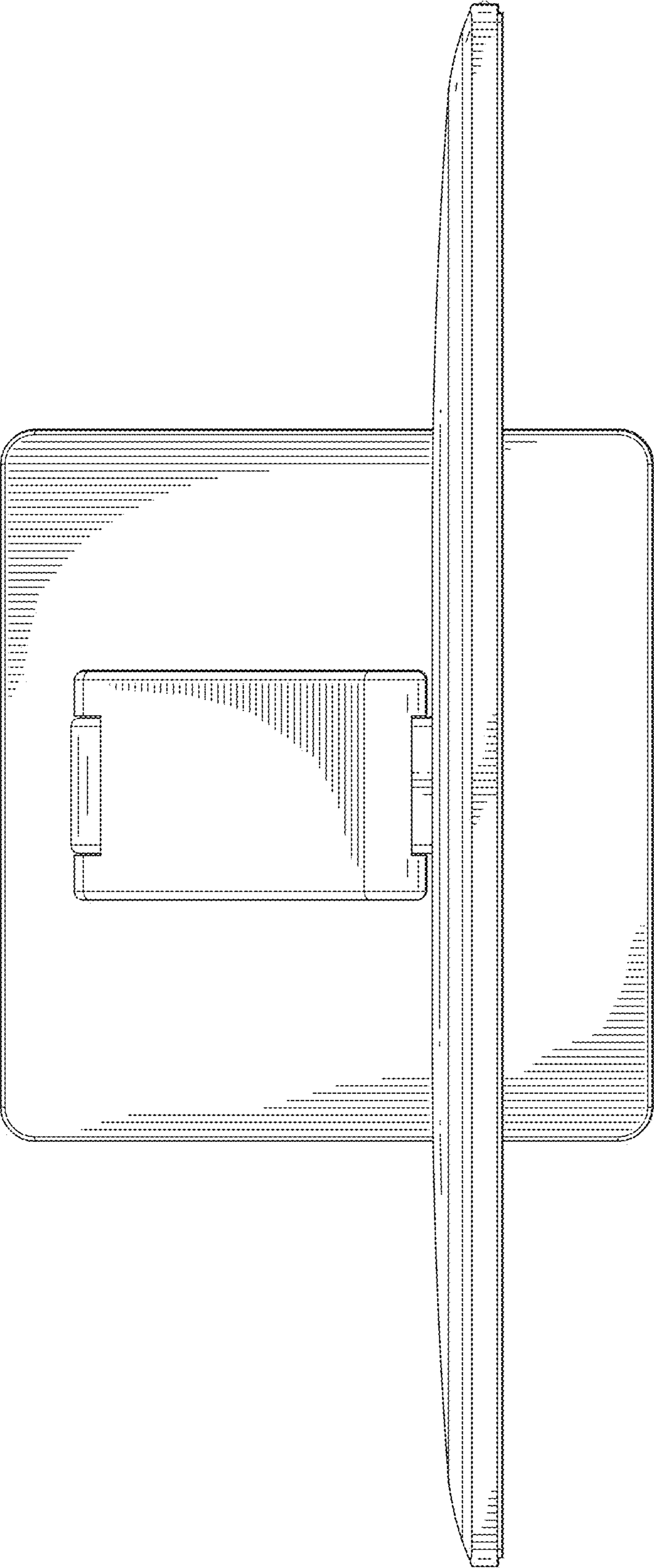


FIG. 6

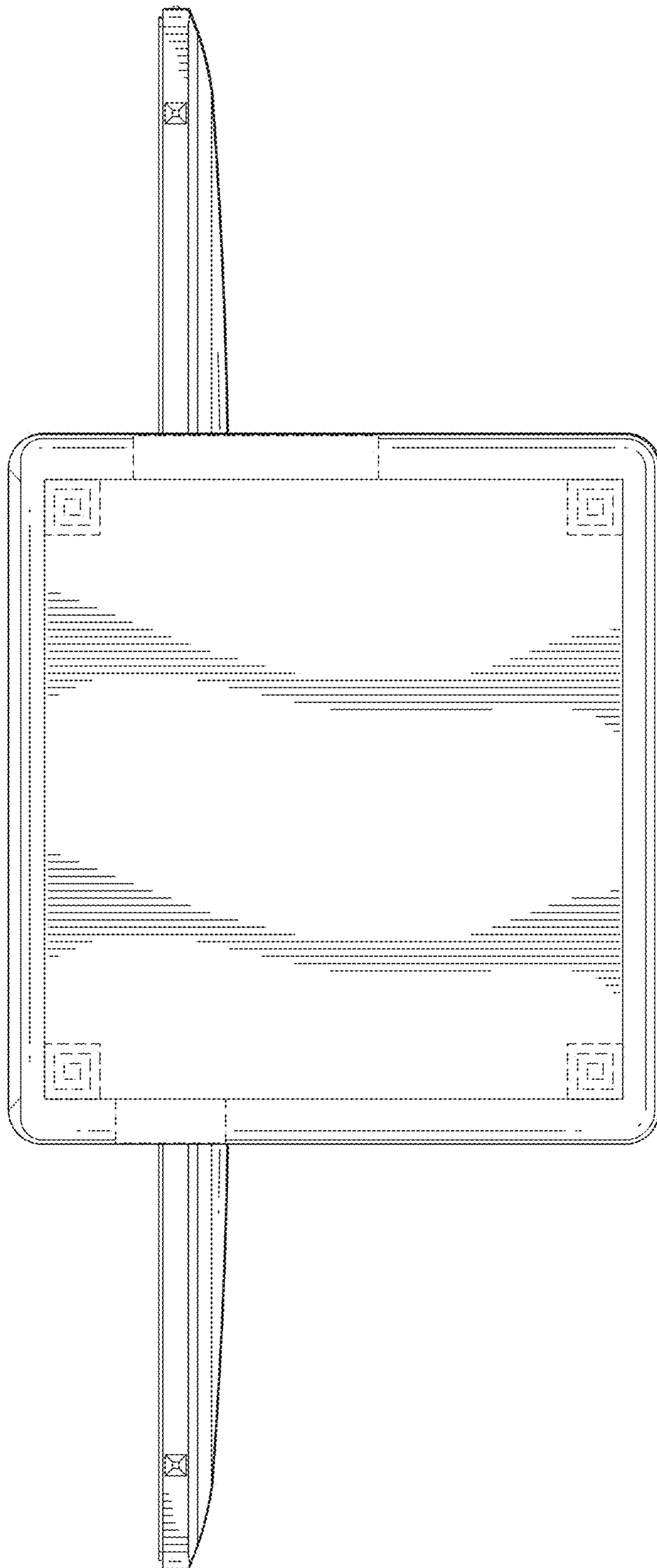


FIG. 7

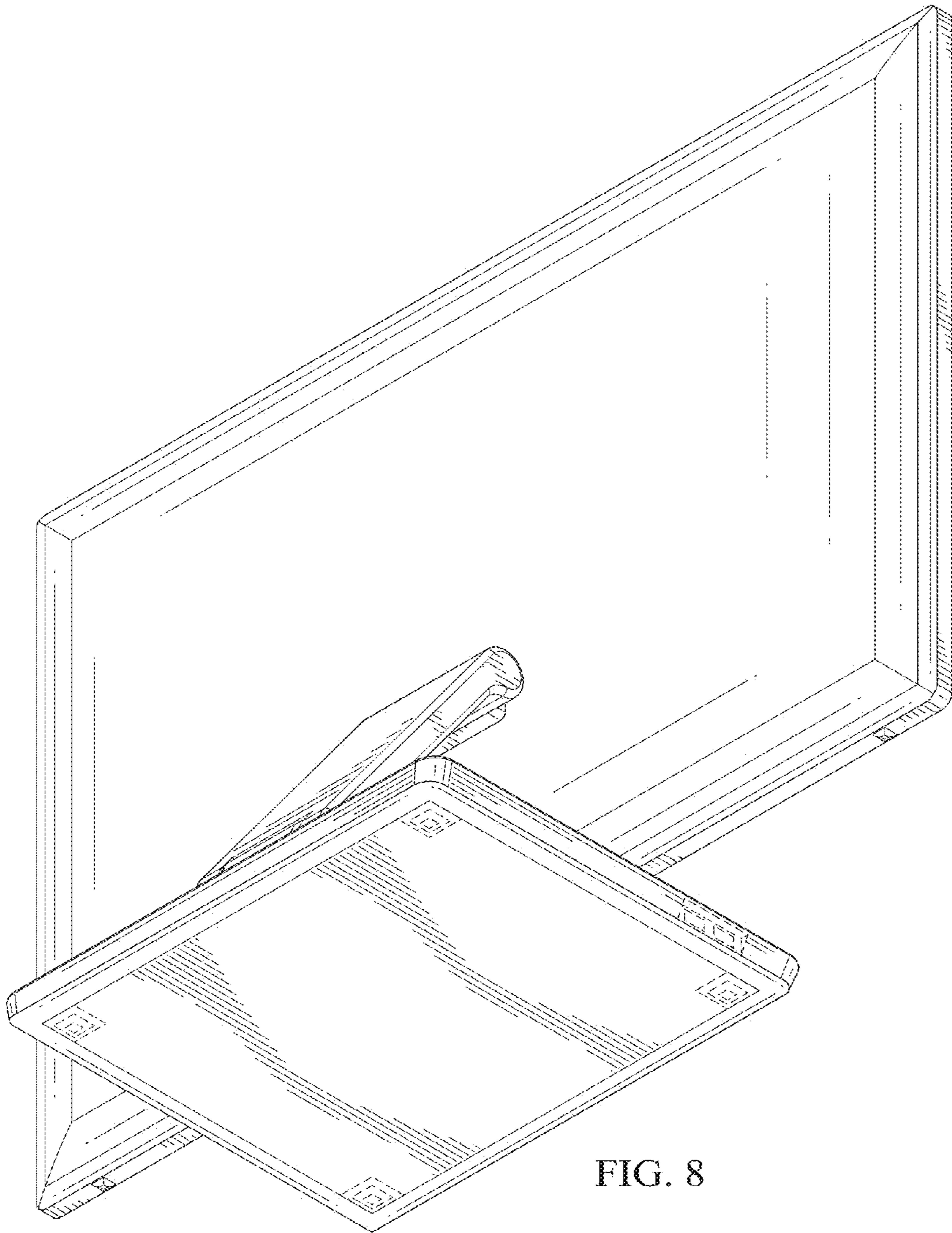


FIG. 8



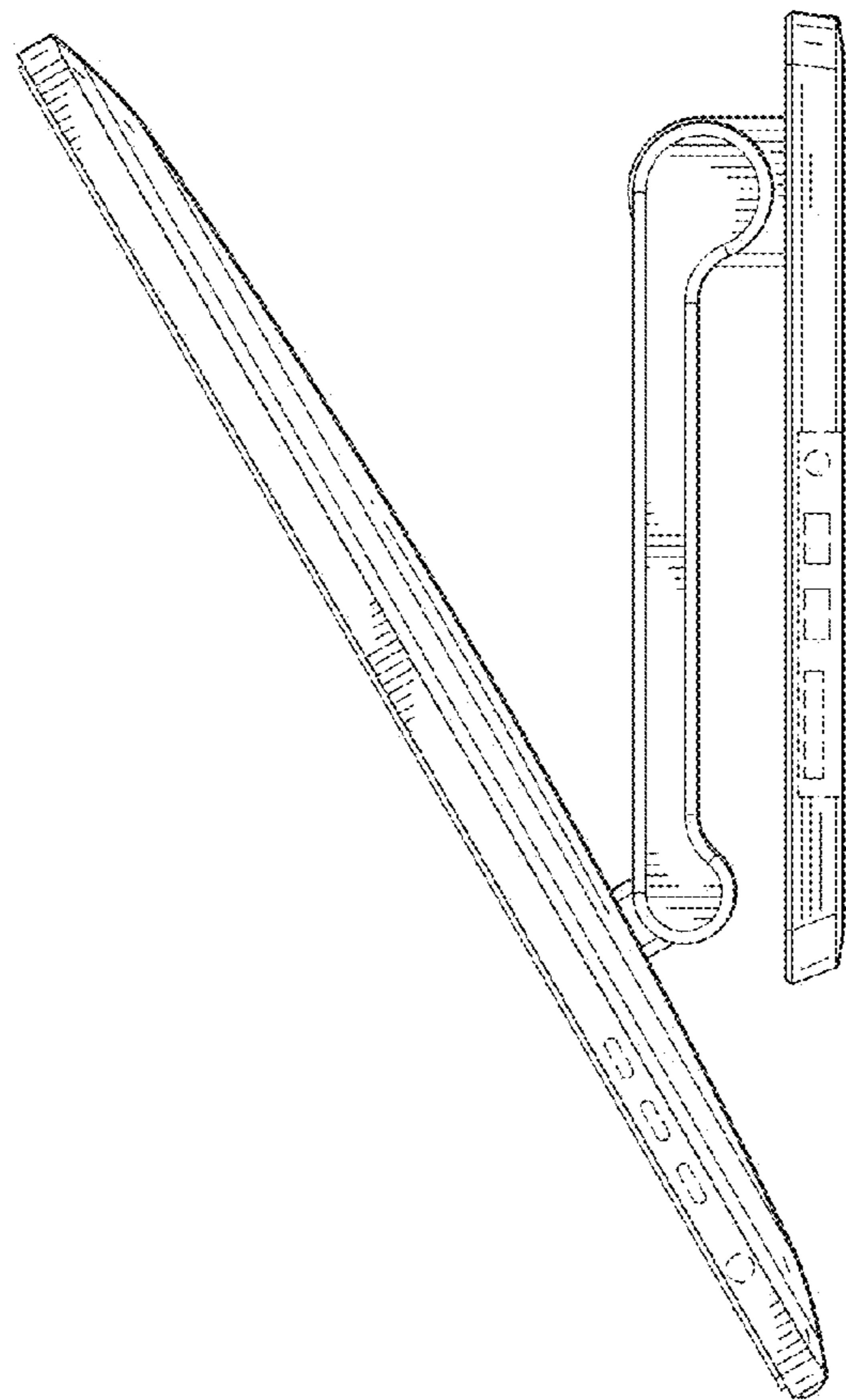


FIG. 10

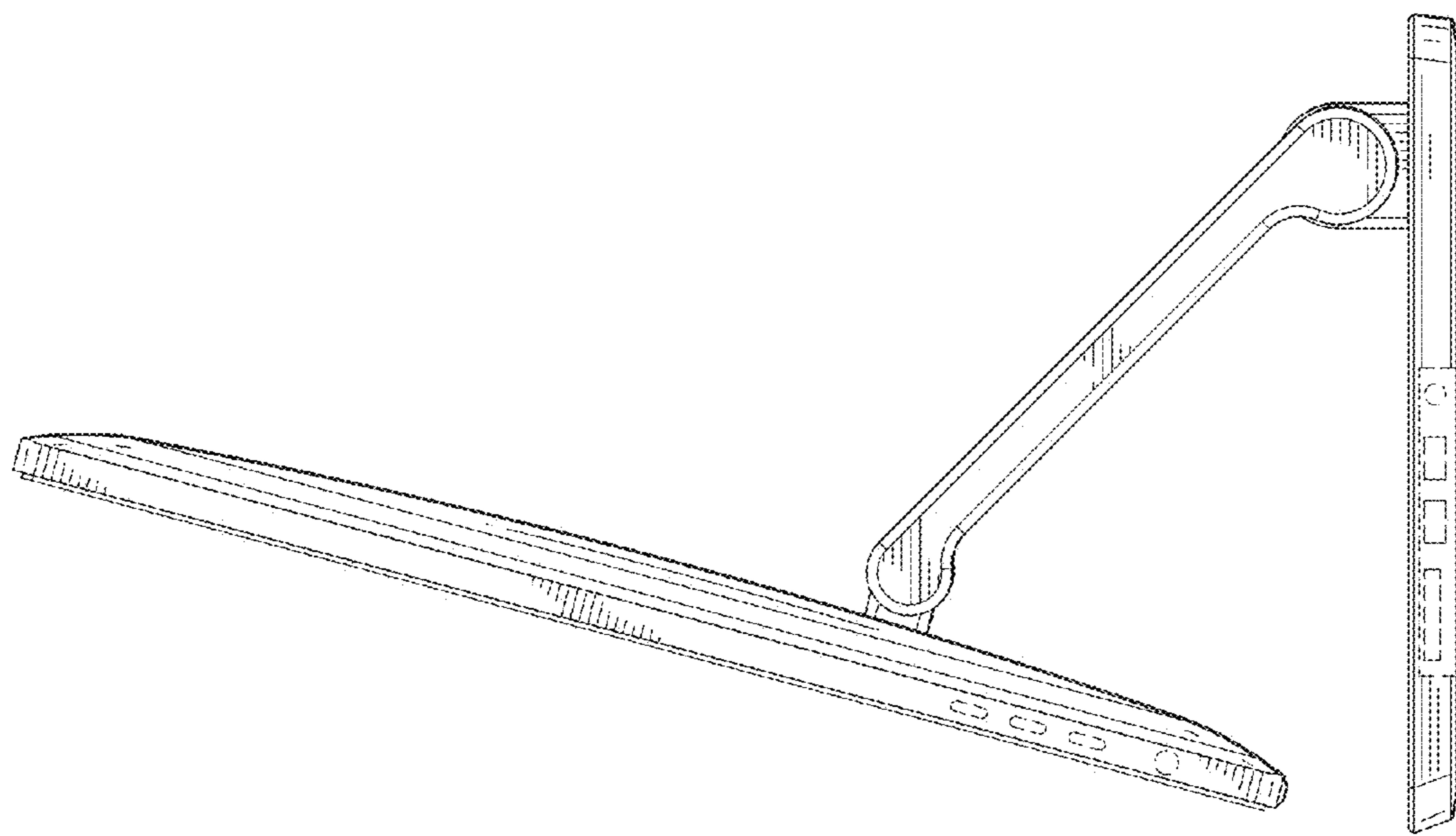


FIG. 9