



US00D703630S

(12) **United States Design Patent**
Kim et al.

(10) **Patent No.:** **US D703,630 S**

(45) **Date of Patent:** **** Apr. 29, 2014**

(54) **TELEVISION RECEIVER**

(74) *Attorney, Agent, or Firm* — NSIP Law

(71) Applicant: **Samsung Electronics Co., Ltd.**,
Suwon-si (KR)

(57) **CLAIM**

The ornamental design for a television receiver, as shown and described.

(72) Inventors: **Hee-Bong Kim**, Kimpo-Si (KR);
Eui-Seok Kim, Sungnam-Si (KR)

(73) Assignee: **Samsung Electronics Co., Ltd.**,
Suwon-si (KR)

(**) Term: **14 Years**

(21) Appl. No.: **29/450,412**

(22) Filed: **Mar. 18, 2013**

(30) **Foreign Application Priority Data**

Oct. 23, 2012 (KR) 30-2012-0050318

(51) **LOC (10) Cl.** **14-03**

(52) **U.S. Cl.**
USPC **D14/129**

(58) **Field of Classification Search**

USPC D14/125–134, 239, 371, 136, 374–377,
D14/440, 450, 448, 336, 342, 159; 312/7.2;
348/836, 838, 180, 184, 325, 739;
341/12; 248/917–924, 465; 345/104,
345/133, 156, 168, 87, 173; 720/605, 669,
720/600, 655; 369/99, 197; D21/329, 515,
D21/577, 622, 333, 433, 448, 452, 450, 331,
D21/505; D6/477, 479, 300; 273/148 B;
446/484, 175, 356; D10/15, 26

See application file for complete search history.

(56) **References Cited**

U.S. PATENT DOCUMENTS

D493,433 S * 7/2004 Esslinger et al. D14/129

D533,525 S * 12/2006 Arie D14/129

(Continued)

Primary Examiner — Raphael Barkai

DESCRIPTION

FIG. 1 is a front perspective view of a television receiver, showing an example environment;

FIG. 2 is a front view of the television receiver of FIG. 1;

FIG. 3 is a rear view of the television receiver of FIG. 1;

FIG. 4 is a left-side view of the television receiver of FIG. 1;

FIG. 5 is a right-side view of the television receiver of FIG. 1;

FIG. 6 is a top plan view of the television receiver of FIG. 1;

FIG. 7 is a bottom plan view of the television receiver of FIG. 1;

FIG. 8 is an enlarged front perspective view of the television receiver of FIG. 1 that is included to more clearly depict the design as viewed from the front perspective view (a-a', b-b', c-c', d-d') of FIG. 1, without an example environment; and

FIG. 9 is a front view of the television receiver of FIG. 8;

FIG. 10 is a rear view of the television receiver of FIG. 8;

FIG. 11 is left-side view of the television receiver of FIG. 8;

FIG. 12 is a right-side view of the television receiver of FIG. 8;

FIG. 13 is a top plan view of the television receiver of FIG. 8;

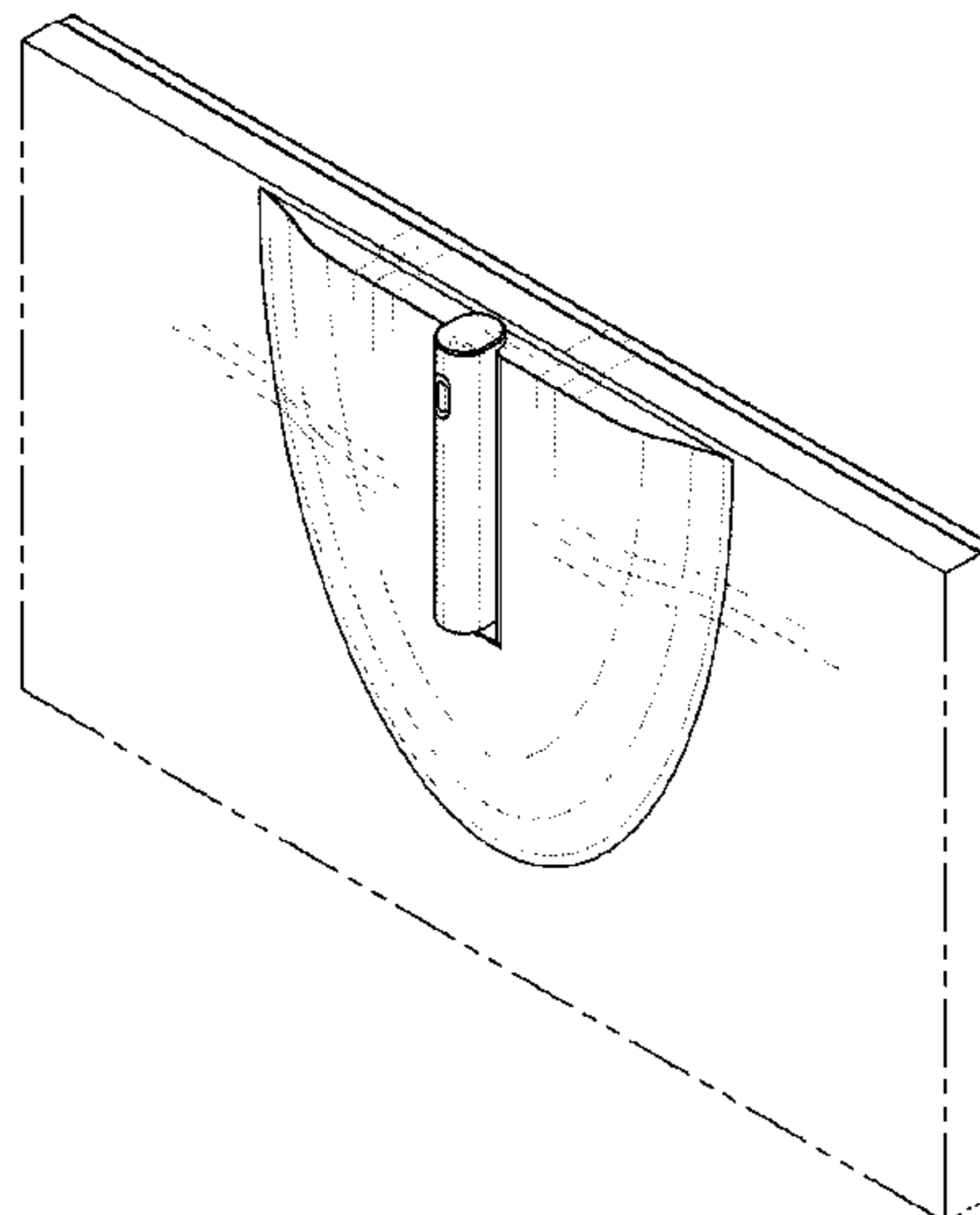
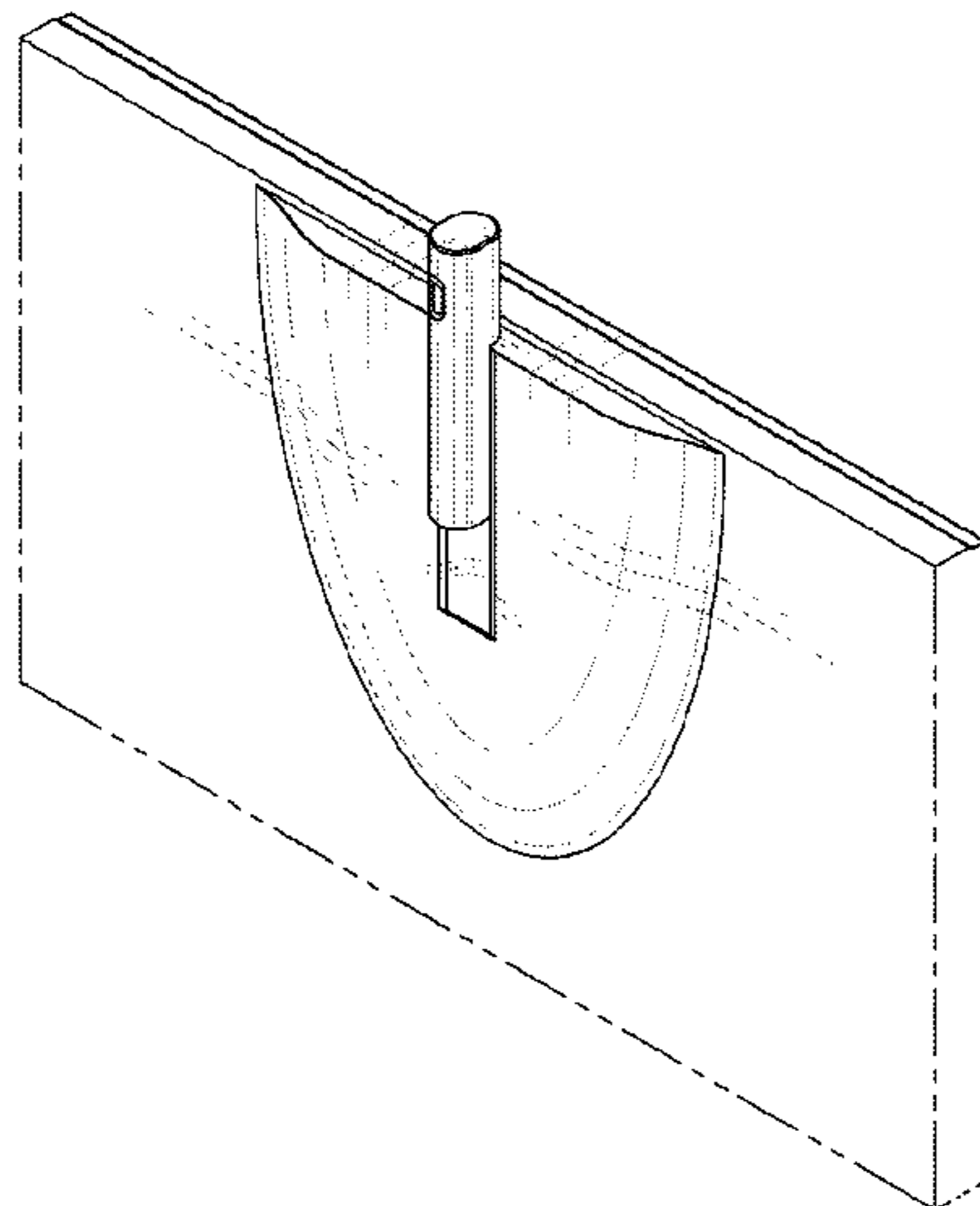
FIG. 14 is a bottom plan view of the television receiver of FIG. 8;

FIG. 15 is a rear perspective view of the television receiver of FIG. 8, showing vertical movement of the camera feature; and,

FIG. 16 is a second rear perspective view of the television receiver of FIG. 8, showing vertical movement of the camera feature.

The dash-dot-dot-dash broken line immediately adjacent the solid-line portions of the design represents an unclaimed boundary of the design. The remainder of features shown in broken lines in FIGS. 1, 2, 3, 4, 5, 6, and 7, form no part of the claimed design.

1 Claim, 12 Drawing Sheets



(56)

References Cited

U.S. PATENT DOCUMENTS

D540,762 S * 4/2007 Lunde D14/129
D564,463 S * 3/2008 Chen et al. D14/126
D583,781 S * 12/2008 Derocher et al. D14/129
D588,560 S * 3/2009 Mellingen et al. D14/126

D616,404 S * 5/2010 Roed et al. D14/129
D636,359 S * 4/2011 Buzzard et al. D14/126
D636,747 S * 4/2011 Buzzard et al. D14/126
D637,568 S * 5/2011 Desai et al. D14/126
D651,185 S * 12/2011 Andresen D14/129
D654,449 S * 2/2012 Chastain D14/126

* cited by examiner

FIG. 2

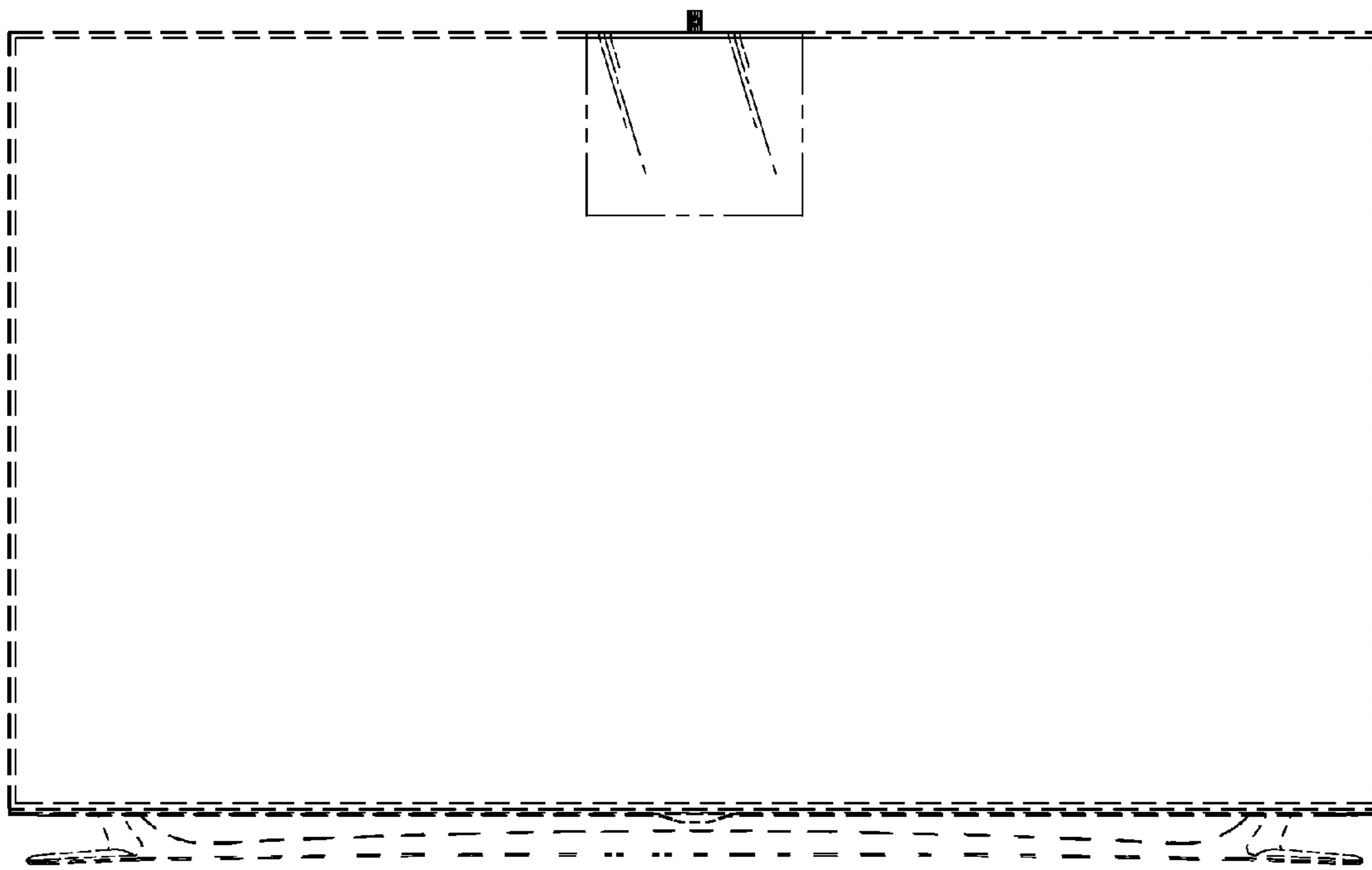


FIG. 3

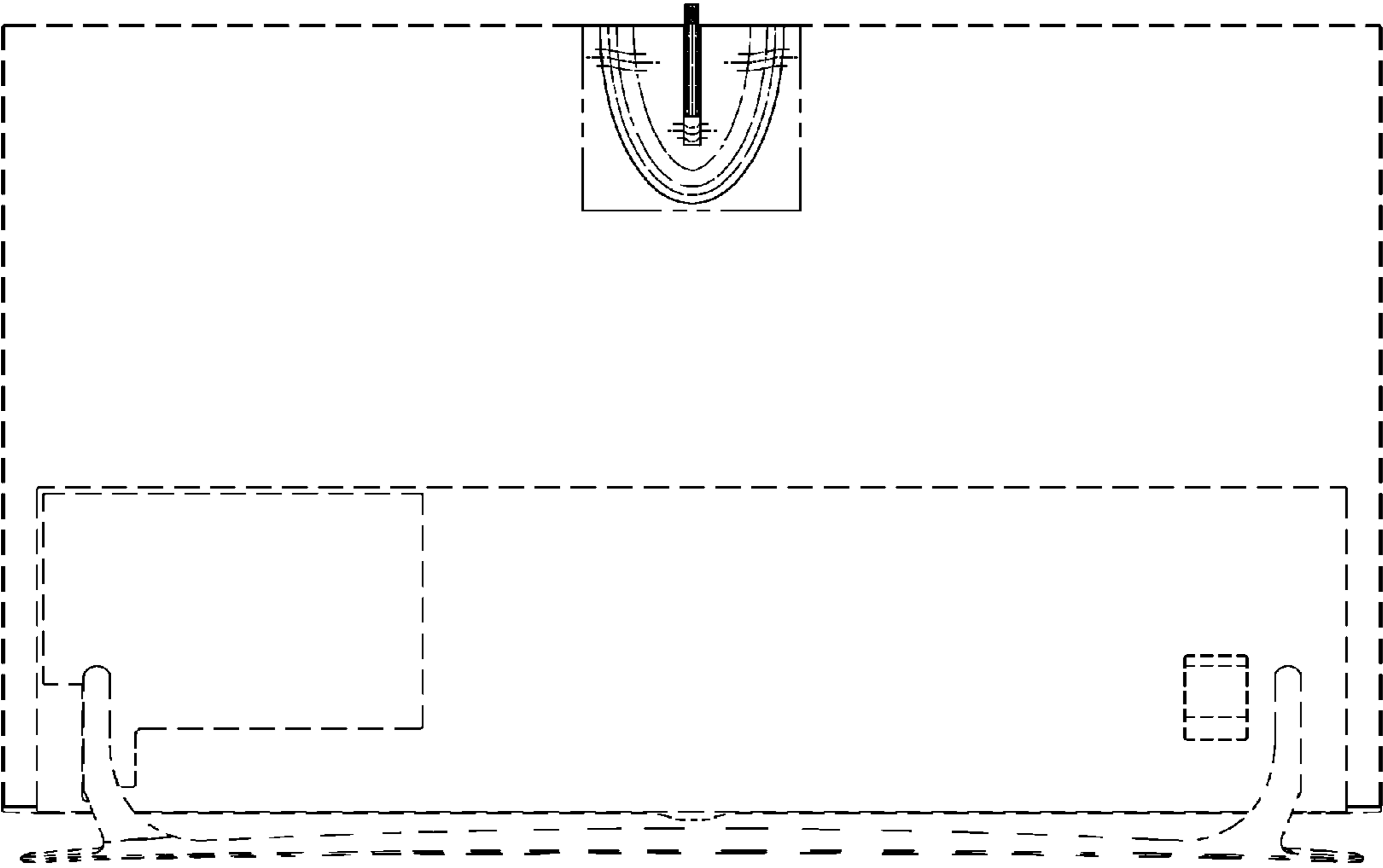


FIG. 4

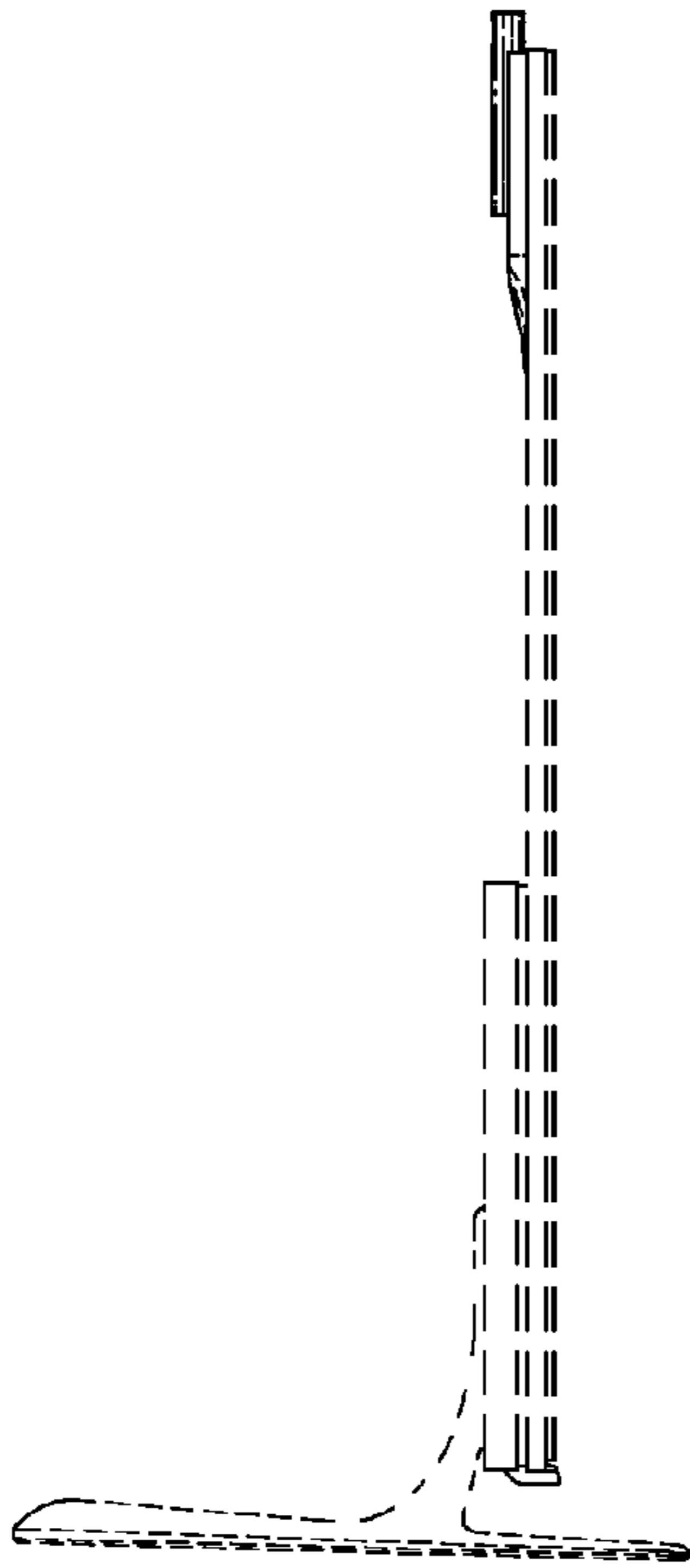


FIG. 5

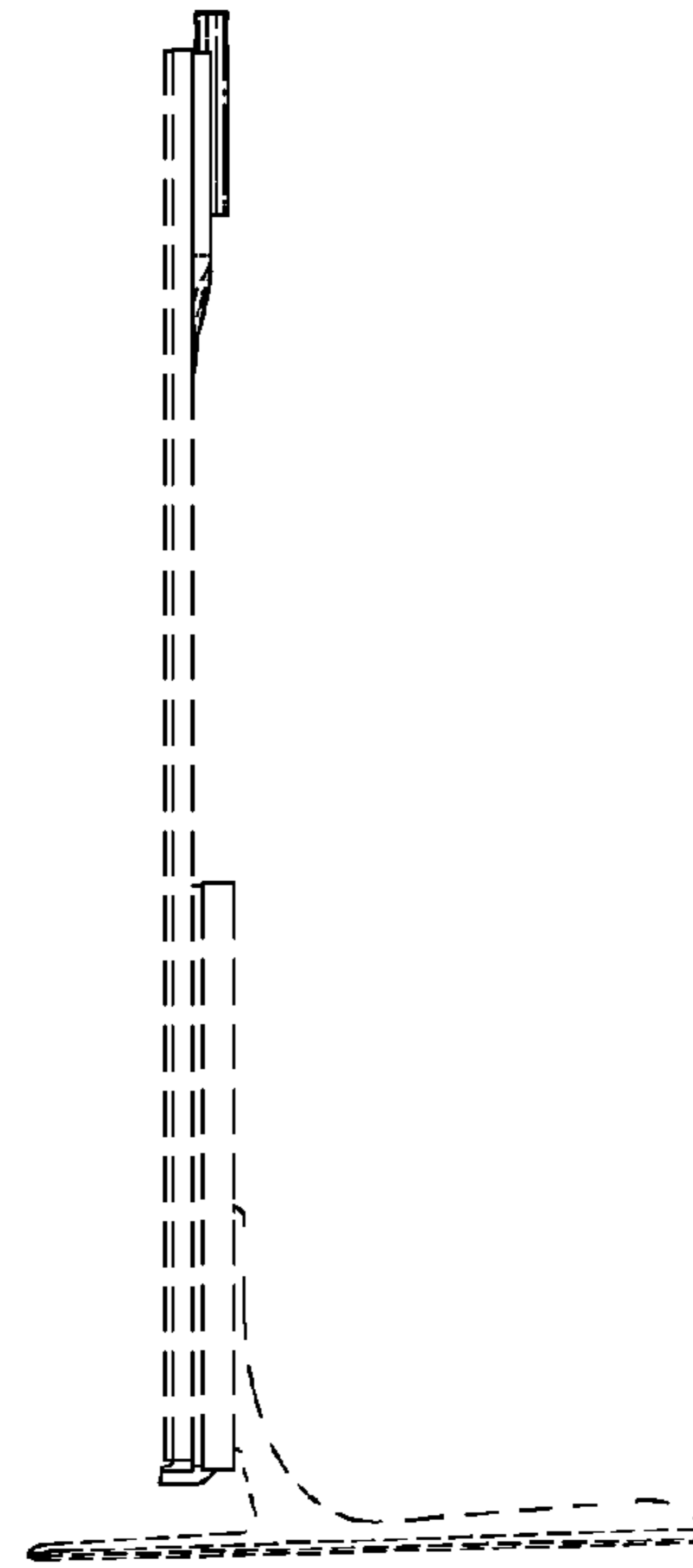


FIG. 6

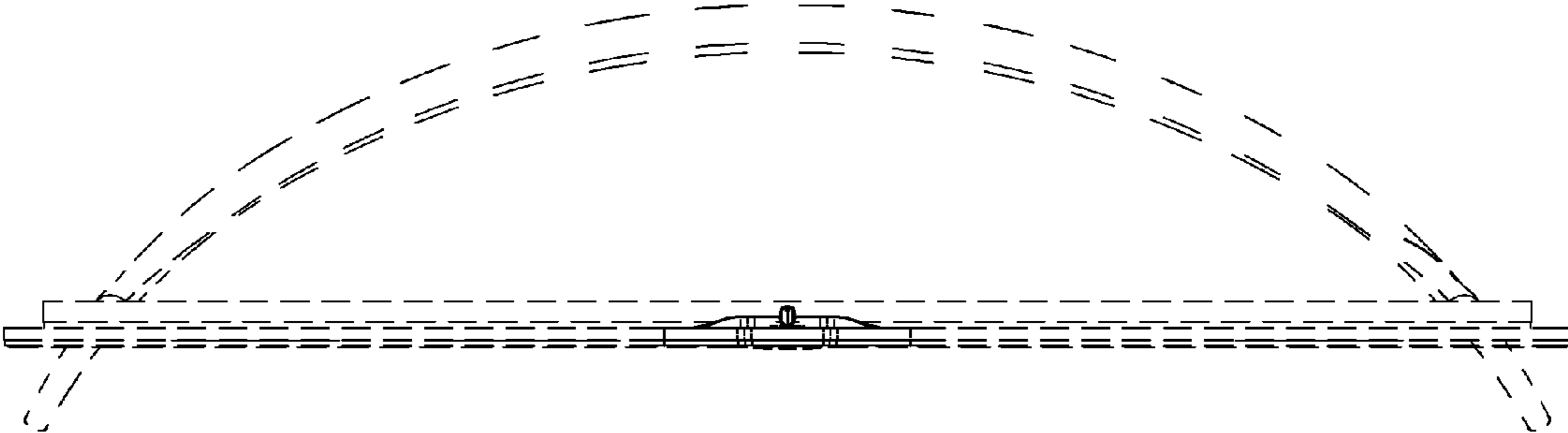


FIG. 7

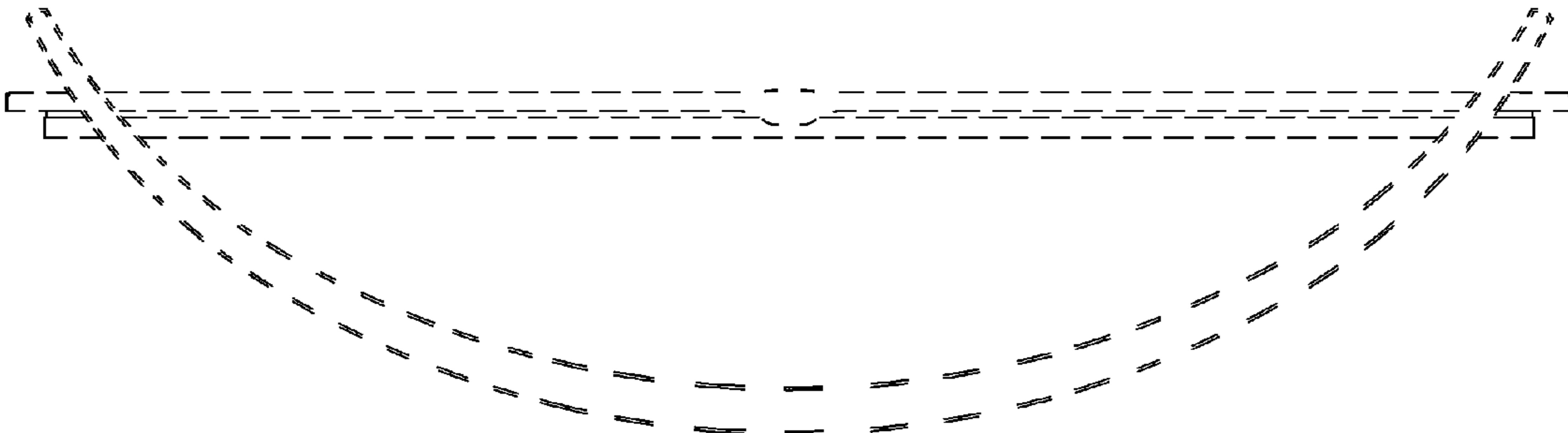


FIG. 8

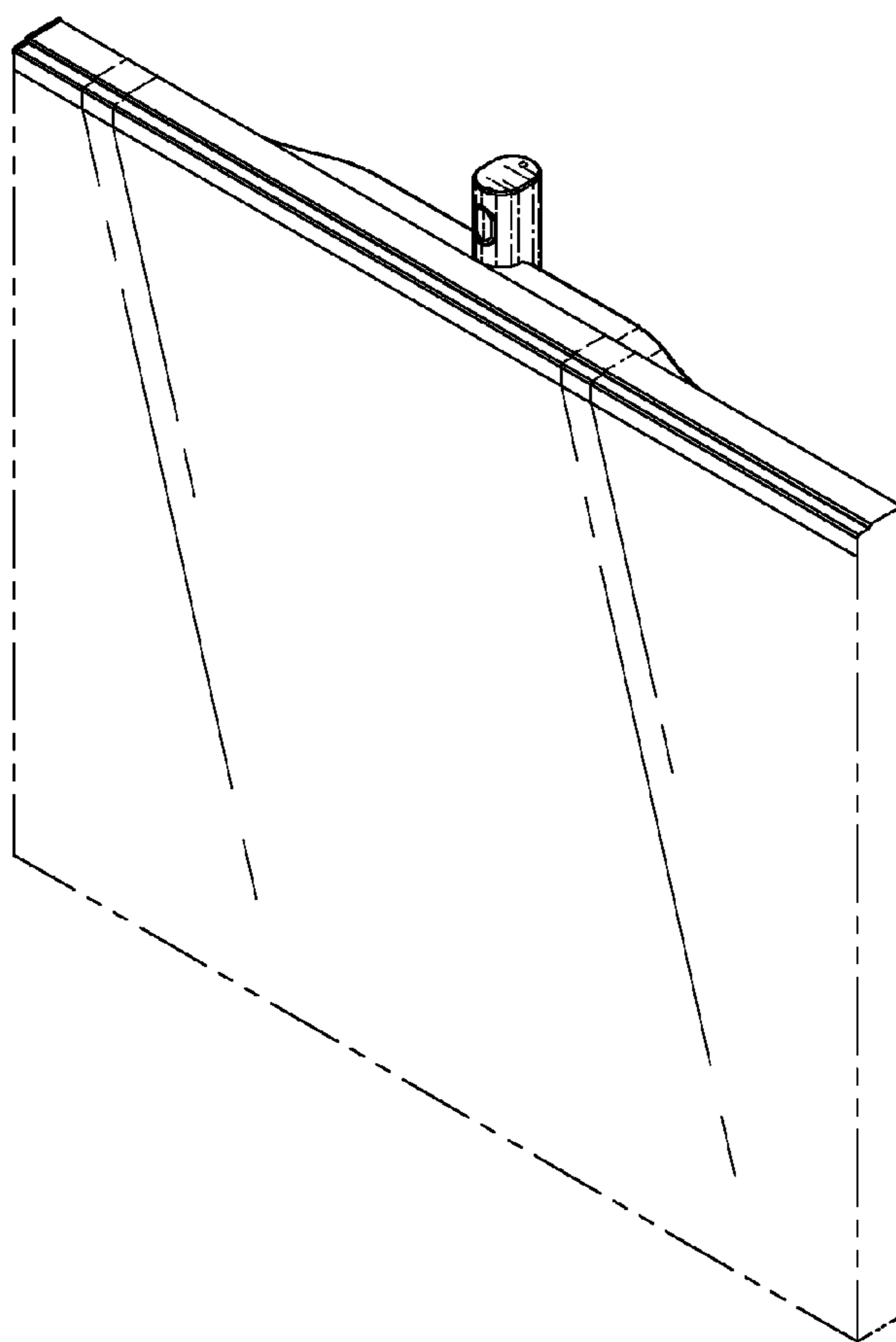


FIG. 9

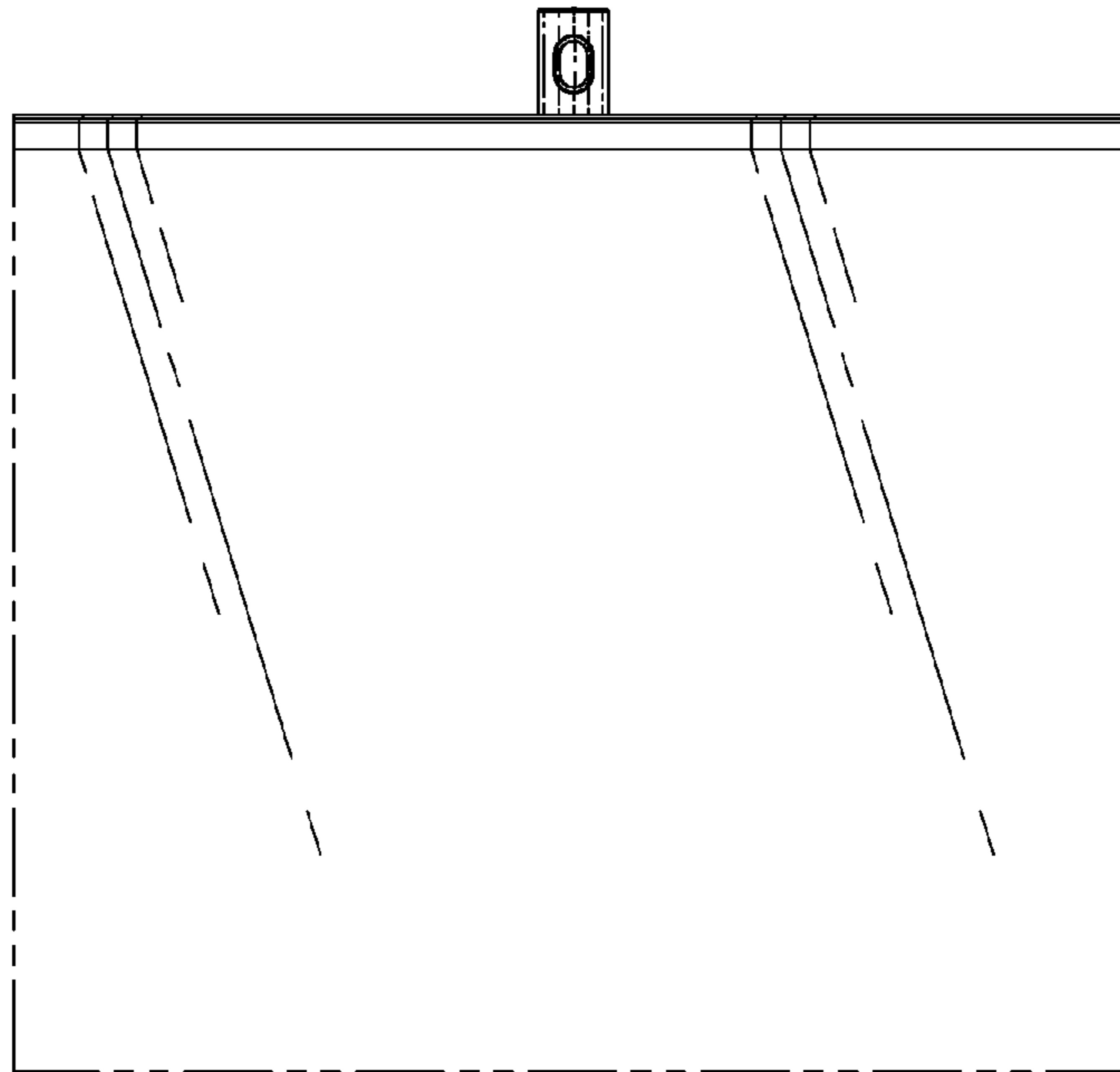


FIG. 10

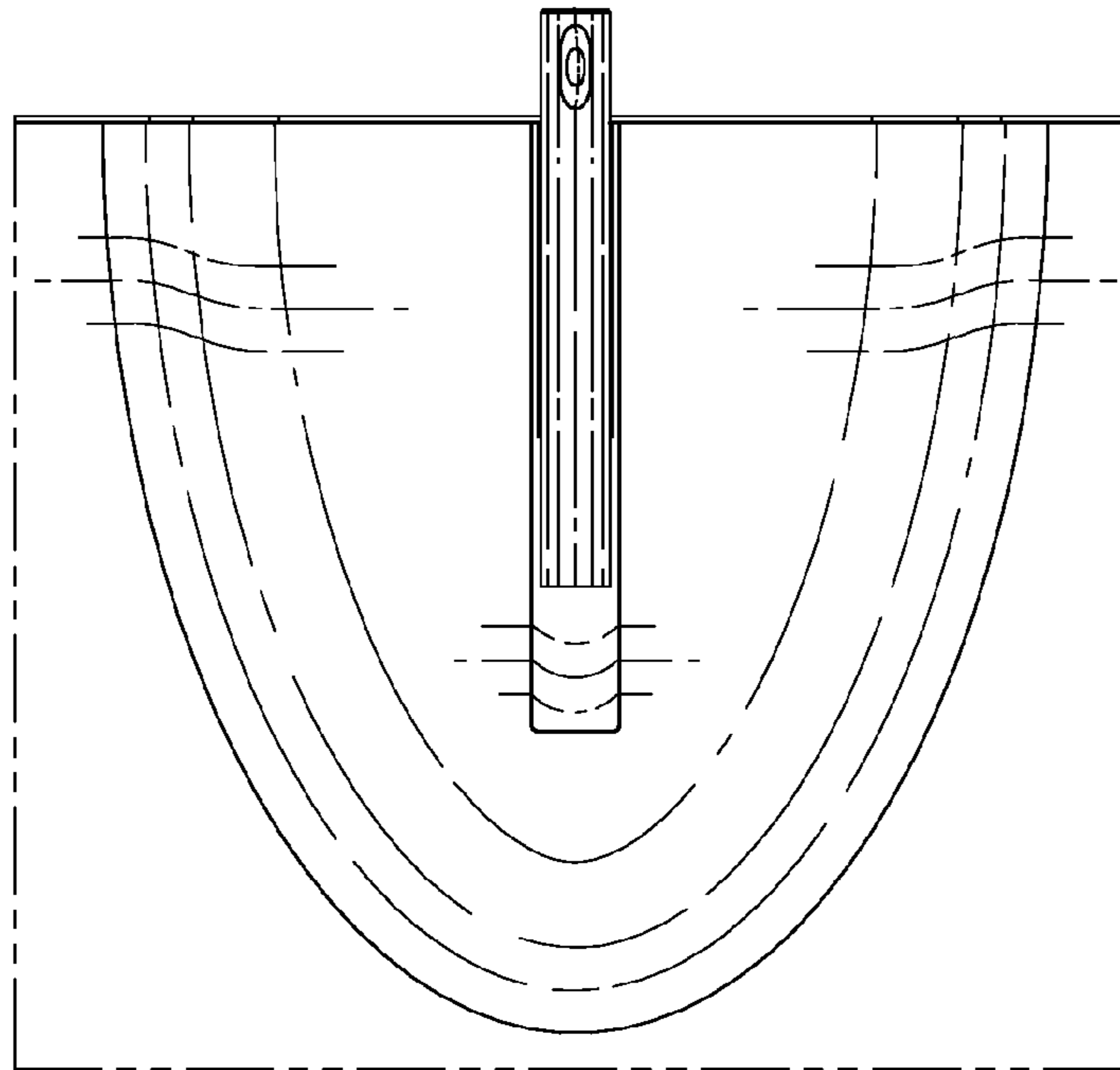


FIG. 11

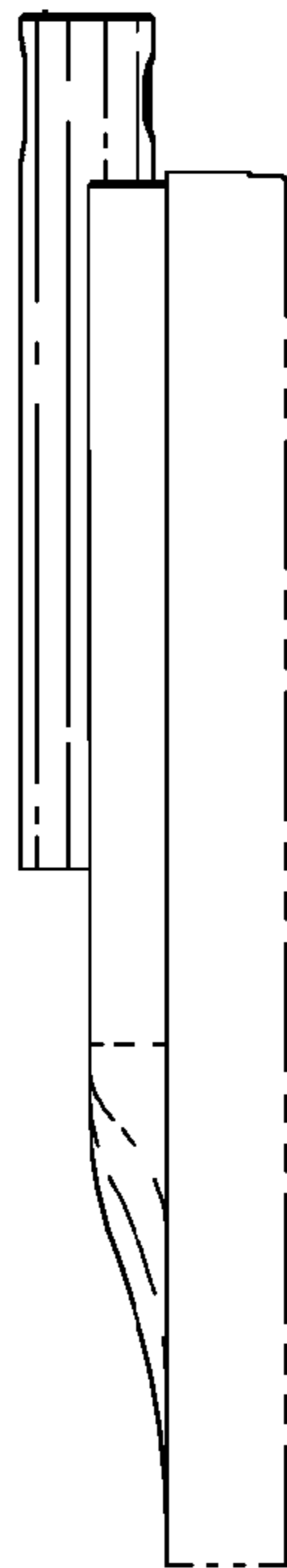


FIG. 12

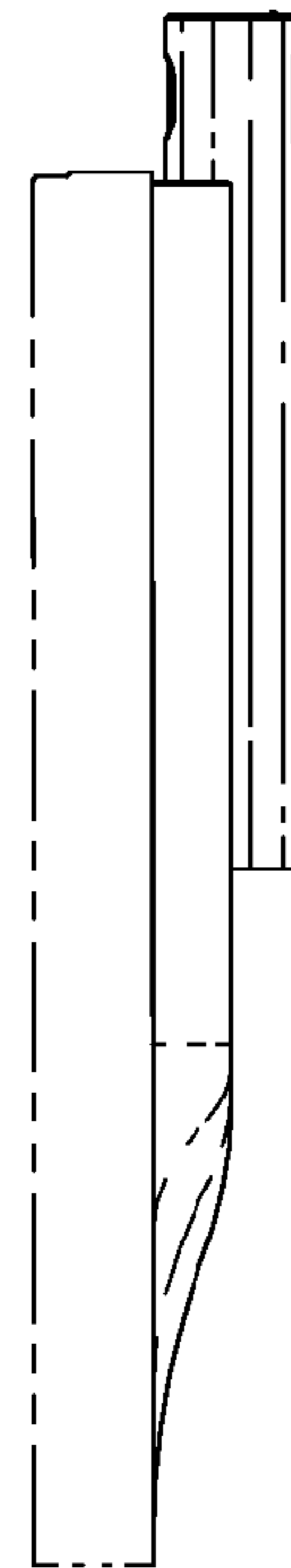


FIG. 13

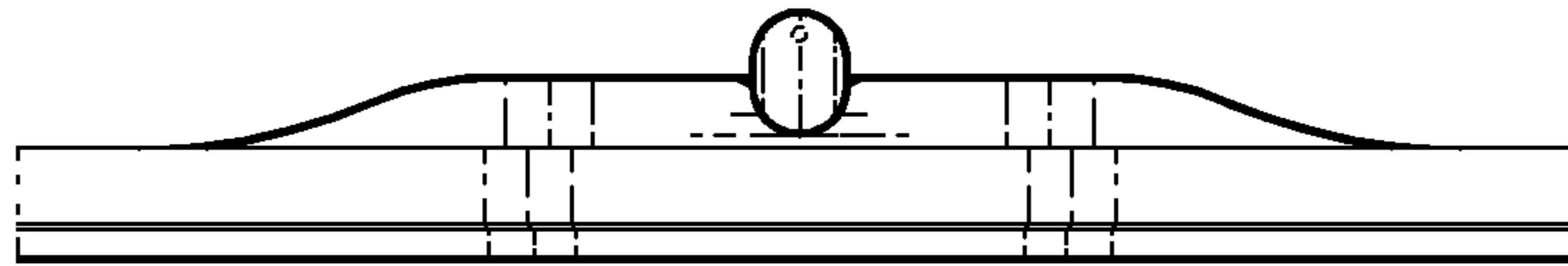


FIG. 14

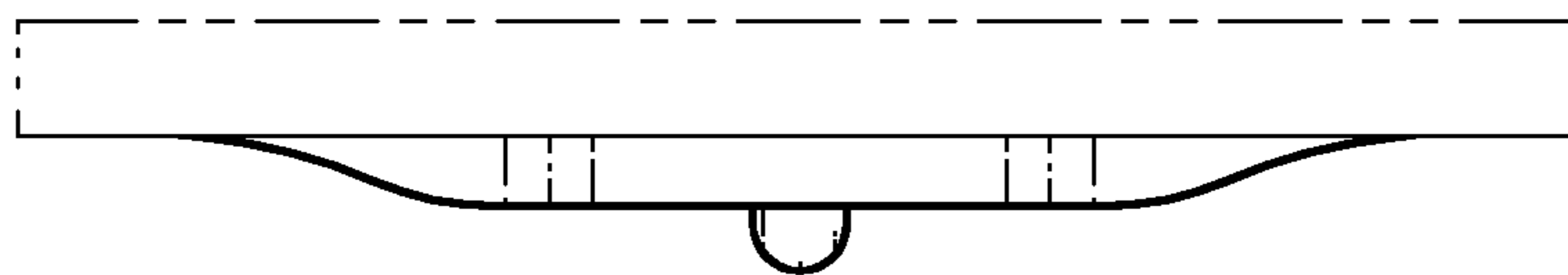


FIG. 15

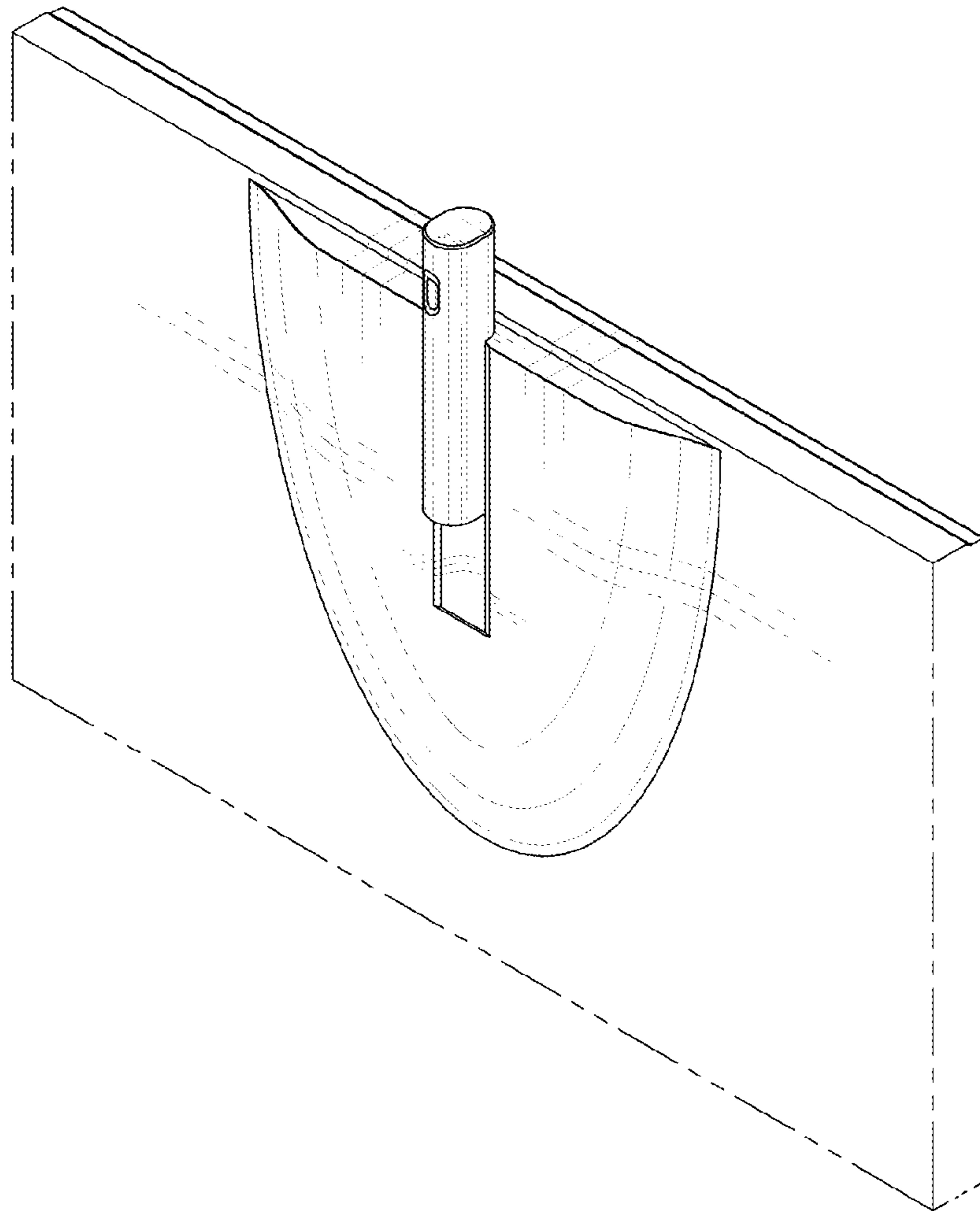


FIG. 16

