



US00D703629S

(12) **United States Design Patent**  
**Griffith**

(10) **Patent No.:** **US D703,629 S**

(45) **Date of Patent:** **\*\* Apr. 29, 2014**

- (54) **CONTROLLER WITH SCREEN**
- (71) Applicant: **Twentieth Century Fox Film Corporation**, Los Angeles, CA (US)
- (72) Inventor: **John M. Griffith**, Los Angeles, CA (US)
- (73) Assignee: **Twentieth Century Fox Film Corporation**, Los Angeles, CA (US)
- (\*\*) Term: **14 Years**
- (21) Appl. No.: **29/443,534**
- (22) Filed: **Jan. 18, 2013**

D545,692	S	*	7/2007	Bhavnani	.....	D10/2
D624,535	S	*	9/2010	Tsai et al.	.....	D14/336
D634,320	S	*	3/2011	Bliven et al.	.....	D14/371
8,118,680	B2	*	2/2012	Layne et al.	.....	463/43
D670,664	S	*	11/2012	Brown	.....	D14/126
2007/0122027	A1		5/2007	Kunita et al.		

(Continued)

**FOREIGN PATENT DOCUMENTS**

KR 1020070099949 10/2007

**OTHER PUBLICATIONS**

International Application No. PCT/US2012/070536 International Search Report and Written Opinion dated Apr. 26, 2013, 8 pages.

*Primary Examiner* — Randall Gholson

(74) *Attorney, Agent, or Firm* — Cantor Colburn LLP

(57) **CLAIM**

The ornamental design for a controller with screen, as shown and described.

**DESCRIPTION**

FIG. 1 is a front perspective view of a controller with screen showing my new design;  
FIG. 2 is a bottom perspective view thereof;  
FIG. 3 is a front elevation view thereof;  
FIG. 4 is a rear elevation view thereof;  
FIG. 5 is a first side elevation view thereof;  
FIG. 6 is a second side elevation view thereof;  
FIG. 7 is a bottom plan view thereof; and,  
FIG. 8 is a top plan view thereof.

References to “side”, “top”, “front”, “rear” and “bottom” in the figure descriptions are not meant to require certain in-use orientation; a controller with screen according to the claimed design may be used in any orientation.

The broken lines in the drawings depict environmental matter and form no part of the claimed design.

**1 Claim, 5 Drawing Sheets**

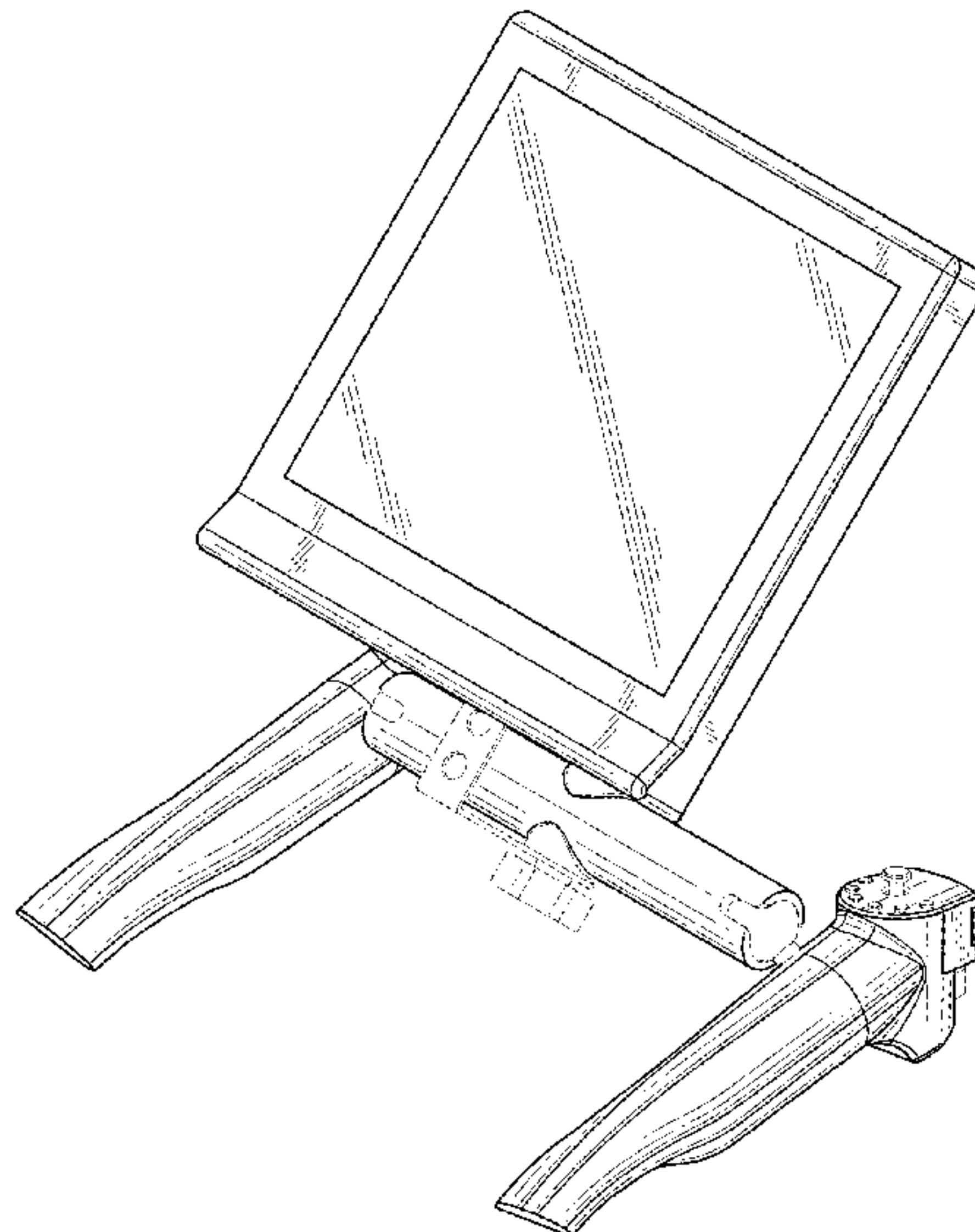
**Related U.S. Application Data**

- (62) Division of application No. 13/466,522, filed on May 8, 2012.
- (51) **LOC (10) Cl.** ..... **14-03**
- (52) **U.S. Cl.**  
USPC ..... **D14/129; D21/333**
- (58) **Field of Classification Search**  
USPC ..... D21/324–333, 385; D14/440, 401, 412, D14/414, 415, 416, 426, 427, 371–376, D14/125–129; 273/148 B; 463/1, 29–35, 46, 463/47; 345/156–167, 104, 168, 173, 87, 345/1.1, 901–905; 341/12; 348/180, 184, 348/325, 739; 349/1, 2, 11, 58; 248/917–924; 361/679.23  
See application file for complete search history.

(56) **References Cited**

**U.S. PATENT DOCUMENTS**

D376,826	S	*	12/1996	Ashida	.....	D14/401
6,614,420	B1	*	9/2003	Han et al.	.....	345/161
D517,124	S	*	3/2006	Merril et al.	.....	D21/324
D521,567	S	*	5/2006	Svendsen et al.	.....	D21/333
D541,771	S	*	5/2007	Chung	.....	D14/126



(56)

**References Cited**

U.S. PATENT DOCUMENTS

2008/0231926 A1 9/2008 Klug et al.

2009/0324017 A1 12/2009 Gordon et al.  
2010/0107127 A1 4/2010 Han et al.

\* cited by examiner

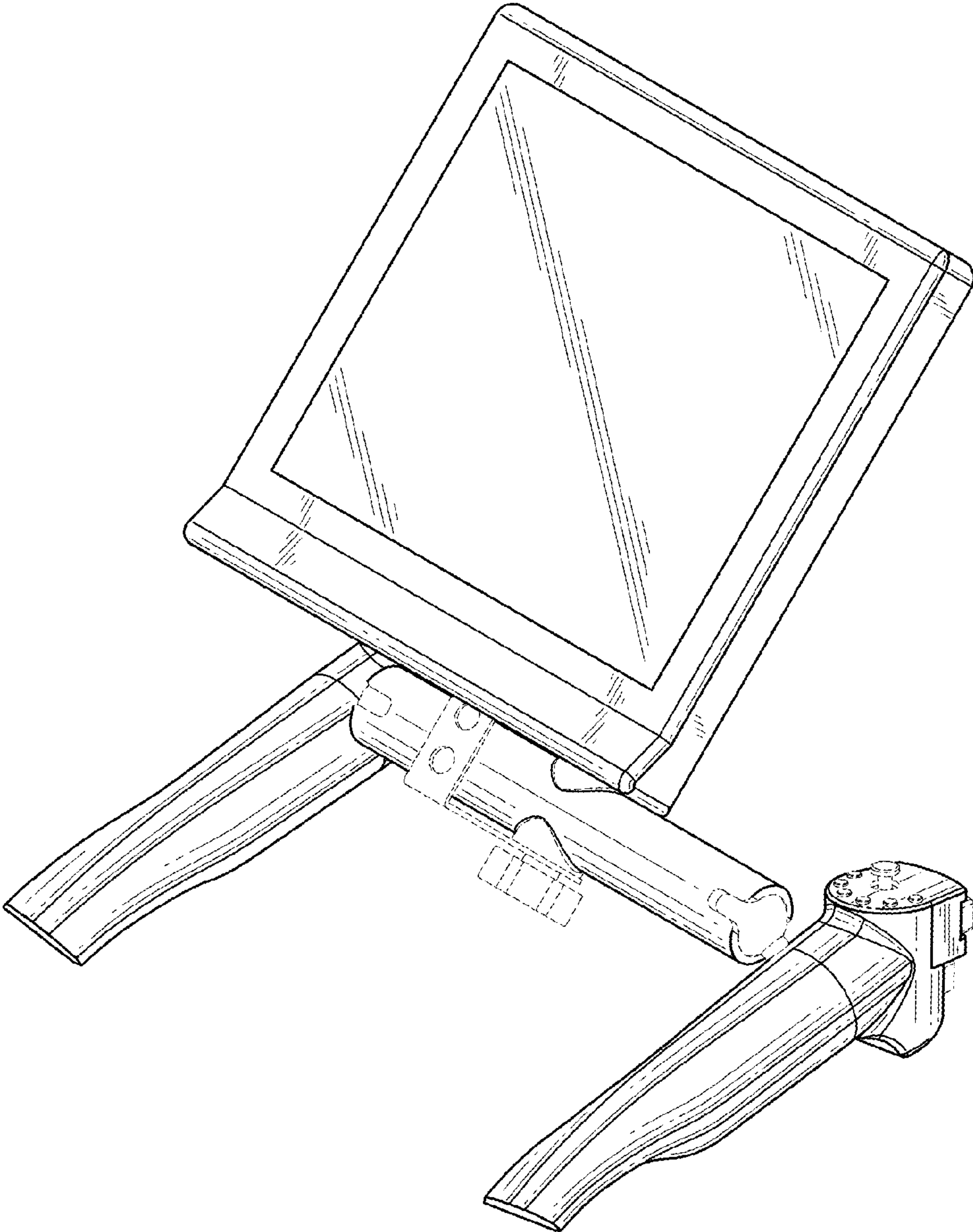


FIG. 1

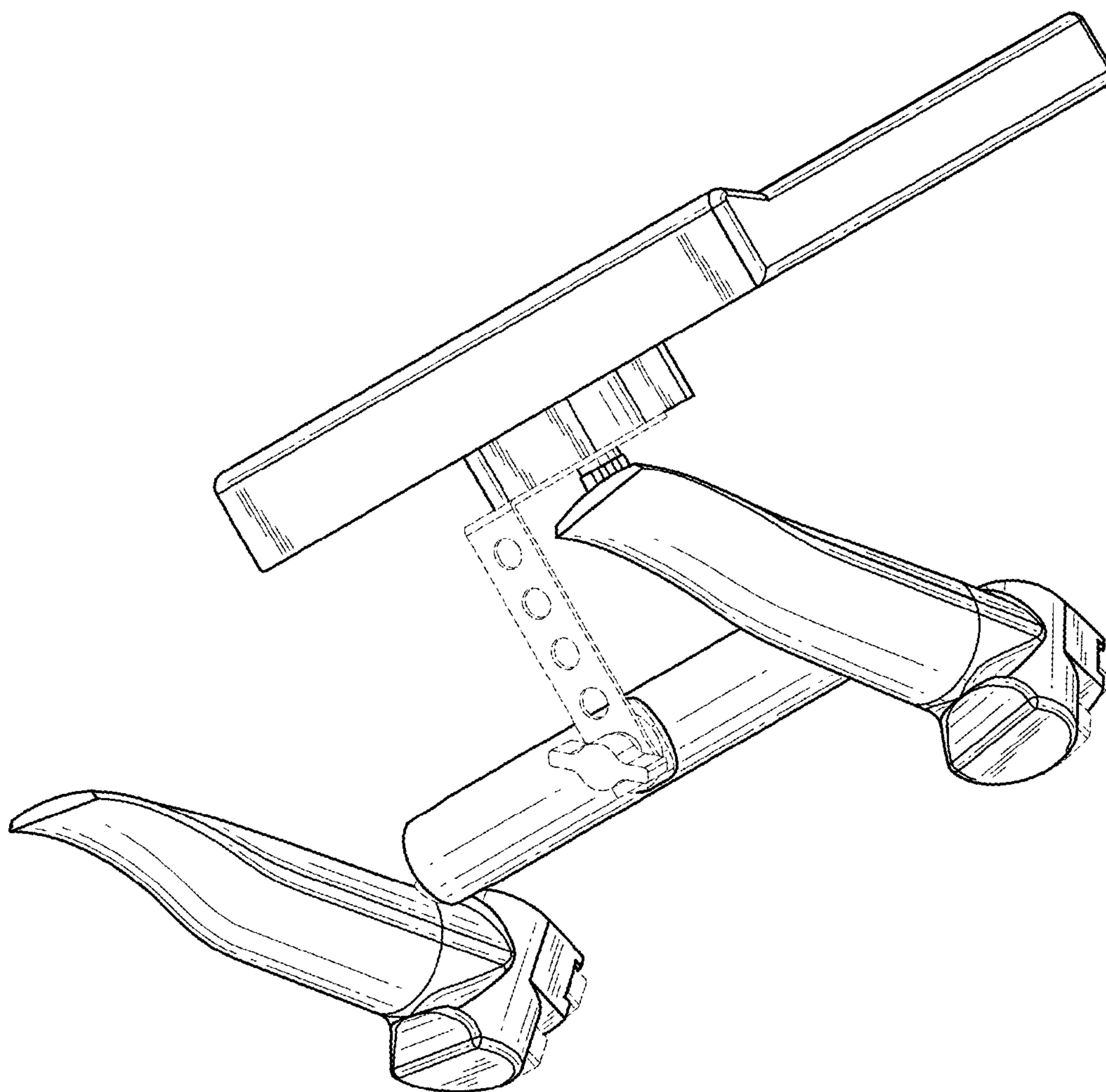


FIG. 2



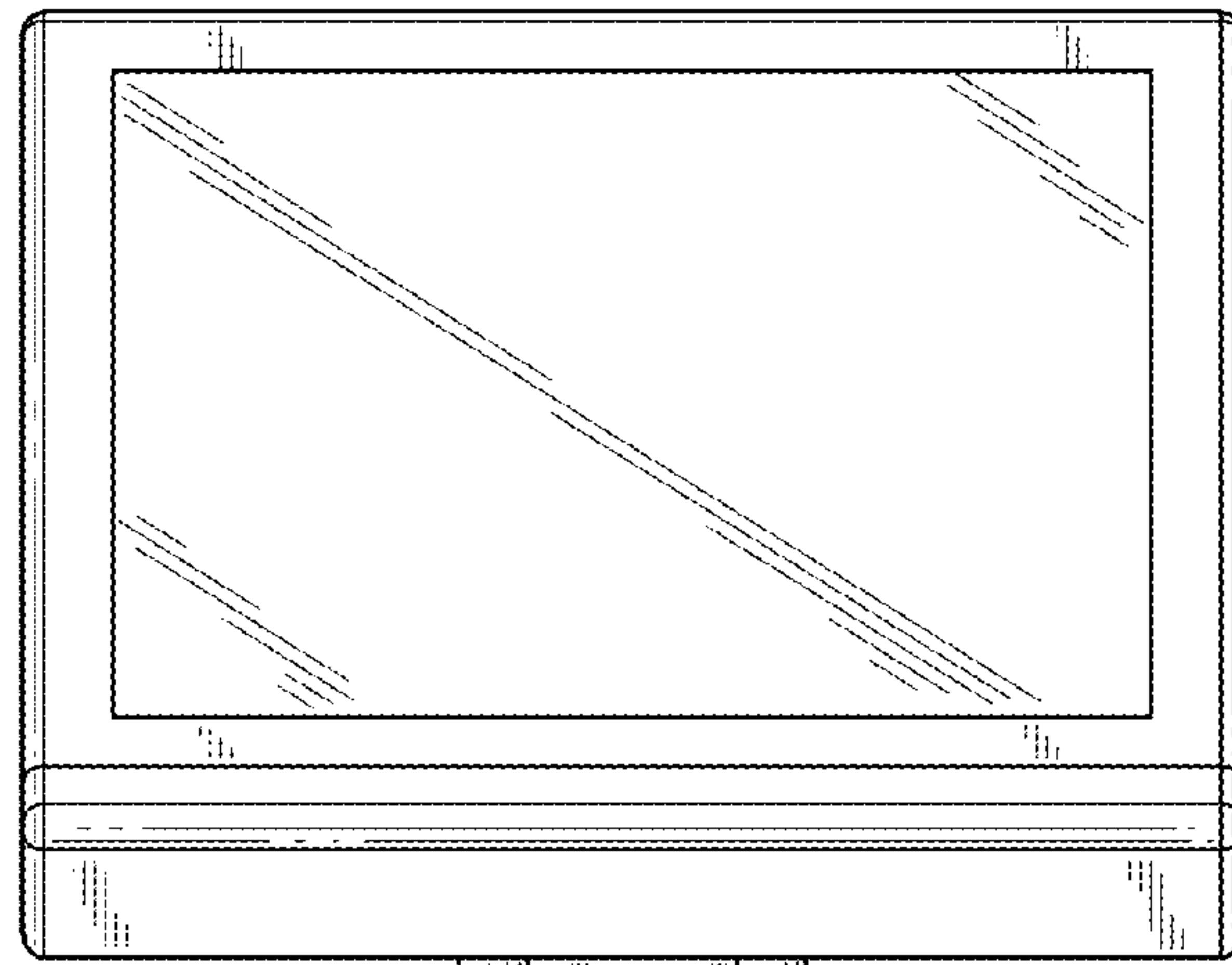


FIG. 3

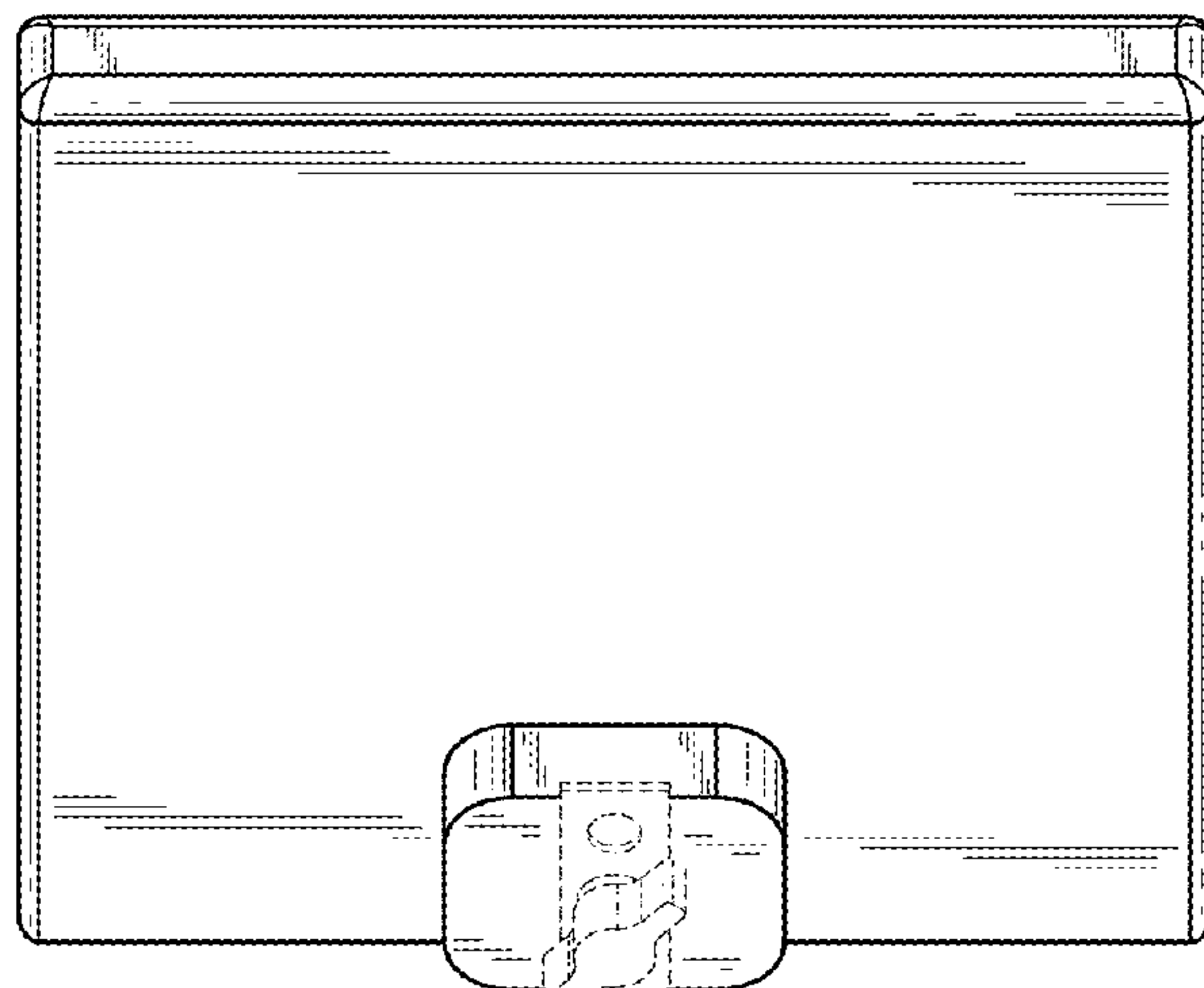
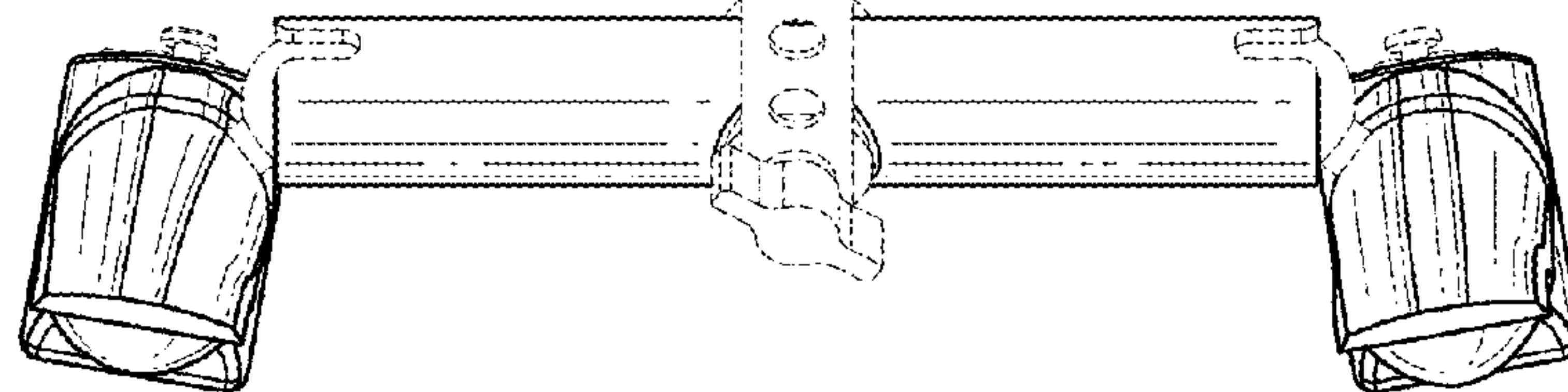
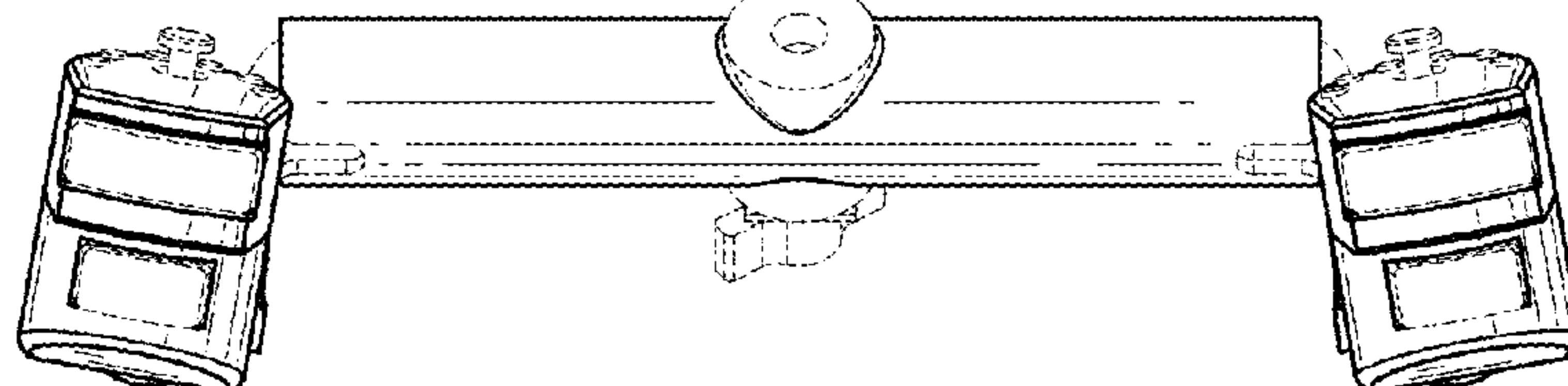


FIG. 4



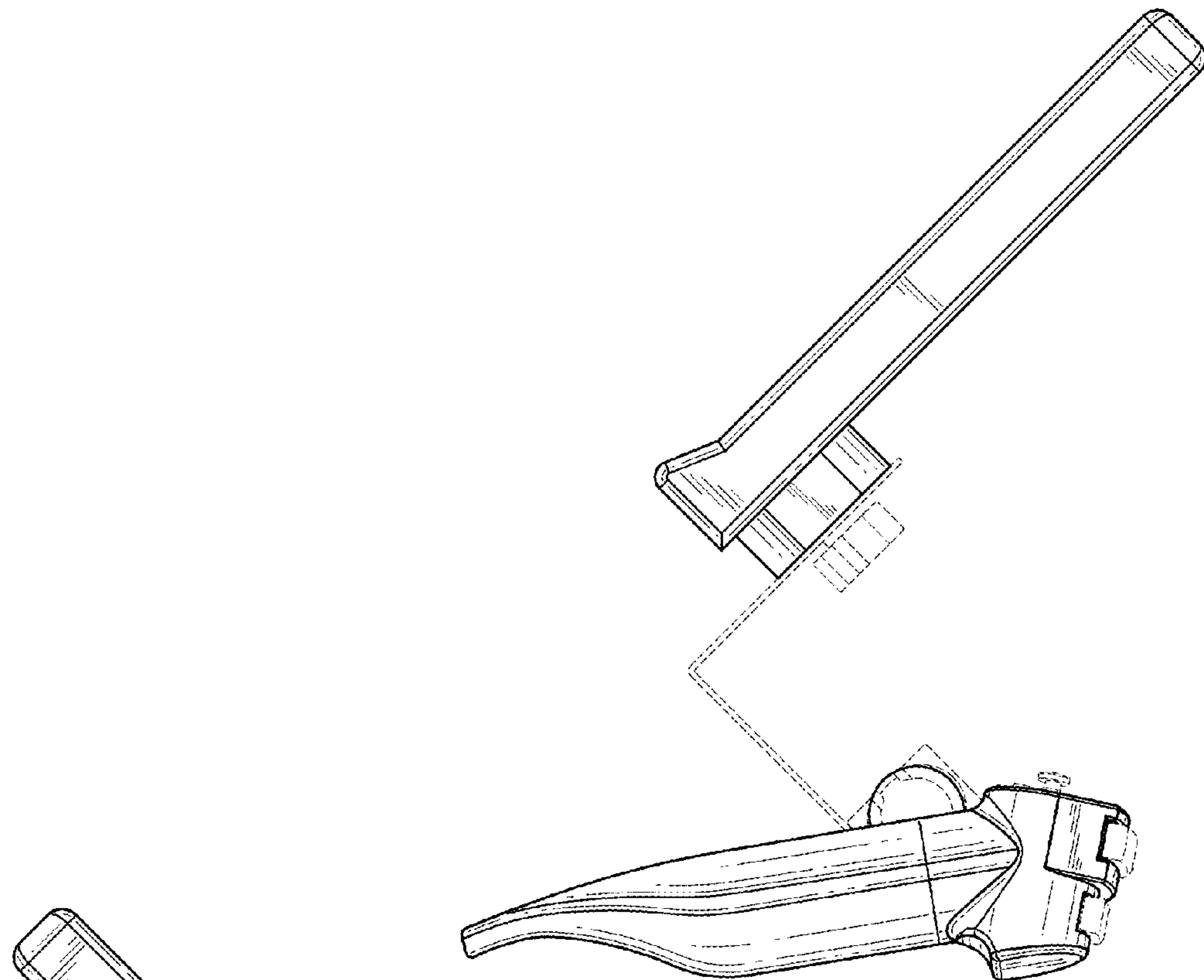


FIG. 5

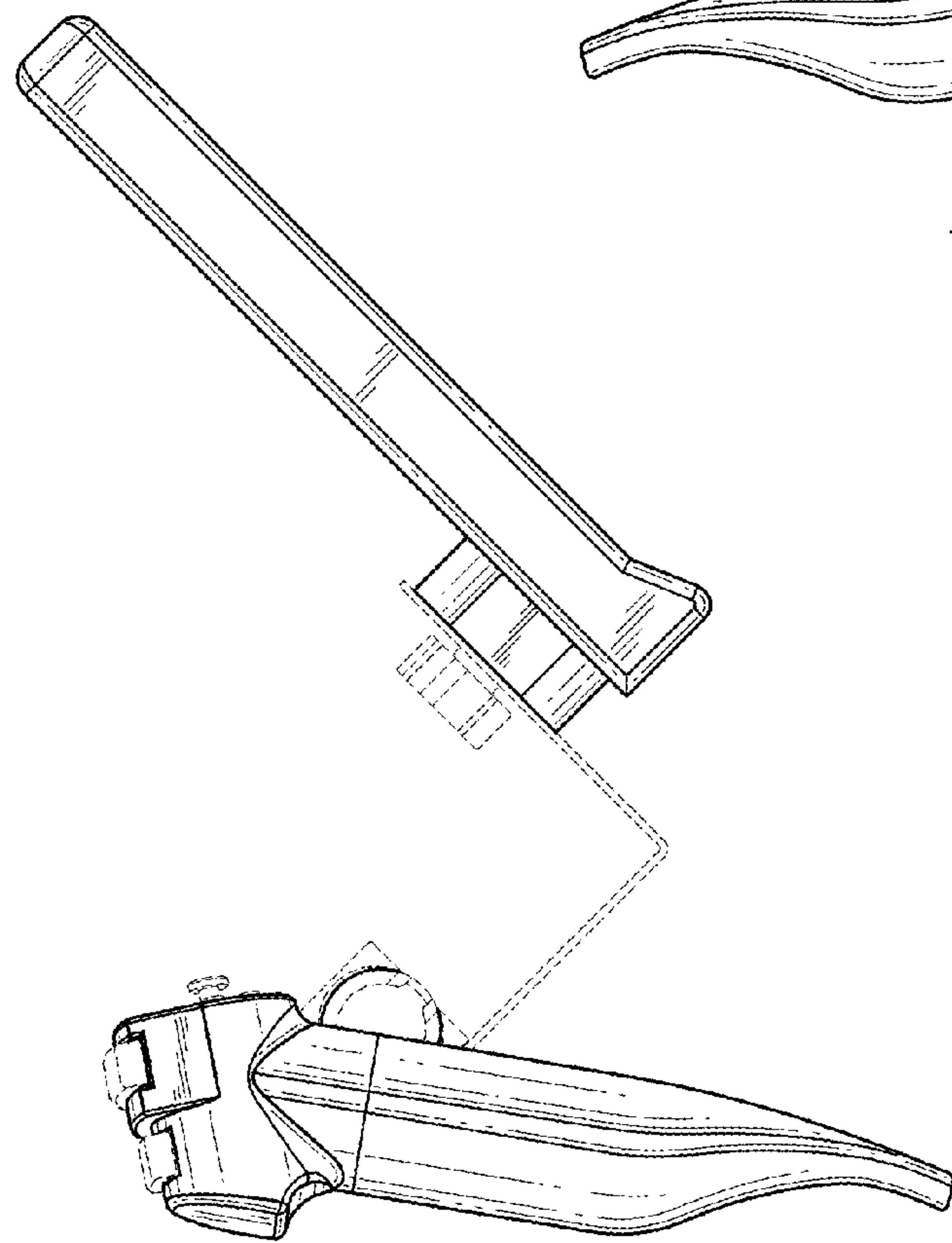


FIG. 6

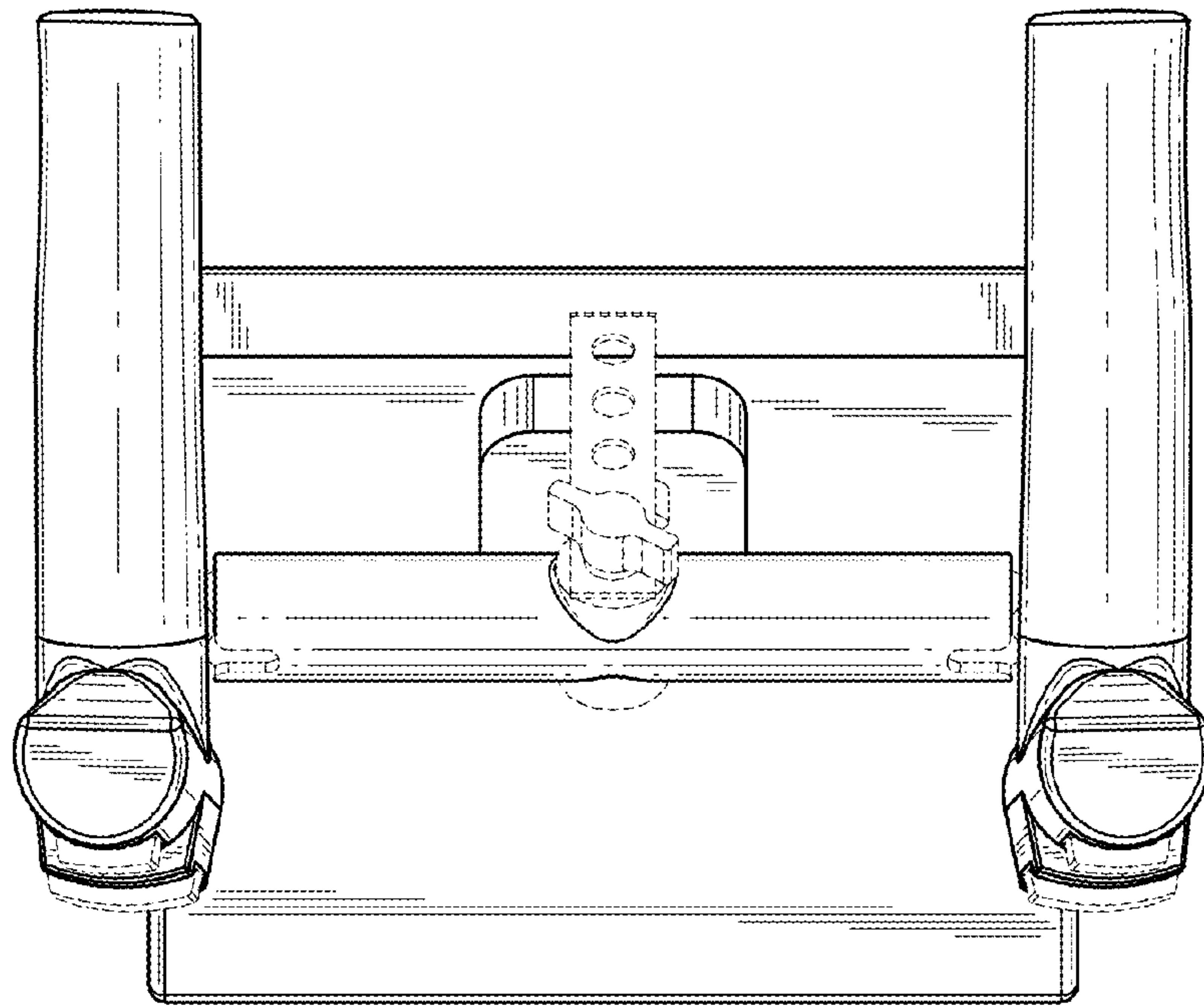


FIG. 7

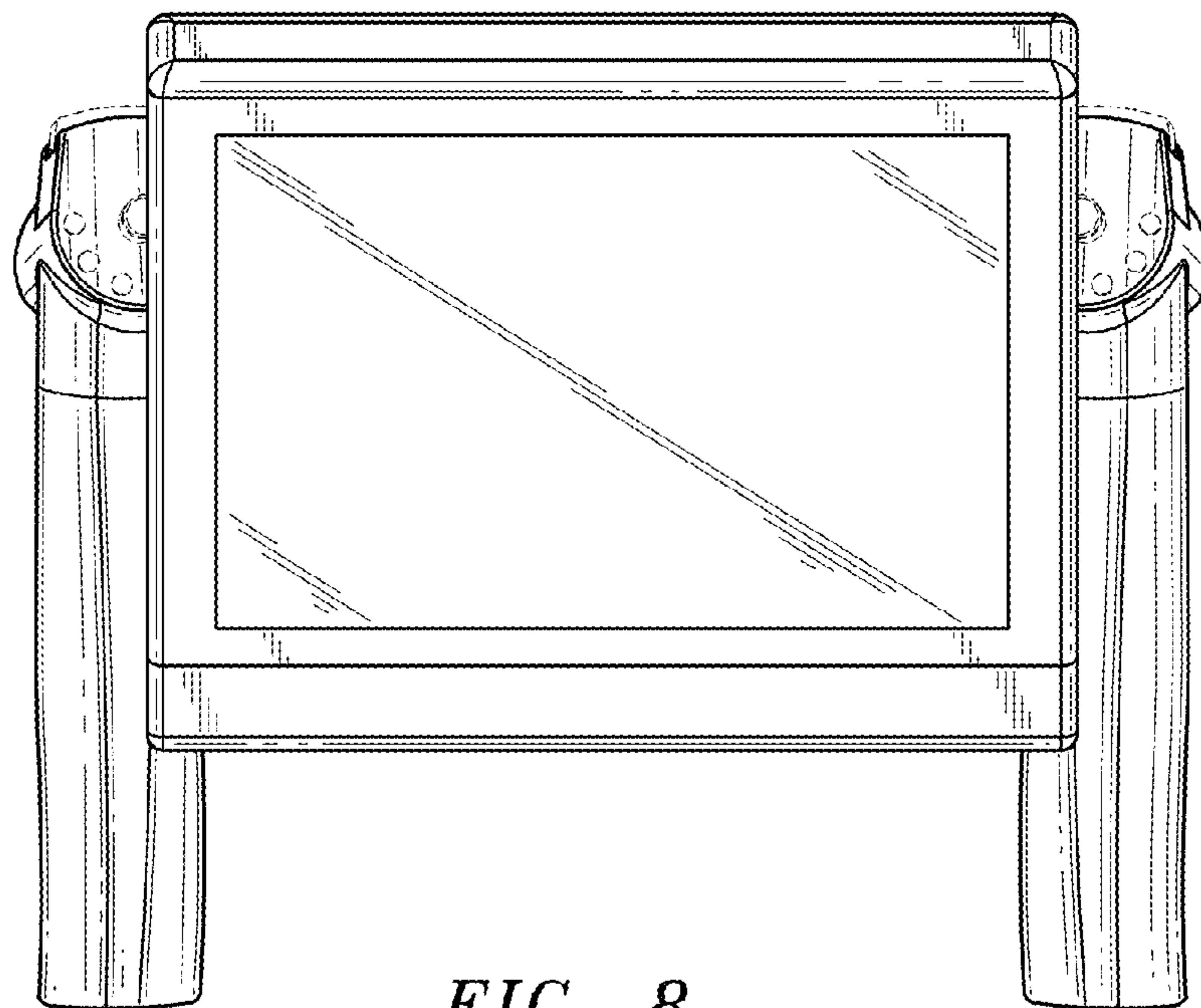


FIG. 8