



US00D703626S

(12) **United States Design Patent**
Hermansen

(10) **Patent No.:** **US D703,626 S**
(45) **Date of Patent:** **** Apr. 29, 2014**

(54) **TELEVISION WITH A STAND**

(75) Inventor: **Anders Hermansen**, Klampenborg (DK)

(73) Assignee: **Aktieselskabet AF** (DK)

(**) Term: **14 Years**

(21) Appl. No.: **29/415,349**

(22) Filed: **Mar. 9, 2012**

(30) **Foreign Application Priority Data**

Sep. 9, 2011 (EP) 001915224-0006

(51) **LOC (10) Cl.** **14-03**

(52) **U.S. Cl.**
USPC **D14/126**

(58) **Field of Classification Search**
USPC D14/440, 126, 125, 496; 312/7.2;
348/14.03, 14.02, 242, 253, 552, 553,
348/560, 566, 739; 248/917, 918, 919, 920,
248/921, 922, 923, 924; 345/156, 901, 903,
345/905; 720/600, 605; D21/329, 515, 577,
D21/622, 333, 448, 452, 450, 331; D6/477,
D6/479, 300; 273/148 B, 175, 356;
D10/15, 26

See application file for complete search history.

(56) **References Cited**

U.S. PATENT DOCUMENTS

D536,310 S * 2/2007 Kao D14/126
D560,626 S * 1/2008 Lee D14/126
D572,214 S * 7/2008 Lewis D14/126
D586,307 S * 2/2009 Chu D14/134

D586,769 S * 2/2009 Kita D14/126
D597,981 S * 8/2009 Kuether et al. D14/132
D600,661 S * 9/2009 Ohki et al. D14/126
D609,658 S * 2/2010 Kim et al. D14/126
D610,562 S * 2/2010 Chien D14/126
D617,290 S * 6/2010 Lewis D14/126
D619,553 S * 7/2010 Katsumata D14/126
D631,023 S * 1/2011 Kim et al. D14/126
D655,266 S * 3/2012 Kim D14/126
D672,737 S * 12/2012 Hermansen D14/126
D682,231 S * 5/2013 Lee et al. D14/126
D685,353 S * 7/2013 Wilkinson D14/239
D691,574 S * 10/2013 Homma et al. D14/132
D692,403 S * 10/2013 Takami et al. D14/126
D694,208 S * 11/2013 Duys et al. D14/126
D694,210 S * 11/2013 Fujii et al. D14/126
D694,245 S * 11/2013 Sanz D14/440

* cited by examiner

Primary Examiner — Cynthia Underwood

(74) *Attorney, Agent, or Firm* — Dykema Gossett PLLC

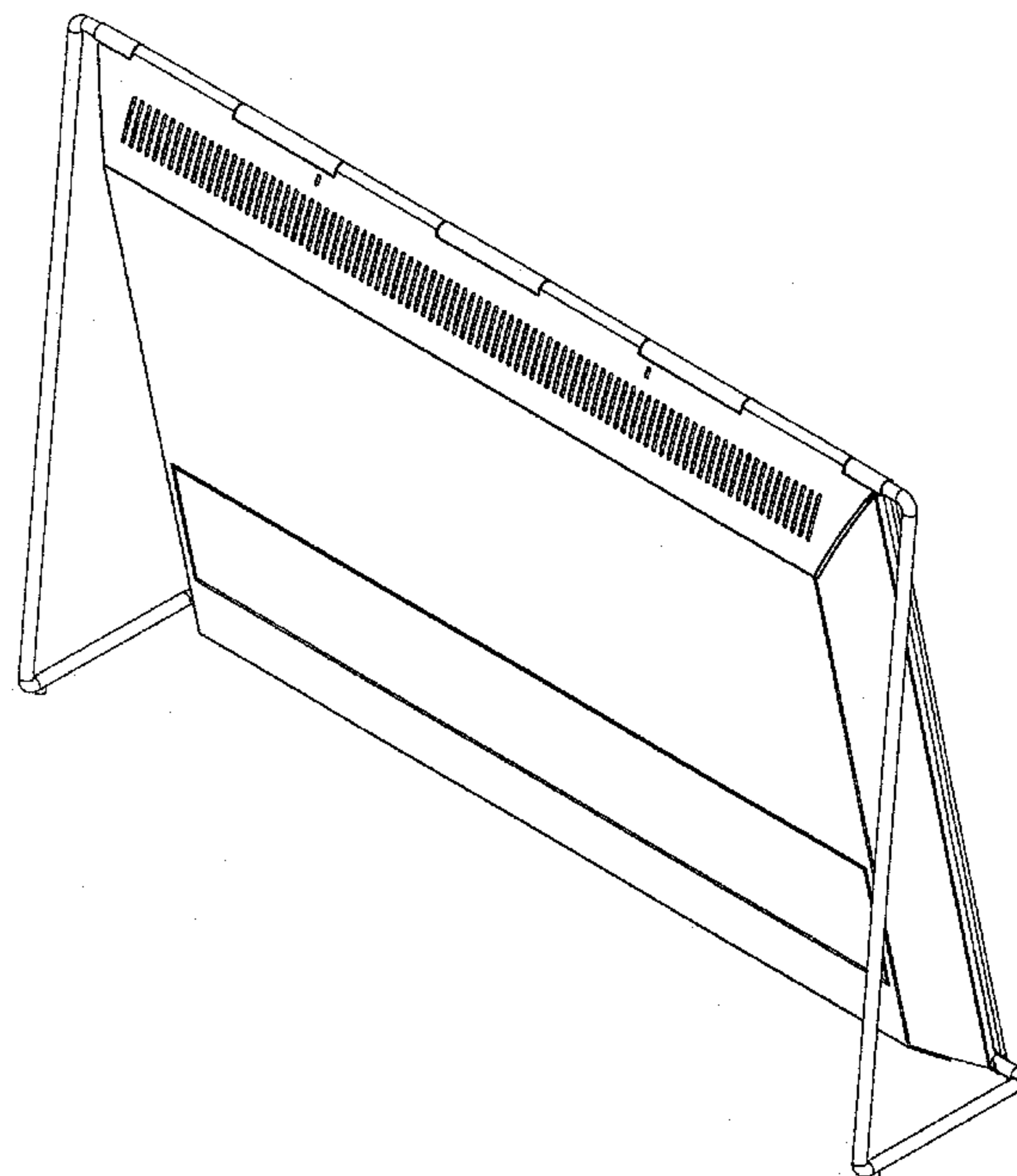
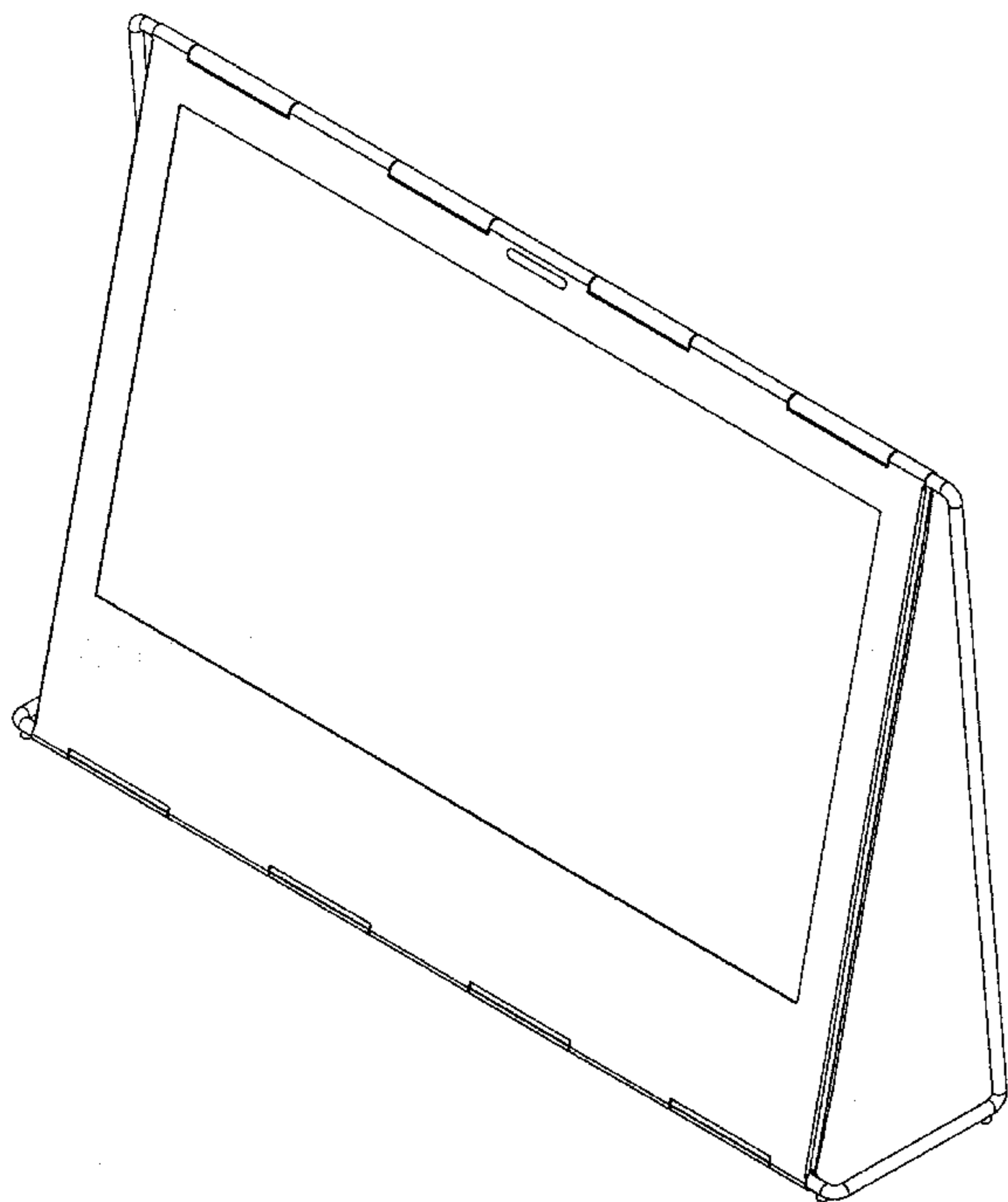
(57) **CLAIM**

The ornamental design for a television with a stand, as shown and described.

DESCRIPTION

FIG. 1 is a first perspective view of a television with a stand showing my new design;
FIG. 2 is a front elevational view thereof;
FIG. 3 is a rear elevational view thereof;
FIG. 4 is a right side elevational view thereof wherein the left side is a mirror image thereof;
FIG. 5 is a top plan view thereof;
FIG. 6 is a bottom plan view thereof; and,
FIG. 7 is a second perspective view thereof.

1 Claim, 7 Drawing Sheets



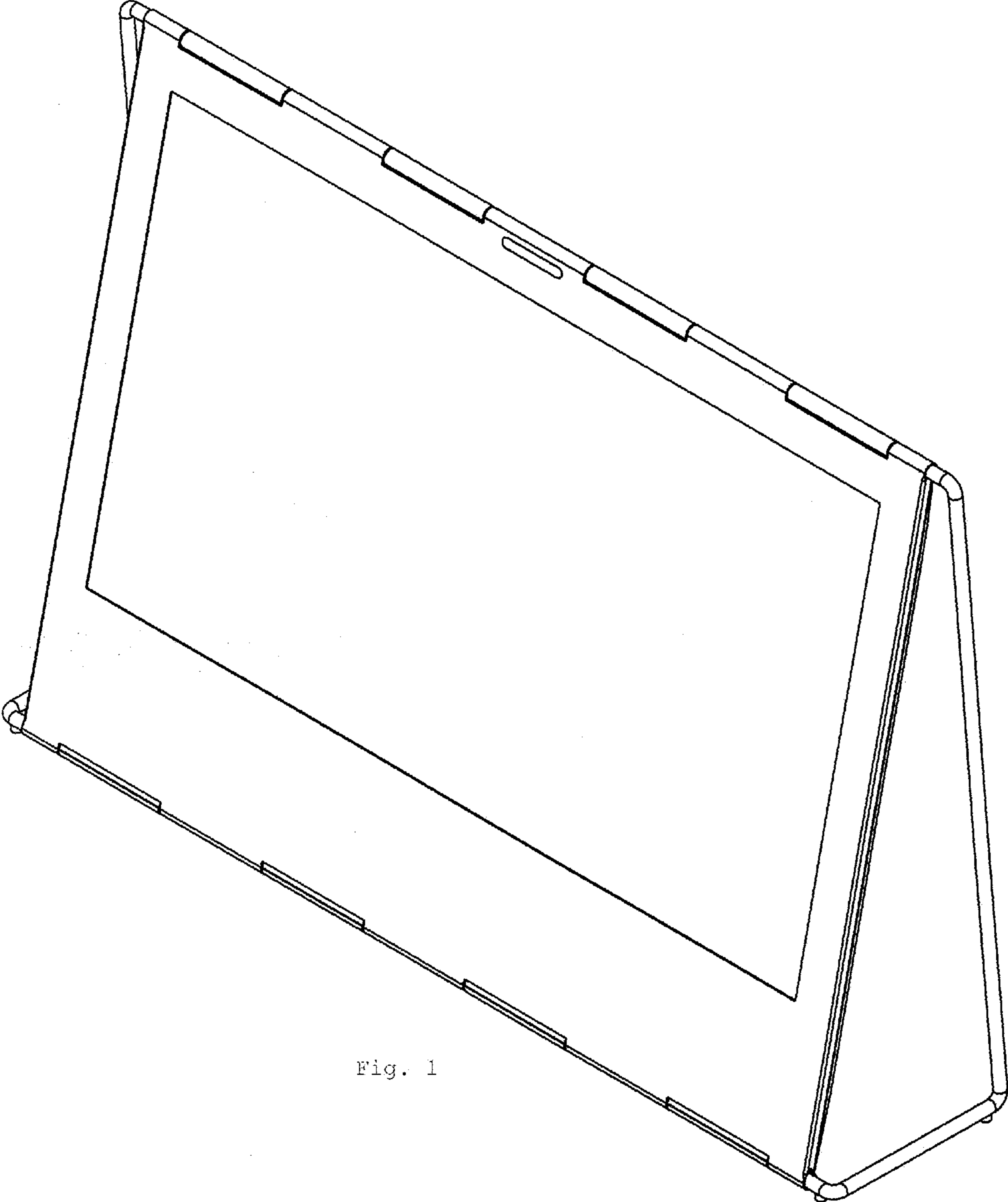


Fig. 1

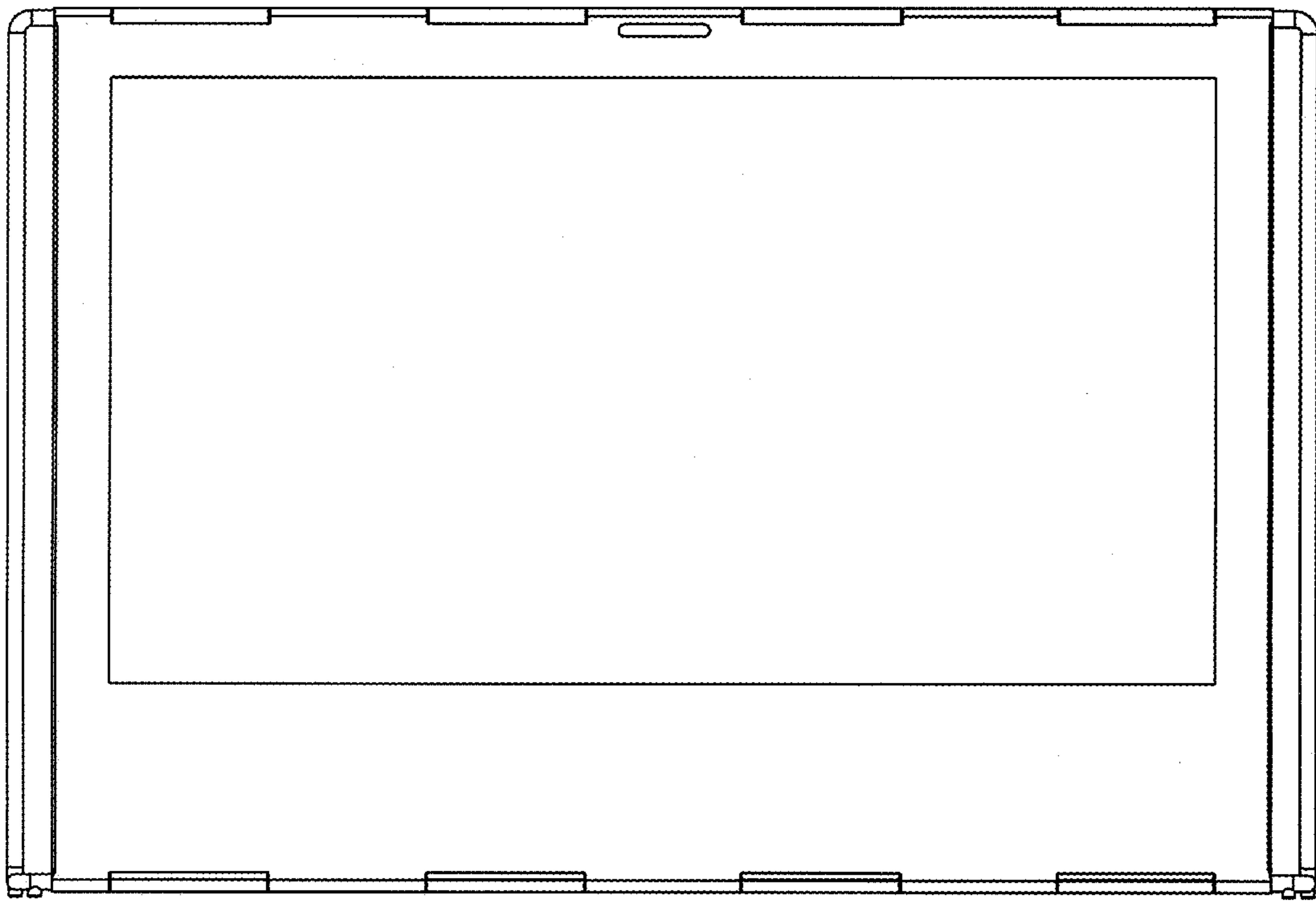


Fig. 2

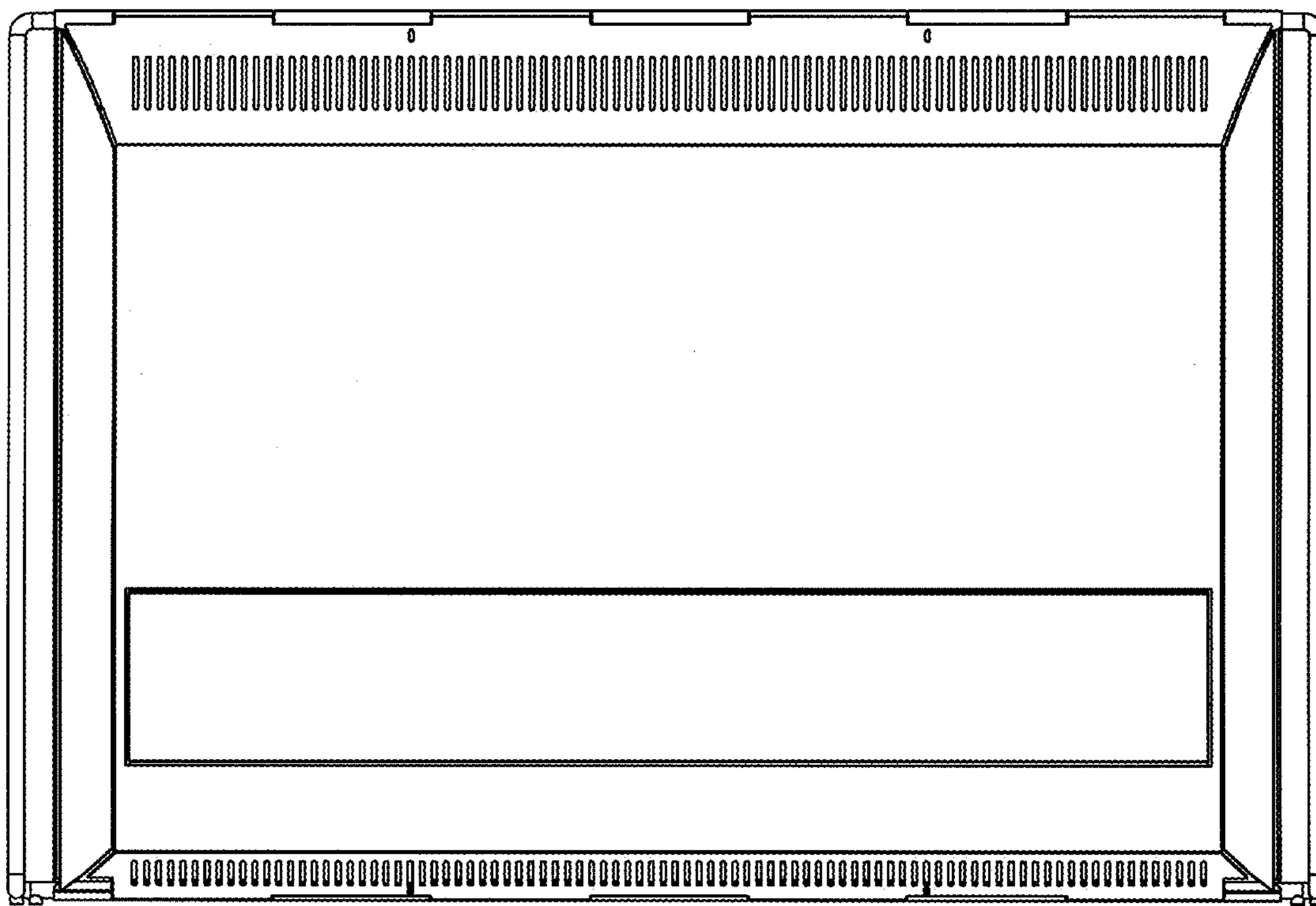


Fig. 3

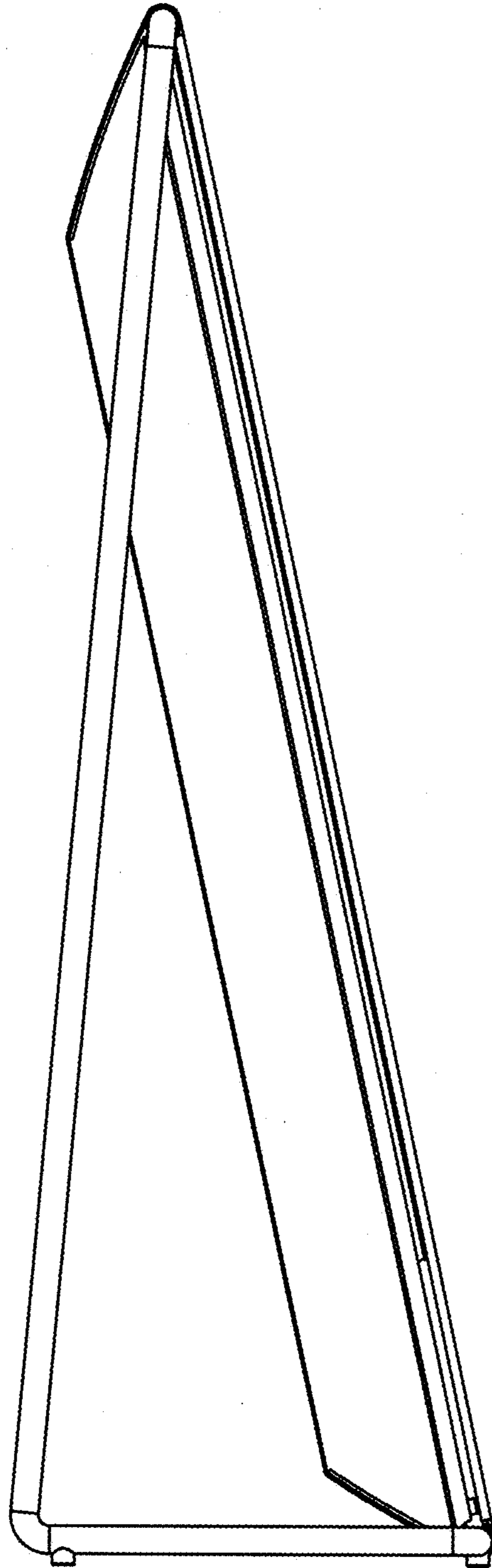


Fig. 4

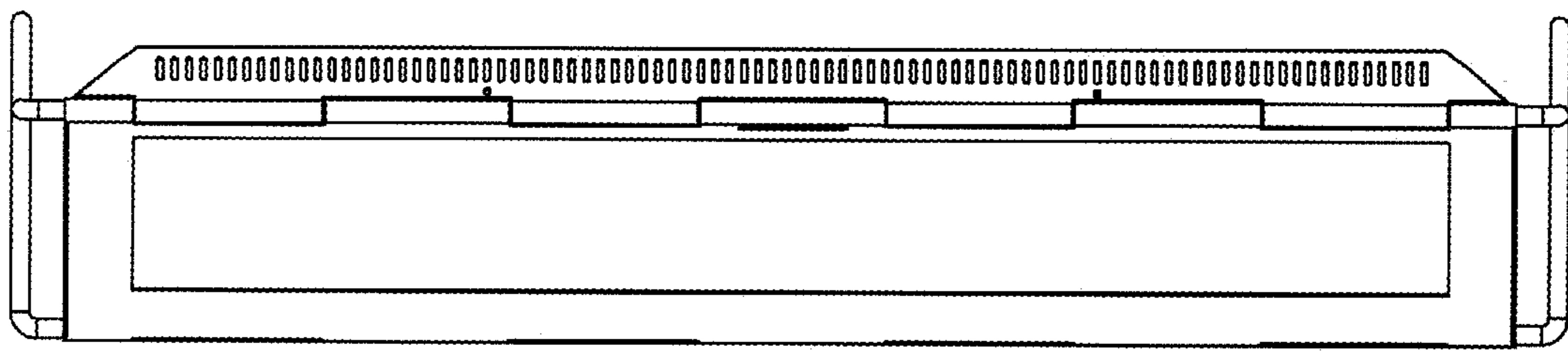


Fig. 5

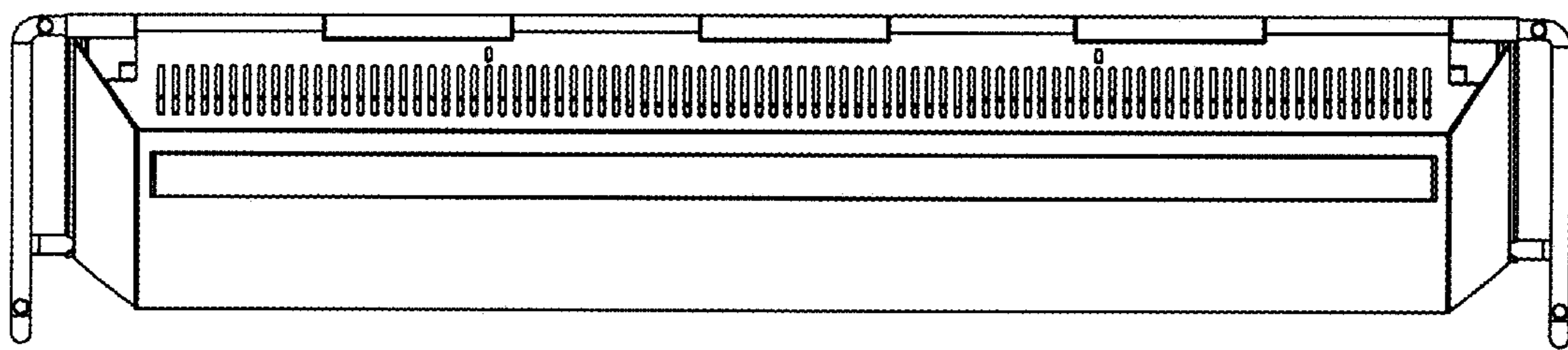


Fig. 6

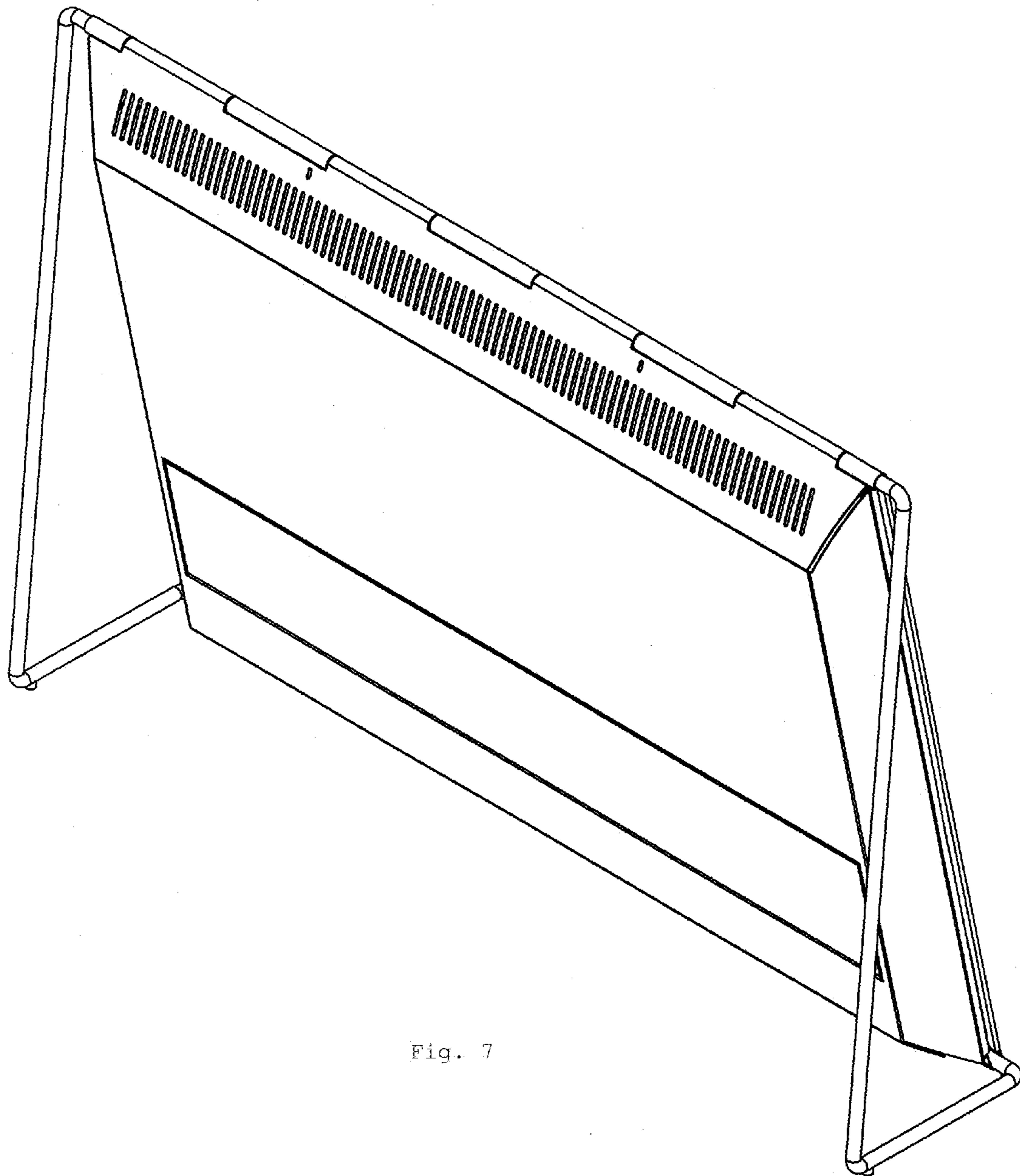


Fig. 7

UNITED STATES PATENT AND TRADEMARK OFFICE
CERTIFICATE OF CORRECTION

PATENT NO. : D703,626 S
APPLICATION NO. : 29/415349
DATED : April 29, 2014
INVENTOR(S) : Hermansen

Page 1 of 1

It is certified that error appears in the above-identified patent and that said Letters Patent is hereby corrected as shown below:

On the title page, under item (30) Foreign Application Priority Data

delete "Sep. 9, 2011 (EP).....001915224-0006"

and insert --Sep. 9, 2011 (EM).....001915224-0006--

Signed and Sealed this
Nineteenth Day of August, 2014



Michelle K. Lee
Deputy Director of the United States Patent and Trademark Office