



US00D703624S

(12) **United States Design Patent**
Andrews et al.

(10) **Patent No.:** **US D703,624 S**
(45) **Date of Patent:** **** Apr. 29, 2014**

(54) **LED-ARRAY PACKAGE**

OTHER PUBLICATIONS

(75) Inventors: **Peter Scott Andrews**, Durham, NC
(US); **Kurt S. Wilcox**, Libertyville, IL
(US)

U.S. Appl. No. 13/424,699 dated Mar. 20, 2012.

(Continued)

(73) Assignee: **Cree, Inc.**, Durham, NC (US)

Primary Examiner — Selina Sikder

(74) *Attorney, Agent, or Firm* — Jenkins, Wilson, Taylor & Hunt, P.A.

(**) Term: **14 Years**

(21) Appl. No.: **29/417,704**

(57) **CLAIM**

The ornamental design for an LED-array package, as shown and described.

(22) Filed: **Apr. 6, 2012**

(51) **LOC (10) Cl.** **13-03**

(52) **U.S. Cl.**
USPC **D13/180**

(58) **Field of Classification Search**
USPC D13/180; D26/1; 257/79, 80, 81, 88,
257/89, 95, 98, 99, 100, E33.058; 313/483,
313/498, 500; 362/555, 800
See application file for complete search history.

DESCRIPTION

(56) **References Cited**

U.S. PATENT DOCUMENTS

4,946,547	A	8/1990	Palmour	
5,200,022	A	4/1993	Kong	
RE34,861	E	2/1995	Davis	
6,853,010	B2	2/2005	Slater, Jr.	
7,213,940	B1	5/2007	Van De Ven	
7,549,786	B2	6/2009	Higley	
7,790,485	B2 *	9/2010	Nomura et al.	438/27
7,791,061	B2	9/2010	Edmond	
7,821,023	B2	10/2010	Yuan	
D634,718	S *	3/2011	Chuang et al.	D13/180
7,967,652	B2	6/2011	Emerson	
8,044,418	B2 *	10/2011	Loh et al.	257/98

(Continued)

FOREIGN PATENT DOCUMENTS

EP	002114934-0001	10/2012
EP	002114934-0002	10/2012

FIG. 1 is a perspective view of the LED-array package, a lens and light-emitting diodes (LEDs) being shown in phantom lines;

FIG. 2 is a front view of the LED-array package of FIG. 1;

FIG. 3 is a rear view of the LED-array package of FIG. 1;

FIG. 4 is a right-side elevation of the LED-array package of FIG. 1, the left-side elevation view being a mirror image thereof;

FIG. 5 is a top plan view of the LED-array package of FIG. 1;

FIG. 6 is a bottom plan view of the LED-array package of FIG. 1;

FIG. 7 is a perspective view of a submount portion of the LED-array package of FIG. 1;

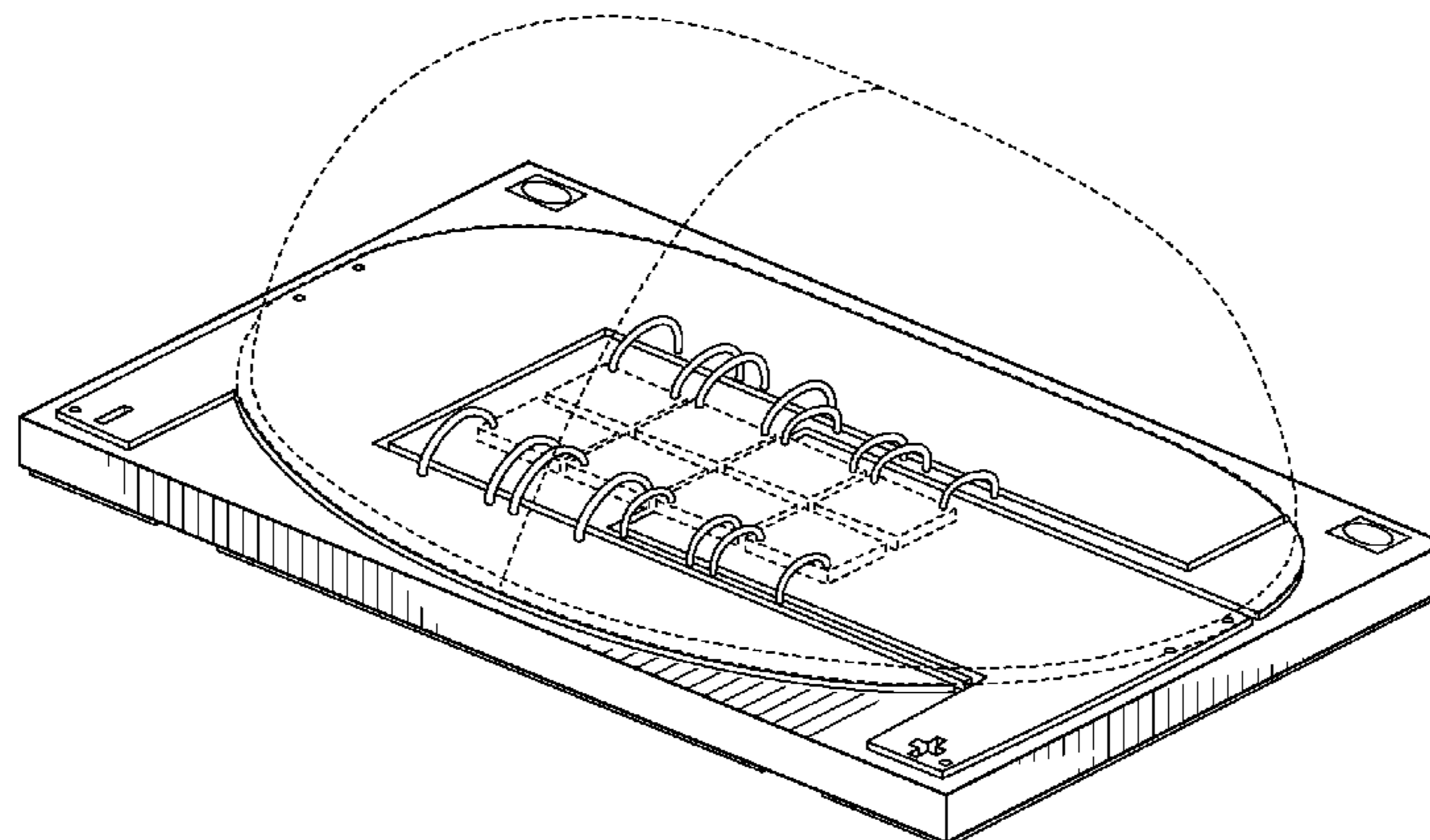
FIG. 8 is a front view of the submount portion of the LED-array package of FIG. 1;

FIG. 9 is a rear view of the submount portion of the LED-array package of FIG. 1;

FIG. 10 is a right-side elevation of the submount portion of the LED-array package of FIG. 1, the left-side elevation view being a mirror image thereof; and,

FIG. 11 is a top plan view of the submount portion of the LED-array package of FIG. 1.

1 Claim, 9 Drawing Sheets



(56)

References Cited

U.S. PATENT DOCUMENTS

8,058,088 B2 11/2011 Cannon
 D650,343 S * 12/2011 Andrews et al. D13/180
 D658,139 S * 4/2012 Andrews et al. D13/180
 8,267,550 B2 * 9/2012 Wang 362/294
 8,337,214 B2 12/2012 Sheek
 8,379,407 B2 2/2013 Bibee
 8,421,089 B2 * 4/2013 Kim 257/79
 2007/0158668 A1 7/2007 Tarsa
 2008/0054286 A1 * 3/2008 Loh et al. 257/98
 2008/0173884 A1 7/2008 Chitnis
 2008/0179611 A1 7/2008 Chitnis
 2008/0258130 A1 10/2008 Bergmann
 2009/0108281 A1 4/2009 Keller
 2009/0283787 A1 11/2009 Donofrio
 2010/0149771 A1 6/2010 Villard
 2010/0155763 A1 6/2010 Donofrio
 2011/0068696 A1 3/2011 Van de Ven
 2011/0068702 A1 3/2011 Van de Ven
 2011/0090691 A1 4/2011 Markle

2011/0220929 A1 9/2011 Collins
 2011/0309396 A1 * 12/2011 Wang et al. 257/98
 2012/0068198 A1 3/2012 Andrews
 2012/0193648 A1 8/2012 Donofrio
 2012/0193649 A1 8/2012 Donofrio
 2012/0193660 A1 8/2012 Donofrio
 2012/0305949 A1 12/2012 Donofrio
 2013/0092960 A1 4/2013 Wilcox et al.

OTHER PUBLICATIONS

Japanese Office Action for Application No. 2012-024518 dated Feb. 26, 2013.
 Chinese Office Action for Application No. 201230476421.3 dated Jul. 18, 2013.
 Japanese Invitation for Amendment for Application No. 2012-024518 dated Jul. 30, 2013.
 Japanese Decision of Registration for Design Application No. 2012-024518 dated Sep. 24, 2013.
 Restriction Requirement for U.S. Appl. No. 29/433,842 dated Oct. 2, 2013.

* cited by examiner

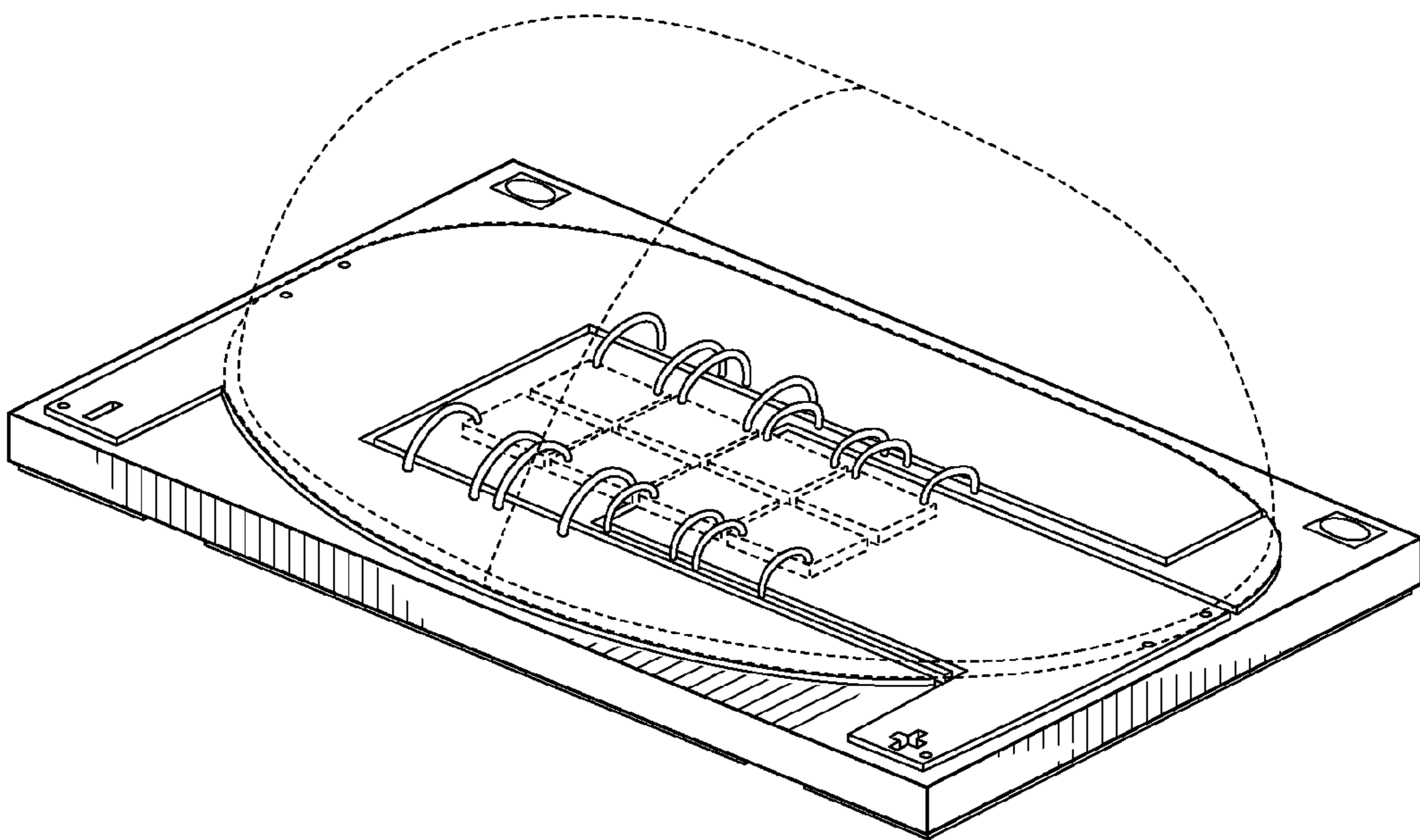


FIG. 1

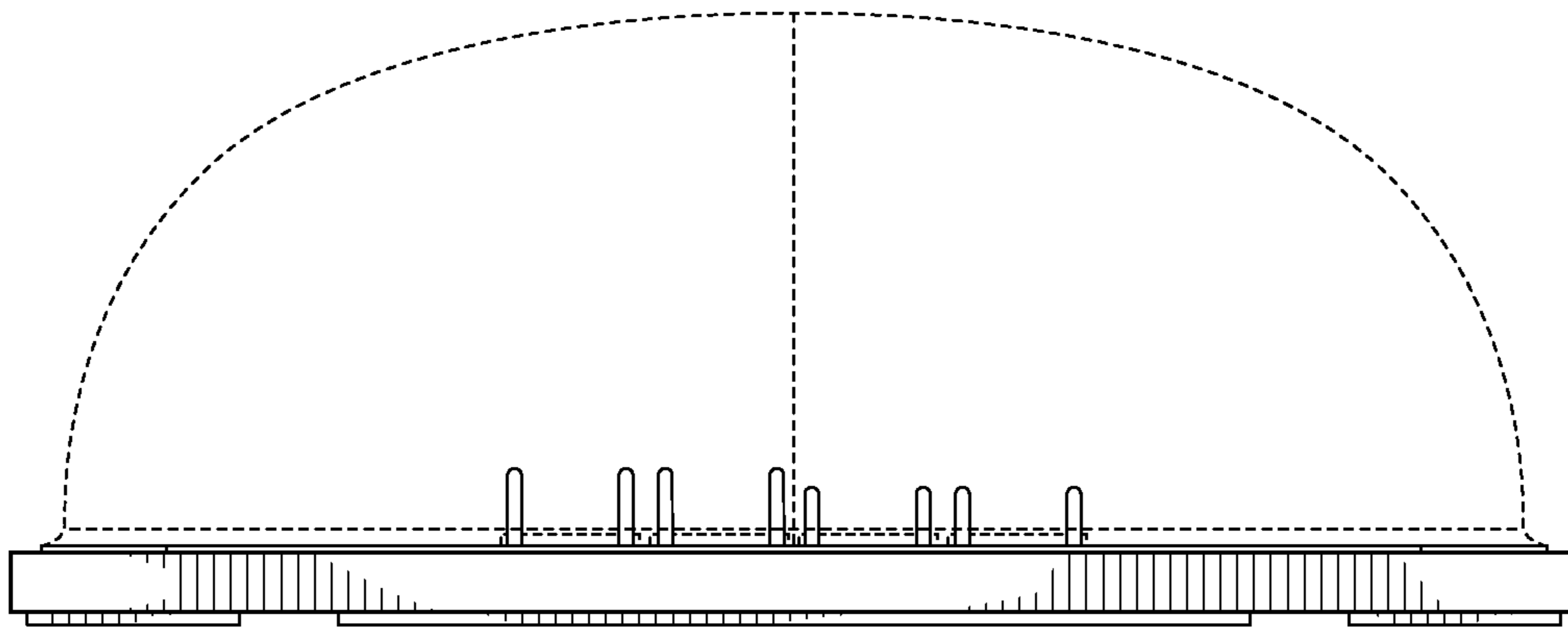


FIG. 2

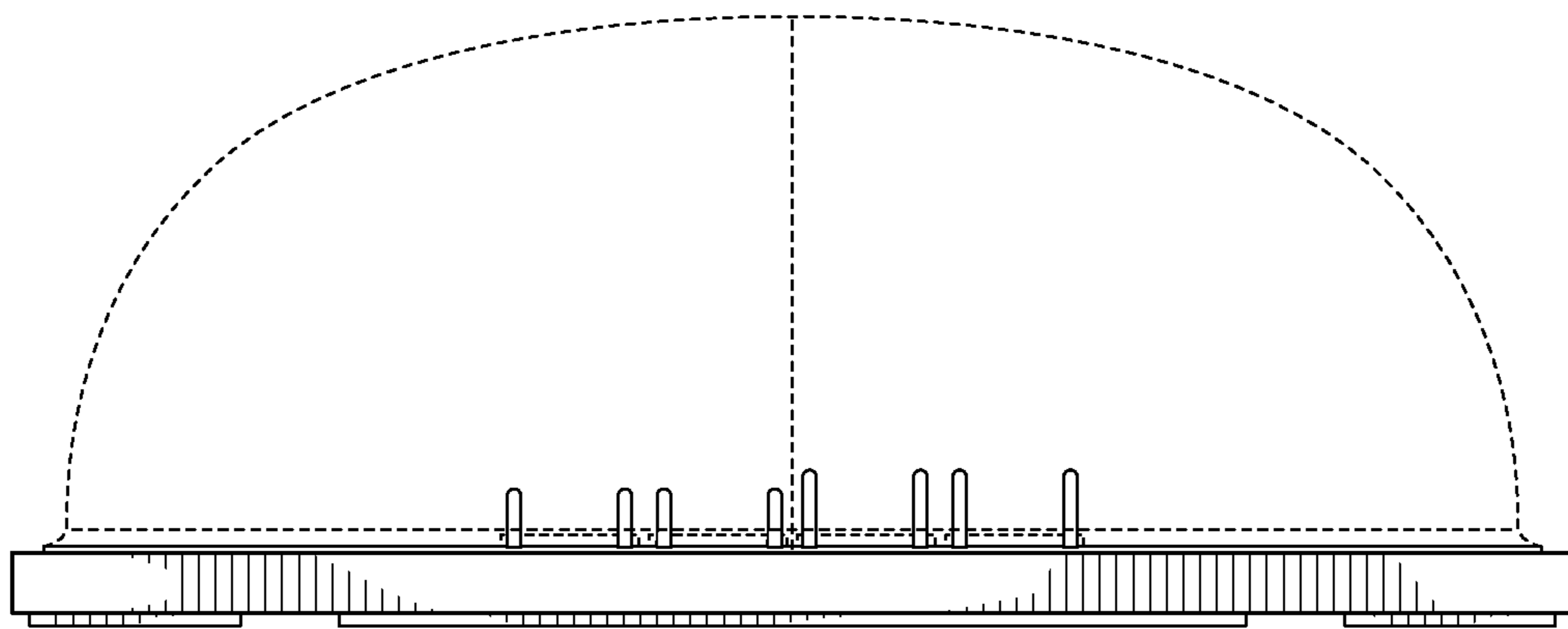


FIG. 3

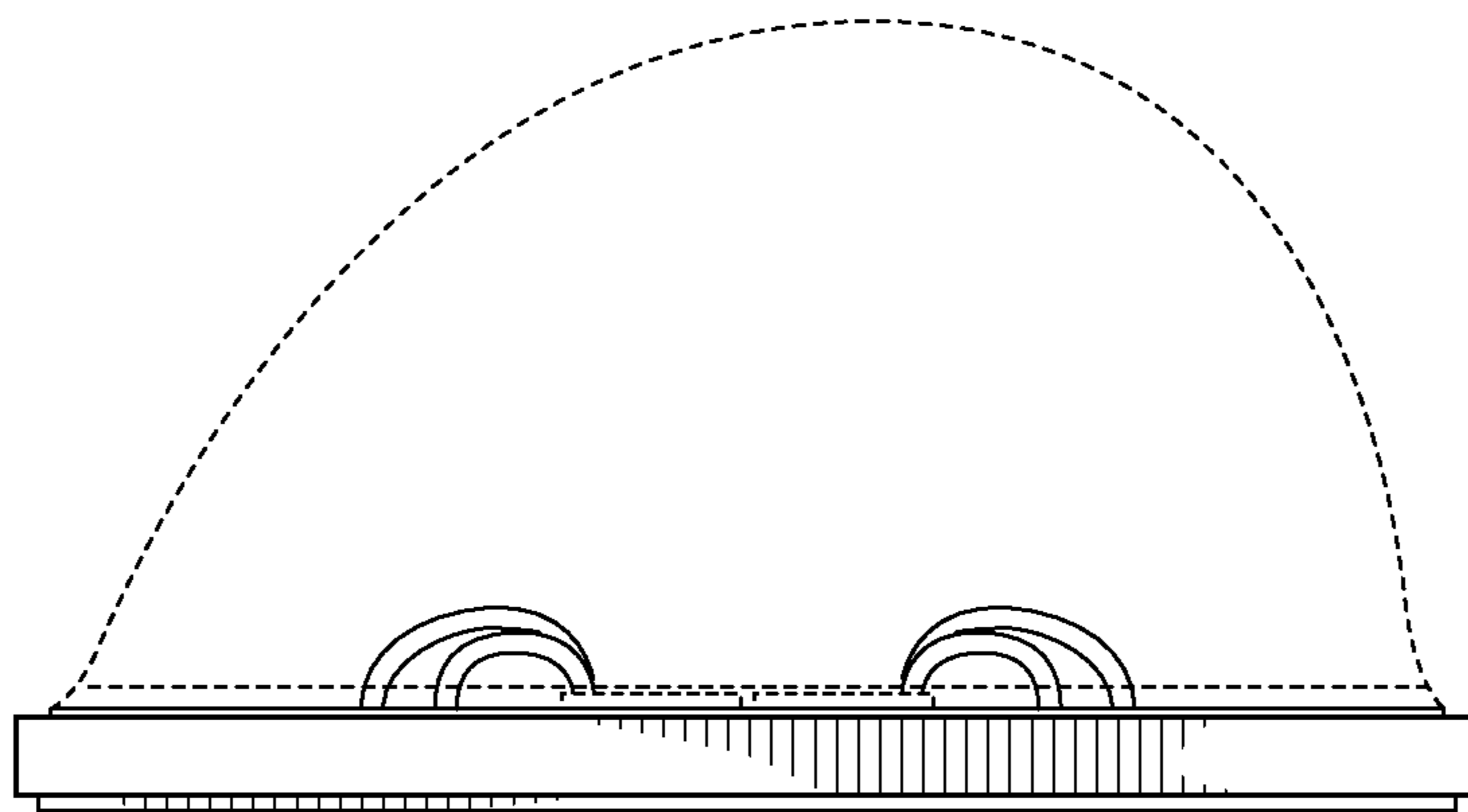


FIG. 4

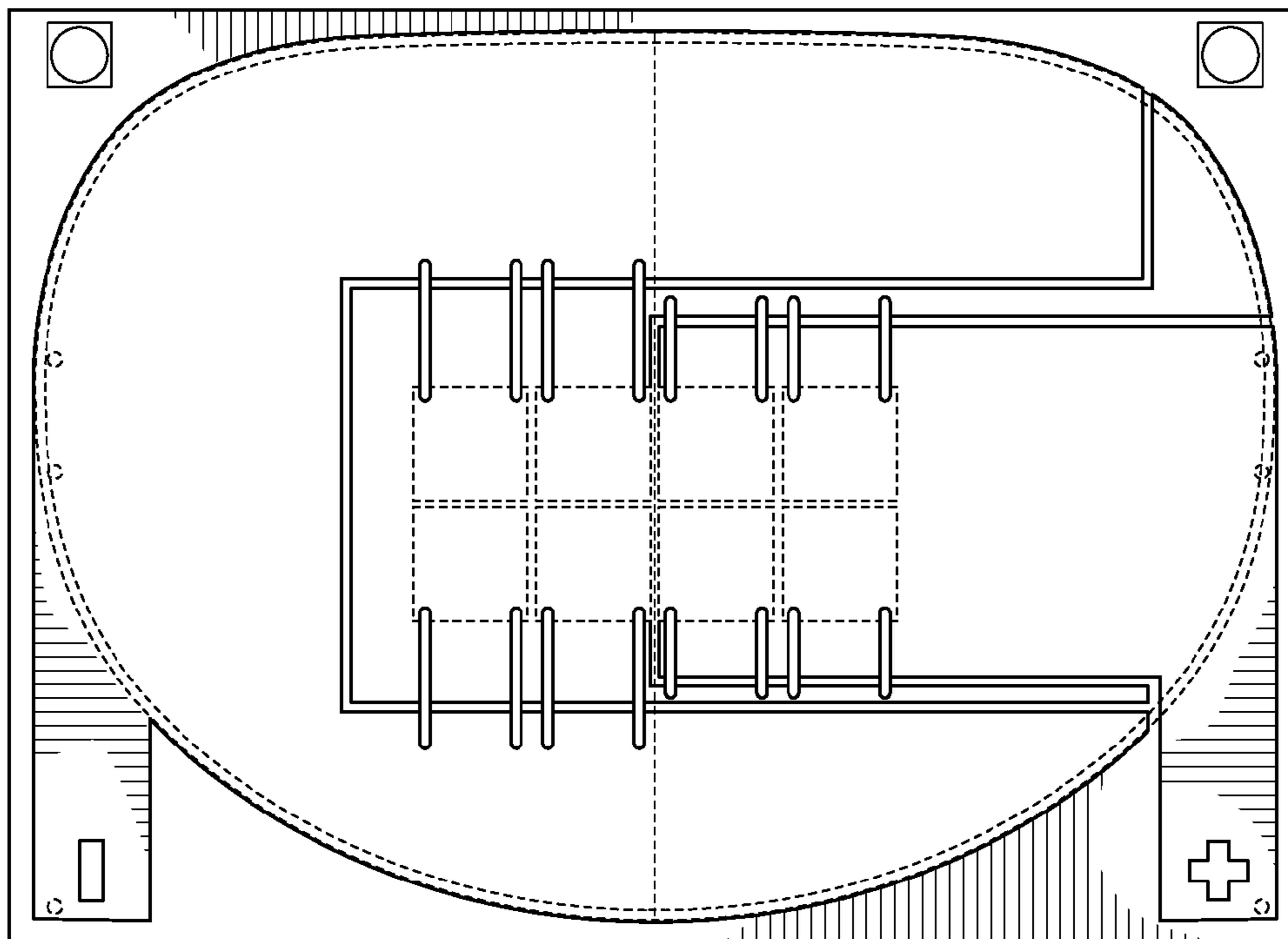


FIG. 5

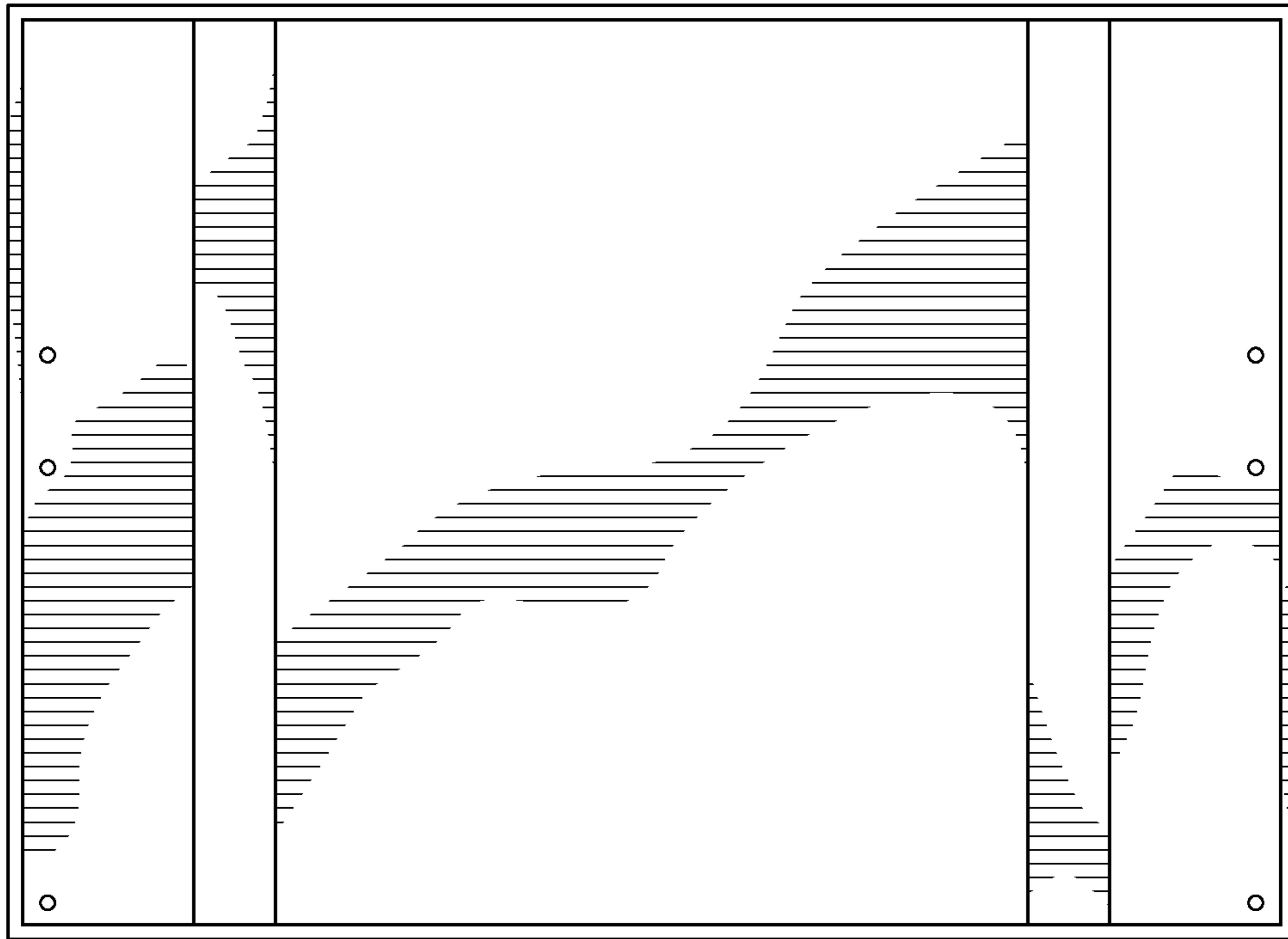


FIG. 6

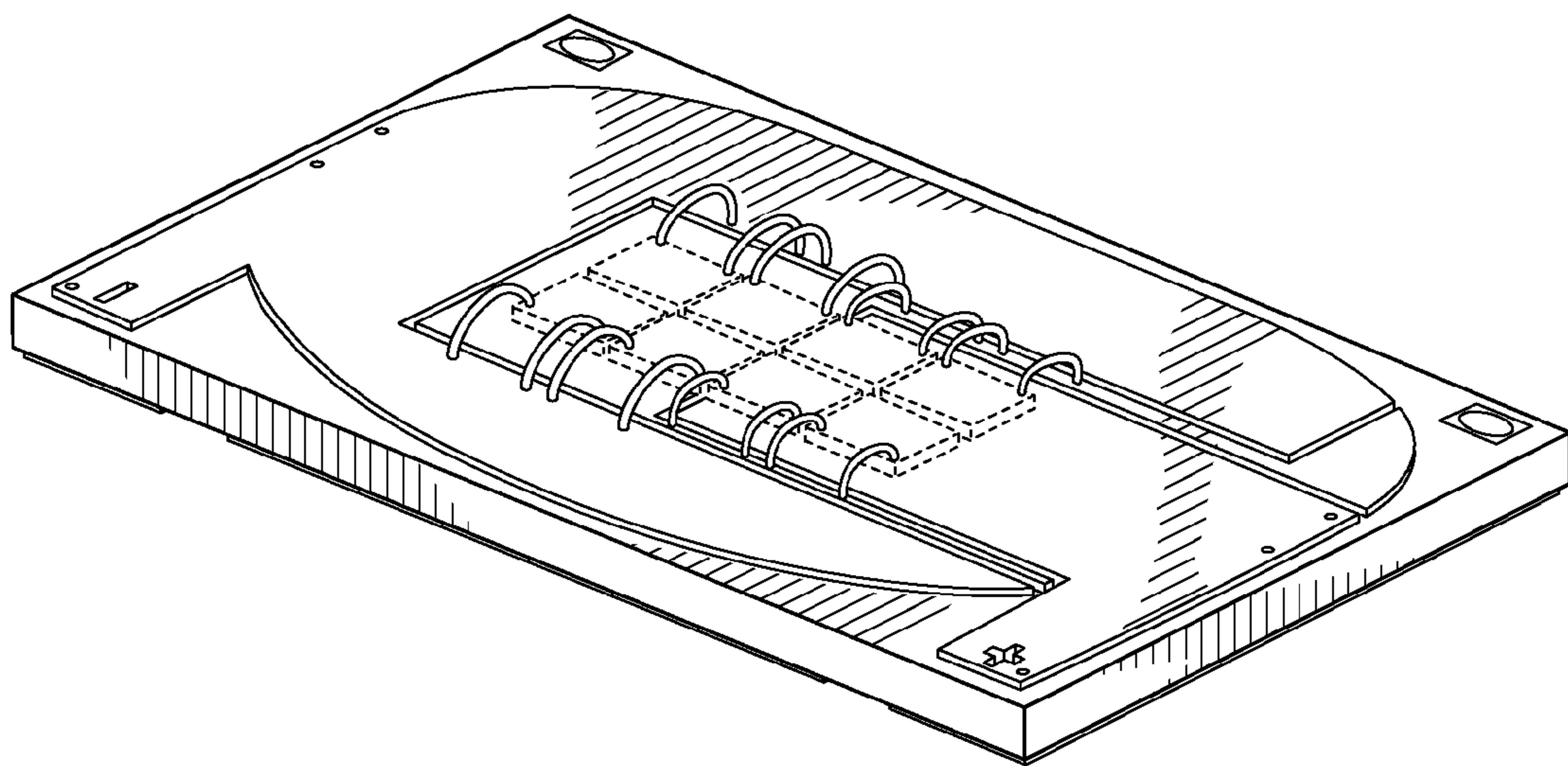


FIG. 7

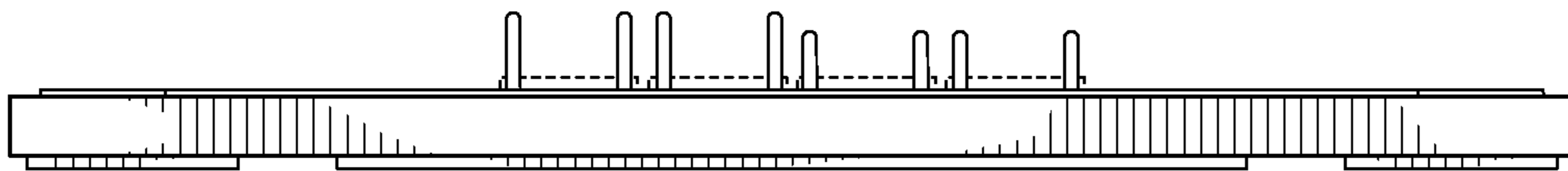


FIG. 8

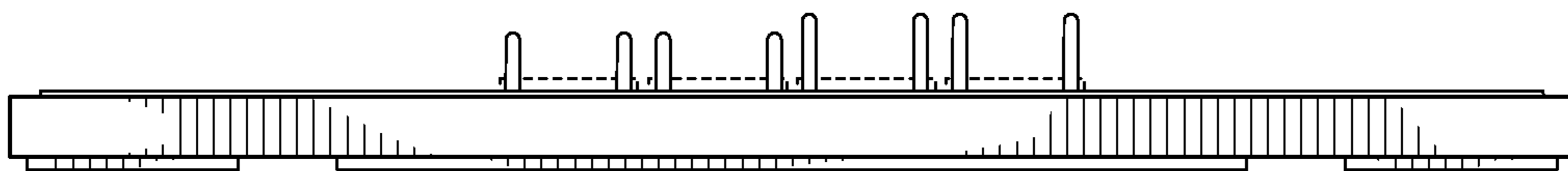


FIG. 9

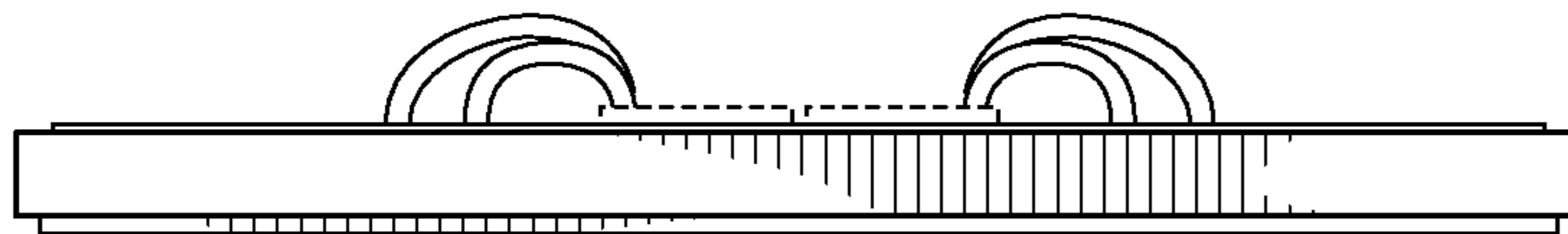


FIG. 10

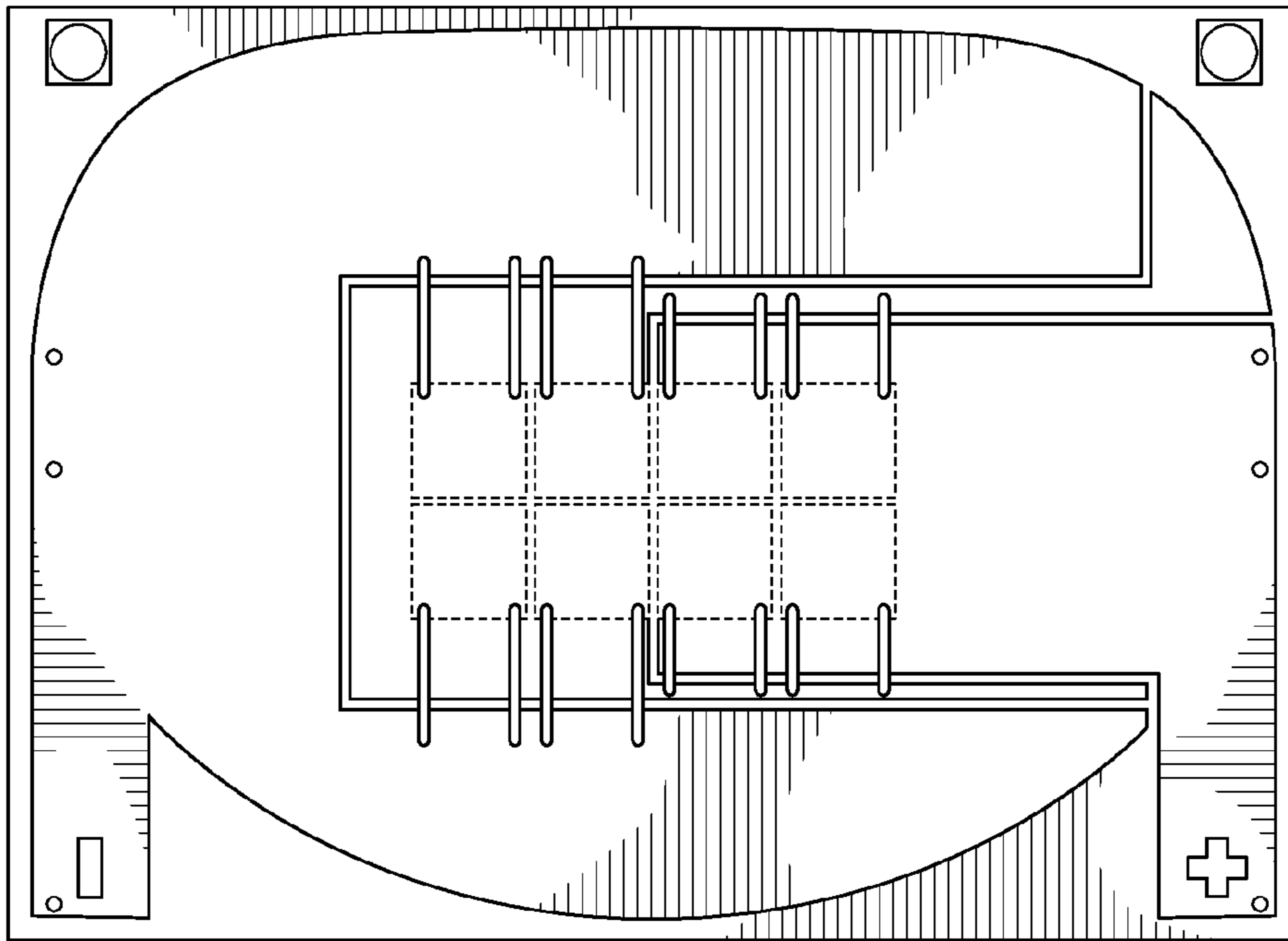


FIG. 11

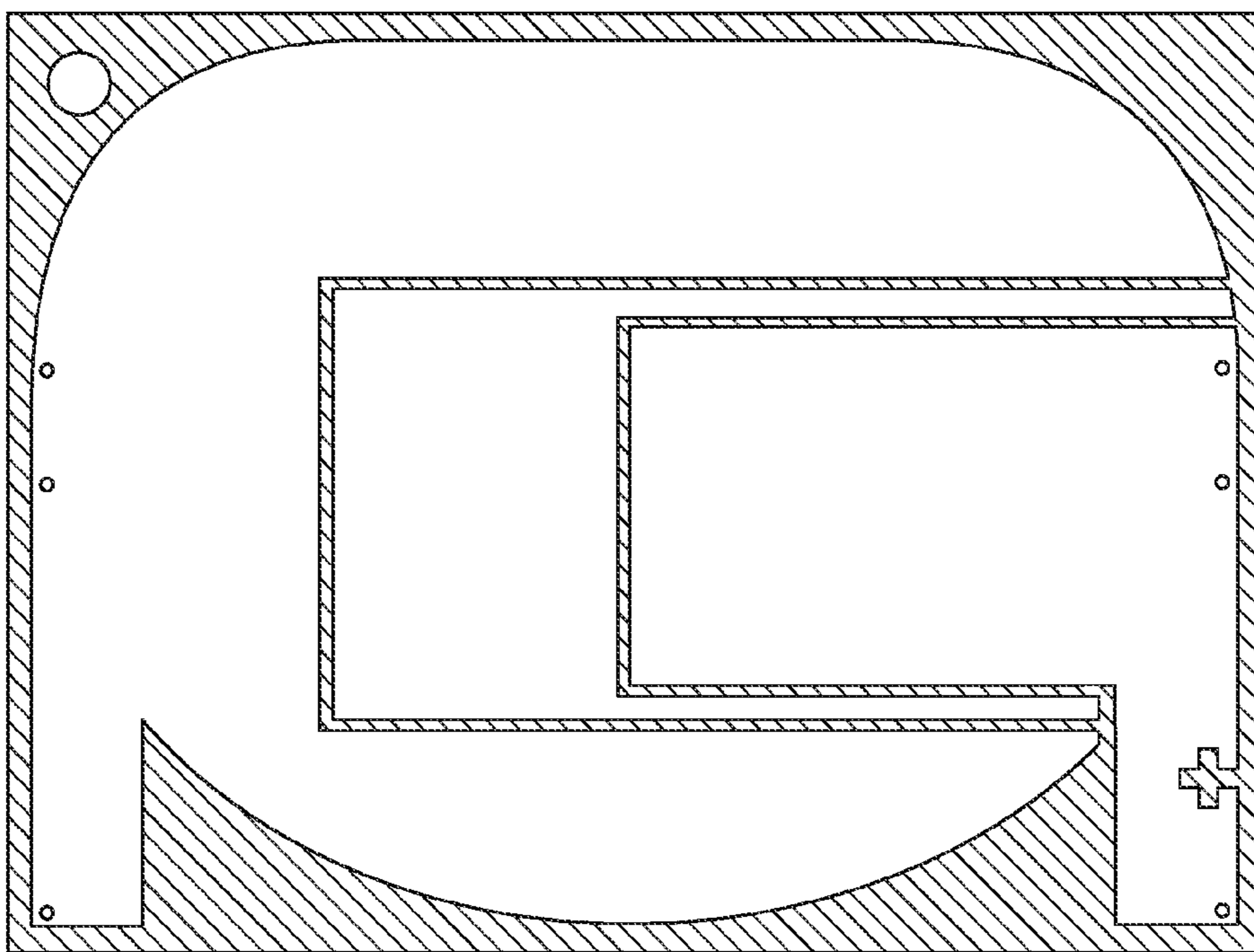


FIG. 11A