



US00D703622S

(12) **United States Design Patent**
Arioka et al.

(10) **Patent No.:** **US D703,622 S**
(45) **Date of Patent:** **** Apr. 29, 2014**

(54) **SHIELD FOR VACUUM CIRCUIT BREAKER**

(71) Applicants: **Masahiro Arioka**, Chiyoda-Ku (JP);
Tomotaka Yano, Chiyoda-Ku (JP);
Kyoichi Otsuka, Chiyoda-Ku (JP);
Satoru Yoshida, Chiyoda-Ku (JP);
Taehyun Kim, Chiyoda-Ku (JP); **Koji Sano**, Chiyoda-Ku (JP); **Yuta Nakayama**, Chiyoda-Ku (JP)

(72) Inventors: **Masahiro Arioka**, Chiyoda-Ku (JP);
Tomotaka Yano, Chiyoda-Ku (JP);
Kyoichi Otsuka, Chiyoda-Ku (JP);
Satoru Yoshida, Chiyoda-Ku (JP);
Taehyun Kim, Chiyoda-Ku (JP); **Koji Sano**, Chiyoda-Ku (JP); **Yuta Nakayama**, Chiyoda-Ku (JP)

(73) Assignee: **Mitsubishi Electric Corporation**, Tokyo (JP)

(**) Term: **14 Years**

(21) Appl. No.: **29/432,741**

(22) Filed: **Sep. 20, 2012**

(30) **Foreign Application Priority Data**

Mar. 23, 2012 (JP) 2012-006598

(51) **LOC (10) Cl.** **13-03**

(52) **U.S. Cl.**
USPC **D13/160**

(58) **Field of Classification Search**
USPC 200/4, 7, 10; 218/70-80, 138, 136, 139,
218/140, 144, 147, 153, 154, 155;
D13/160, 161, 171, 151, 177
See application file for complete search history.

(56) **References Cited**

U.S. PATENT DOCUMENTS

3,839,612 A * 10/1974 Badey et al. 218/4
3,983,345 A * 9/1976 Phillips 218/122

5,717,185 A * 2/1998 Smith 218/154
5,808,258 A * 9/1998 Luzzi 218/136
D456,354 S * 4/2002 Pickett et al. D13/123
6,573,469 B1 * 6/2003 Piazza 218/7
6,946,613 B2 * 9/2005 Otsuka et al. 218/79
7,250,583 B2 * 7/2007 Cameroni et al. 218/7
7,285,743 B2 * 10/2007 Martin 218/138
D585,391 S * 1/2009 Hood et al. D13/178
D590,353 S * 4/2009 Hood et al. D13/178
7,754,992 B2 * 7/2010 Stepniak et al. 218/146
7,902,479 B2 * 3/2011 Tsuchiya et al. 218/120
7,910,852 B2 * 3/2011 Chen et al. 218/153
8,039,771 B2 * 10/2011 Trondsen 218/136
8,071,905 B2 * 12/2011 Yoshitomo et al. 218/155
8,110,770 B2 * 2/2012 Ichikawa et al. 218/134
8,164,019 B2 * 4/2012 Schlaug et al. 218/129

(Continued)

OTHER PUBLICATIONS

630A 12kV Vacuum Interrupter with Silica Case for Outdoor Circuit Breaker, no image post date information, site visited Nov. 21, 2013 [online], © 1999-2013 Alibaba.com Hong Kong Limited and licensors. All rights reserved., <http://www.alibaba.com/product-gs/661322019/630A_12kV_Vacuum_Interrupter_with_Silica.html>.*

Primary Examiner — Deanna L Pratt

Assistant Examiner — Harold Blackwell, II

(74) *Attorney, Agent, or Firm* — Sughrue Mion, PLLC

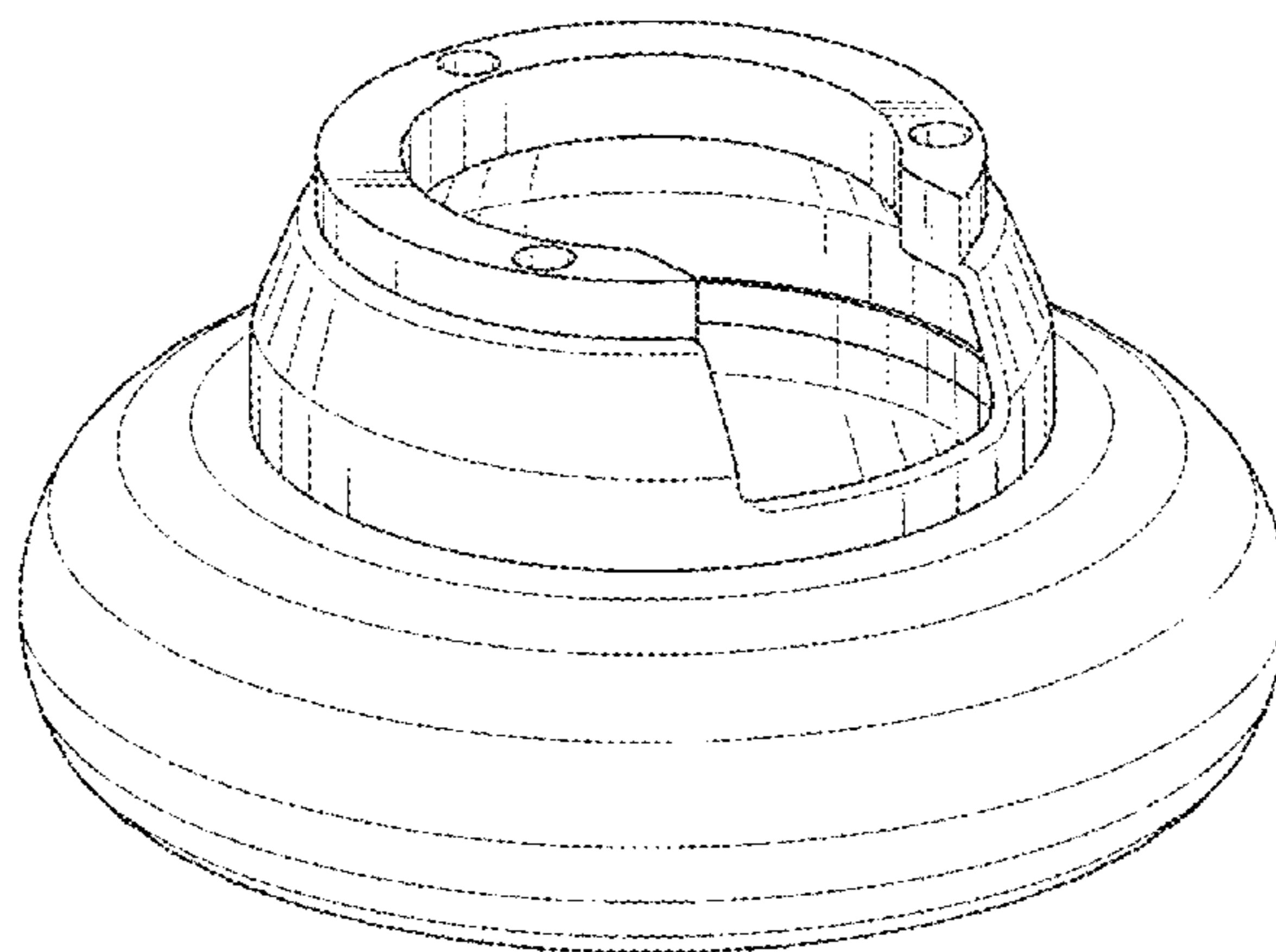
(57) **CLAIM**

The ornamental design for a shield for vacuum circuit breaker, as shown and described.

DESCRIPTION

FIG. 1 is a front, top and right side perspective view of a shield for vacuum circuit breaker, showing our new design; FIG. 2 is a front elevational view thereof; FIG. 3 is a left side elevational view thereof; FIG. 4 is a right side elevational view thereof; FIG. 5 is a top plan view thereof; FIG. 6 is a bottom plan view thereof; and, FIG. 7 is a cross-sectional view thereof; taken along line 7-7 of FIG. 5.

1 Claim, 5 Drawing Sheets



(56)

References Cited

U.S. PATENT DOCUMENTS

8,168,910 B2 * 5/2012 Schlaug et al. 218/129
D662,057 S * 6/2012 Natoli D13/151
D662,059 S * 6/2012 Amidon et al. D13/151

D672,725 S * 12/2012 Svelnis et al. D13/151
D672,726 S * 12/2012 Svelnis et al. D13/151
RE44,036 E * 3/2013 McCord 250/515.1
D680,971 S * 4/2013 Furuhashi et al. D13/160
8,440,913 B2 * 5/2013 Stull et al. 174/161 R

* cited by examiner

Fig. 1

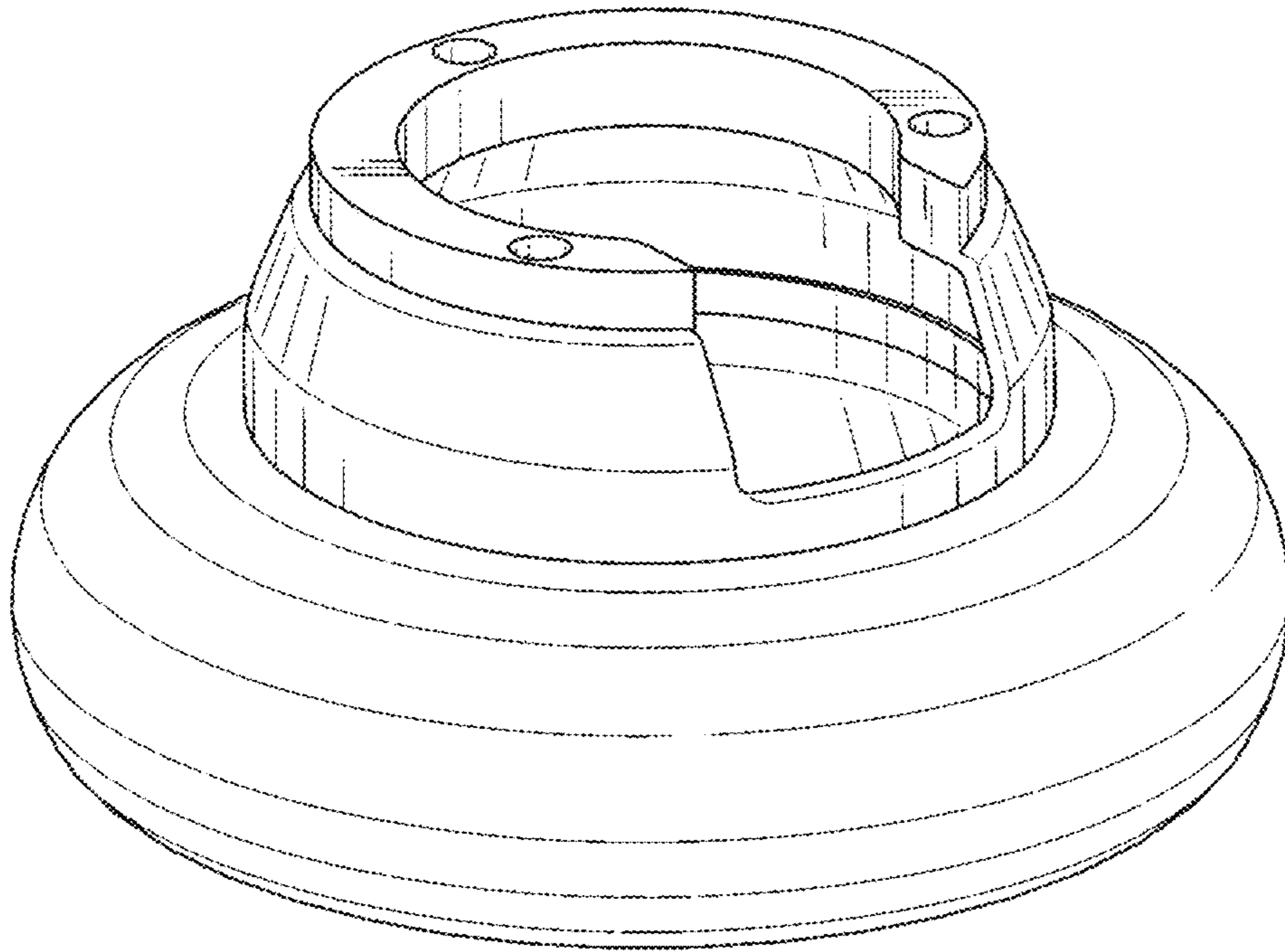


Fig. 2

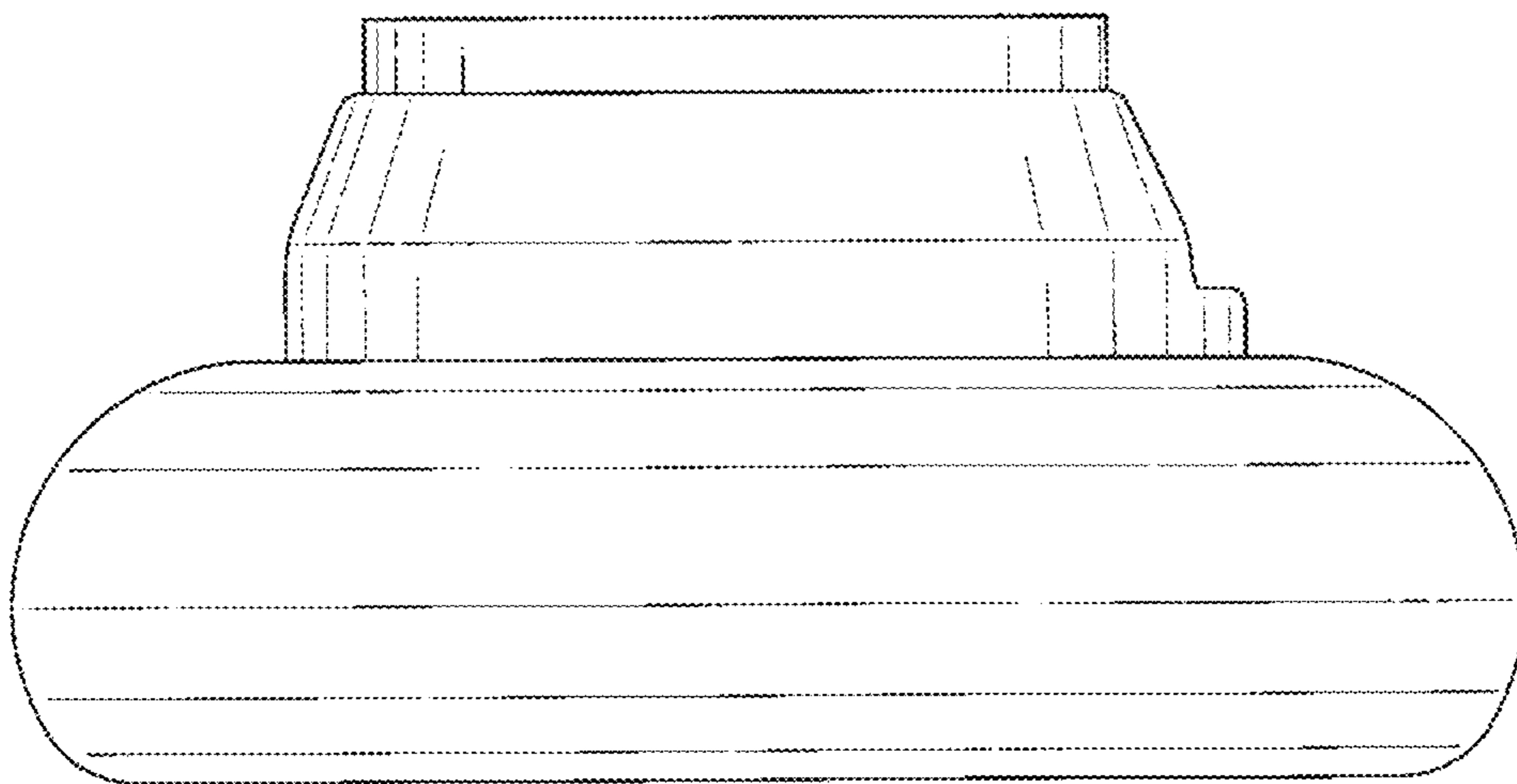


Fig. 3

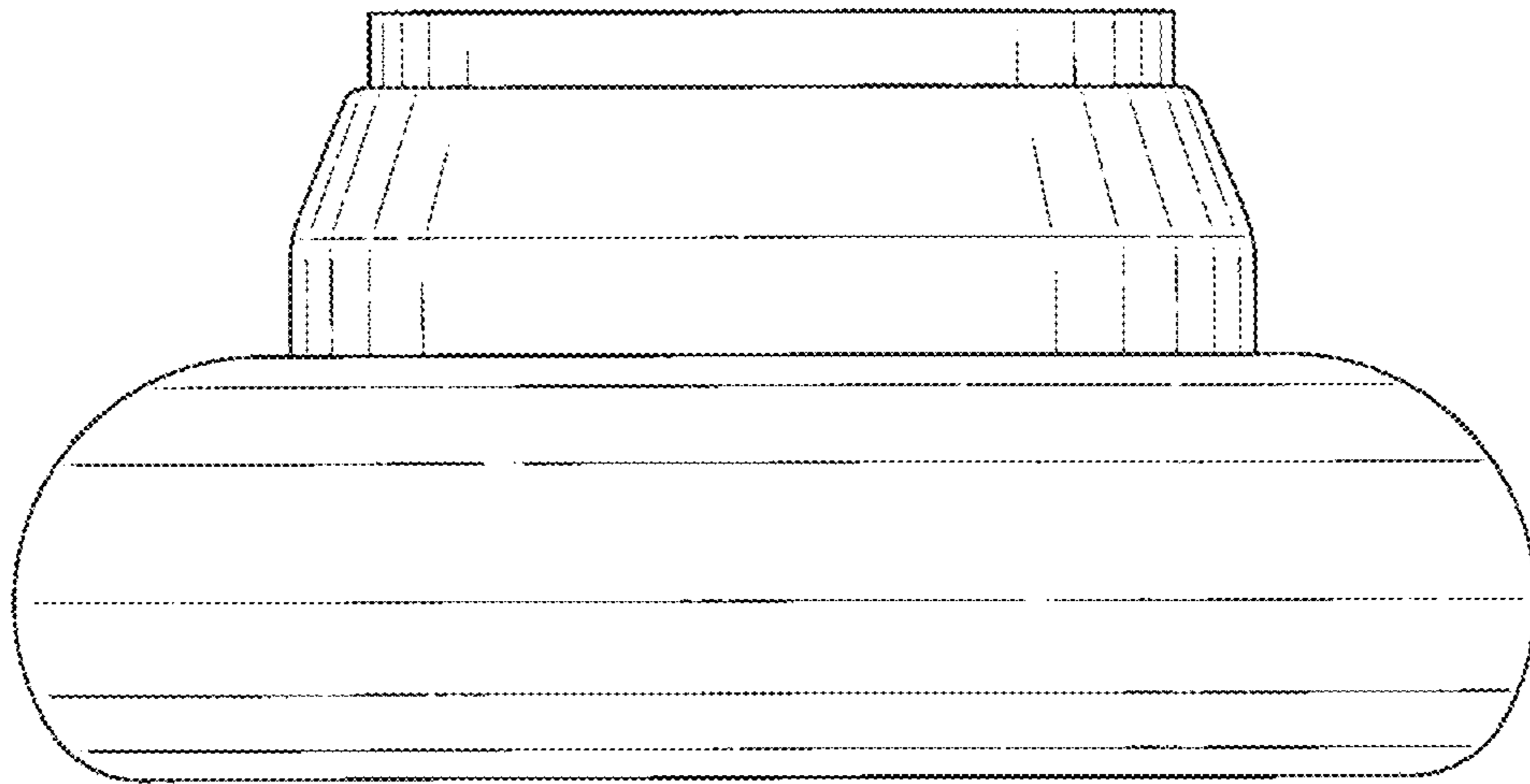


Fig. 4

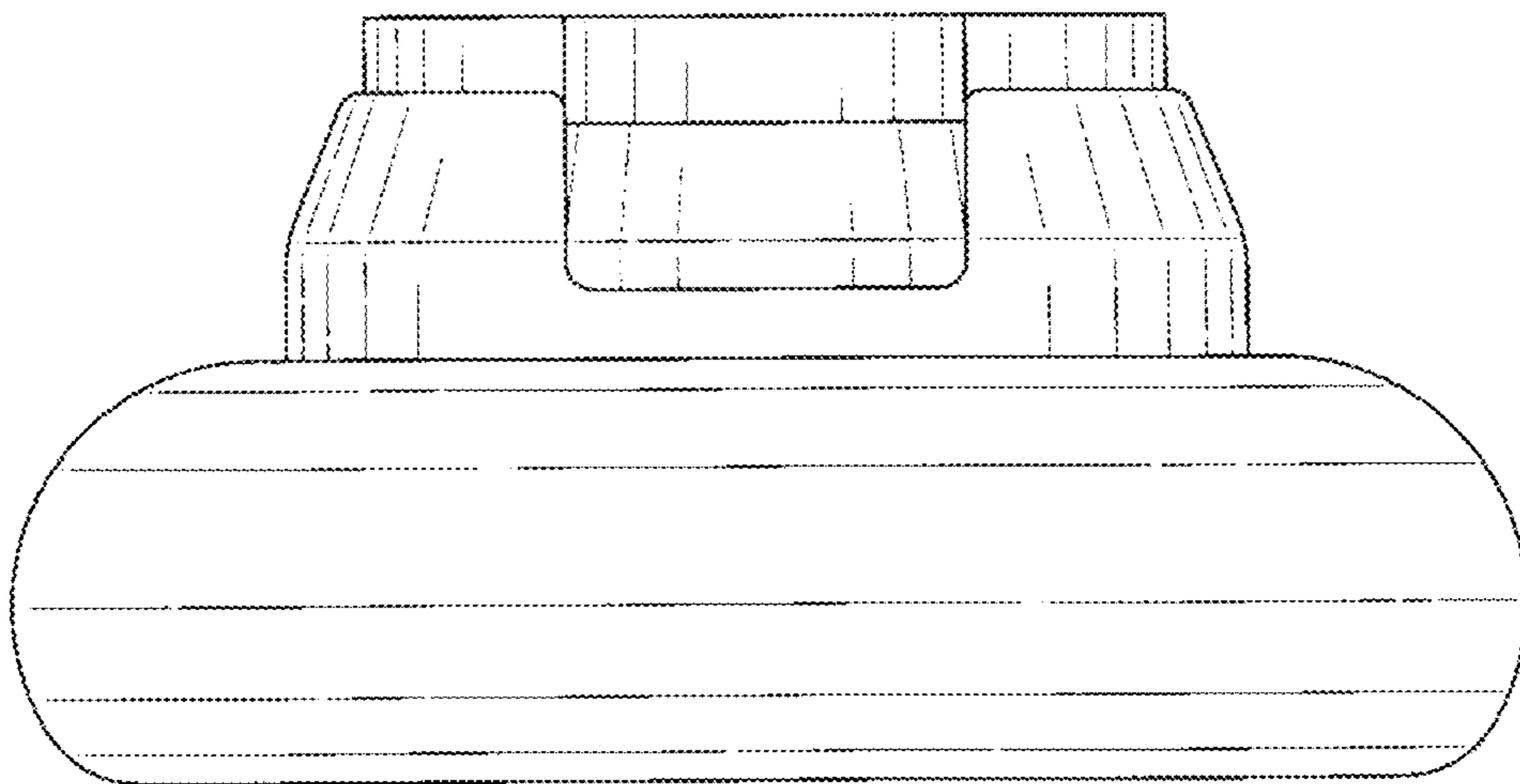


Fig. 5

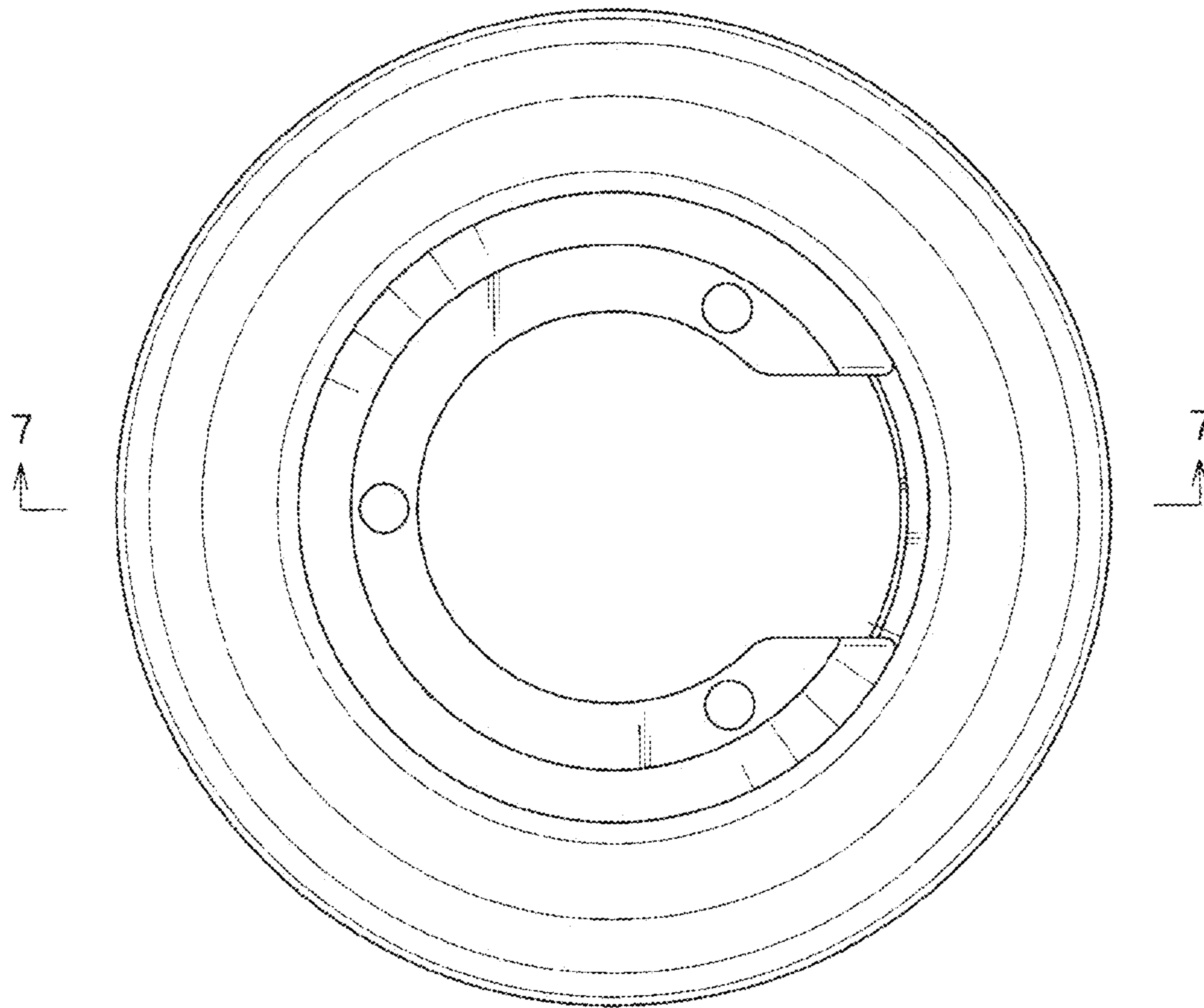


Fig. 6

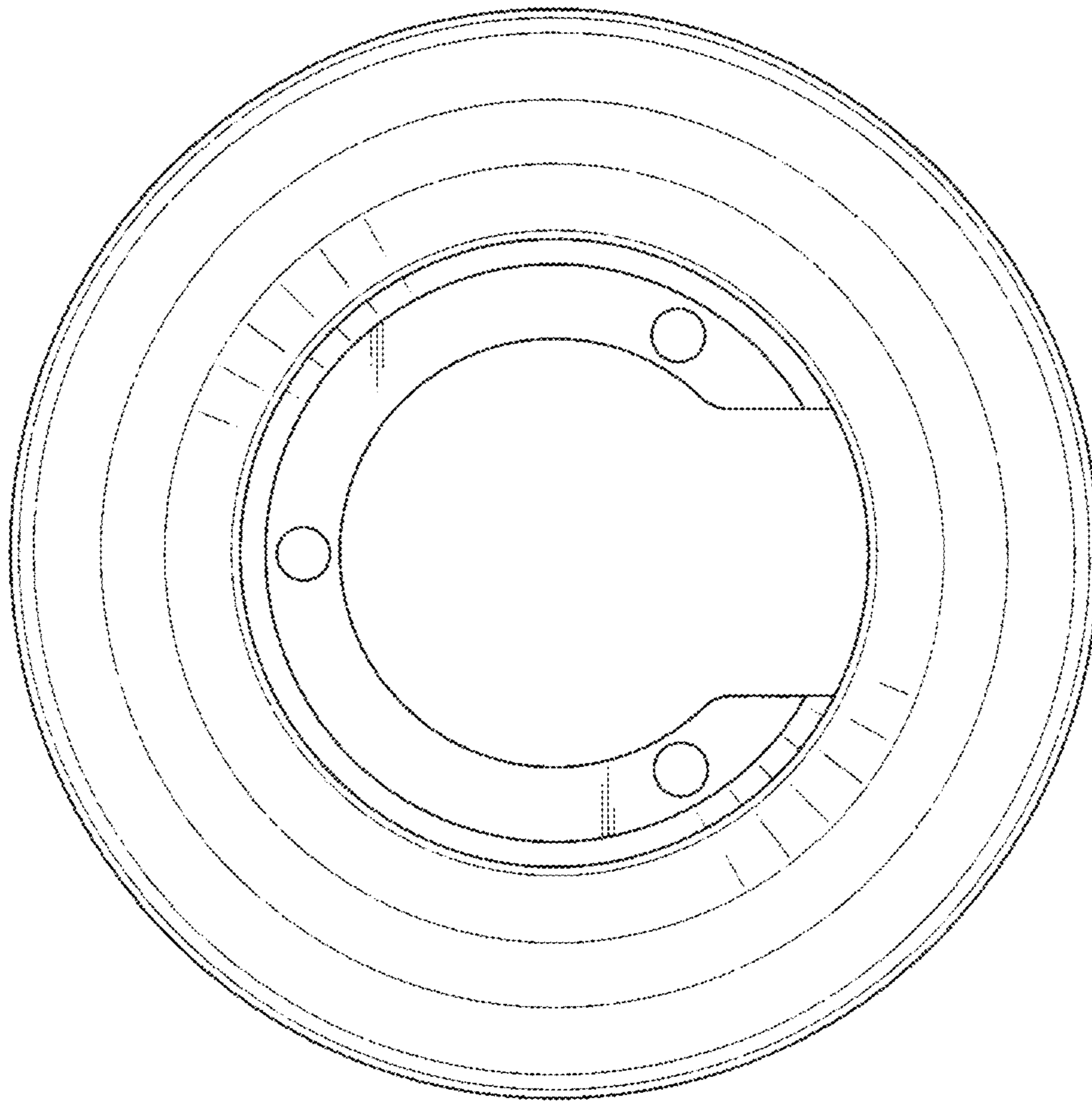


Fig. 7

