



US00D703621S

(12) **United States Design Patent**  
**Azzola et al.**

(10) **Patent No.:** **US D703,621 S**  
(45) **Date of Patent:** **\*\* Apr. 29, 2014**

(54) **CIRCUIT BREAKERS**

(75) Inventors: **Lucio Azzola**, Bergamo (IT); **Giovanni Frassinetti**, Bergamo (IT)

(73) Assignee: **ABB S.p.A.**, Milan (IT)

(\*\*) Term: **14 Years**

(21) Appl. No.: **29/416,701**

(22) Filed: **Mar. 26, 2012**

**Related U.S. Application Data**

(60) Continuation of application No. 29/356,421, filed on Feb. 25, 2010, now Pat. No. Des. 660,805, which is a division of application No. 29/331,873, filed on Feb. 3, 2009, now Pat. No. Des. 611,002, which is a division of application No. 29/241,662, filed on Oct. 31, 2005, now Pat. No. Des. 587,658.

**Foreign Application Priority Data**

(30) May 10, 2005 (EM) ..... 000341169

(51) **LOC (10) Cl.** ..... **13-03**

(52) **U.S. Cl.**  
USPC ..... **D13/160**

(58) **Field of Classification Search**  
USPC ..... D13/160; 200/43.14, 50.01,  
200/50.21-50.23, 51 R, 293, 400; 361/42,  
361/44, 45, 50, 71, 115, 608, 634  
See application file for complete search history.

**References Cited**

**U.S. PATENT DOCUMENTS**

4,728,757 A 3/1988 Buxton et al.  
5,362,933 A 11/1994 Kutsche et al.  
D378,914 S 4/1997 Smith et al.

5,717,178 A 2/1998 Turner et al.  
D402,267 S 12/1998 M'Sadoques  
5,902,973 A 5/1999 Ramey et al.  
6,177,641 B1 1/2001 Morel et al.  
6,388,867 B1 5/2002 Rakus et al.

(Continued)

**FOREIGN PATENT DOCUMENTS**

WO DM/055273 4/2001

**OTHER PUBLICATIONS**

ABB SACE L.V., SACE Emax. A system that's open to any solution, 604060/011 en, Jul. 1999.

(Continued)

*Primary Examiner* — Selina Sikder

(74) *Attorney, Agent, or Firm* — Novak Druce Connolly Bove + Quigg LLP

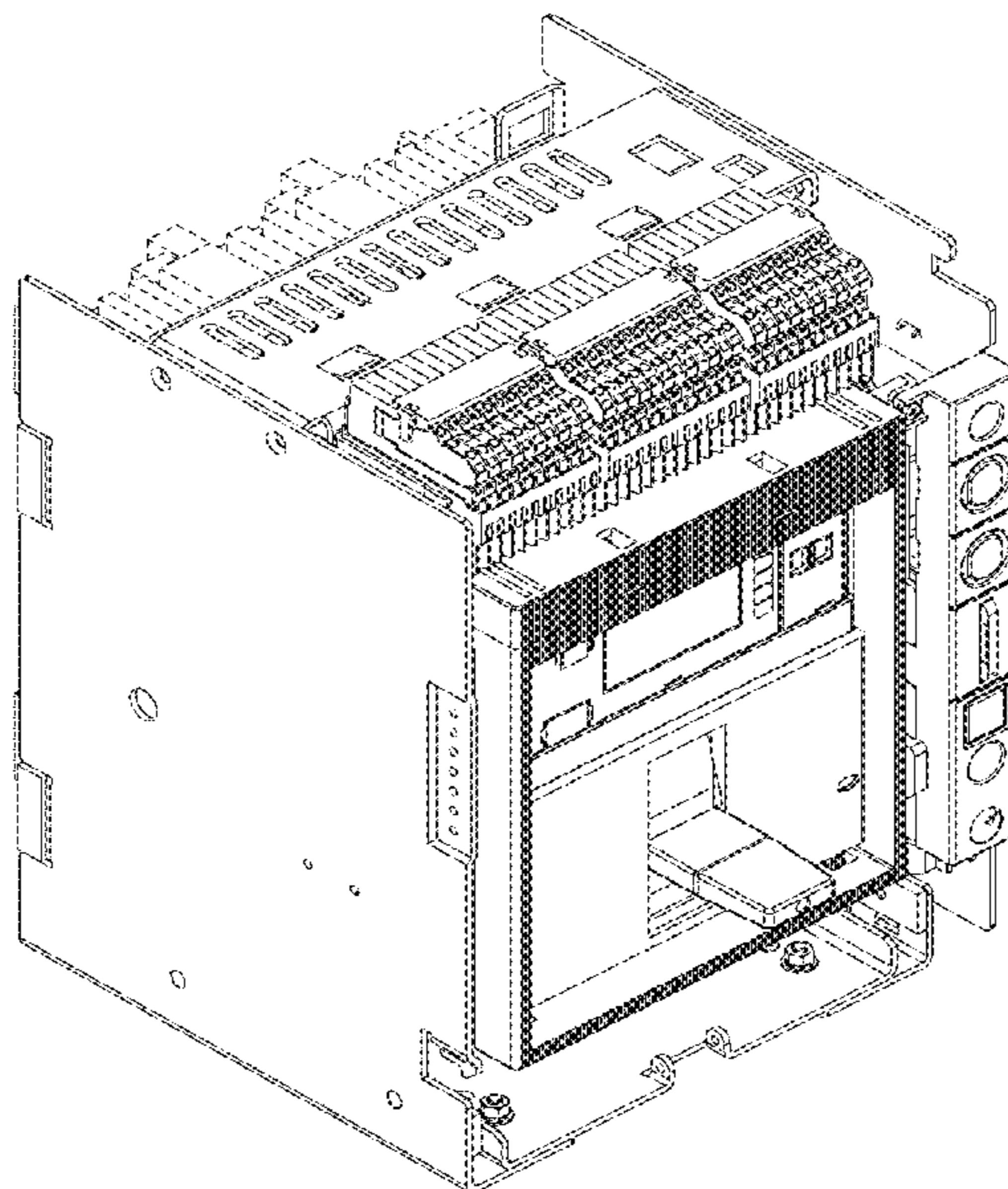
(57) **CLAIM**

The ornamental design for a “circuit breaker,” as shown and described.

**DESCRIPTION**

FIG. 1 is a perspective view of an embodiment of a circuit breaker;  
FIG. 2 is a front view of an embodiment of a circuit breaker;  
FIG. 3 is a right view of an embodiment of a circuit breaker;  
FIG. 4 is a left view of an embodiment of a circuit breaker;  
FIG. 5 is a bottom view of an embodiment of a circuit breaker;  
FIG. 6 is a top view of an embodiment of a circuit breaker;  
and,  
FIG. 7 is a rear view of an embodiment of a circuit breaker.  
The broken lines in FIG. 1-7 form no part of the claimed design.

**1 Claim, 7 Drawing Sheets**



(56)

**References Cited**

U.S. PATENT DOCUMENTS

6,445,559 B1 9/2002 Phillips et al.  
6,489,577 B2 12/2002 Kurata  
7,064,283 B2 6/2006 Deylitz et al.  
D535,626 S 1/2007 Azzola et al.  
D547,729 S 7/2007 Azzola et al.  
D547,730 S 7/2007 Azzola et al.  
D551,629 S 9/2007 Azzola et al.  
D562,777 S 2/2008 Azzola et al.  
D576,111 S 9/2008 Azzola et al.  
D585,839 S 2/2009 Azzola et al.  
D587,658 S 3/2009 Azzola et al.  
D593,506 S 6/2009 Azzola et al.  
D599,301 S 9/2009 Azzola et al.  
D606,026 S 12/2009 Azzola et al.  
D610,552 S 2/2010 Azzola et al.  
D611,002 S 3/2010 Azzola et al.

D633,446 S 3/2011 Besana et al.  
D639,252 S 6/2011 Azzola et al.  
D641,711 S \* 7/2011 Azzola et al. .... D13/160  
D659,105 S \* 5/2012 Azzola et al. .... D13/160  
D660,805 S \* 5/2012 Azzola et al. .... D13/160  
2001/0025773 A1 10/2001 Rane et al.  
2004/0045796 A1 3/2004 Azzola et al.  
2006/0118397 A1 6/2006 Dahl et al.

OTHER PUBLICATIONS

Terasaki Electric, Revolution in circuit breaker technology, 35 pp  
(date unknown).  
Co-pending Design U.S. Appl. No. 29/188,211 by L. Azzola filed  
Aug. 15, 2003.  
Co-pending Design U.S. Appl. No. 29/213,604 by L. Azzola filed  
Sep. 22, 2004.

\* cited by examiner



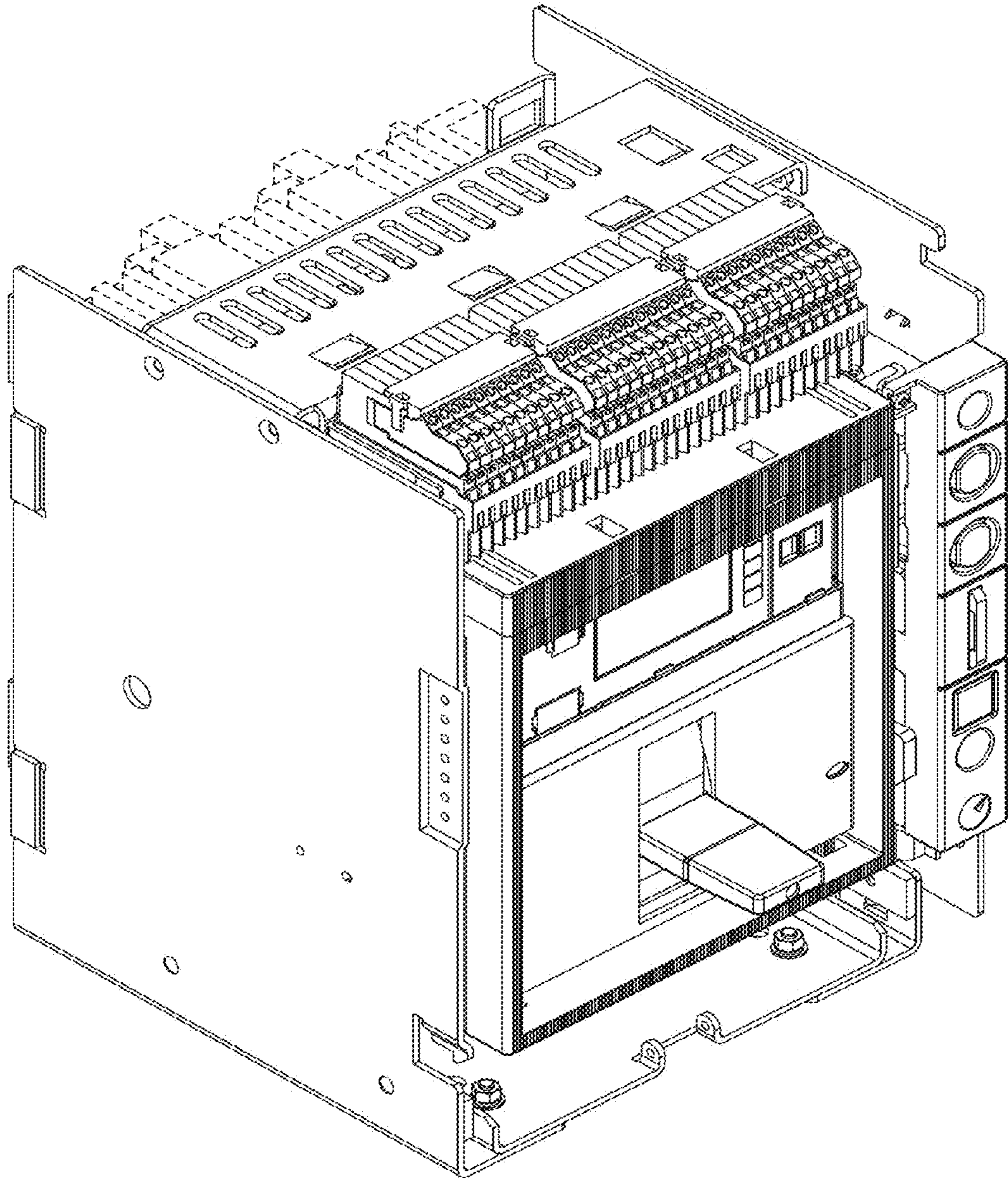


FIG. 1



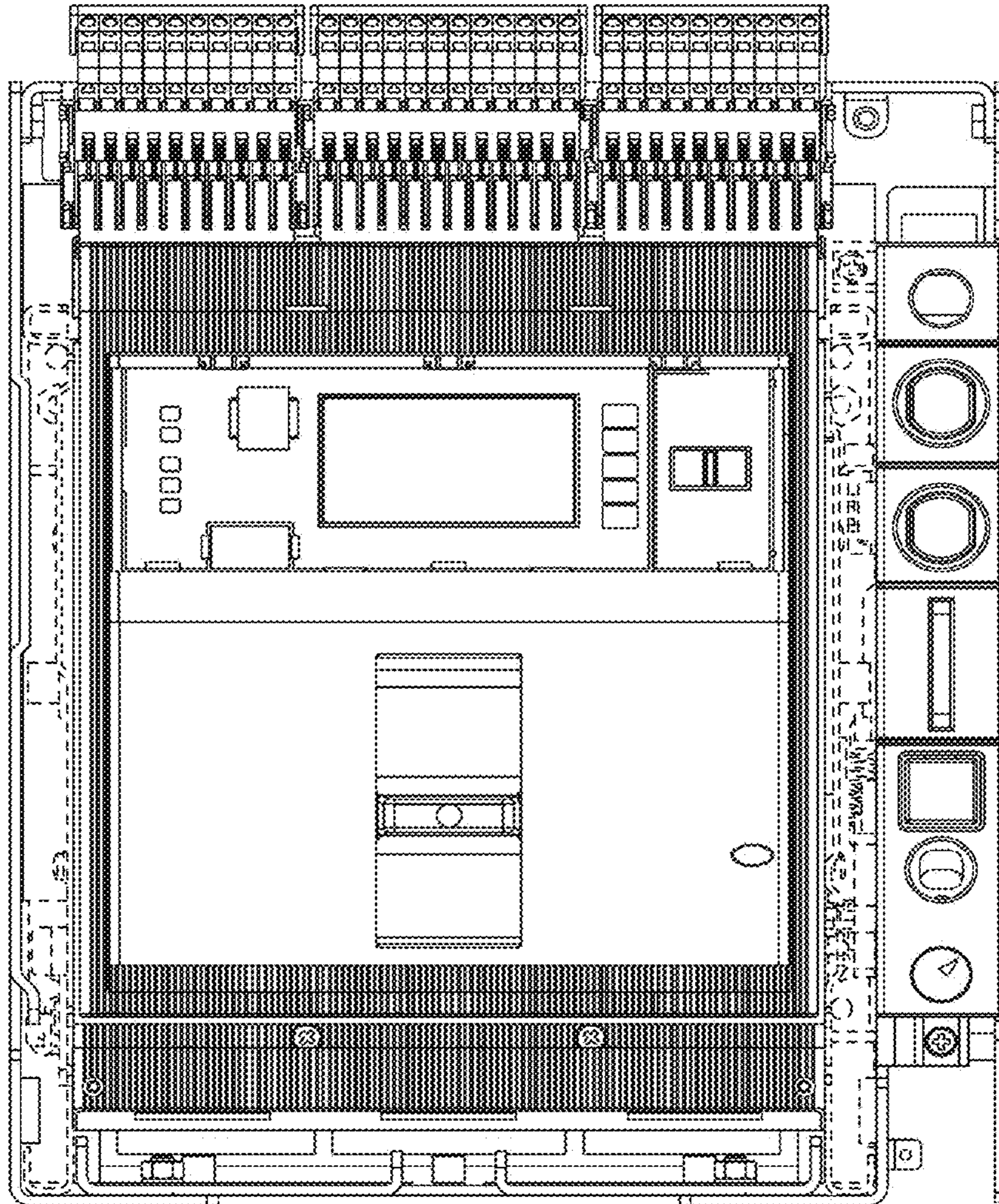


FIG. 2

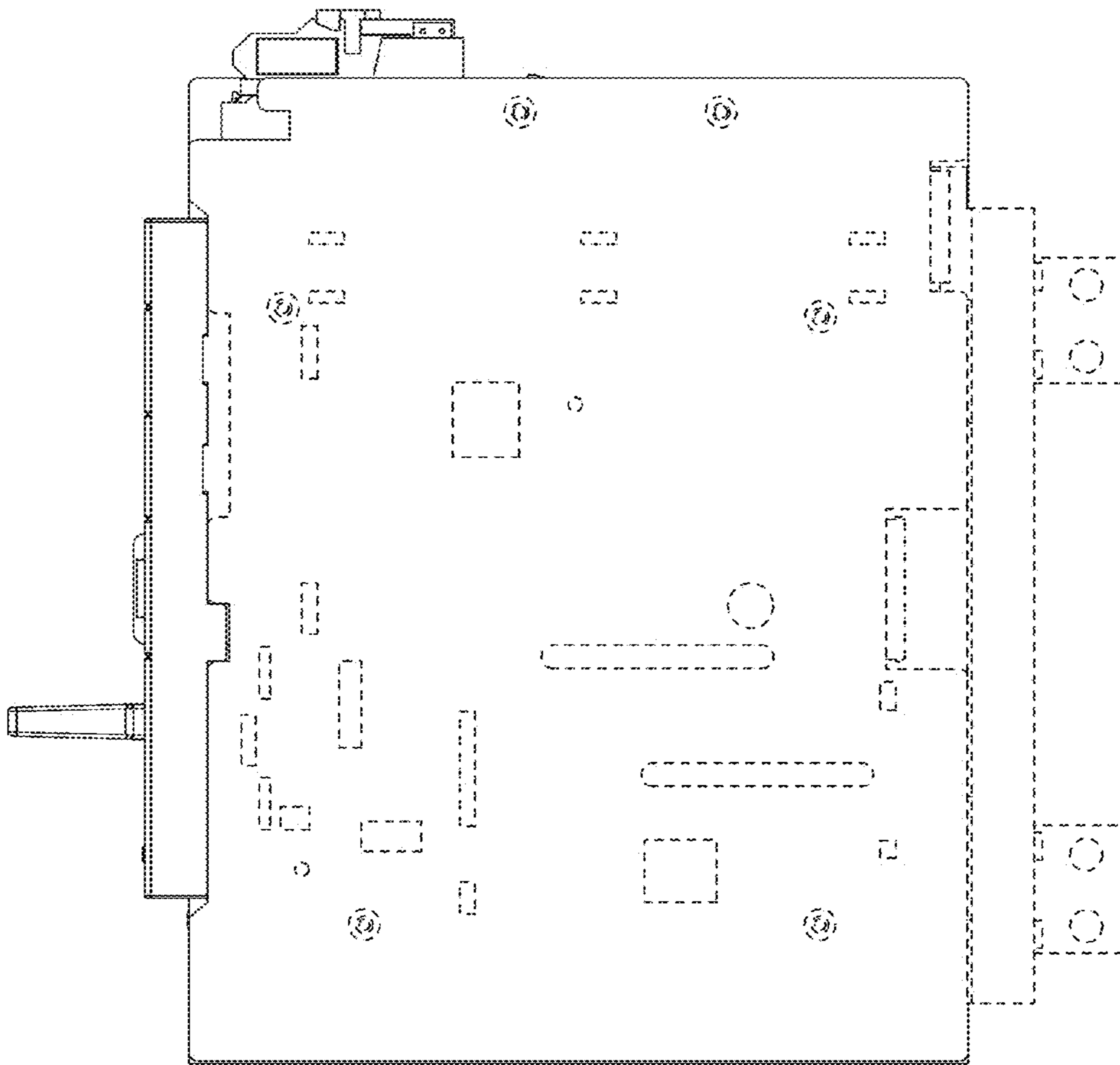


FIG. 3

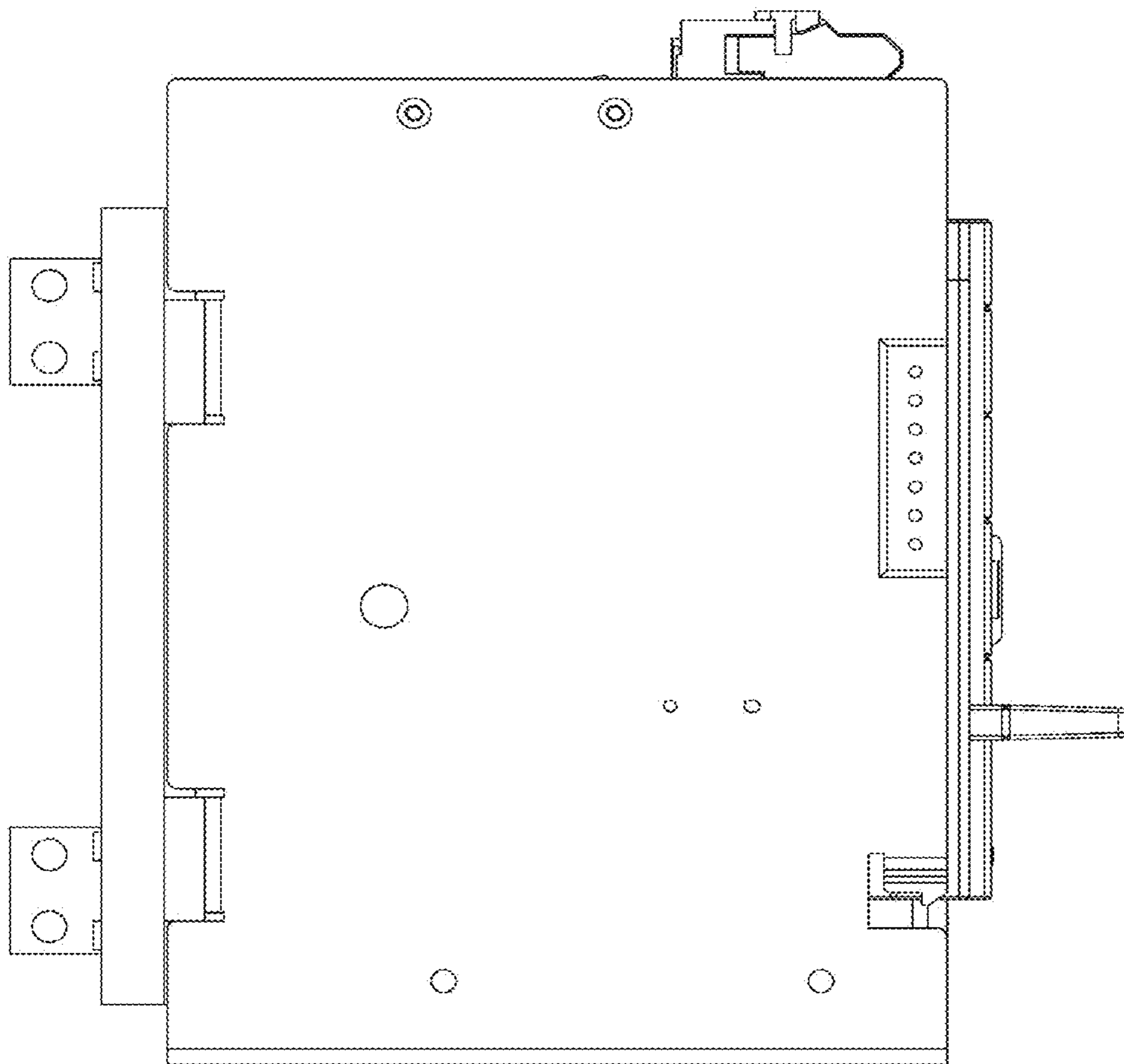


FIG. 4

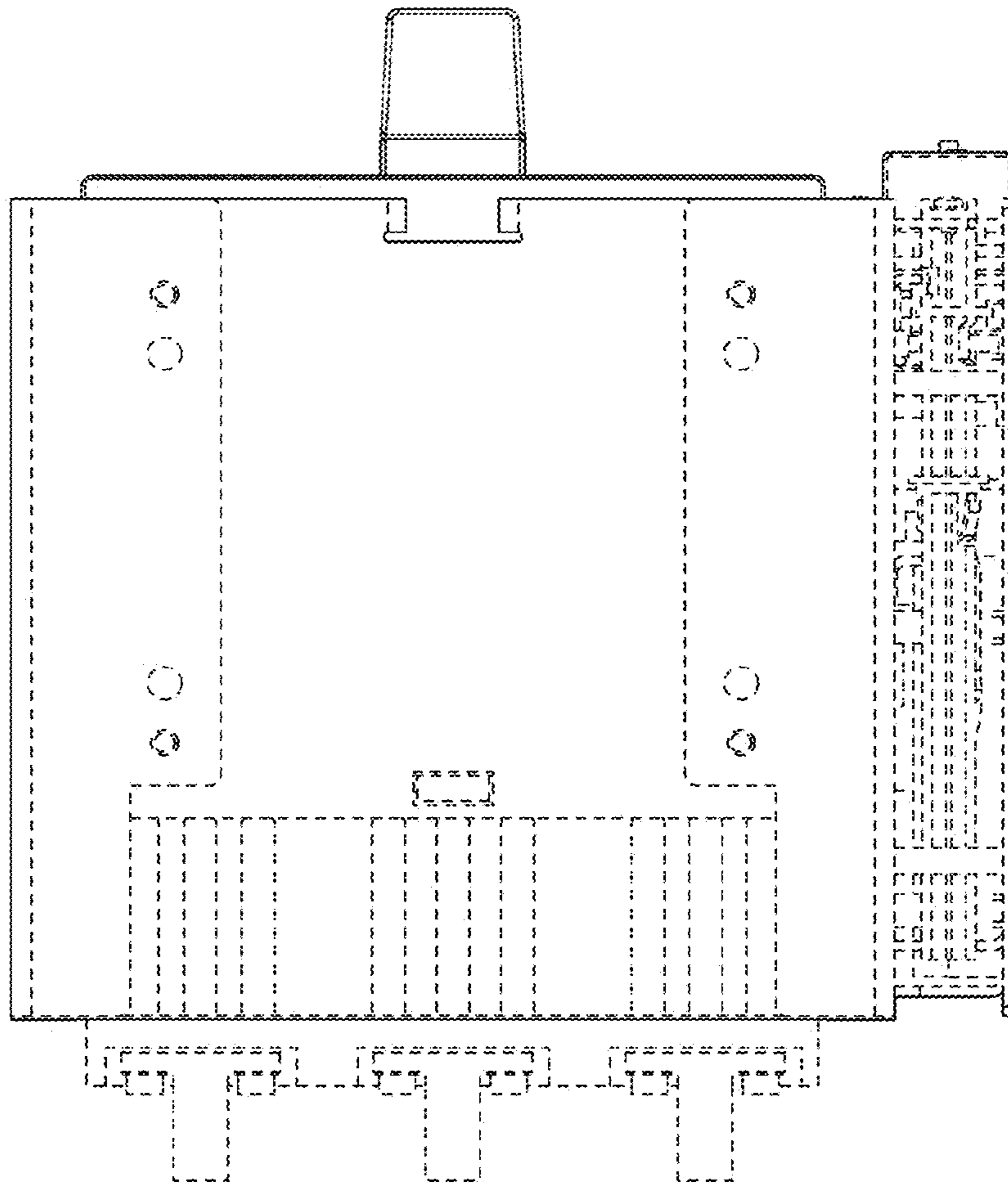


FIG. 5



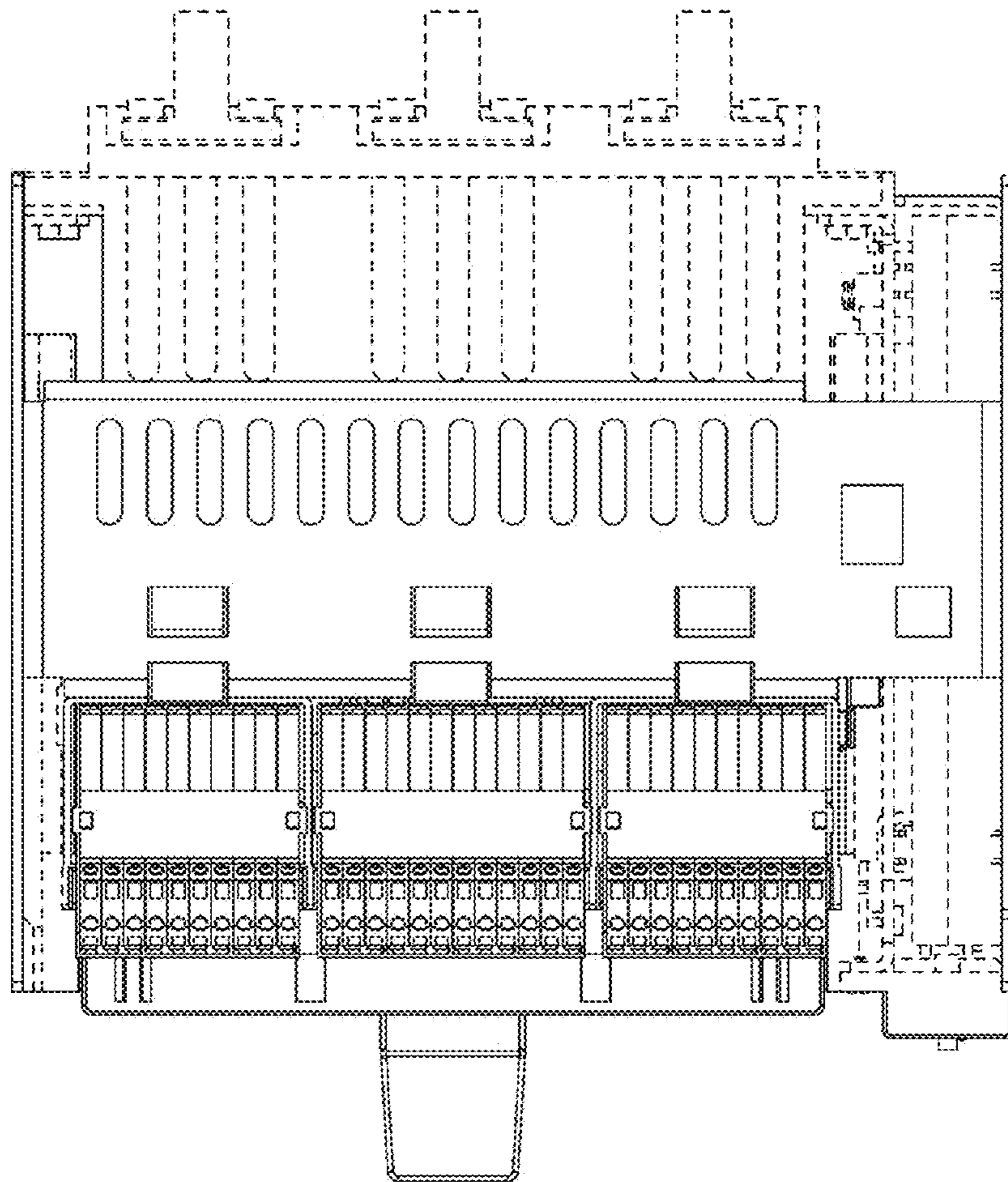


FIG. 6



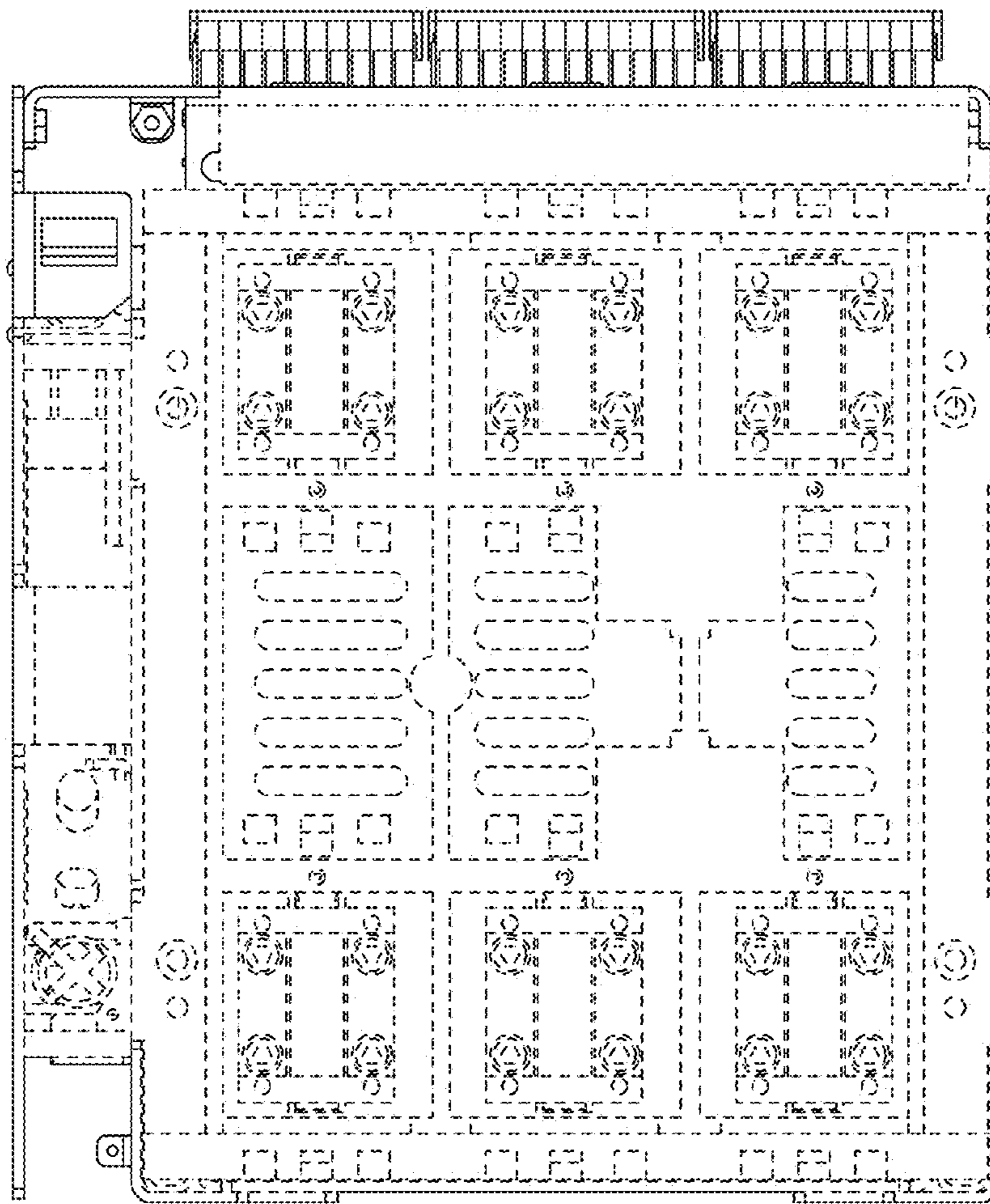


FIG. 7