



US00D703620S

(12) **United States Design Patent**
Takahashi et al.

(10) **Patent No.:** **US D703,620 S**

(45) **Date of Patent:** **** Apr. 29, 2014**

(54) **LIMIT SWITCH**

439/578, 638, 675, 687, 696, 825, 842,
439/844, 620

(71) Applicant: **Omron Corporation**, Kyoto (JP)

See application file for complete search history.

(72) Inventors: **Manabu Takahashi**, Kyoto (JP);
Kazuyuki Tsukimori, Kyoto (JP);
Shigenbu Fukui, Kyoto (JP); **Hiroyuki**
Moriyama, Kyoto (JP); **Shinya**
Katsube, Kyoto (JP)

(56) **References Cited**

U.S. PATENT DOCUMENTS

3,539,738	A	11/1970	Bowen et al.	
4,133,991	A	1/1979	Takase	
D580,879	S	11/2008	Andersson	
D588,551	S	3/2009	Andersson	
D596,138	S	7/2009	Andersson	
D692,394	S *	10/2013	Takahashi et al.	D13/158
D692,395	S *	10/2013	Takahashi et al.	D13/158
2012/0235025	A1	9/2012	Tobita et al.	

(73) Assignee: **Omron Corporation**, Kyoto (JP)

OTHER PUBLICATIONS

(**) Term: **14 Years**

Omron Catalog of limit switches (Oct. 2011).
Azibil Catalog of limit switches (published at least as early as Dec. 8, 2011).
Moujen product information of limit switches (published at least as early as Dec. 8, 2011) <http://www.moujenswitch.com/products.php?cPath=596>.

(21) Appl. No.: **29/467,109**

(22) Filed: **Sep. 16, 2013**

Related U.S. Application Data

(62) Division of application No. 29/408,203, filed on Dec. 8, 2011, now Pat. No. Des. 692,394.

* cited by examiner

(30) **Foreign Application Priority Data**

Jun. 10, 2011	(JP)	2011-13163
Jun. 10, 2011	(JP)	2011-13164
Jun. 10, 2011	(JP)	2011-13165
Jun. 10, 2011	(JP)	2011-13166
Jun. 10, 2011	(JP)	2011-13167
Jun. 10, 2011	(JP)	2011-13168
Jun. 10, 2011	(JP)	2011-13173
Jun. 10, 2011	(JP)	2011-13174
Jun. 10, 2011	(JP)	2011-13175

Primary Examiner — Thomas Johannes

(74) *Attorney, Agent, or Firm* — Harness, Dickey & Pierce, P.L.C.

(51) **LOC (10) Cl.** **09-03**

(52) **U.S. Cl.**
USPC **D13/158**

(58) **Field of Classification Search**
USPC D13/110, 133, 160, 158; 174/50, 66,
174/65 R, 67, 70 R, 77 R, 77 S, 92; 200/5 R,
200/43.11, 43.14, 50.01, 50.15, 293, 293.1,
200/303, 401; 335/68, 132, 202; 361/42,
361/44, 45, 50, 71, 115, 118, 119, 679;

(57) **CLAIM**

The ornamental design for a limit switch, as shown and described.

DESCRIPTION

FIG. 1 is a top, front and right side perspective view of a limit switch showing a first embodiment of our new design; FIG. 2 is a bottom, rear and left side perspective view thereof; FIG. 3 is a front elevational view thereof; FIG. 4 is a rear elevational view thereof; FIG. 5 is a left side view thereof; FIG. 6 is a right side view thereof; FIG. 7 is a top plan view thereof; FIG. 8 is a bottom plan view thereof;

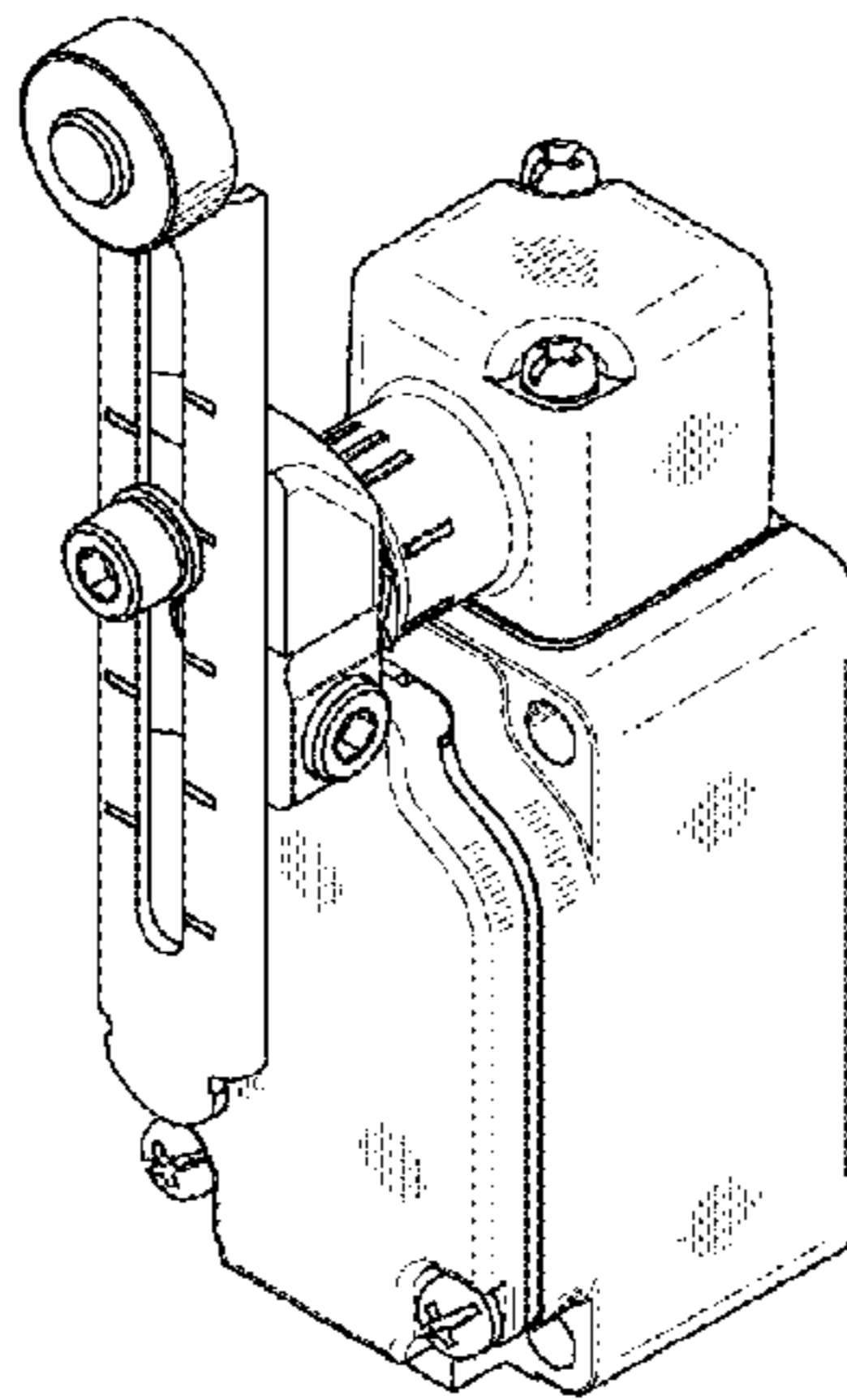
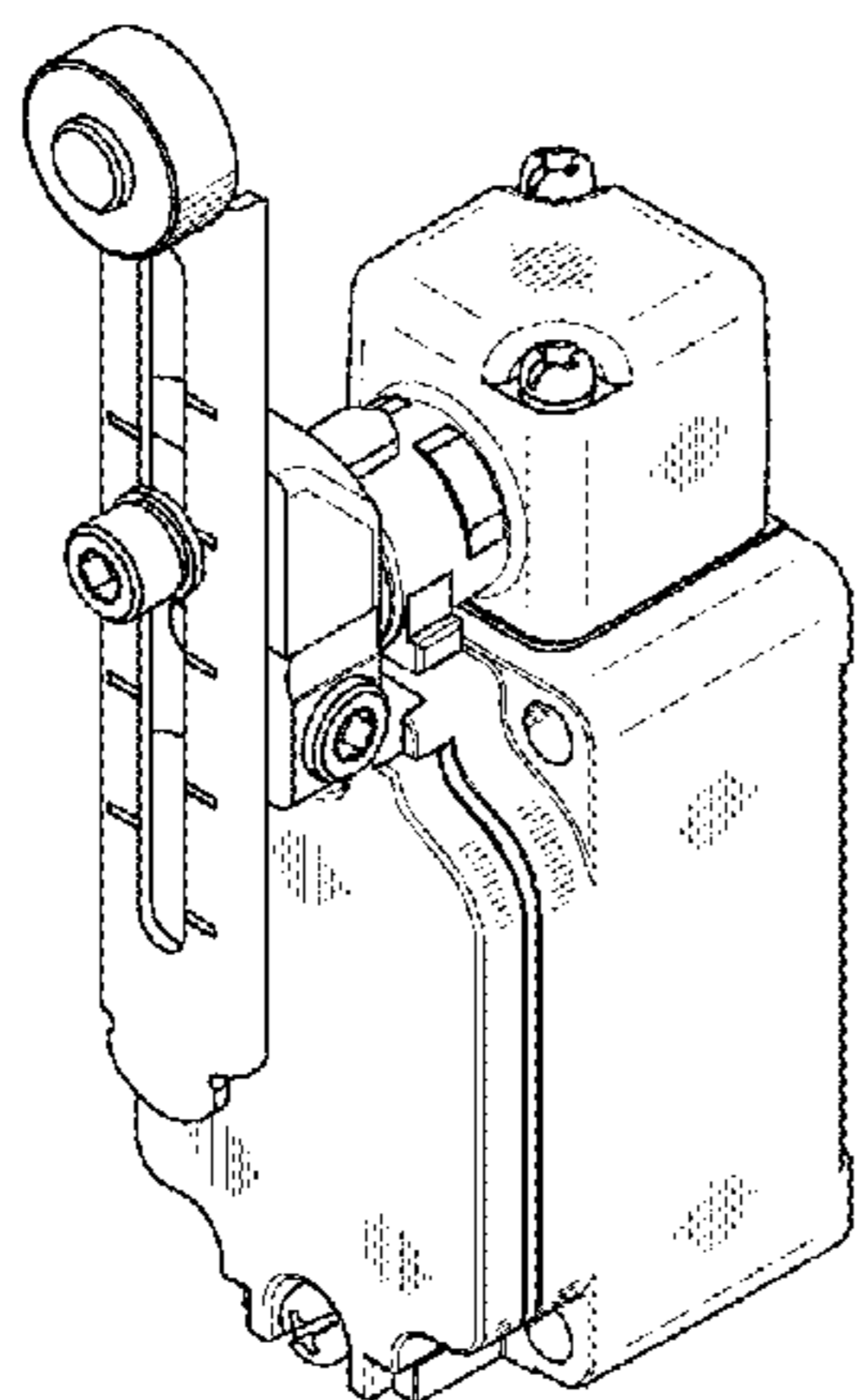


FIG. **9** is a left side view thereof, shown in an alternate position of use;

FIG. **10** is a top, front and right side perspective view of a limit switch showing a second embodiment of our new design;

FIG. **11** is a bottom, rear and left side perspective view thereof;

FIG. **12** is a front elevational view thereof;

FIG. **13** is a rear elevational view thereof;

FIG. **14** is a left side view thereof;

FIG. **15** is a right side view thereof;

FIG. **16** is a top plan view thereof;

FIG. **17** is a bottom plan view thereof; and,

FIG. **18** is a left side view thereof, shown in an alternate position of use.

The broken lines depict environmental subject matter only and form no part of the claimed design.

1 Claim, 10 Drawing Sheets

Fig. 1

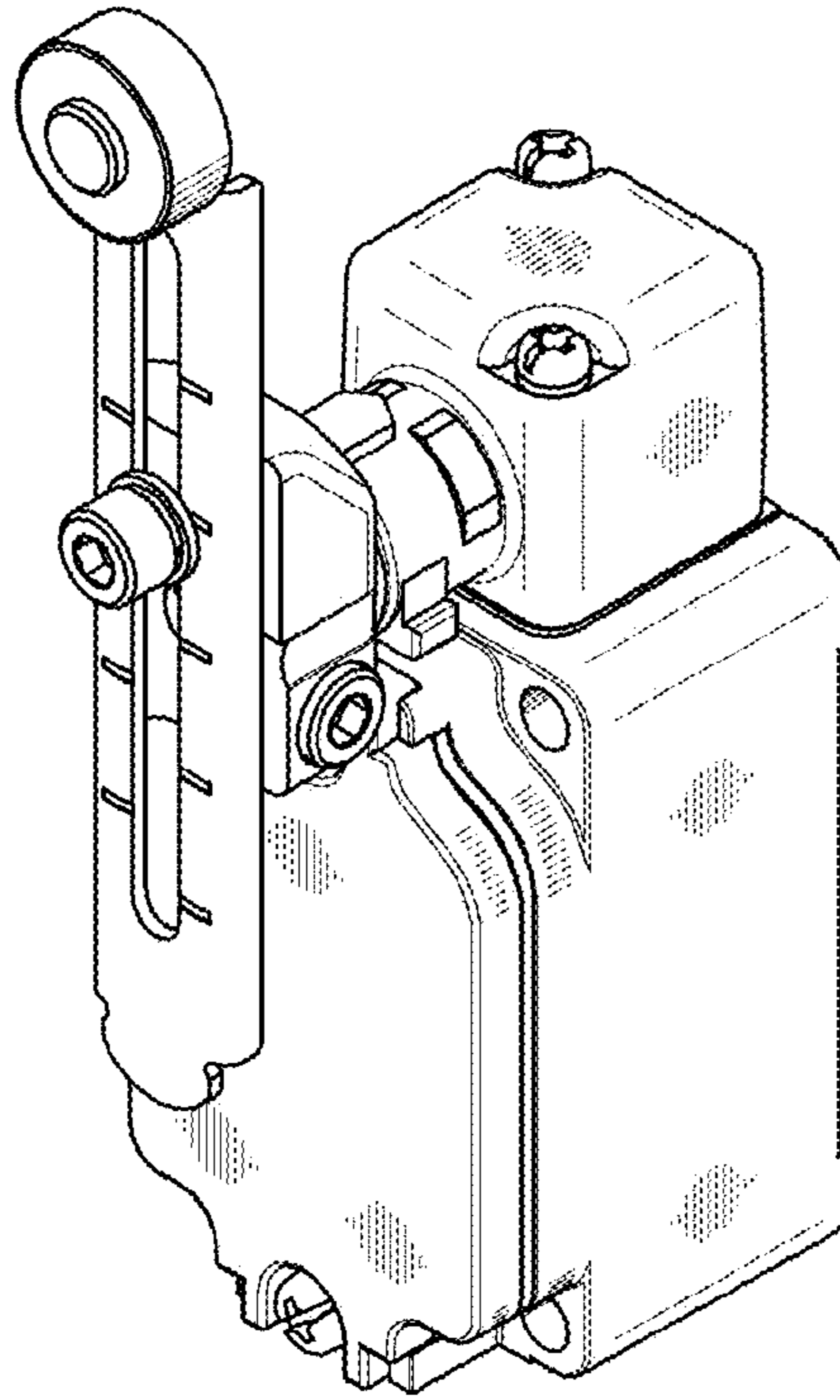


Fig. 2

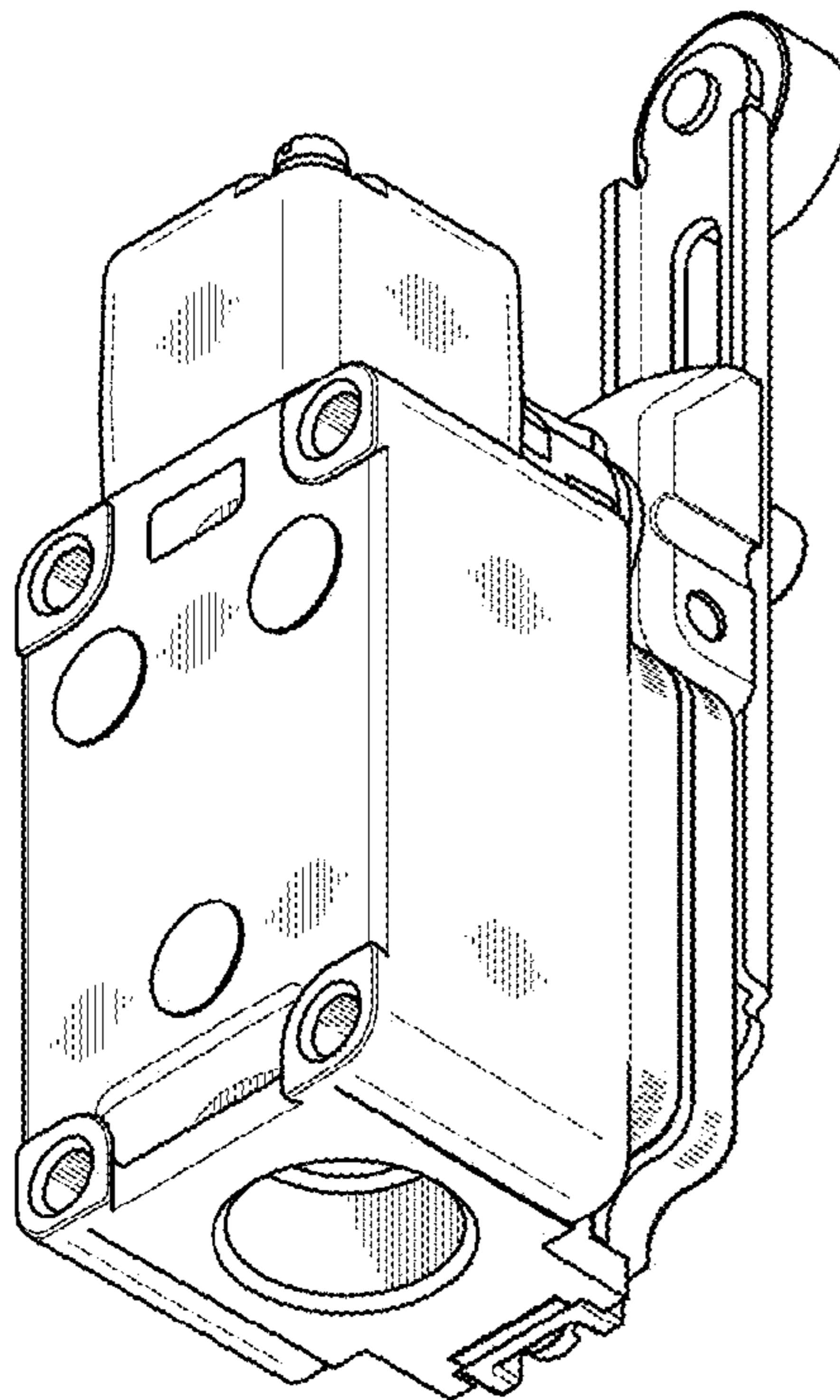


Fig. 3

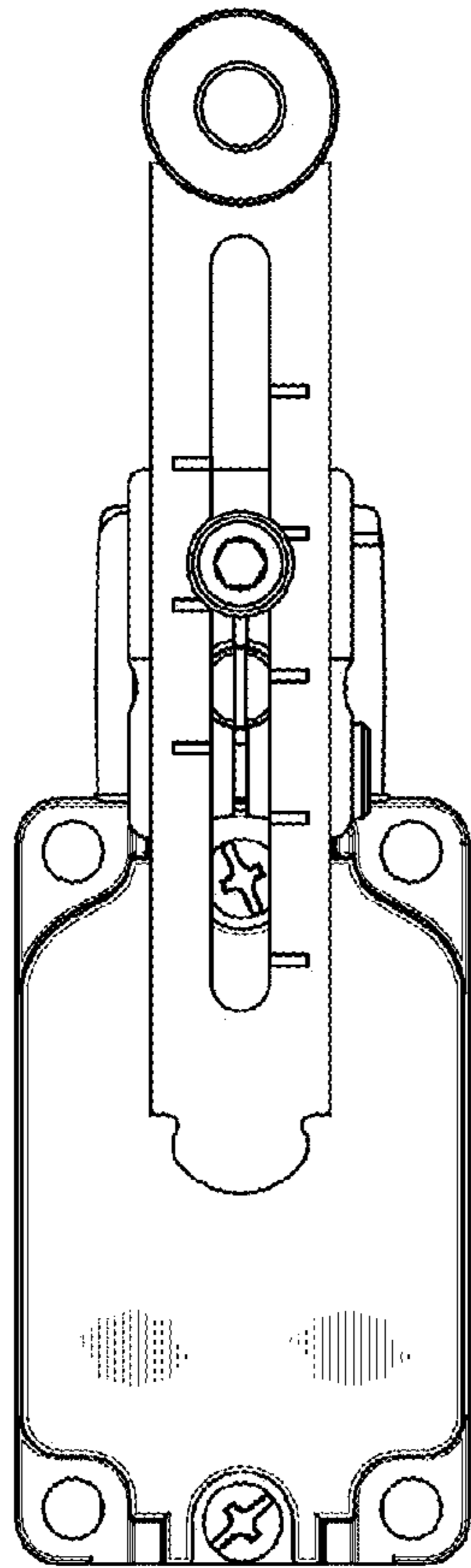


Fig. 4

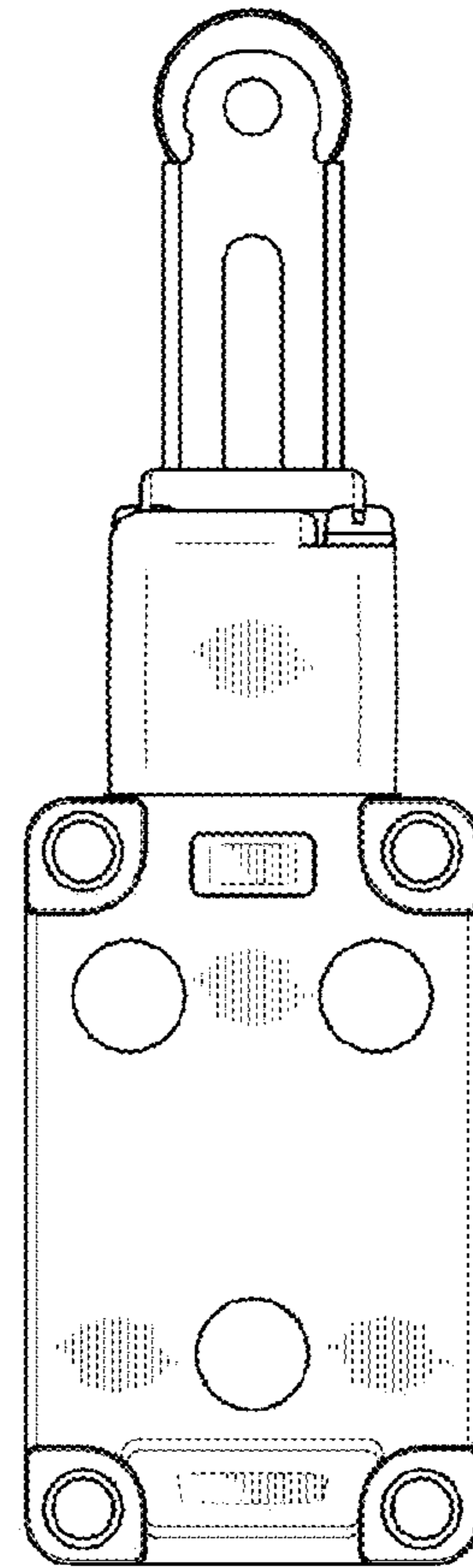


Fig. 5

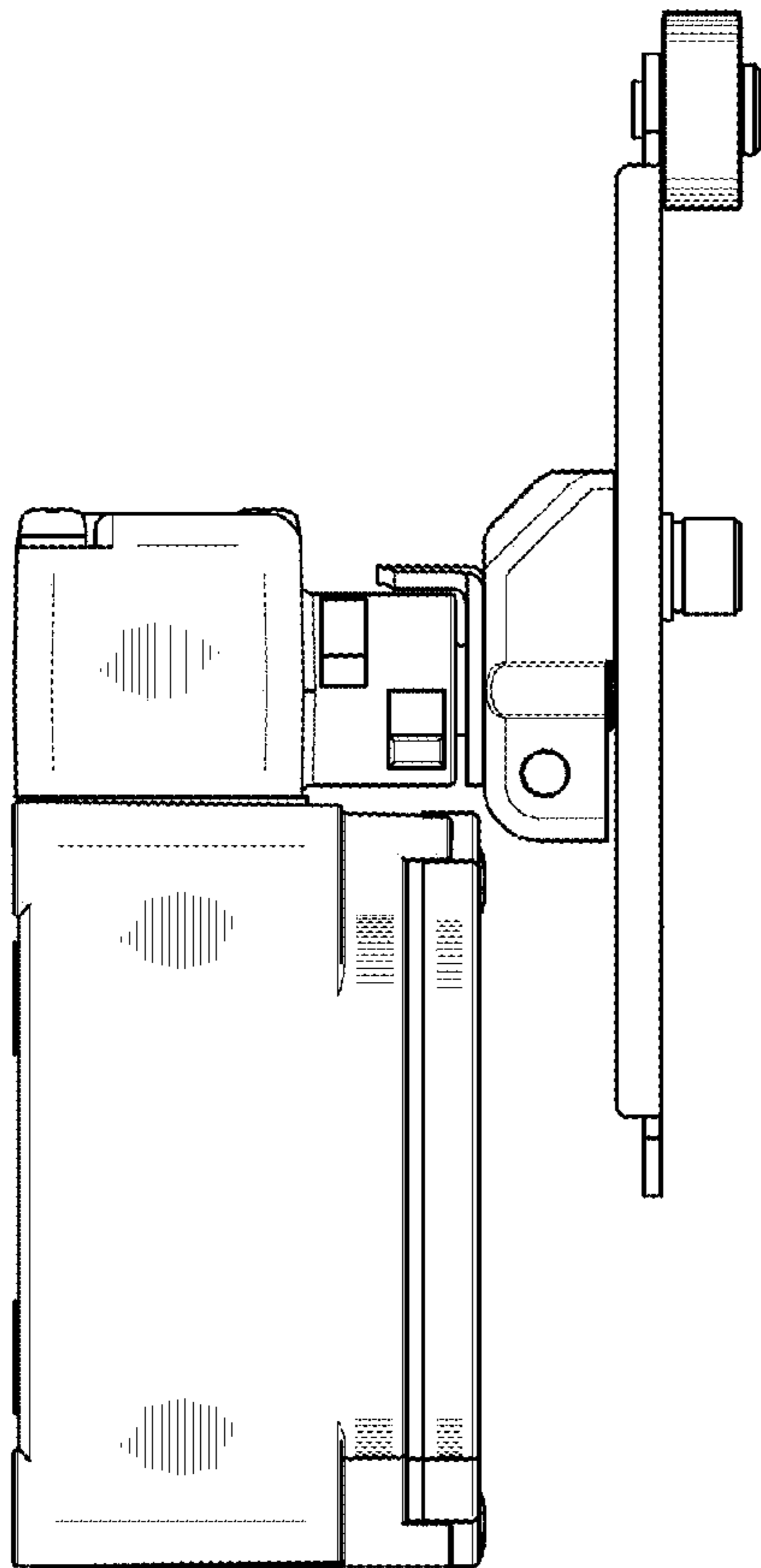


Fig. 6

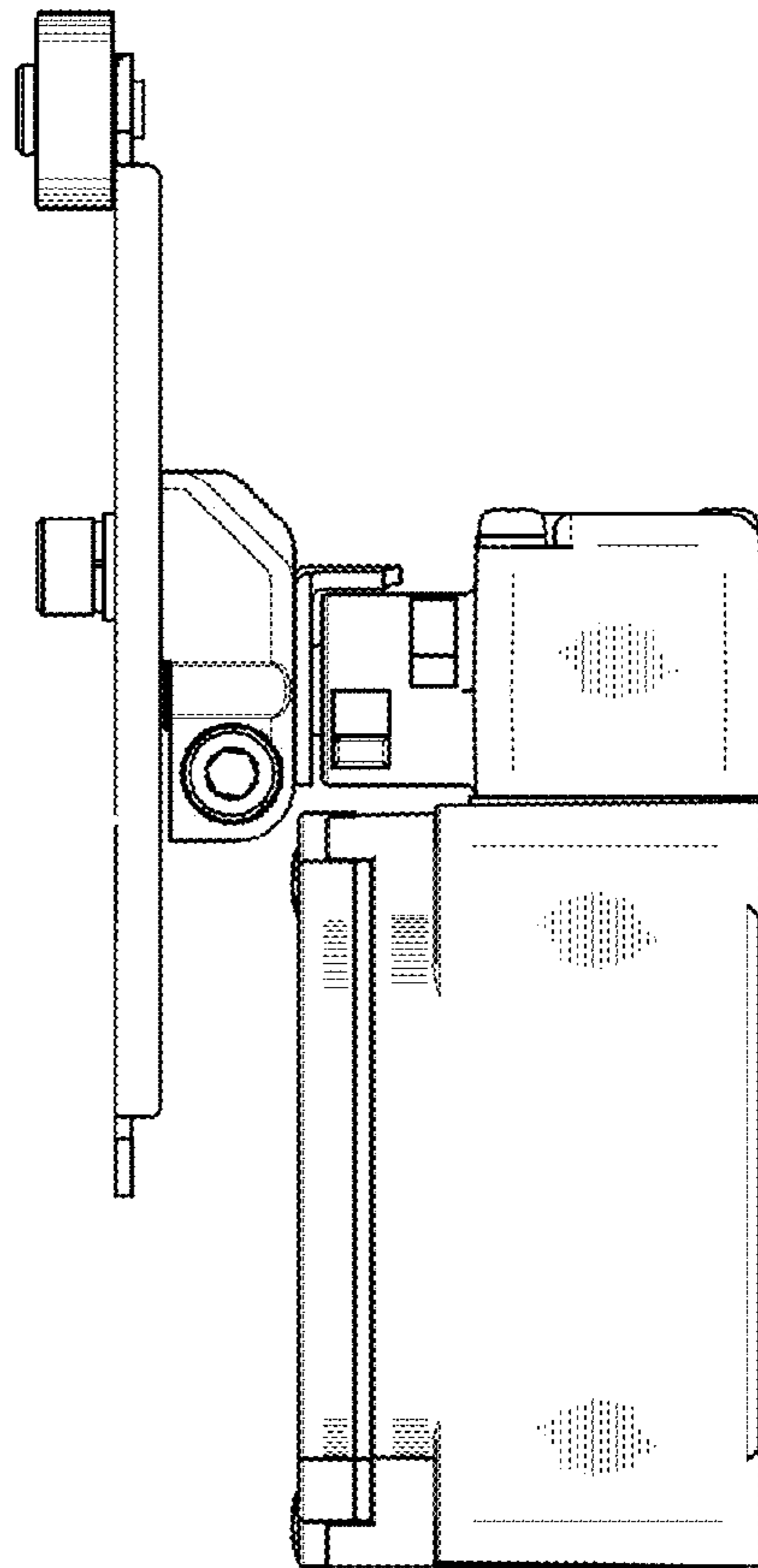


Fig. 7

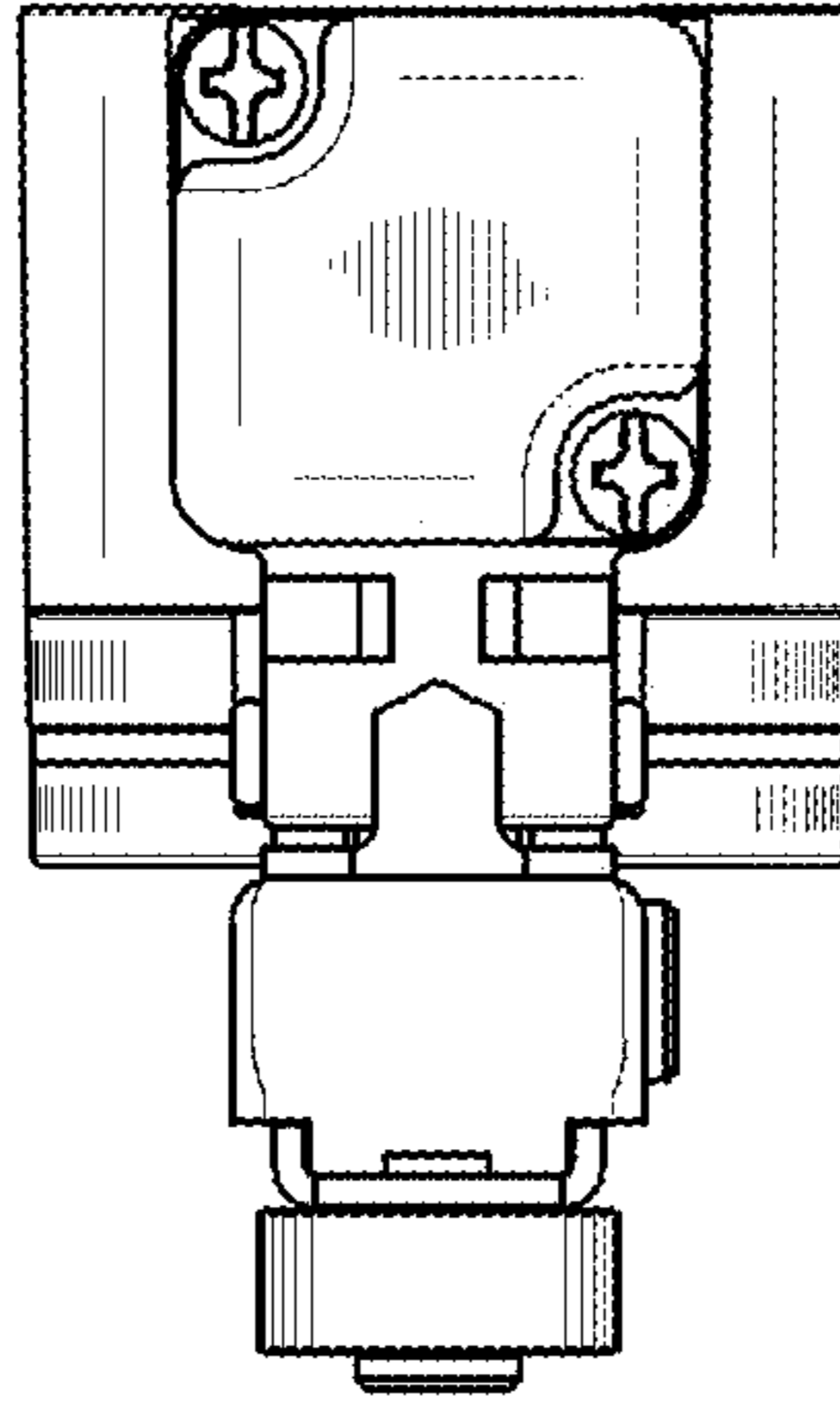


Fig. 8

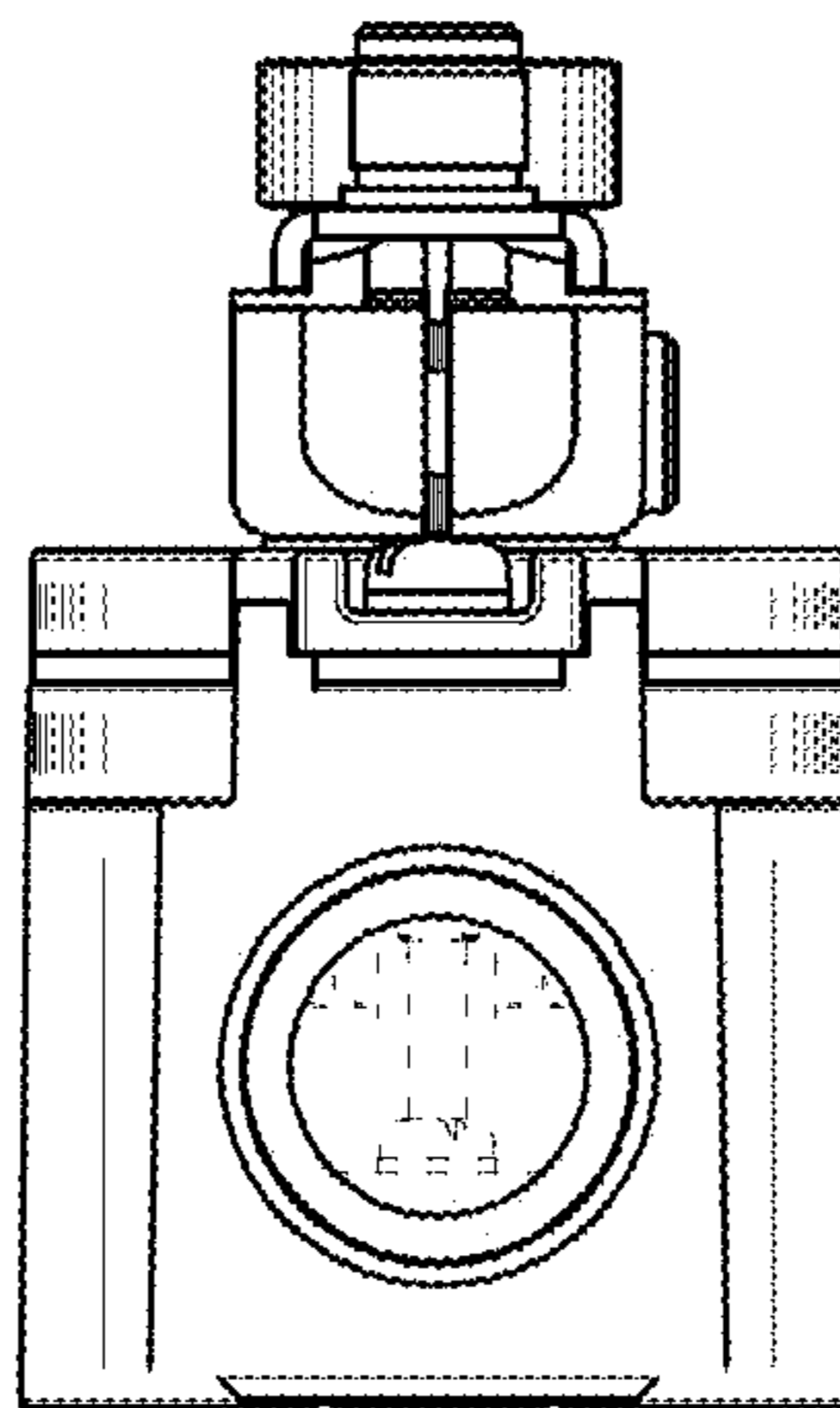


Fig. 9

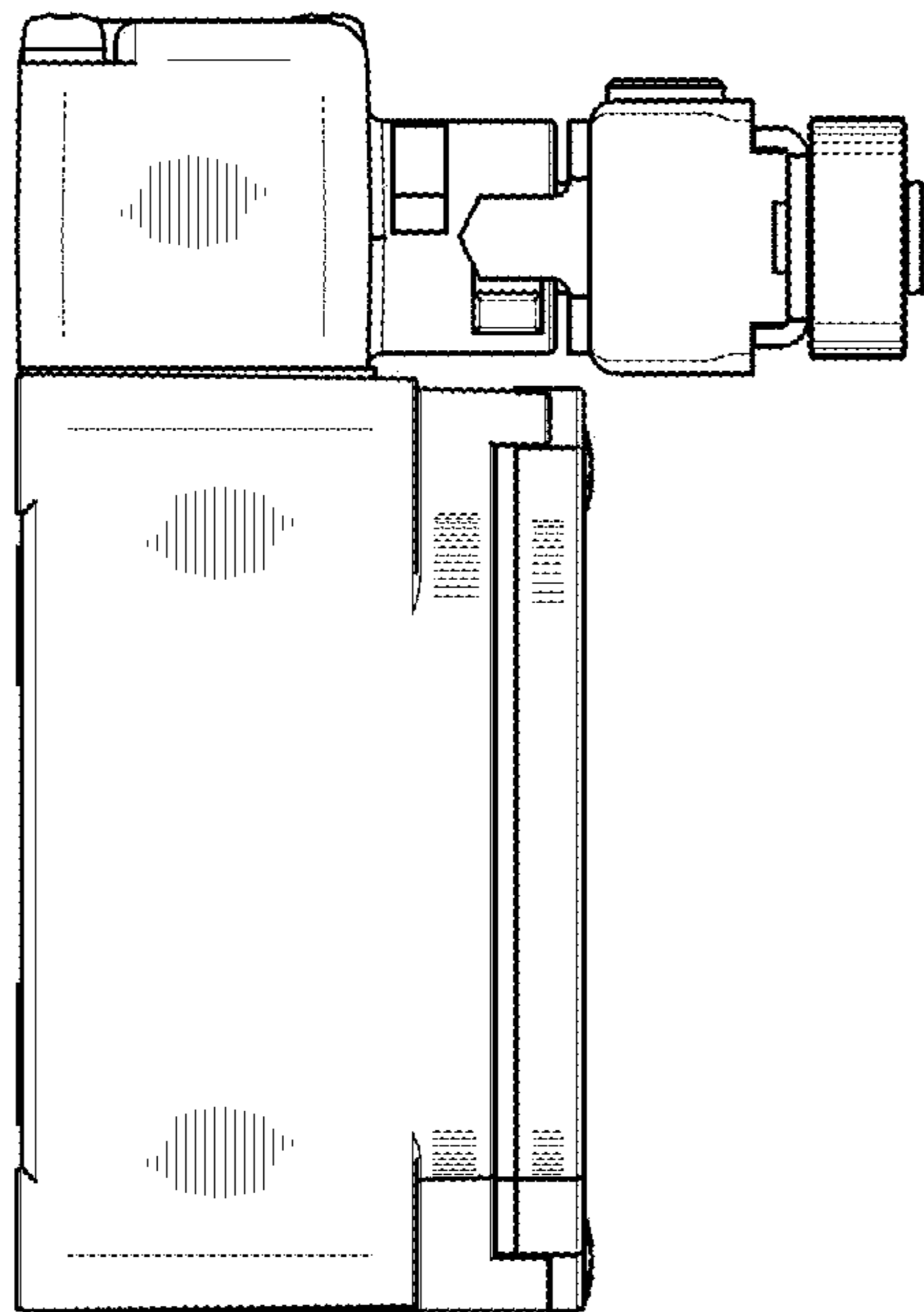


Fig. 10

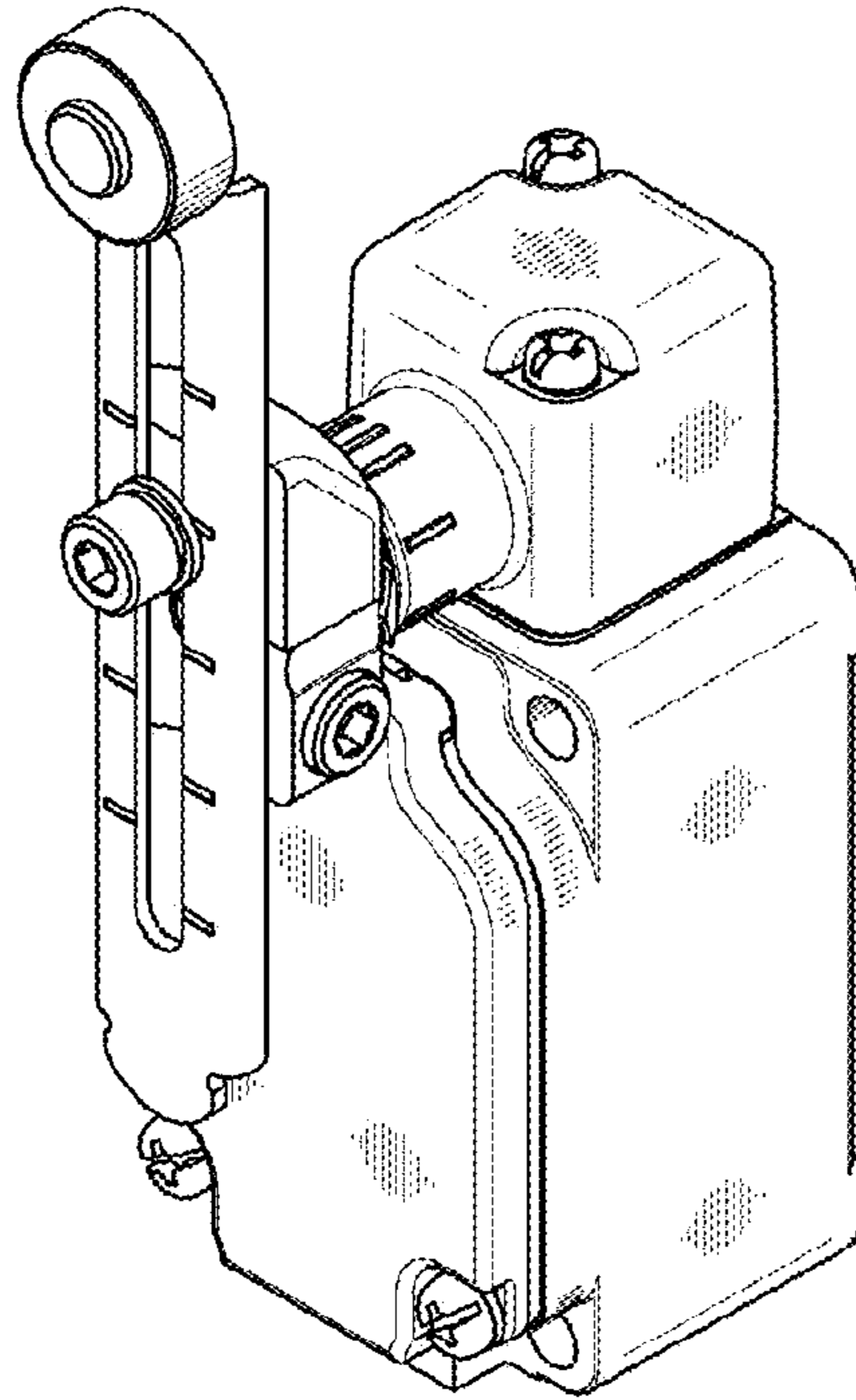


Fig. 11

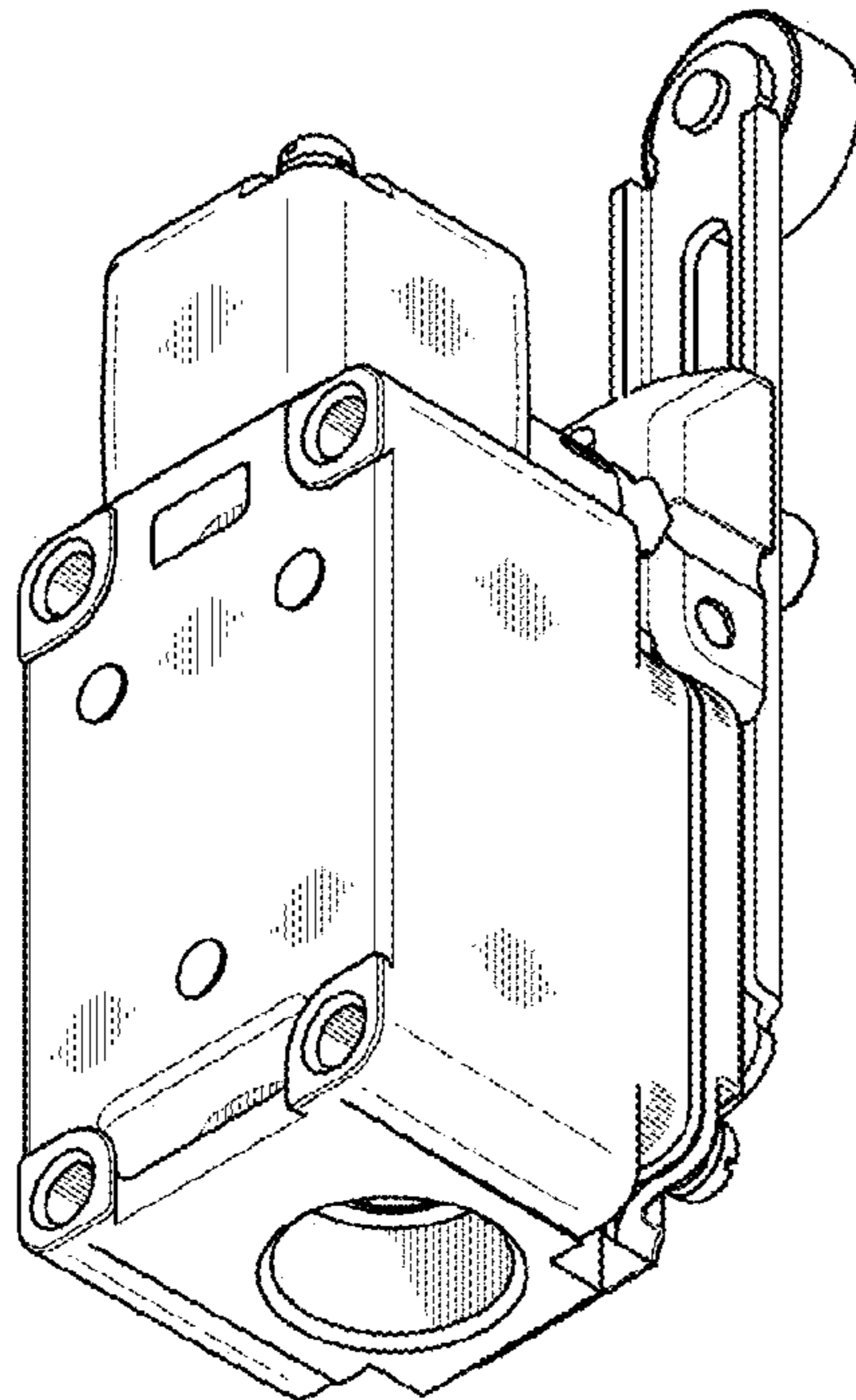


Fig. 12

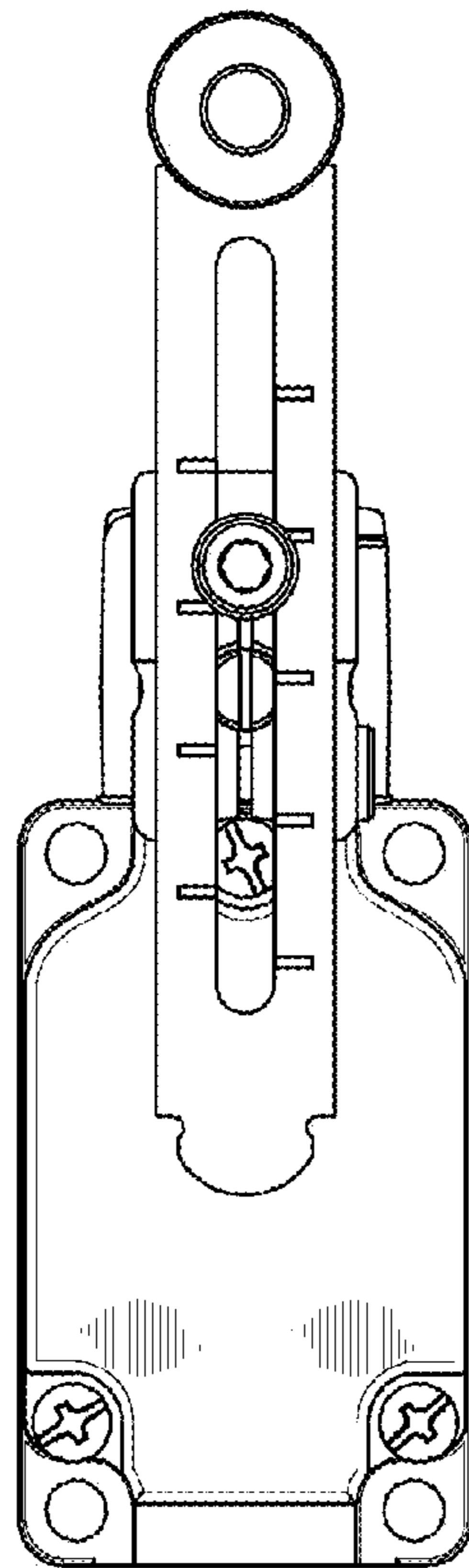


Fig. 13

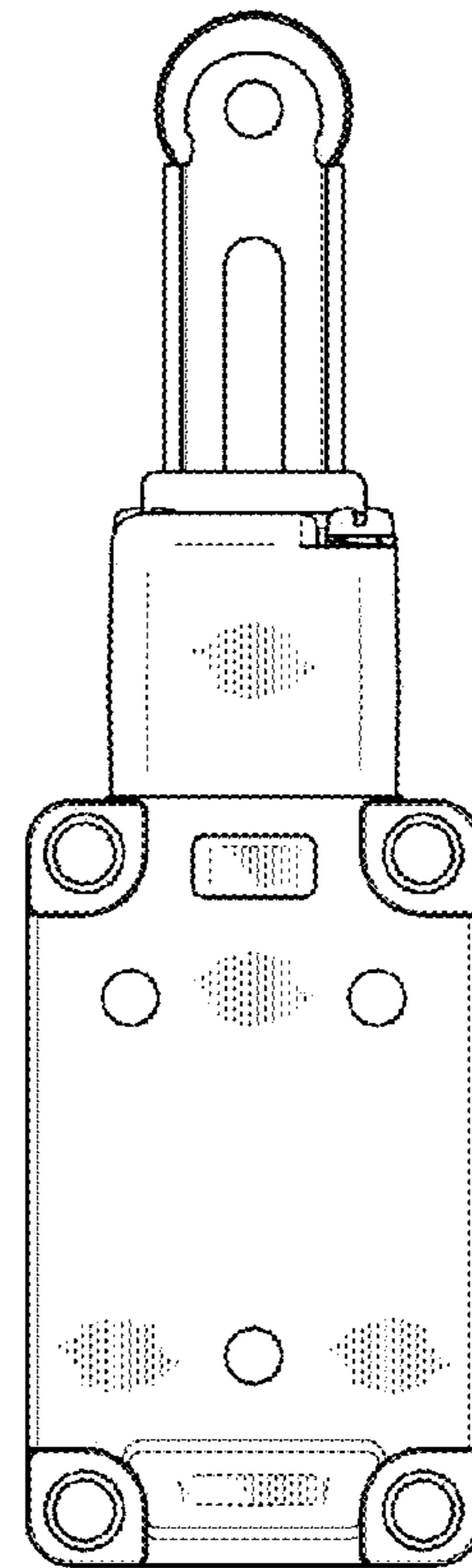


Fig. 14

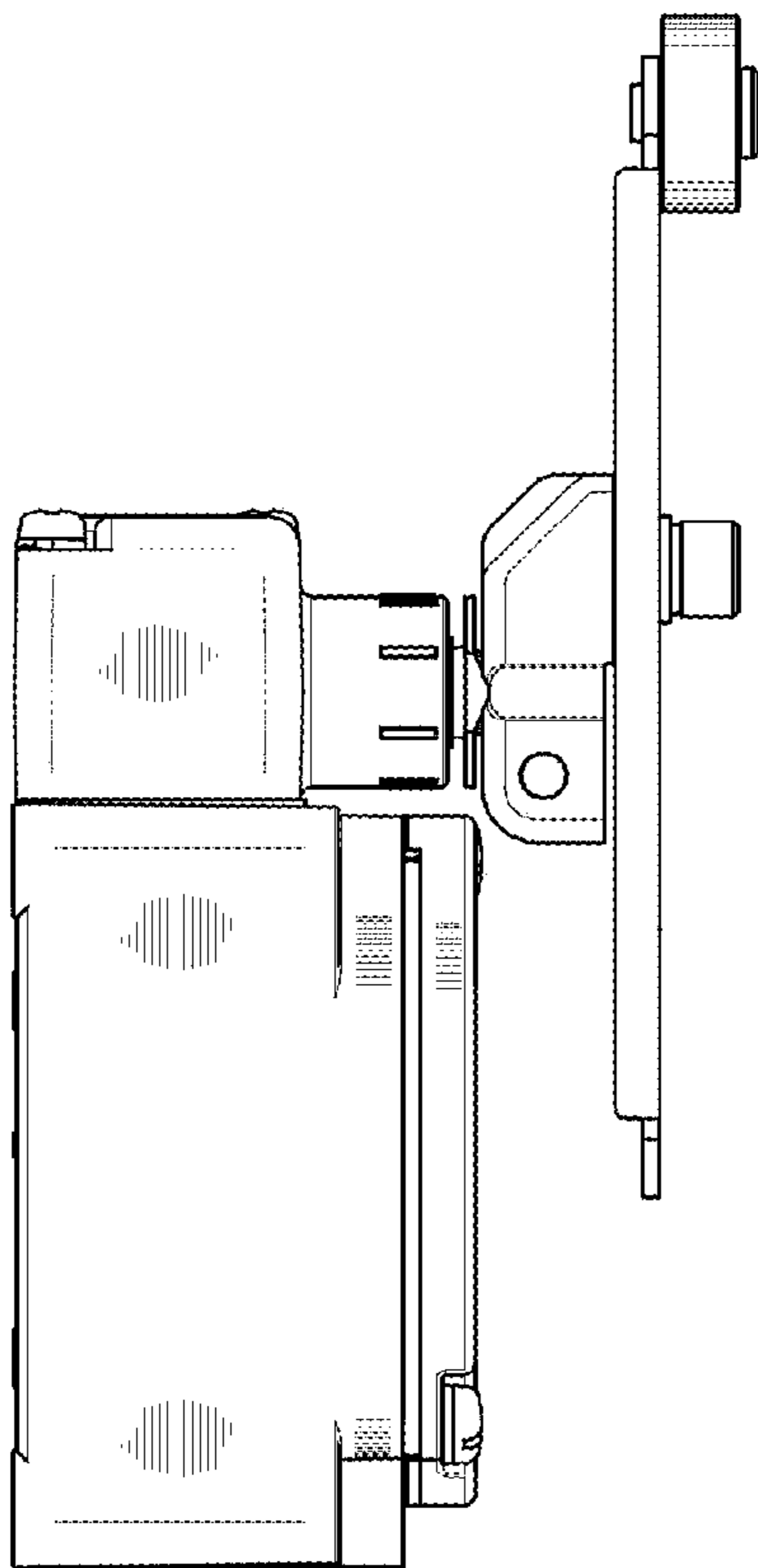


Fig. 15

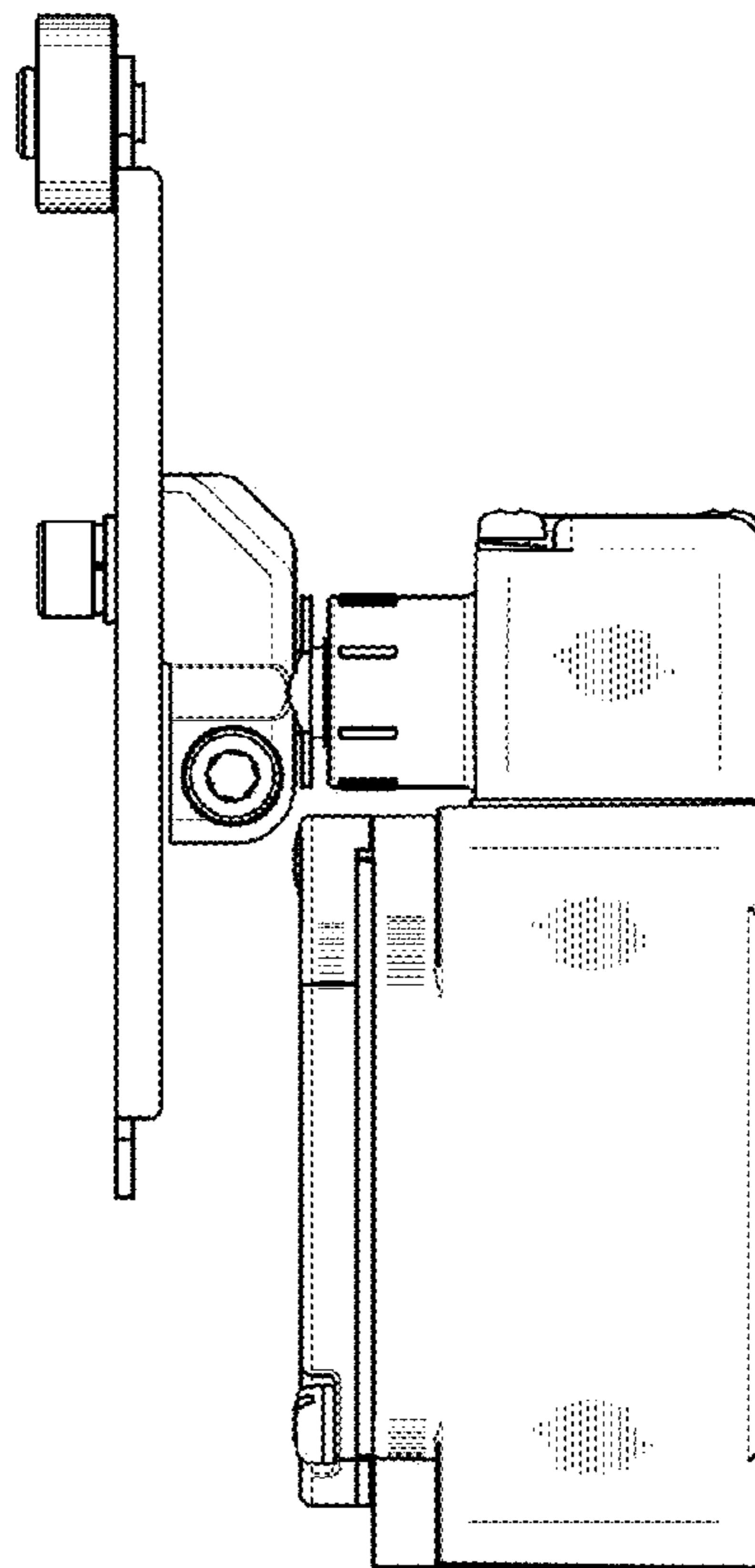


Fig. 16

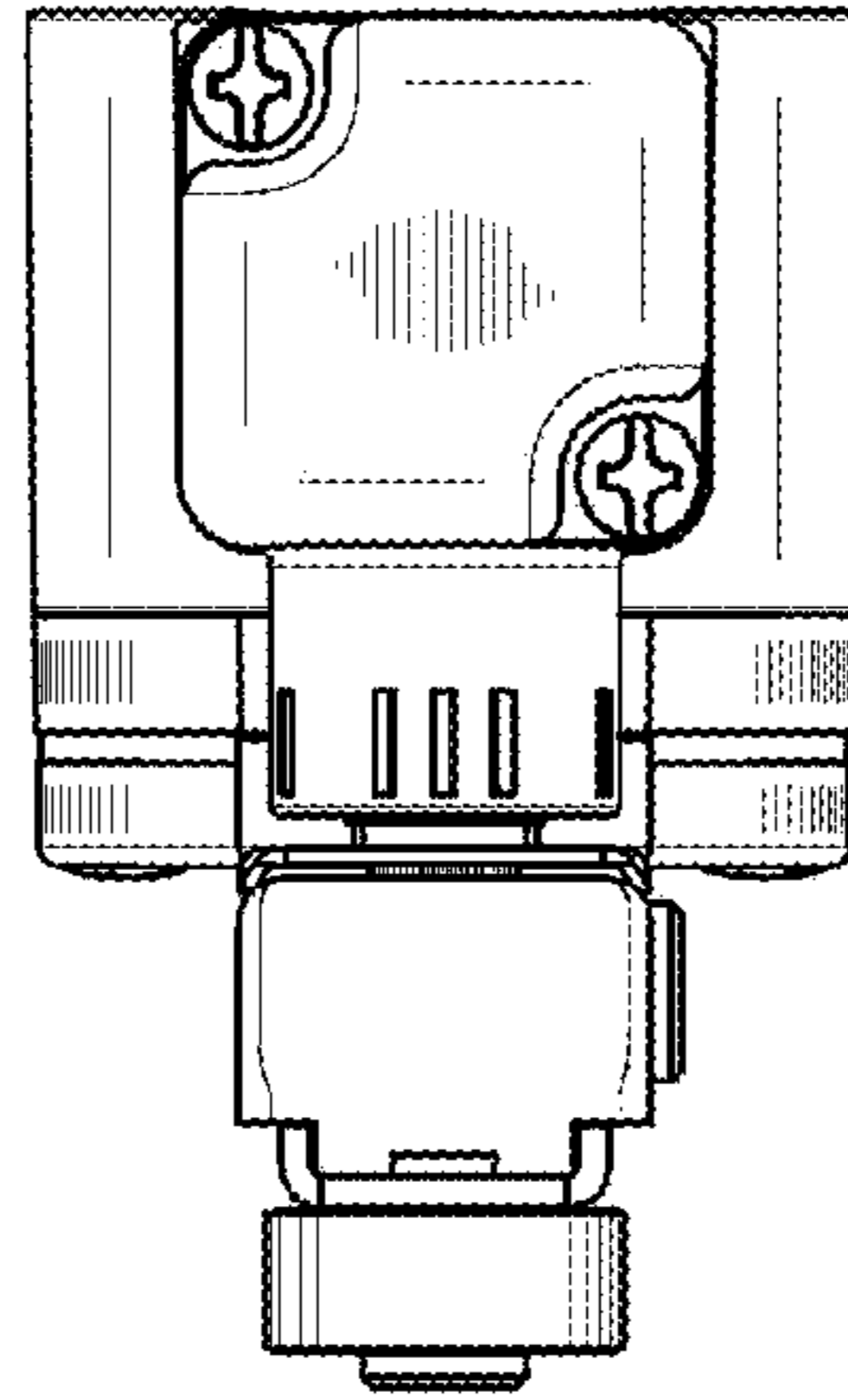


Fig. 17

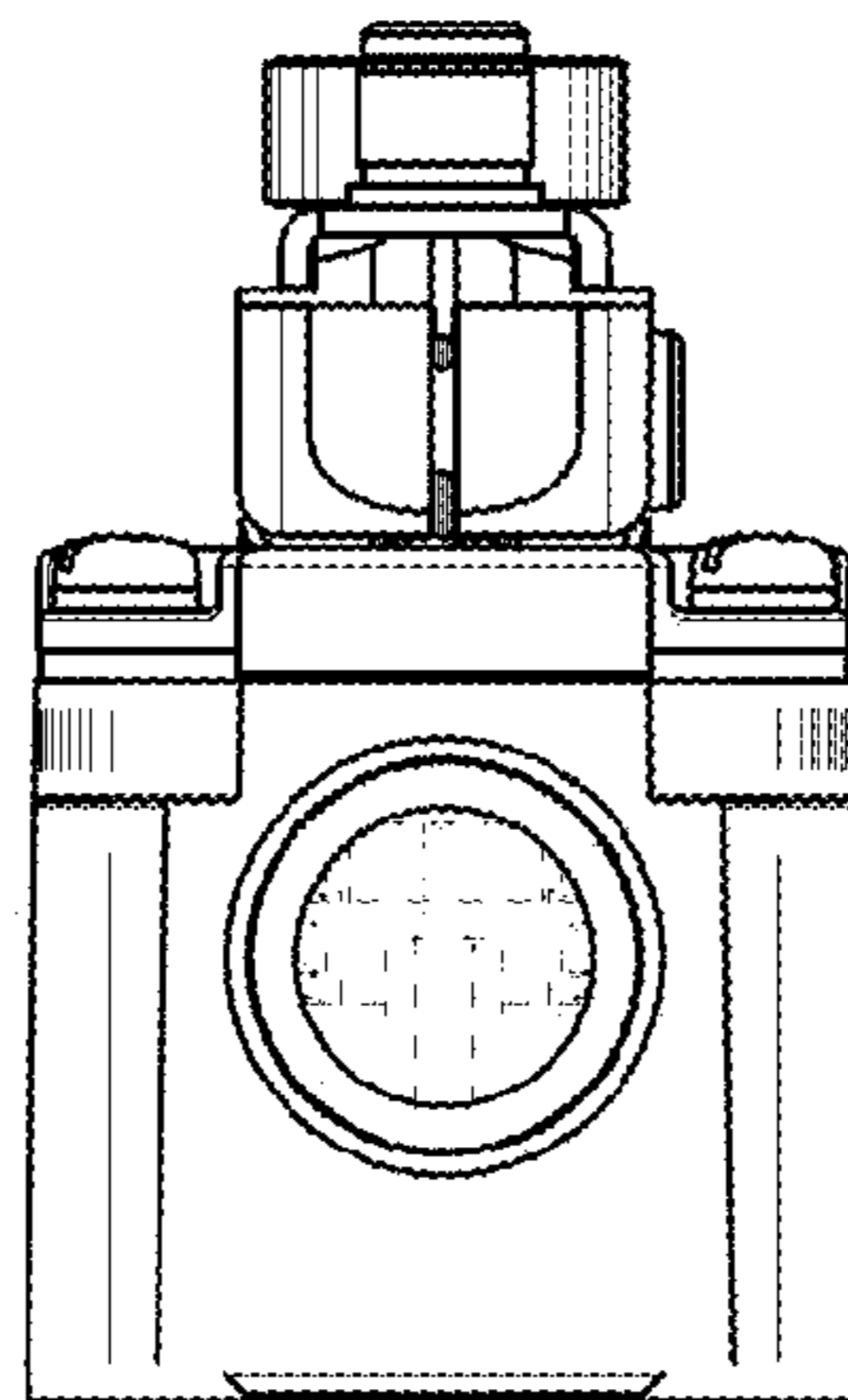
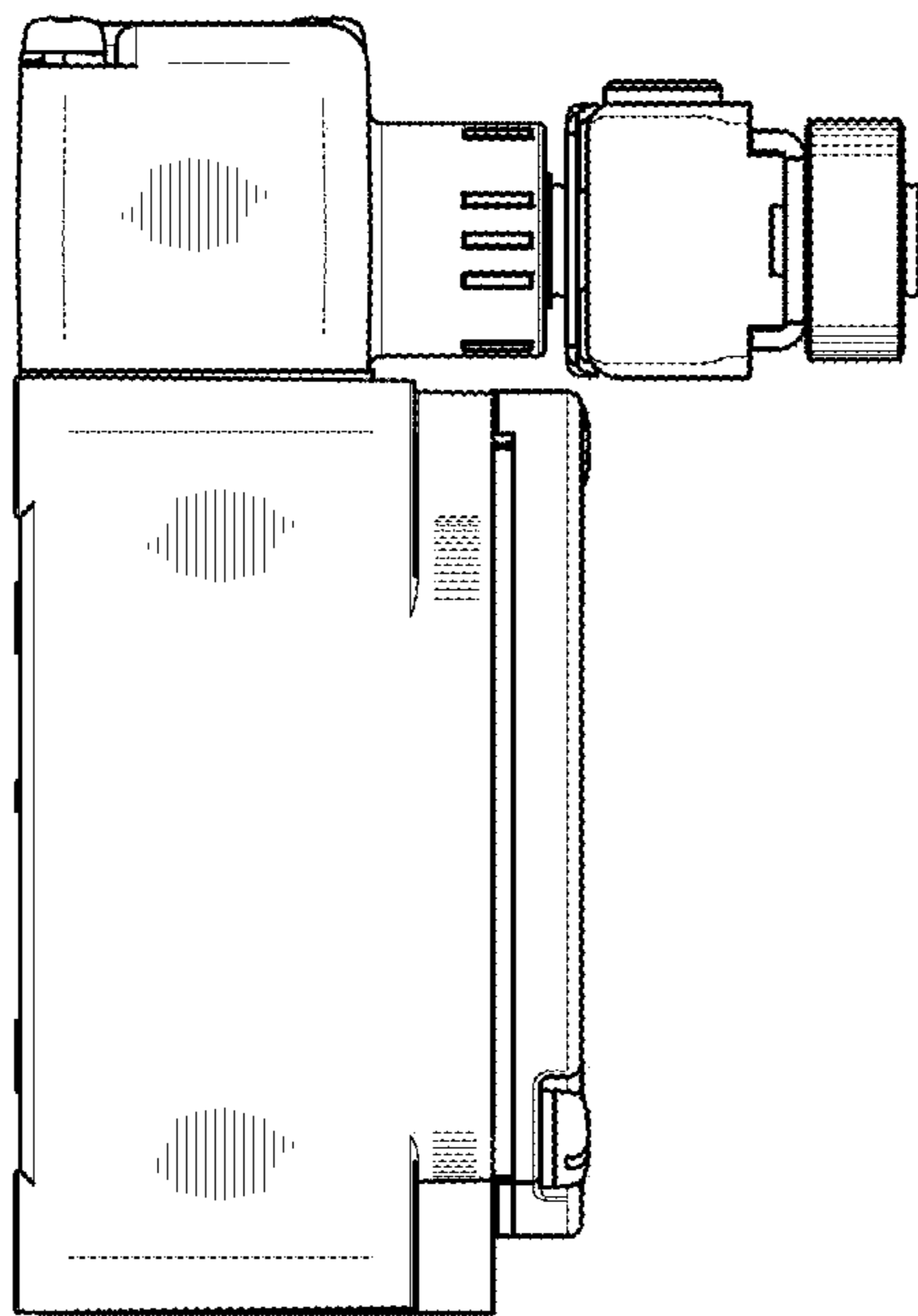


Fig. 18



UNITED STATES PATENT AND TRADEMARK OFFICE
CERTIFICATE OF CORRECTION

PATENT NO. : D703,620 S
APPLICATION NO. : 29/467109
DATED : April 29, 2014
INVENTOR(S) : Manabu Takahashi et al.

Page 1 of 1

It is certified that error appears in the above-identified patent and that said Letters Patent is hereby corrected as shown below:

On the title page item (72) Inventors should read: Manabu Takahashi, Kyoto (JP);
Kazuyuki Tsukimori, Kyoto (JP);
Shigenobu Fukui, Kyoto (JP);
Hiroyuki Moriyama, Kyoto (JP);
Shinya Katsube, Kyoto (JP)

Signed and Sealed this
Twenty-sixth Day of August, 2014



Michelle K. Lee
Deputy Director of the United States Patent and Trademark Office