



US00D703618S

(12) **United States Design Patent**
Kodama et al.

(10) **Patent No.:** **US D703,618 S**
(45) **Date of Patent:** **** Apr. 29, 2014**

(54) **ELECTRICAL TERMINAL**

(71) Applicant: **Hitachi Cable, Ltd.**, Tokyo (JP)

(72) Inventors: **Sohei Kodama**, Hitachi (JP); **Hideki Nonen**, Hitachi (JP)

(73) Assignee: **Hitachi Metals, Ltd.**, Tokyo (JP)

(**) Term: **14 Years**

(21) Appl. No.: **29/443,377**

(22) Filed: **Jan. 16, 2013**

(30) **Foreign Application Priority Data**

Jul. 17, 2012 (JP) 2012-016945

(51) **LOC (10) Cl.** **13-03**

(52) **U.S. Cl.**
USPC **D13/154**

(58) **Field of Classification Search**
USPC D13/133, 146, 147, 148, 154, 184, 199;
439/271, 272, 277, 839, 849–850, 852,
439/862, 870, 877, 884–885, 887–891, 927
See application file for complete search history.

(56) **References Cited**

U.S. PATENT DOCUMENTS

D106,423 S *	10/1937	Brodeen	D13/119
D491,535 S *	6/2004	Chien	D13/154
D593,037 S *	5/2009	Shien-Tang	D13/154
D605,137 S *	12/2009	Yu et al.	D13/154
D606,024 S *	12/2009	Chiang	D13/154

* cited by examiner

Primary Examiner — Daniel Bui
(74) *Attorney, Agent, or Firm* — McGinn IP Law Group, PLLC

(57) **CLAIM**

The ornamental design for an electrical terminal, as shown and described.

DESCRIPTION

FIG. 1 is a perspective view of an electrical terminal showing our new design;
FIG. 2 is a front elevation view thereof;
FIG. 3 is a right side elevation thereof;
FIG. 4 is a left side elevation thereof;
FIG. 5 is a top plan view thereof;
FIG. 6 is a bottom plan view thereof; and,
FIG. 7 is a back elevation view thereof.
This article is an electrical terminal for grounding connection, which is configured to be attached to a terminal of a shield cable having no drain wire.

1 Claim, 4 Drawing Sheets

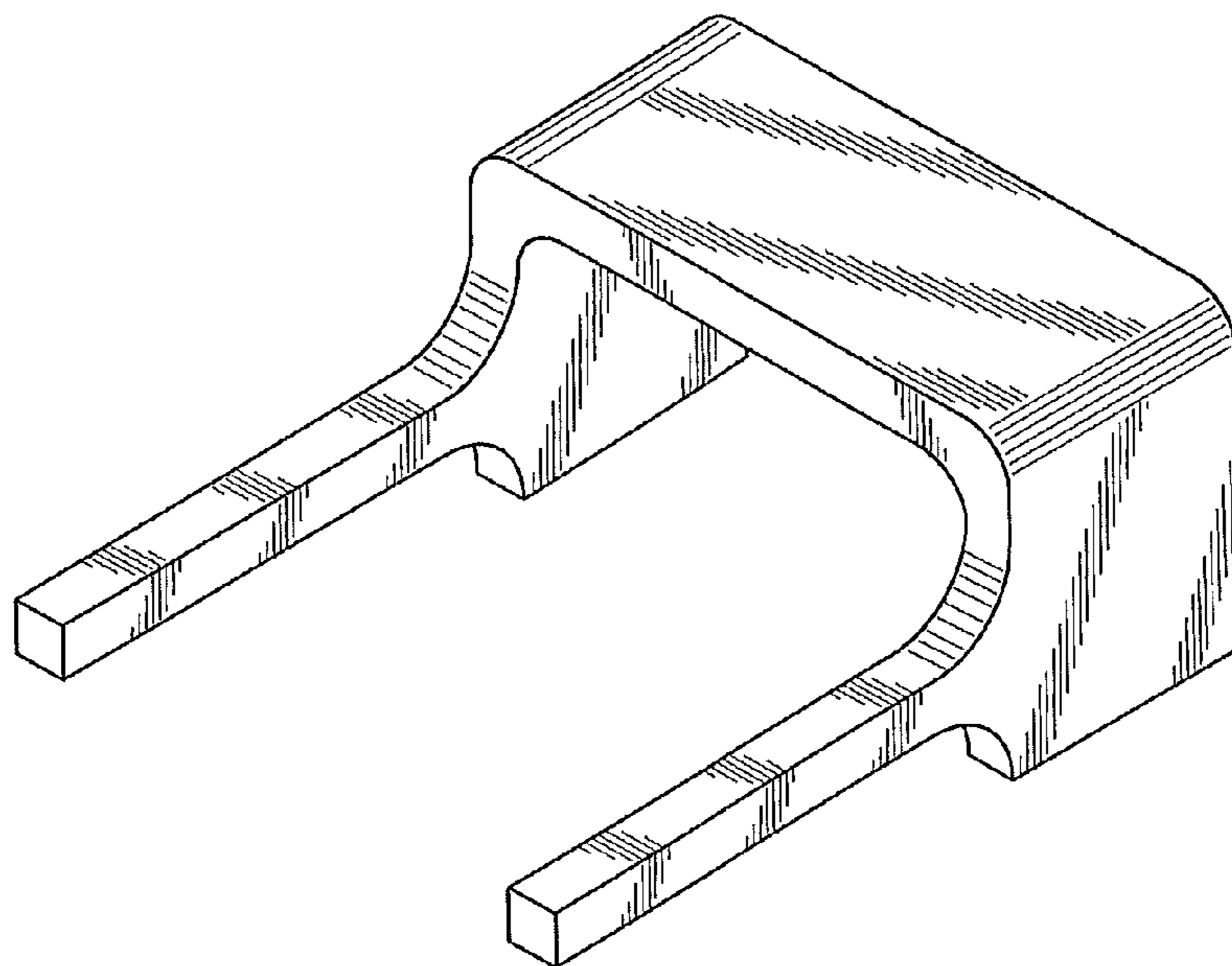


FIG. 1

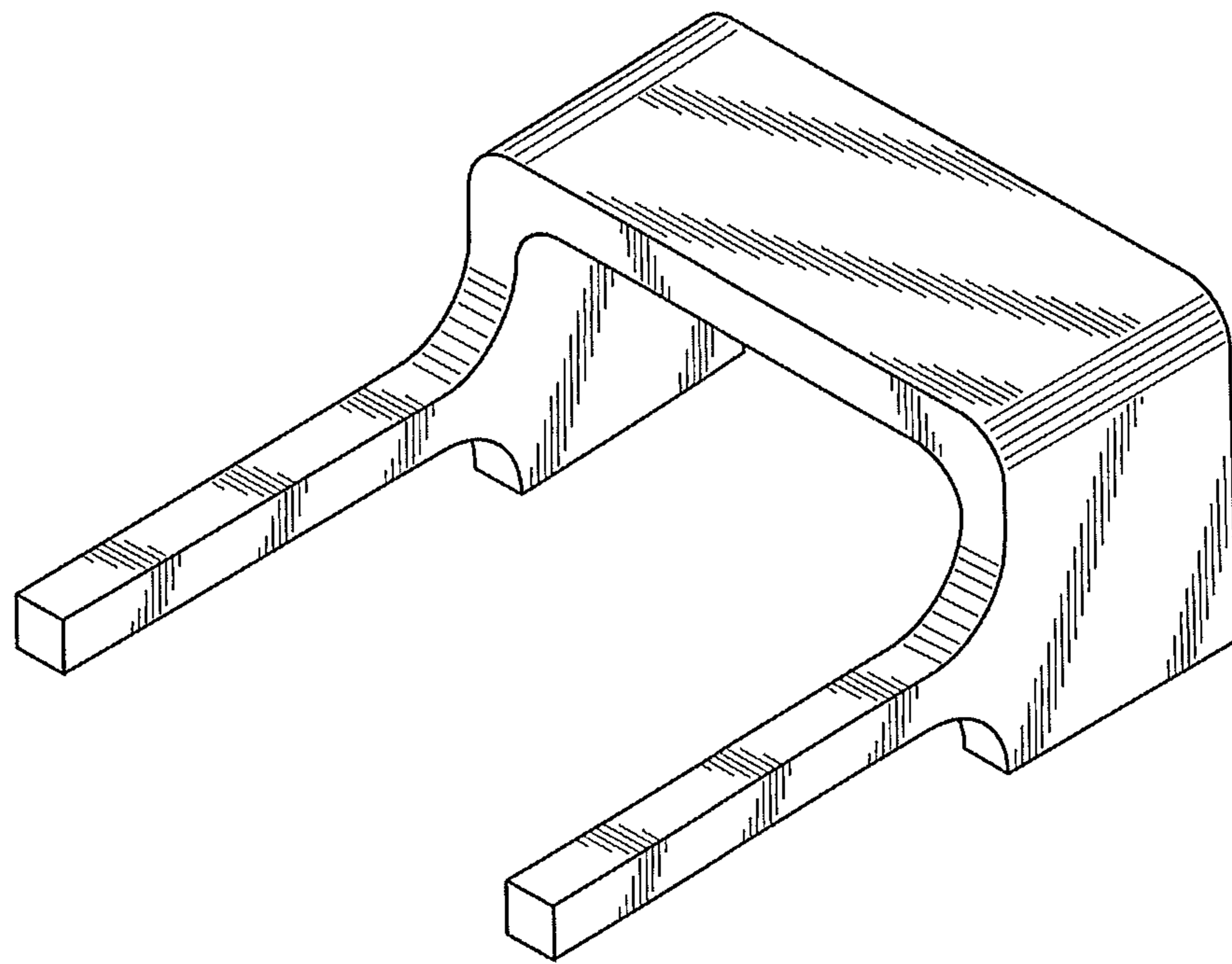


FIG.2

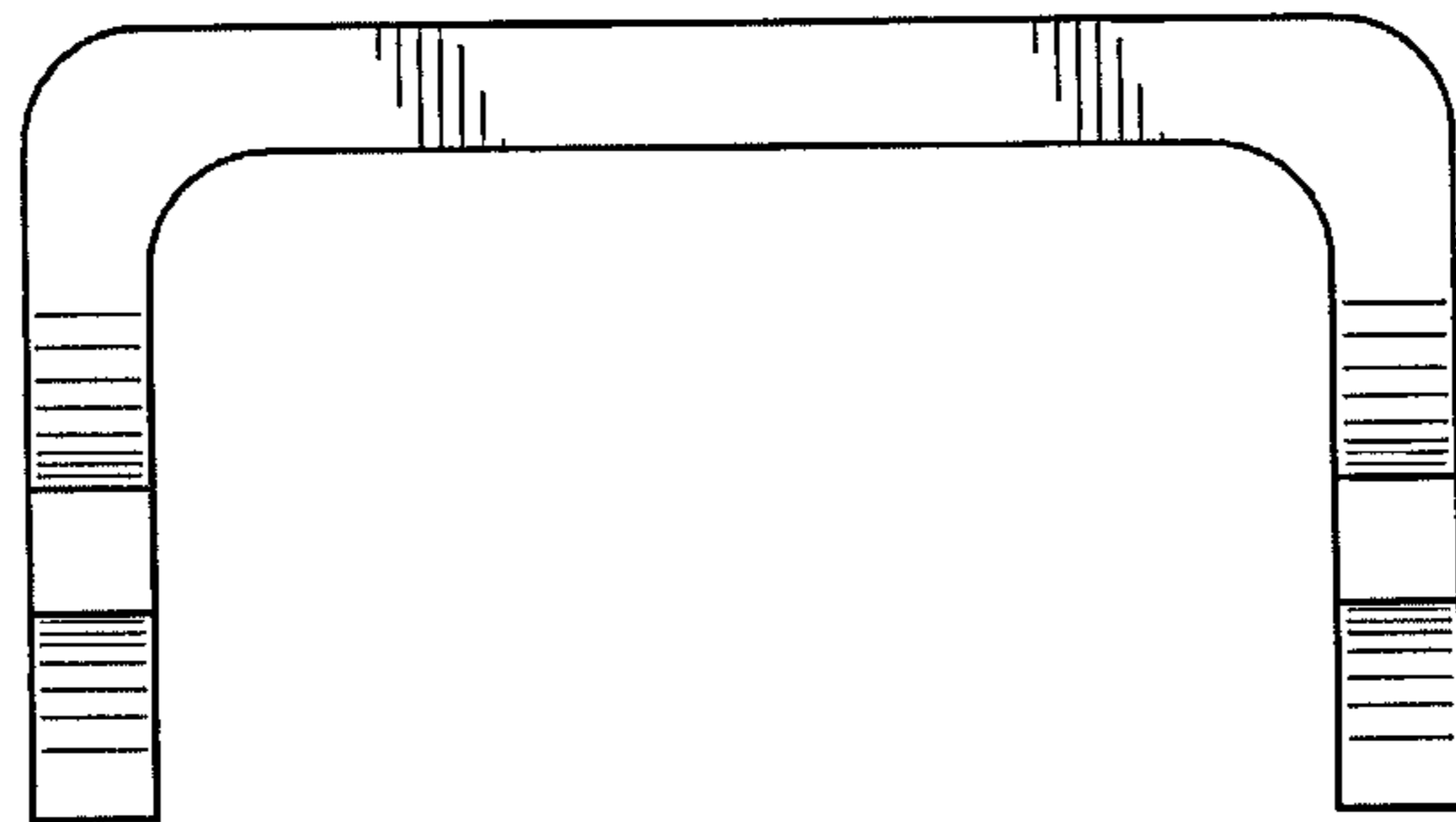


FIG.3

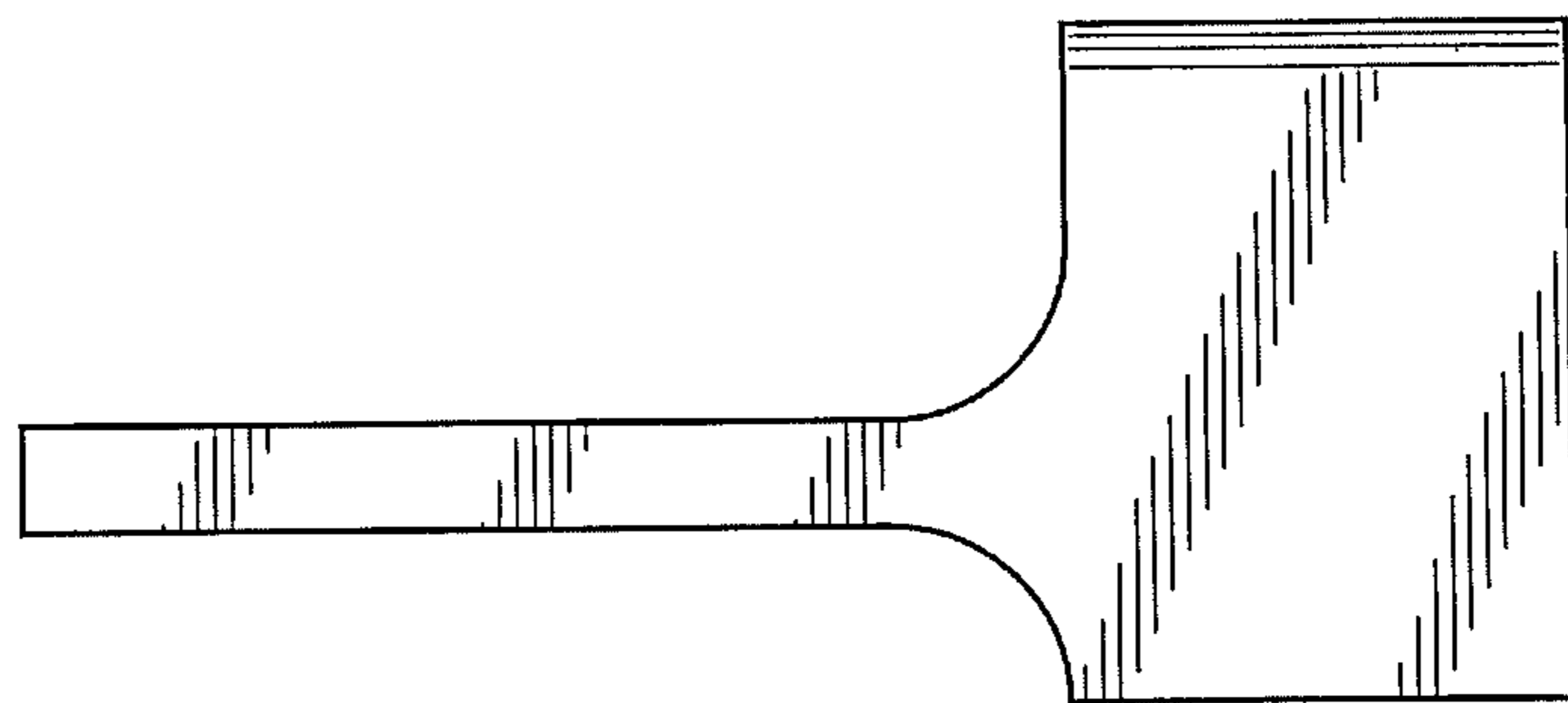


FIG.4

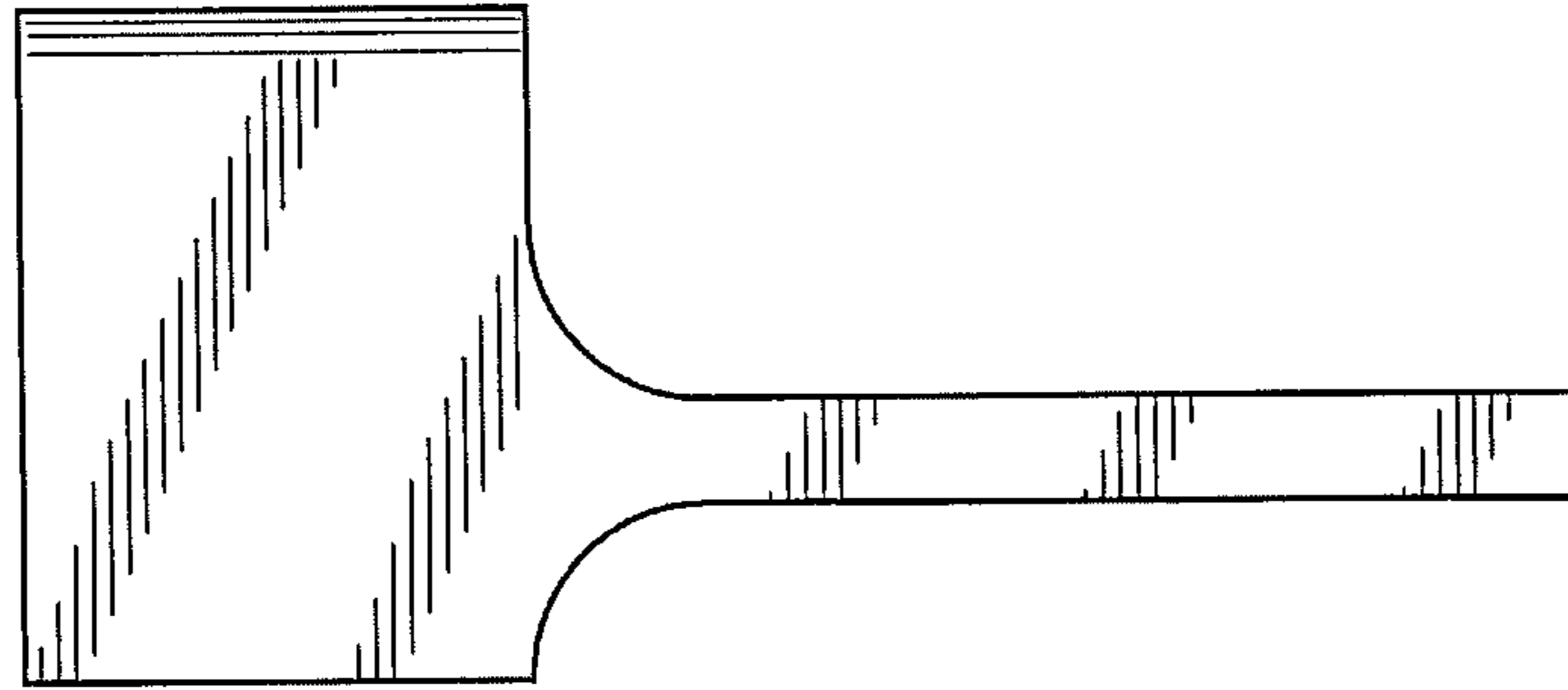


FIG.5

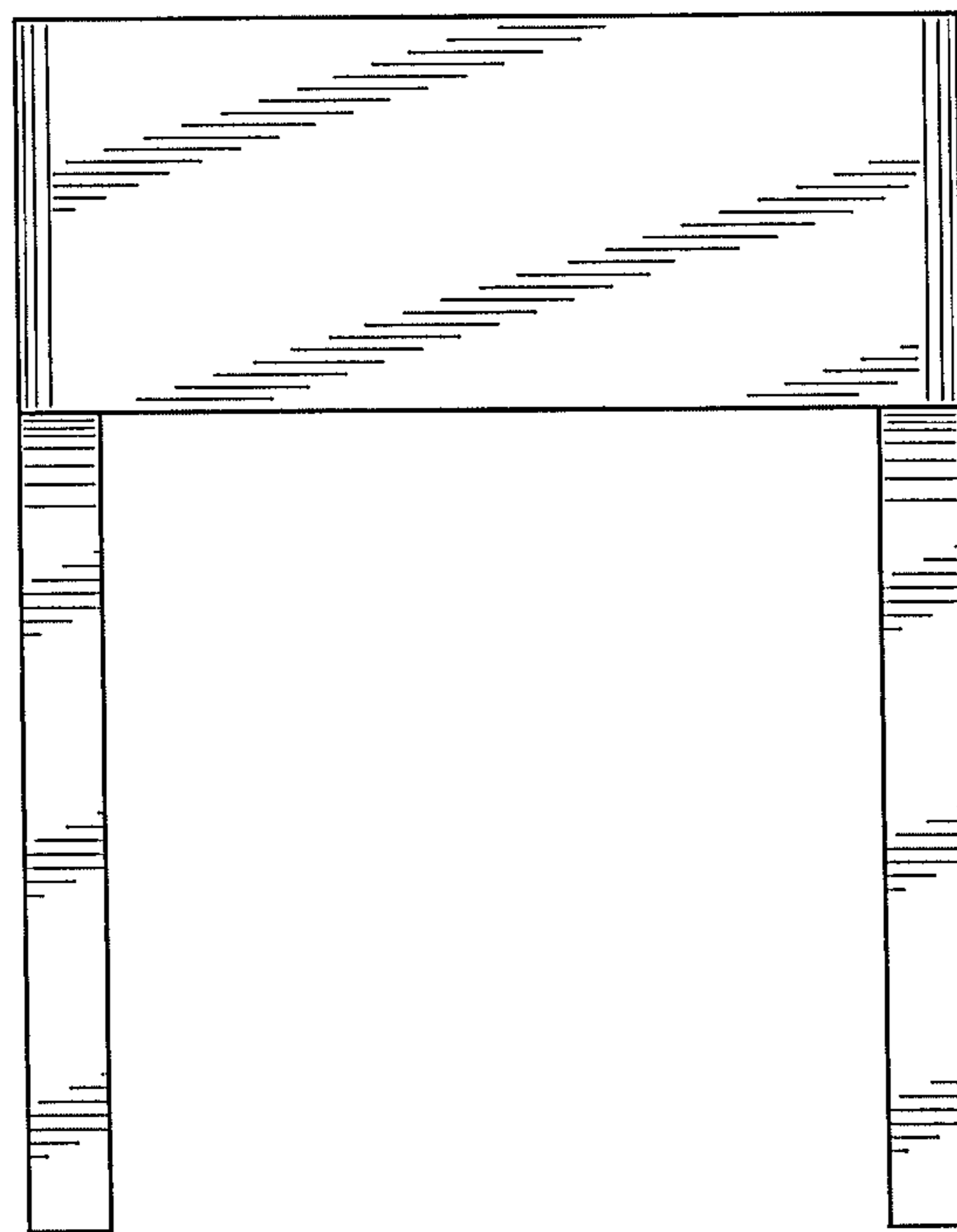


FIG.6

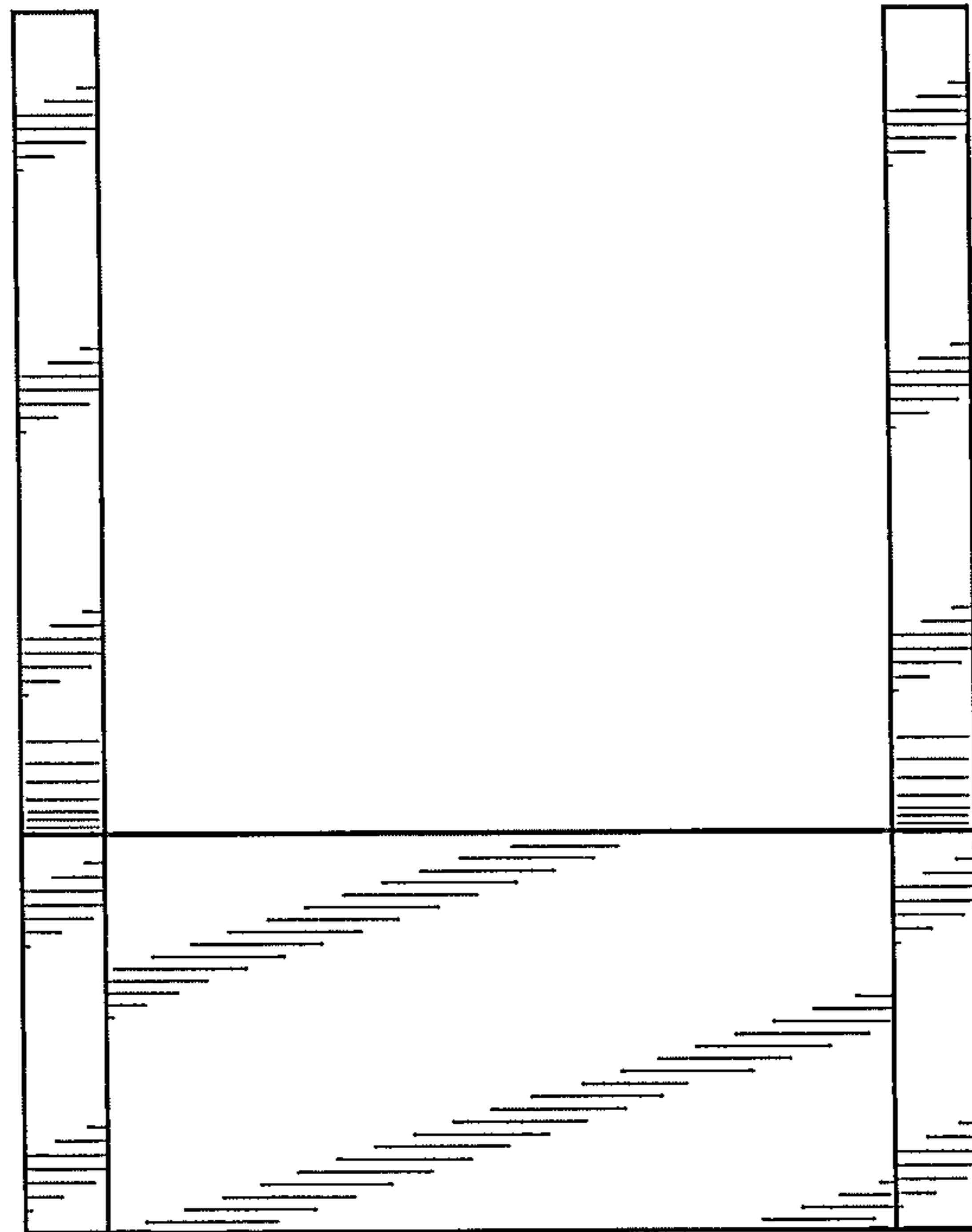


FIG.7

