



US00D703617S

(12) **United States Design Patent**
Janky et al.

(10) **Patent No.:** **US D703,617 S**

(45) **Date of Patent:** **** Apr. 29, 2014**

(54) **LAUNCH CABLE CASE**

(75) Inventors: **Sena E. R. Janky**, Sammamish, WA
(US); **Edmond C. Eng**, Kirkland, WA
(US); **Mark Goldstein**, Austin, TX (US)

(73) Assignee: **Fluke Corporation**, Everett, WA (US)

(**) Term: **14 Years**

(21) Appl. No.: **29/415,355**

(22) Filed: **Mar. 9, 2012**

(51) **LOC (10) Cl.** **13-03**

(52) **U.S. Cl.**
USPC **D13/154**; D13/184

(58) **Field of Classification Search**
USPC D13/123, 133, 146, 147, 154, 158, 160,
D13/162, 171, 184, 199; 439/47, 79, 260,
439/329, 357, 409, 715, 717, 823, 946, 686,
439/689, 601.01–601.09, 607.12,
439/607.16–17, 607.28, 607.29, 607.35,
439/620.04, 620.15, 626, 645, 676, 709,
439/701, 712, 716, 866, 445, 402, 324, 259,
439/224, 176, 511, 660, 729, 721, 607.01,
439/541.5, 495; 324/756.01; 248/694;
D14/149, 240, 242, 358, 368, 385;
D3/289, 321; D6/632; D9/423;
711/100, 115; 369/272.1;
360/132–133, 135

See application file for complete search history.

(56) **References Cited**

U.S. PATENT DOCUMENTS

D349,520 S * 8/1994 Iwakami D21/332
D413,893 S * 9/1999 Luzbetak et al. D14/240
D468,199 S * 1/2003 Lambelet et al. D9/423
D480,716 S * 10/2003 Saikawa et al. D14/242
D492,946 S * 7/2004 Loiske et al. D14/240
D495,185 S * 8/2004 Palmer D6/632
D501,643 S * 2/2005 Strand et al. D10/104.1
D512,051 S * 11/2005 Wikel et al. D14/240

D518,640 S * 4/2006 Hoofnagle D3/321
D523,854 S * 6/2006 Rinna et al. D14/358
D552,496 S * 10/2007 Janky et al. D10/78
D562,317 S * 2/2008 Lagerberg et al. D14/358
D566,115 S * 4/2008 Swanson et al. D14/358
D566,116 S * 4/2008 Hu D14/368
D574,615 S * 8/2008 Picot et al. D3/289
D579,871 S * 11/2008 Hsiau D13/133

(Continued)

OTHER PUBLICATIONS

Fluke Networks SMC-9-SCE2KAPC Singlemode Launch cable for OptiFiber. Retrieved from “<http://amazon.com/Fluke-Networks-SMC-9-SCE2KAPC-Singlemode-OptiFiber/dp/B007IUK2IA>” Retrieved Dec. 4, 2013 3:38:59 PM. PDF can be found attached to action.*

(Continued)

Primary Examiner — Thomas Johannes
Assistant Examiner — Khawaja Anwar
(74) *Attorney, Agent, or Firm* — Edwards Wildman Palmer LLP; Scott D. Wofsy; Christopher J. Capelli

(57) **CLAIM**

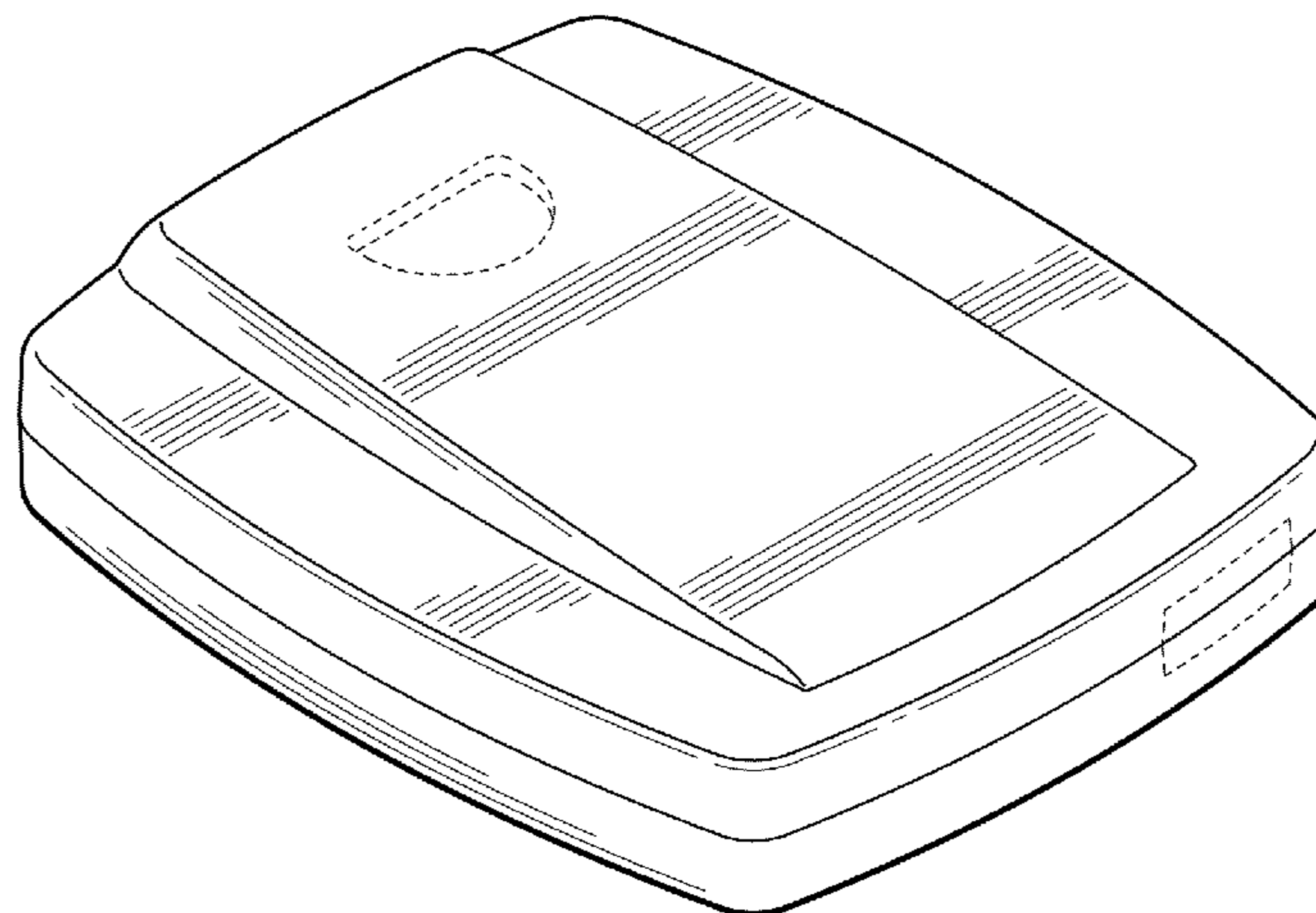
We claim the ornamental design for a launch cable case, as shown and described.

DESCRIPTION

FIG. 1 is a front perspective view of a launch cable case showing our new design;
FIG. 2 is a rear perspective view thereof;
FIG. 3 is a right side view thereof;
FIG. 4 is a left side view thereof;
FIG. 5 is a top view thereof;
FIG. 6 is a bottom view thereof;
FIG. 7 is a front side view thereof; and,
FIG. 8 is a back side view thereof.

The broken line portion of the figure drawings is included to show unclaimed subject matter only and forms no part of the claimed design.

1 Claim, 3 Drawing Sheets



(56)

References Cited

U.S. PATENT DOCUMENTS

D586,813 S *	2/2009	Colburn	D14/385
D619,571 S *	7/2010	Lee	D14/242
D651,208 S *	12/2011	Pacyga et al.	D14/358
D656,133 S *	3/2012	Wang et al.	D14/240
D667,402 S *	9/2012	Maus	D14/385
D671,090 S *	11/2012	Birger	D14/149
D671,534 S *	11/2012	Huang	D14/242

OTHER PUBLICATIONS

Fluke Networks SMC-9-SCST Singlemode SC/ST Launch Cable.
Retrieved from "shopflukenetworks.com/product/fluke-networks-smc-9-scst-singlemode-sc-st-launch-cable" Retrieved Dec. 4, 2013 3:37:36 PM. PDF can be found attached to action.*

* cited by examiner

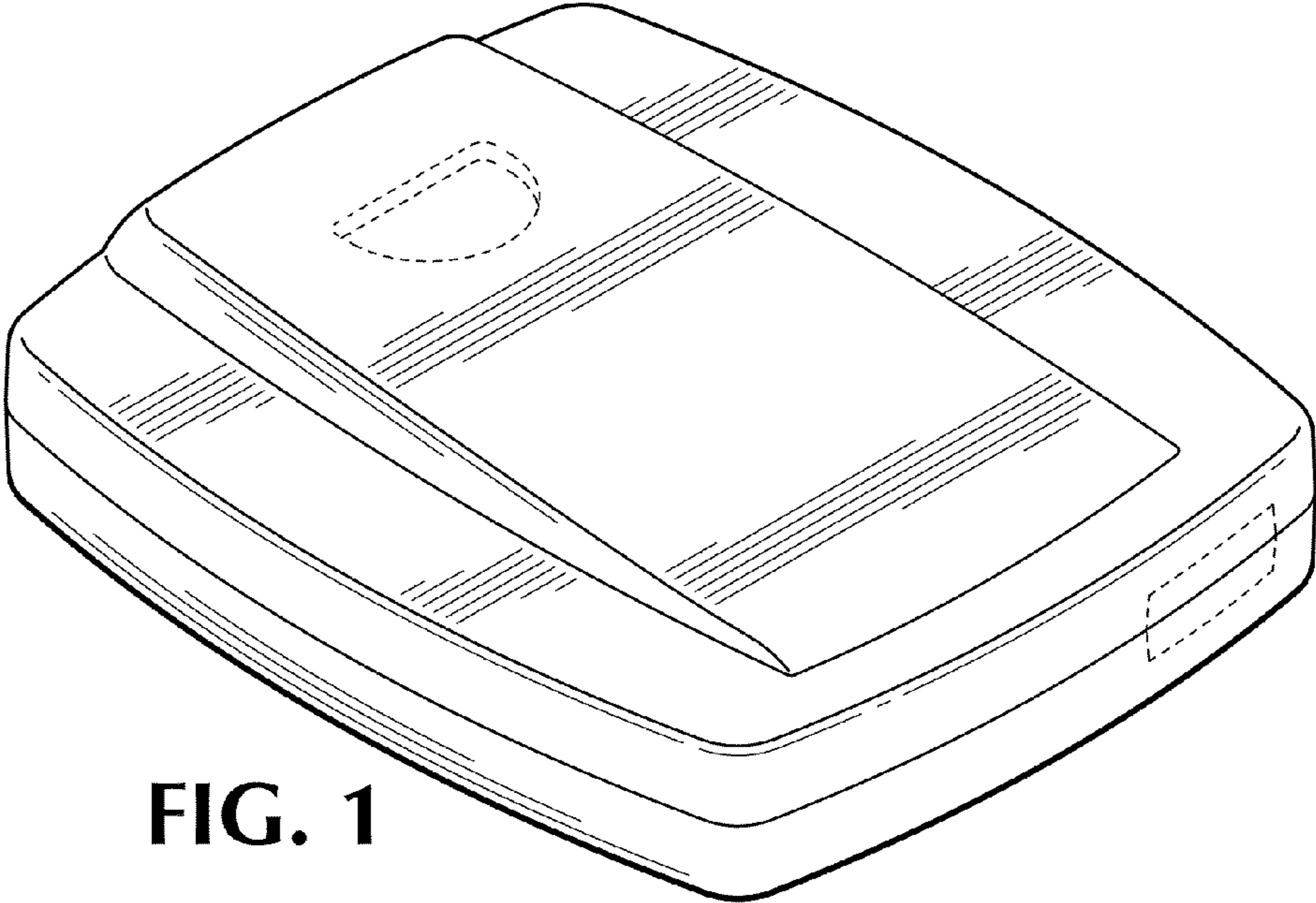


FIG. 1

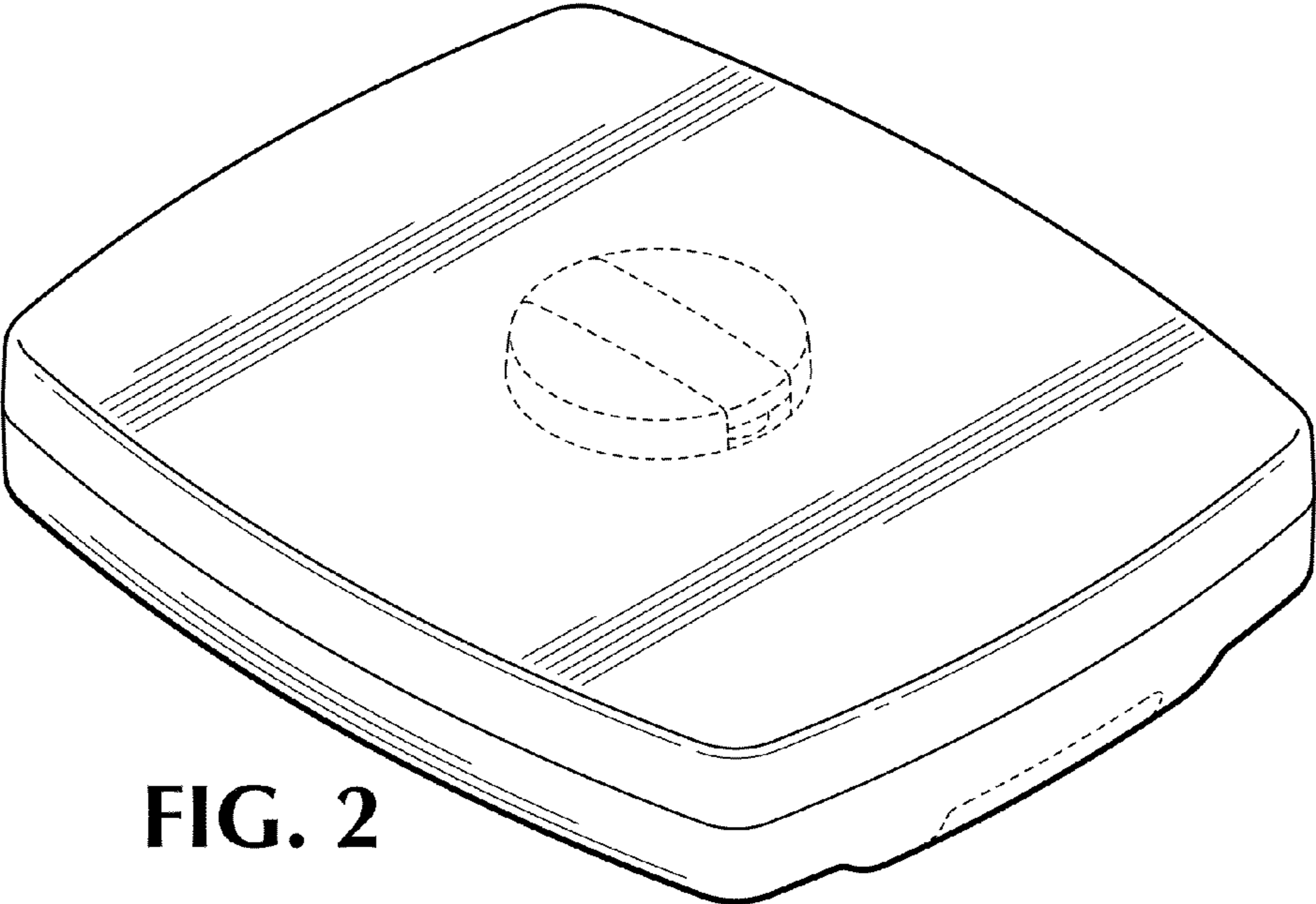


FIG. 2

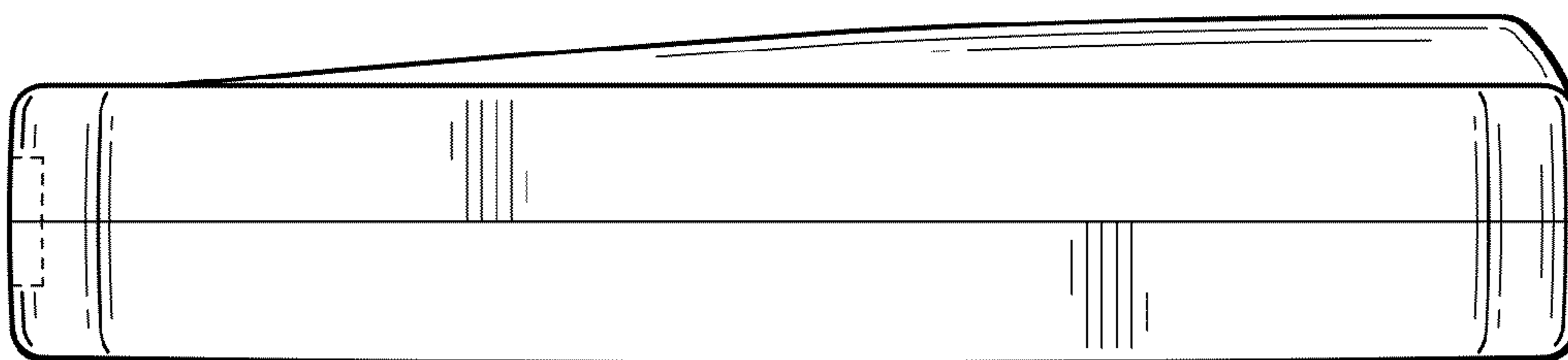


FIG. 3

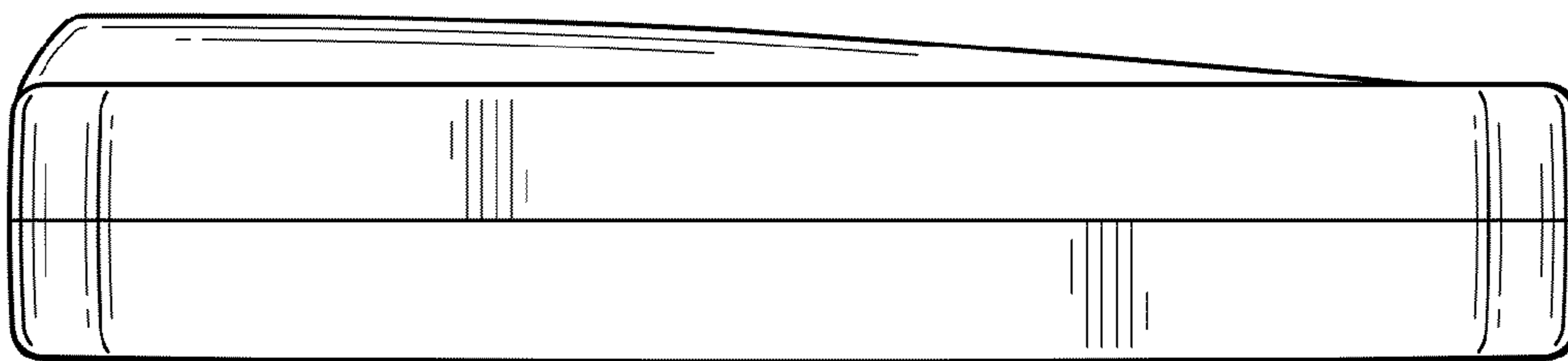


FIG. 4

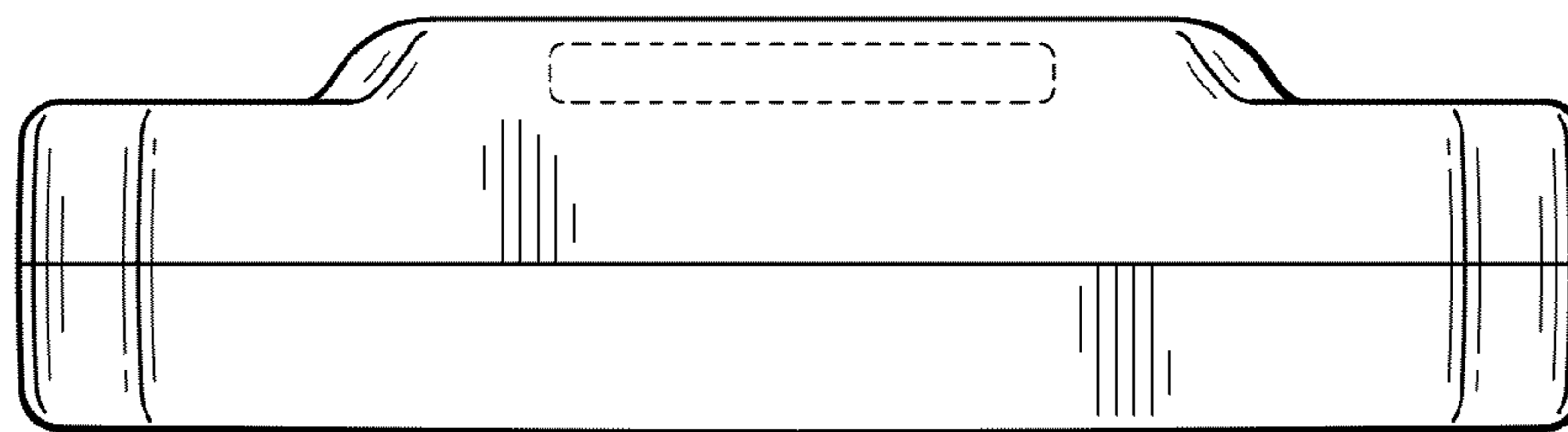


FIG. 5

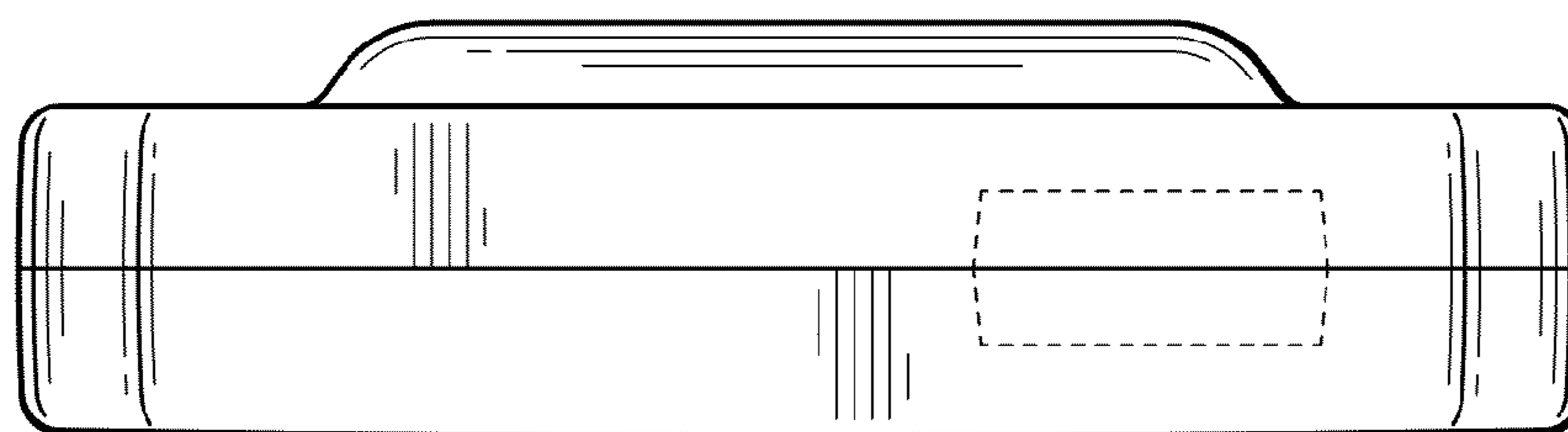


FIG. 6

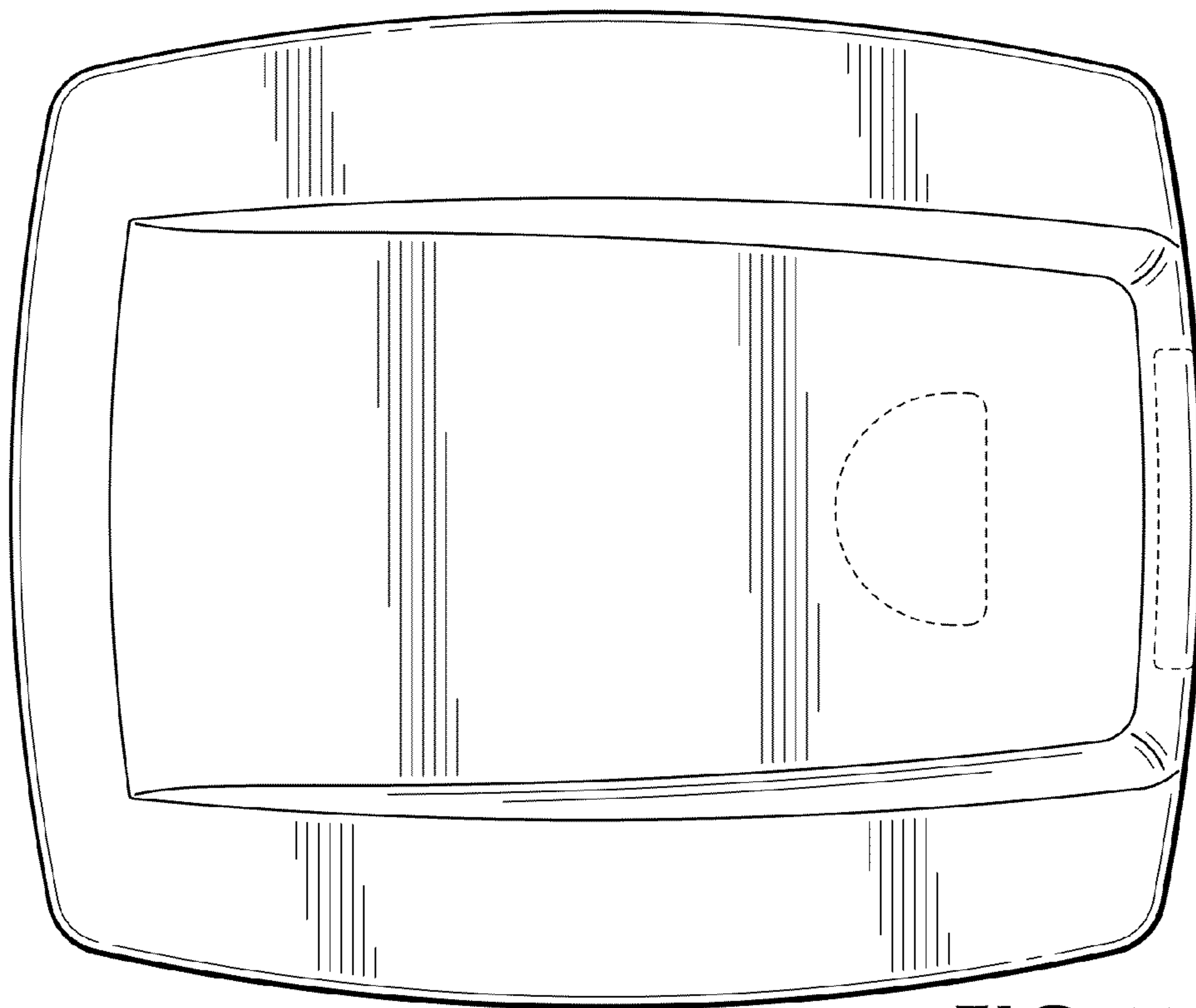


FIG. 7

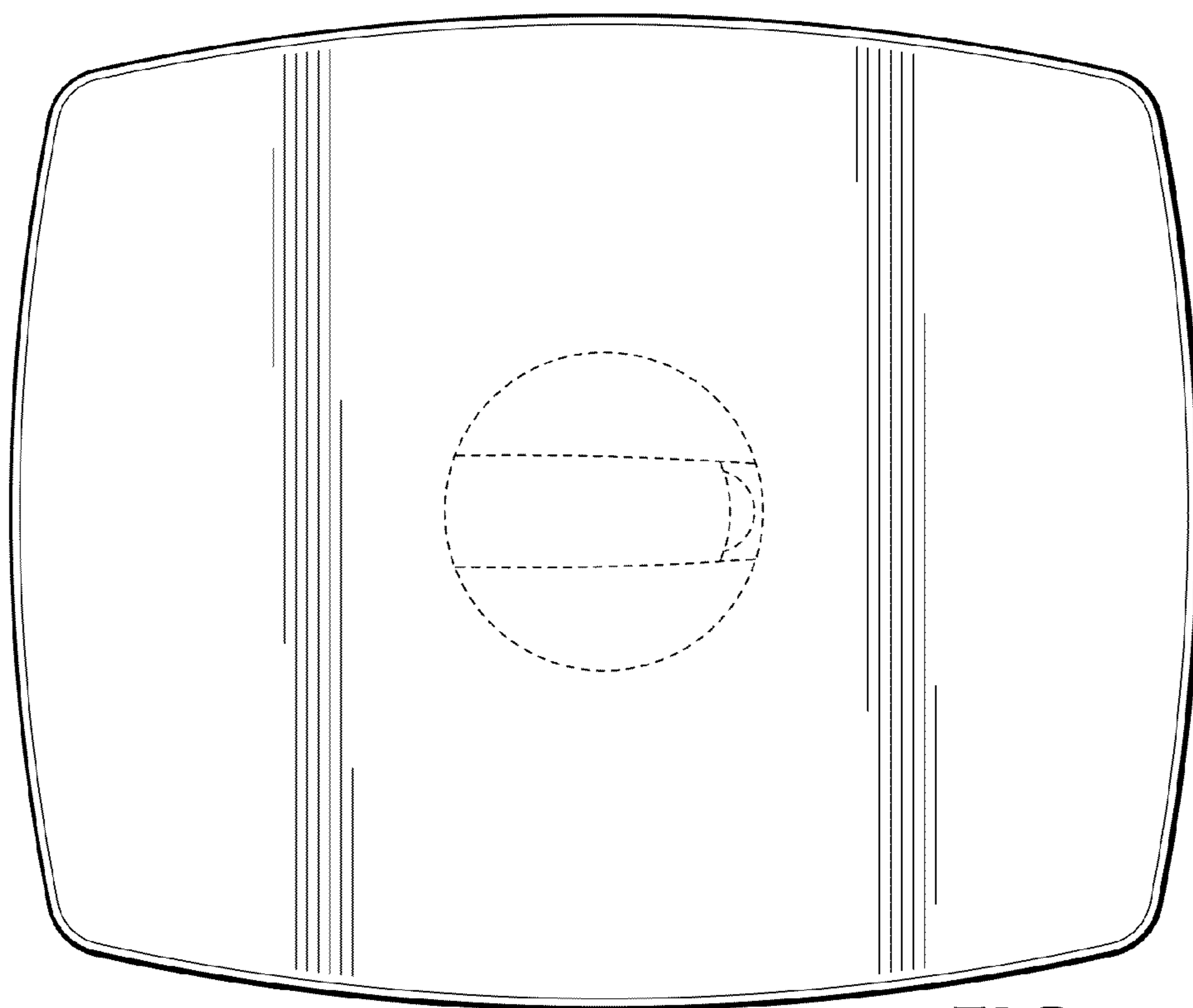


FIG. 8