



US00D703616S

(12) **United States Design Patent**
Akana et al.

(10) **Patent No.:** **US D703,616 S**
(45) **Date of Patent:** **** Apr. 29, 2014**

(54) **ADAPTER** 439/180, 217–218, 225, 246, 252, 278–279,
439/290–291, 329, 352–353, 378–381,
(71) Applicant: **Apple Inc.**, Cupertino, CA (US) 439/488–490, 610, 650, 660, 668, 677–678,
439/680, 682
(72) Inventors: **Jody Akana**, San Francisco, CA (US);
Bartley K. Andre, Palo Alto, CA (US);
Jeremy Bataillou, San Francisco, CA
(US); **Daniel J. Coster**, San Francisco,
CA (US); **Daniele De Iuliis**, San
Francisco, CA (US); **M. Evans Hankey**,
San Francisco, CA (US); **Julian Hoenig**,
San Francisco, CA (US); **Richard P.**
Howarth, San Francisco, CA (US);
Jonathan P. Ive, San Francisco, CA
(US); **Duncan Robert Kerr**, San
Francisco, CA (US); **Matthew Dean**
Rohrbach, San Francisco, CA (US);
Peter Russell-Clarke, San Francisco,
CA (US); **Mikael Silvanto**, San
Francisco, CA (US); **Christopher J.**
Stringer, Woodside, CA (US); **Eugene**
Antony Whang, San Francisco, CA
(US); **Rico Zörkendörfer**, San
Francisco, CA (US)
See application file for complete search history.

(56) **References Cited**

U.S. PATENT DOCUMENTS

2,034,273 A	3/1936	Smith
4,600,810 A	7/1986	Feldman et al.
D330,704 S	11/1992	Wagner
5,179,501 A	1/1993	Ocken et al.
D333,293 S	2/1993	Ashida
5,267,882 A	12/1993	Davis
D348,909 S	7/1994	Nakanishi
D349,099 S	7/1994	Robertson, Jr. et al.
D349,526 S	8/1994	Nakanishi
5,364,292 A	11/1994	Bethurum
D354,315 S	1/1995	Nakanishi
D366,242 S	1/1996	Goto
D372,460 S	8/1996	Aramaki
D381,629 S	7/1997	Goto
D409,574 S	5/1999	Shimojo et al.
D415,111 S	10/1999	Lee
D422,559 S	4/2000	Tsai
D422,560 S	4/2000	Lok
D437,290 S	2/2001	Goto
D442,553 S	5/2001	Urban et al.
D447,121 S	8/2001	Yim
D447,467 S	9/2001	Hisada et al.
D449,275 S	10/2001	Goto
D457,194 S	5/2002	Goto
D464,997 S	10/2002	Goto
D471,156 S	3/2003	Sass et al.
D493,144 S	7/2004	Cheng et al.
6,921,284 B2	7/2005	Sirichai et al.
D514,524 S	2/2006	Suckle
D515,510 S	2/2006	Huang
D531,127 S	10/2006	Zhong et al.
7,210,943 B1	5/2007	Chang et al.
D549,660 S	8/2007	Zenri et al.
D550,158 S	9/2007	Victor
D552,546 S	10/2007	Nishio et al.
D553,087 S	10/2007	Ashida et al.
D553,092 S	10/2007	Arai et al.
D563,883 S	3/2008	Dever
D563,884 S	3/2008	Dever
D563,885 S	3/2008	Dever
D563,886 S	3/2008	Dever
D563,887 S	3/2008	Dever

(73) Assignee: **Apple Inc.**, Cupertino, CA (US)

(**) Term: **14 Years**

(21) Appl. No.: **29/454,924**

(22) Filed: **May 15, 2013**

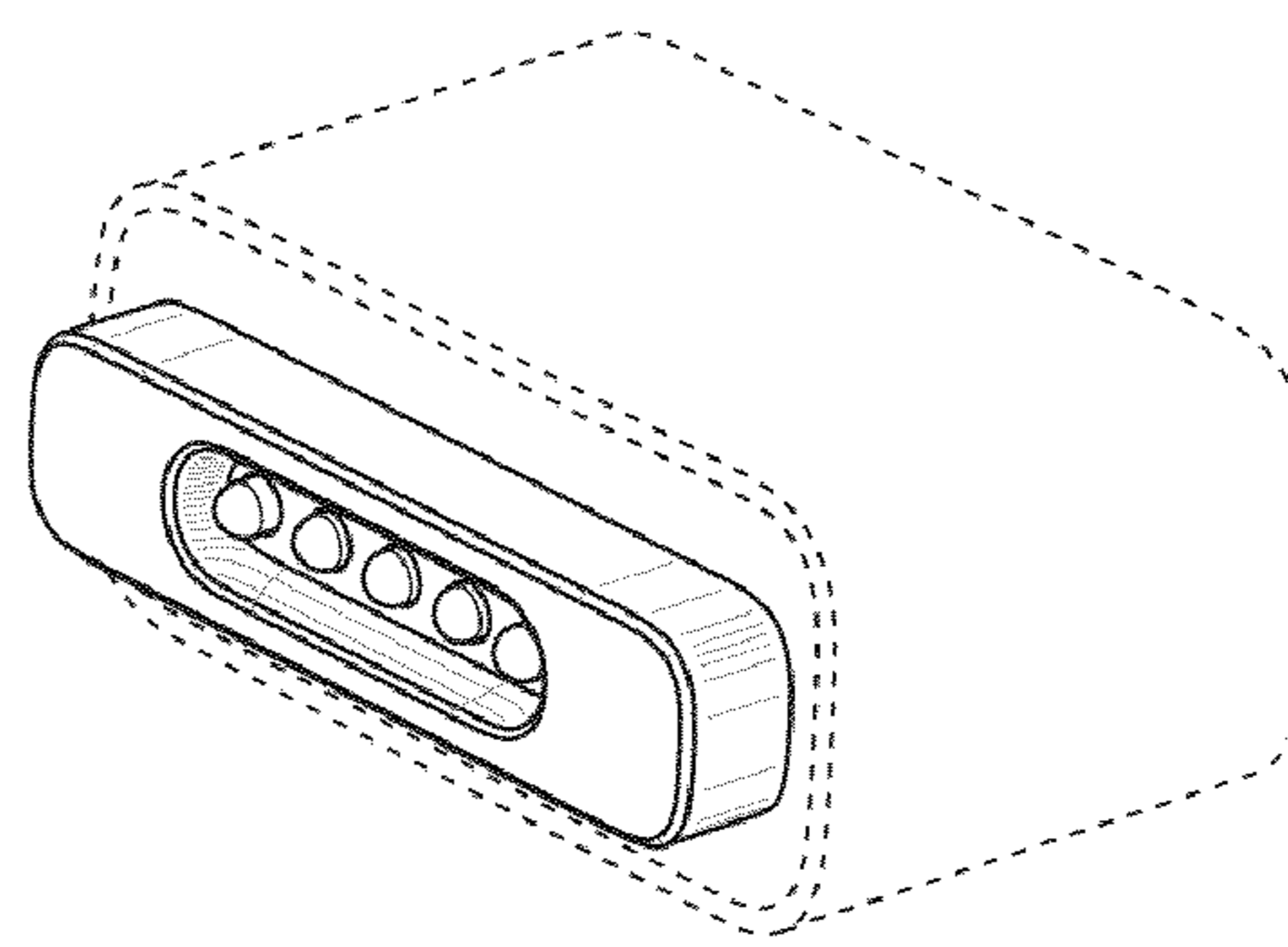
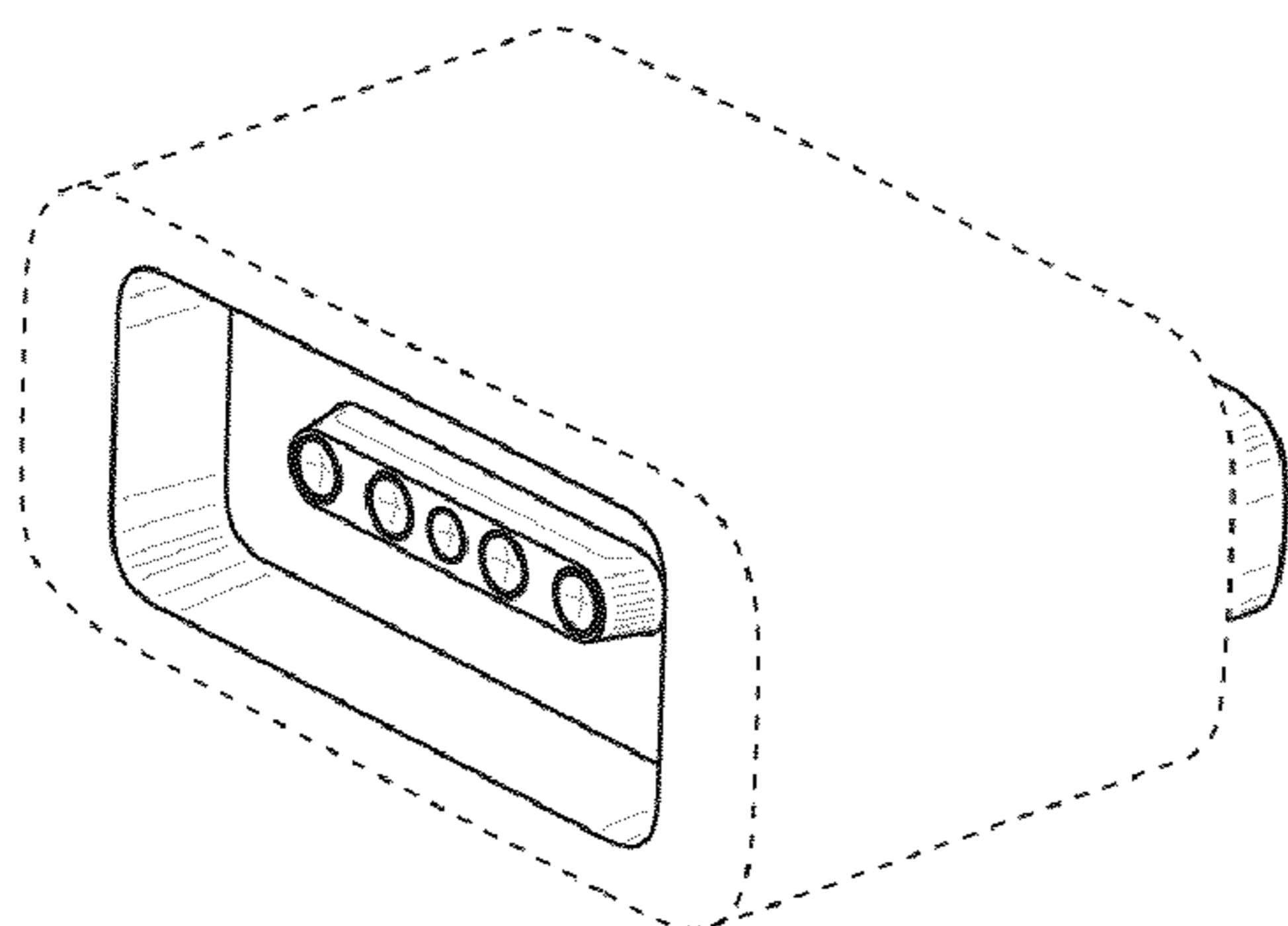
Related U.S. Application Data

(63) Continuation of application No. 29/424,258, filed on Jun. 8, 2012, now Pat. No. Des. 684,538.

(51) **LOC (10) Cl.** **13-03**

(52) **U.S. Cl.**
USPC **D13/147**

(58) **Field of Classification Search**
USPC D13/107, 108, 118, 120, 133, 146, 147,
D13/153, 154, 184, 199; D14/217, 357,
D14/432, 433, 435.1, 438; 439/38–40,
439/129–130, 135, 146, 149–150, 176–177,



D563,888	S	3/2008	Dever	
D563,890	S	3/2008	Dever	
D563,891	S	3/2008	Dever	
D566,656	S	4/2008	Dever	
D569,808	S	5/2008	Dever	
D571,296	S	6/2008	Kuo et al.	
D574,778	S	8/2008	Szeto et al.	
7,429,188	B2	9/2008	Wu	
D579,880	S	11/2008	Birmingham et al.	
D580,861	S	11/2008	Amidon	
D588,545	S	3/2009	Andre et al.	
7,517,222	B2	4/2009	Rohrbach et al.	
7,540,733	B2	6/2009	Rossanese	
7,540,773	B2	6/2009	Ko	
7,632,134	B2	12/2009	Su et al.	
D607,831	S	1/2010	Andre et al.	
D618,178	S	6/2010	Andre et al.	
7,727,031	B2	6/2010	Lord	
D619,963	S	7/2010	Hou	
D620,450	S	7/2010	Andre et al.	
7,841,776	B2	11/2010	DiFonzo et al.	
D629,752	S	12/2010	Akana et al.	
D632,261	S	2/2011	Andre et al.	
D639,748	S	6/2011	Akana et al.	
D691,128	S *	10/2013	Akana et al.	D14/315
2002/0142665	A1	10/2002	Nishio et al.	
2003/0207611	A1	11/2003	Lin et al.	
2007/0072442	A1	3/2007	DiFonzo et al.	
2007/0072443	A1	3/2007	Rohrbach et al.	
2008/0003841	A1	1/2008	Su et al.	
2010/0080563	A1	4/2010	DiFonzo et al.	
2011/0038582	A1	2/2011	DiFonzo et al.	
2012/0148195	A1	6/2012	Umeno	
2012/0252231	A1	10/2012	Kall	

OTHER PUBLICATIONS

Apple Inc., MacBook Pro, www.apple.com, available as early as Jan. 14, 2006.
 U.S. Appl. No. 12/891,794 entitled “Cable Connector Assembly With Status Indicator Means” filed Sep. 27, 2010.
 U.S. Appl. No. 29/375,909 entitled “Connector” filed Sep. 29, 2010, as amended Apr. 26, 2013.
 U.S. Appl. No. 29/424,257 entitled “Connector” filed Jun. 8, 2012.
 U.S. Appl. No. 29/424,258 entitled “Adapter” filed Jun. 8, 2012, as amended Jun. 10, 2012.

Office action dated Nov. 7, 2012 in U.S. Appl. No. 29/424,257, entitled “Connector.”

* cited by examiner

Primary Examiner — Daniel Bui
 (74) *Attorney, Agent, or Firm* — SAIDMAN DesignLaw Group

(57) **CLAIM**

The ornamental design for an adapter, as shown and described.

DESCRIPTION

FIG. 1 is a rear perspective view of an adapter showing our new design;
 FIG. 2 is a front perspective view thereof;
 FIG. 3 is a front view thereof;
 FIG. 4 is a rear view thereof;
 FIG. 5 is a right side view thereof, the left side view being a mirror image thereof;
 FIG. 6 is a top view thereof;
 FIG. 7 is a bottom view thereof;
 FIG. 8 is a rear perspective view of a second embodiment thereof;
 FIG. 9 is a front perspective view thereof;
 FIG. 10 is a front view thereof;
 FIG. 11 is a rear view thereof;
 FIG. 12 is a right side view thereof, the left side view being a mirror image thereof;
 FIG. 13 is a top view thereof; and,
 FIG. 14 is a bottom view thereof.
 The broken lines illustrate environmental structure and form no part of the claimed design.
 The drawings include surface shading that represents contour and not surface ornamentation.
 The gray shading on a portion of the adapter in FIGS. 8-14 represents a metallic surface.

1 Claim, 4 Drawing Sheets

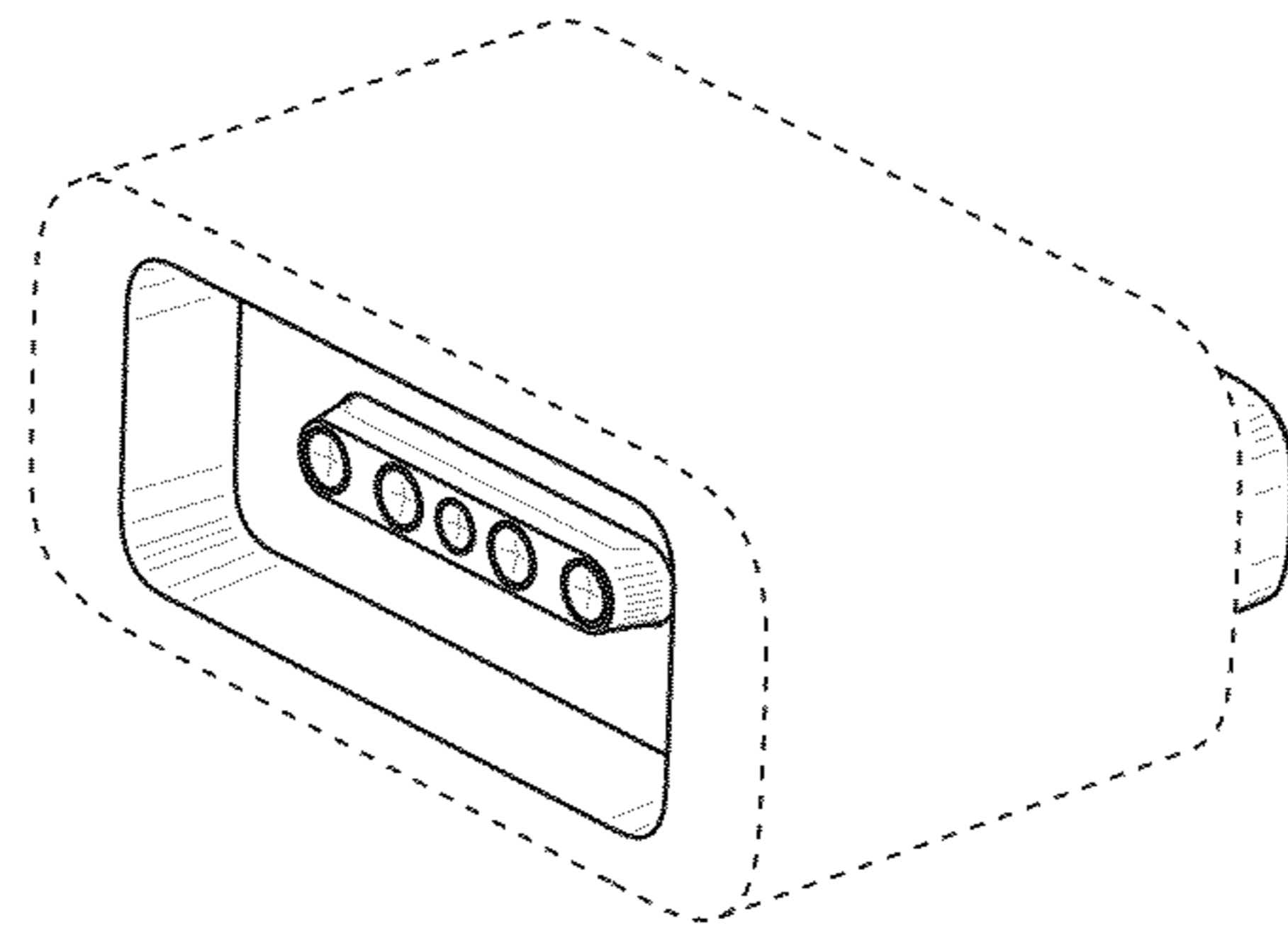


Fig. 1

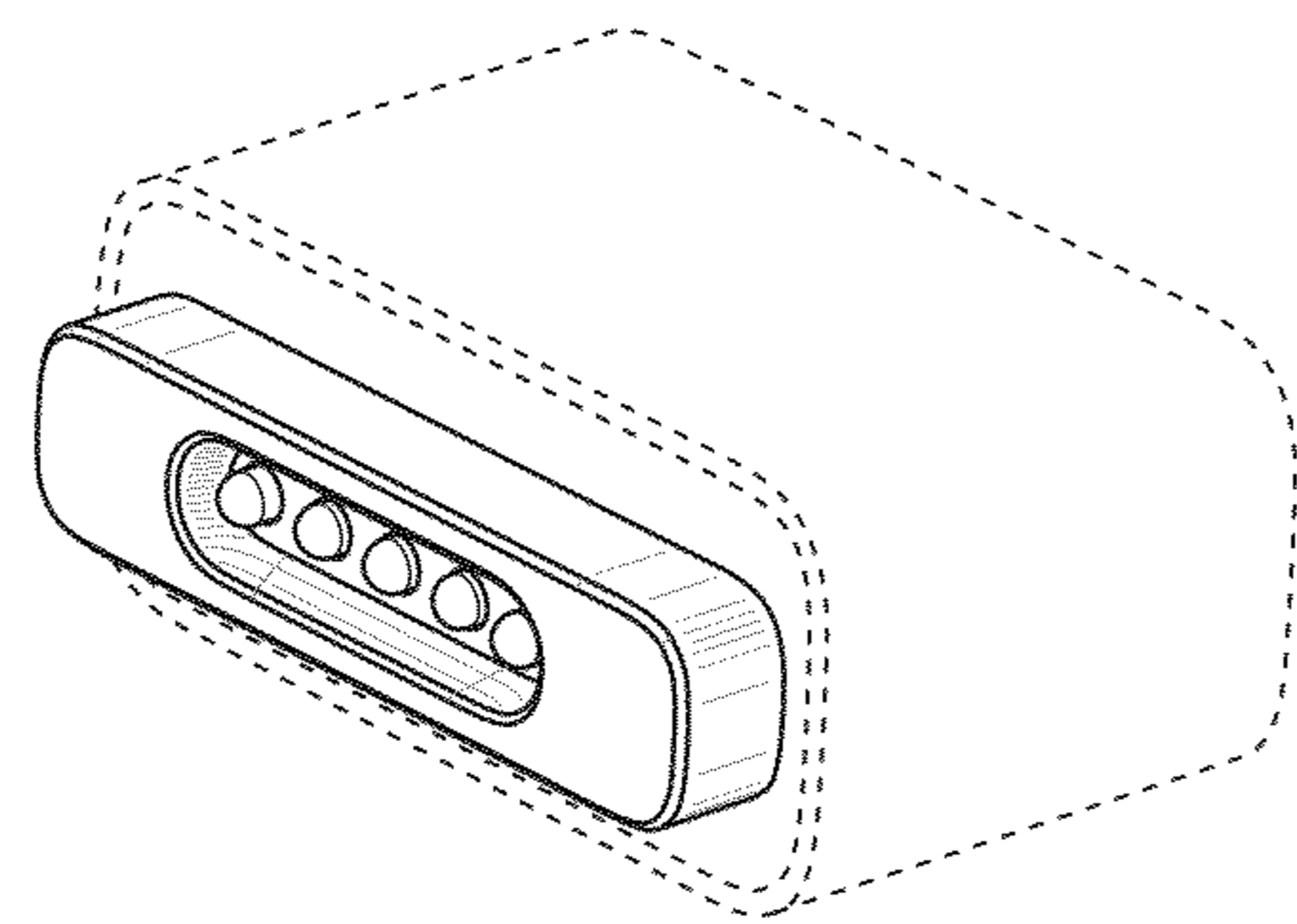


Fig. 2

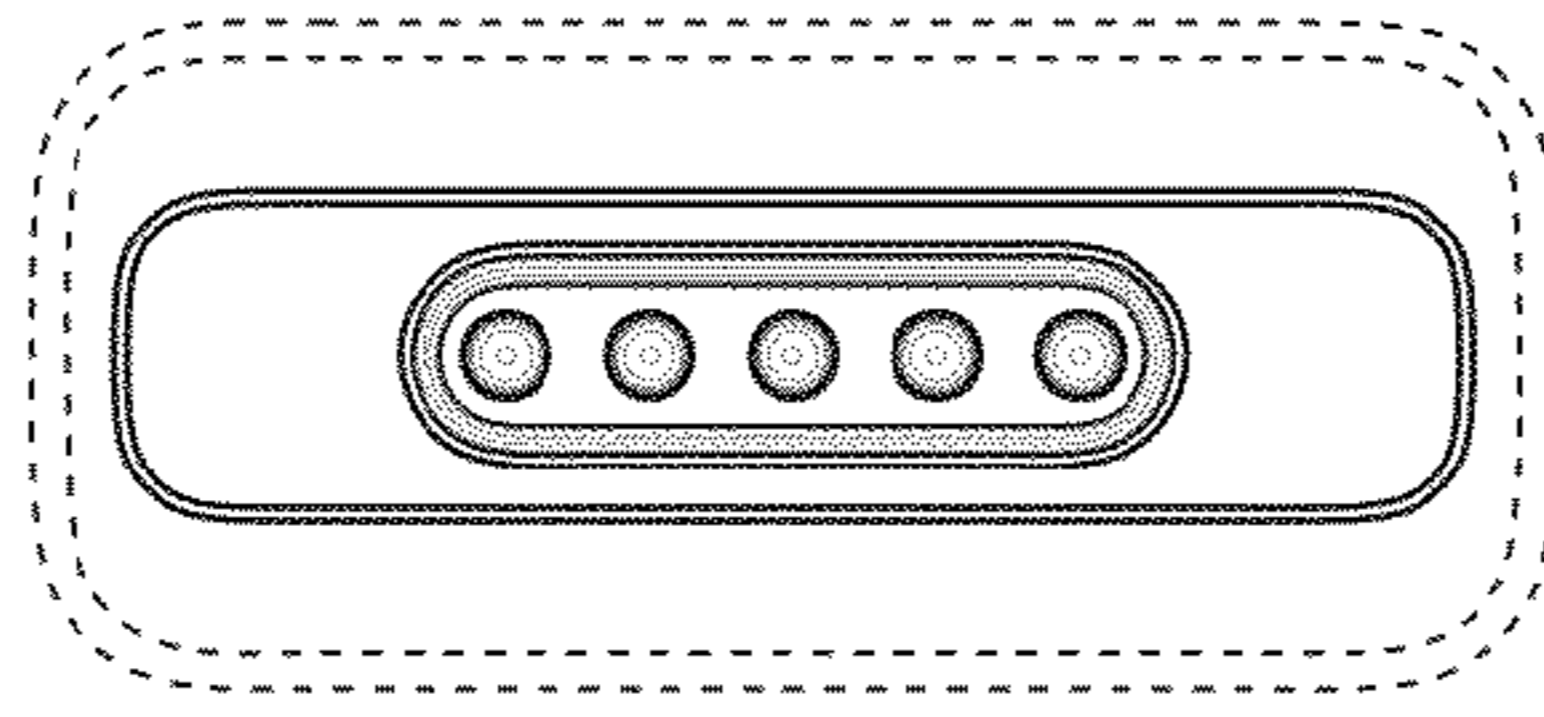


Fig. 3

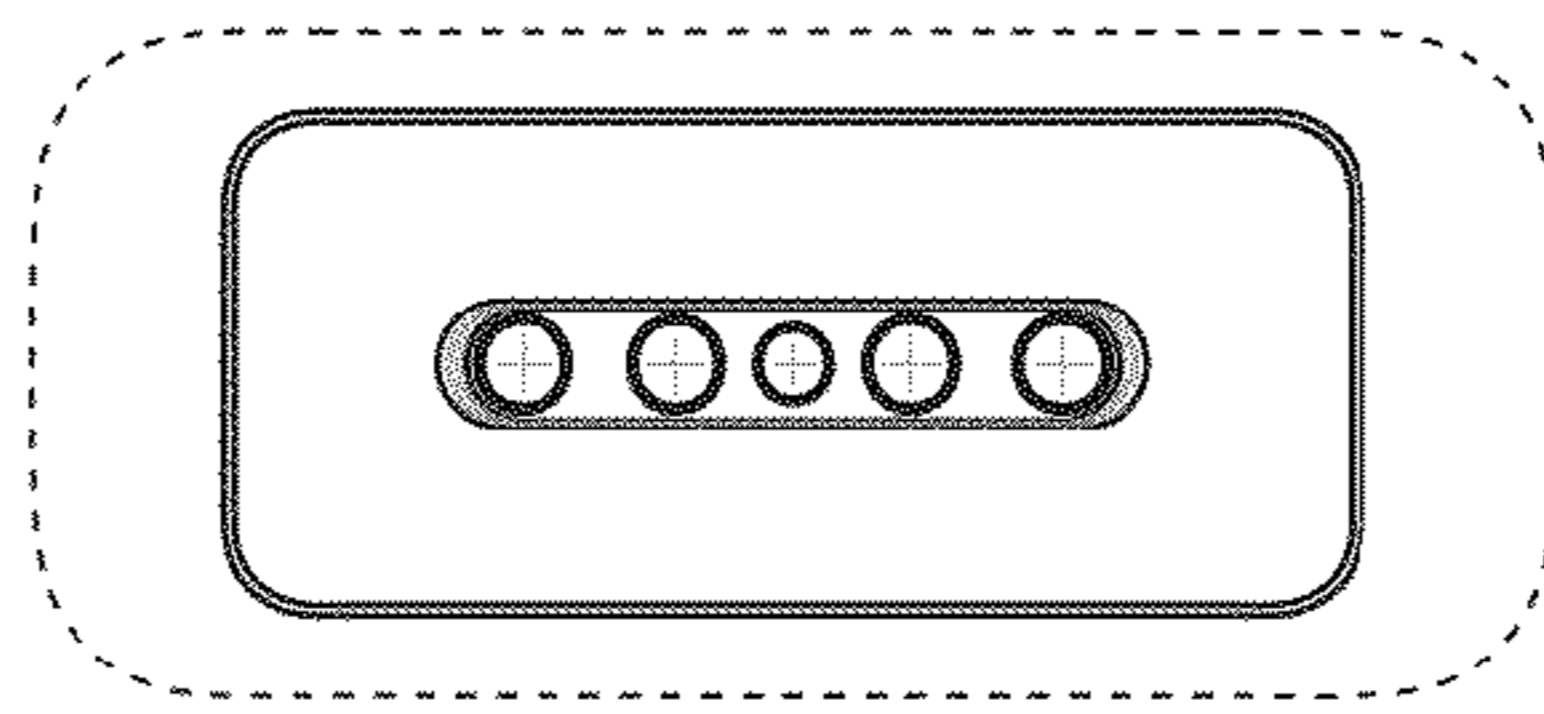


Fig. 4

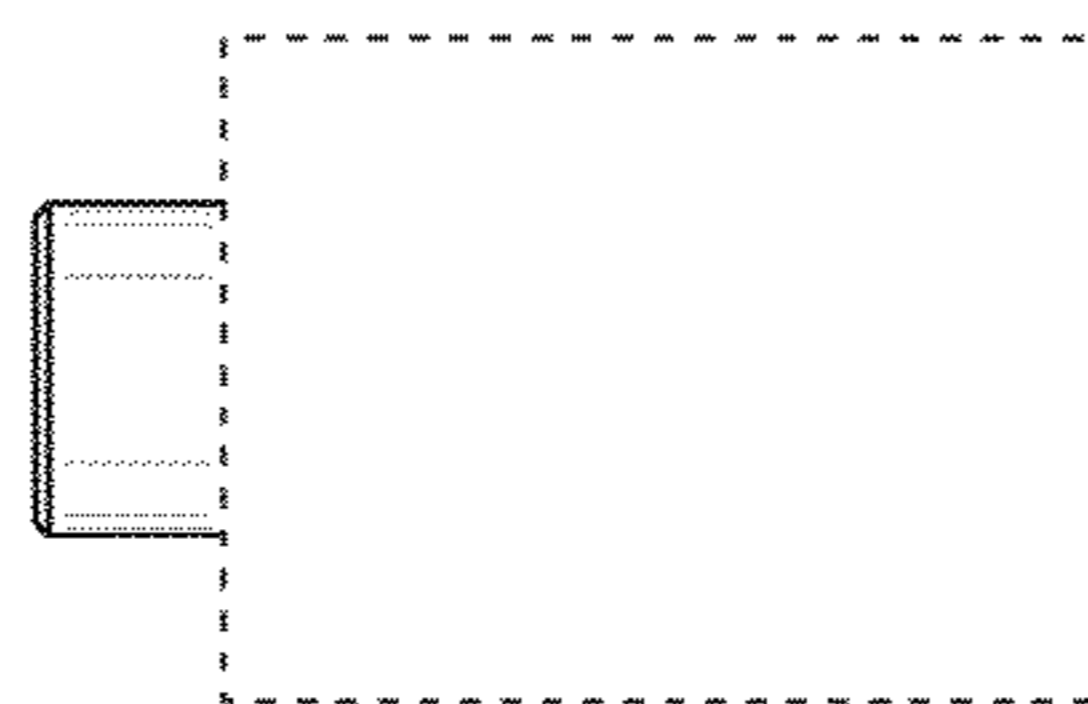


Fig. 5

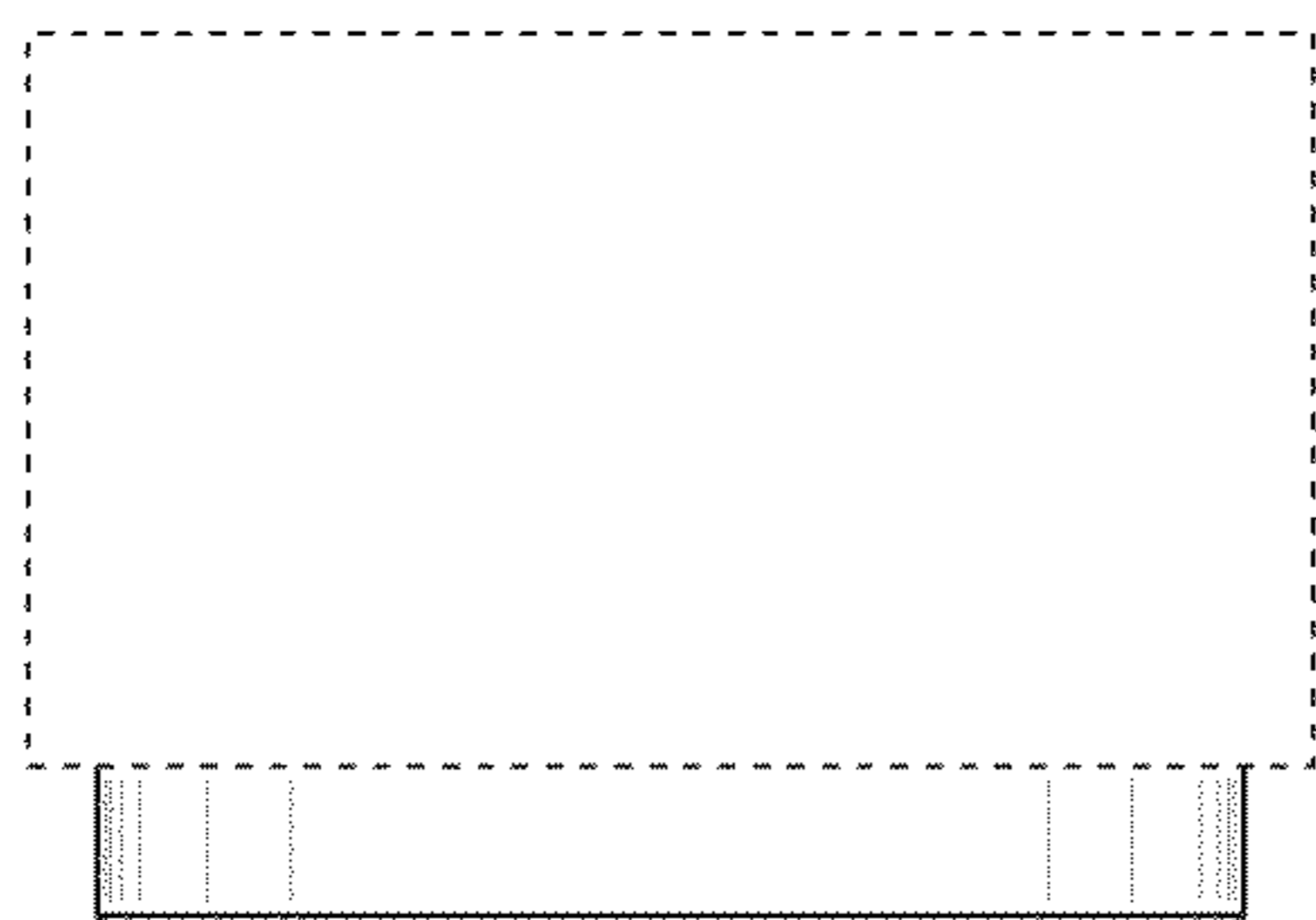


Fig. 6

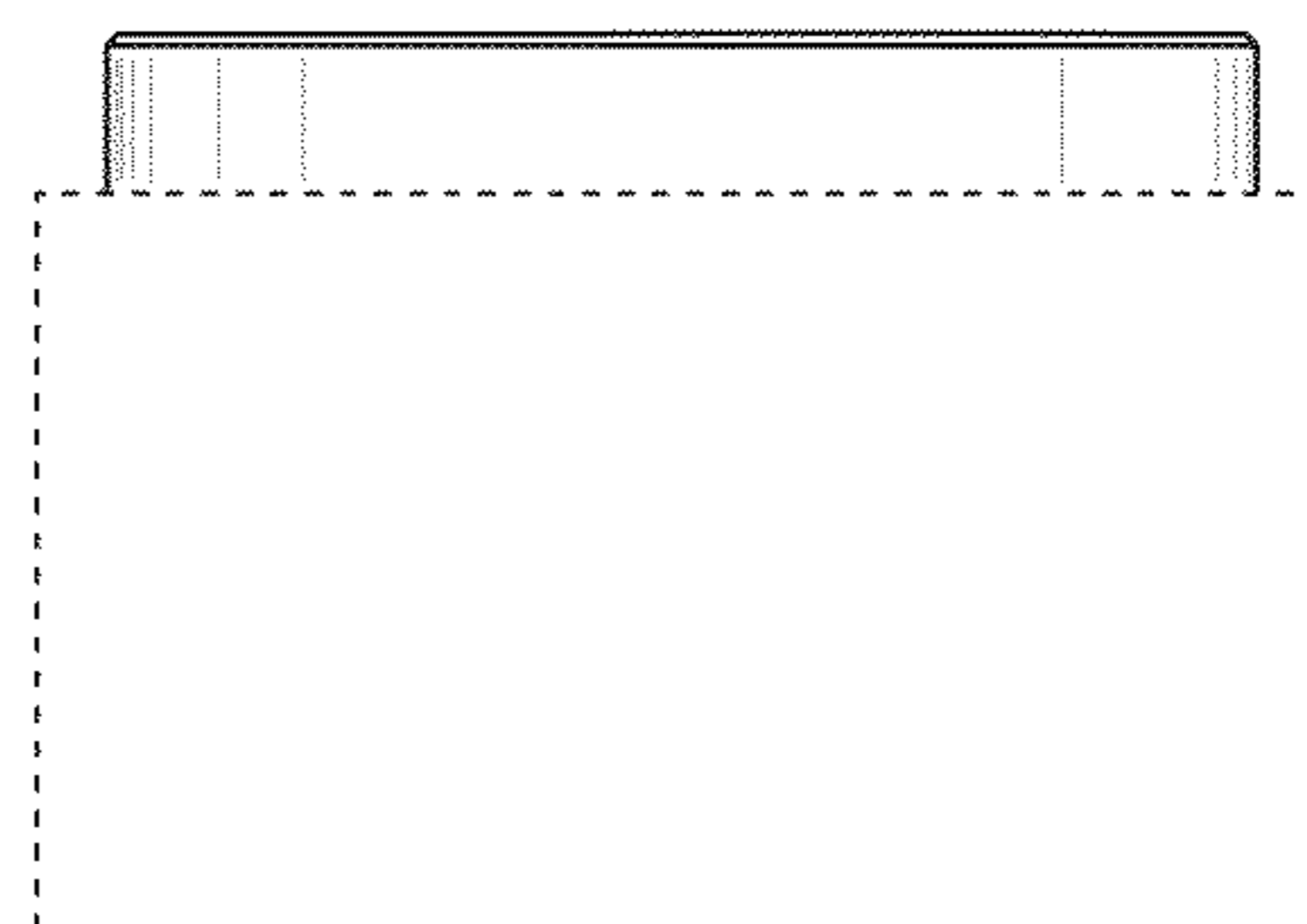


Fig. 7

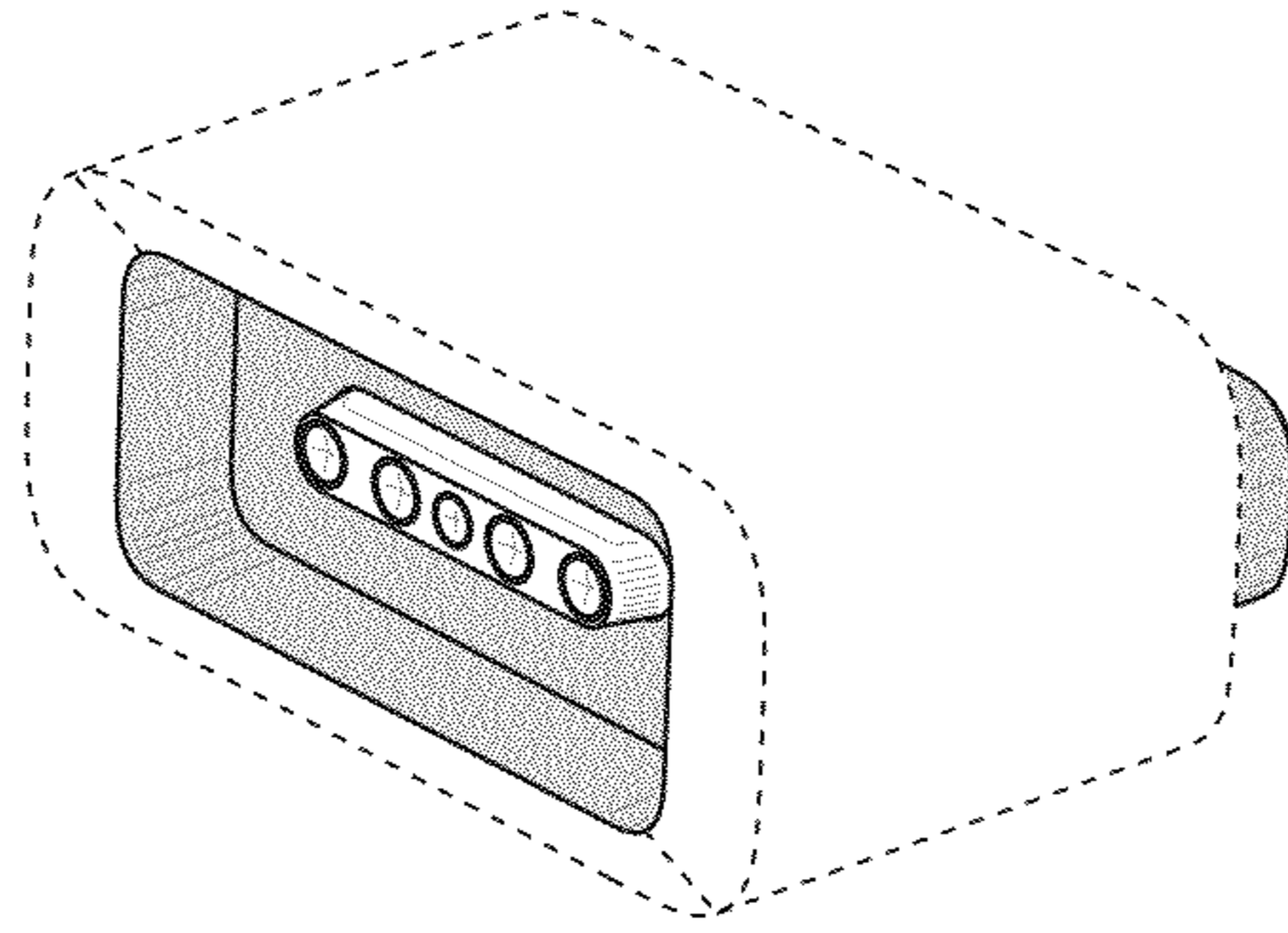


Fig. 8

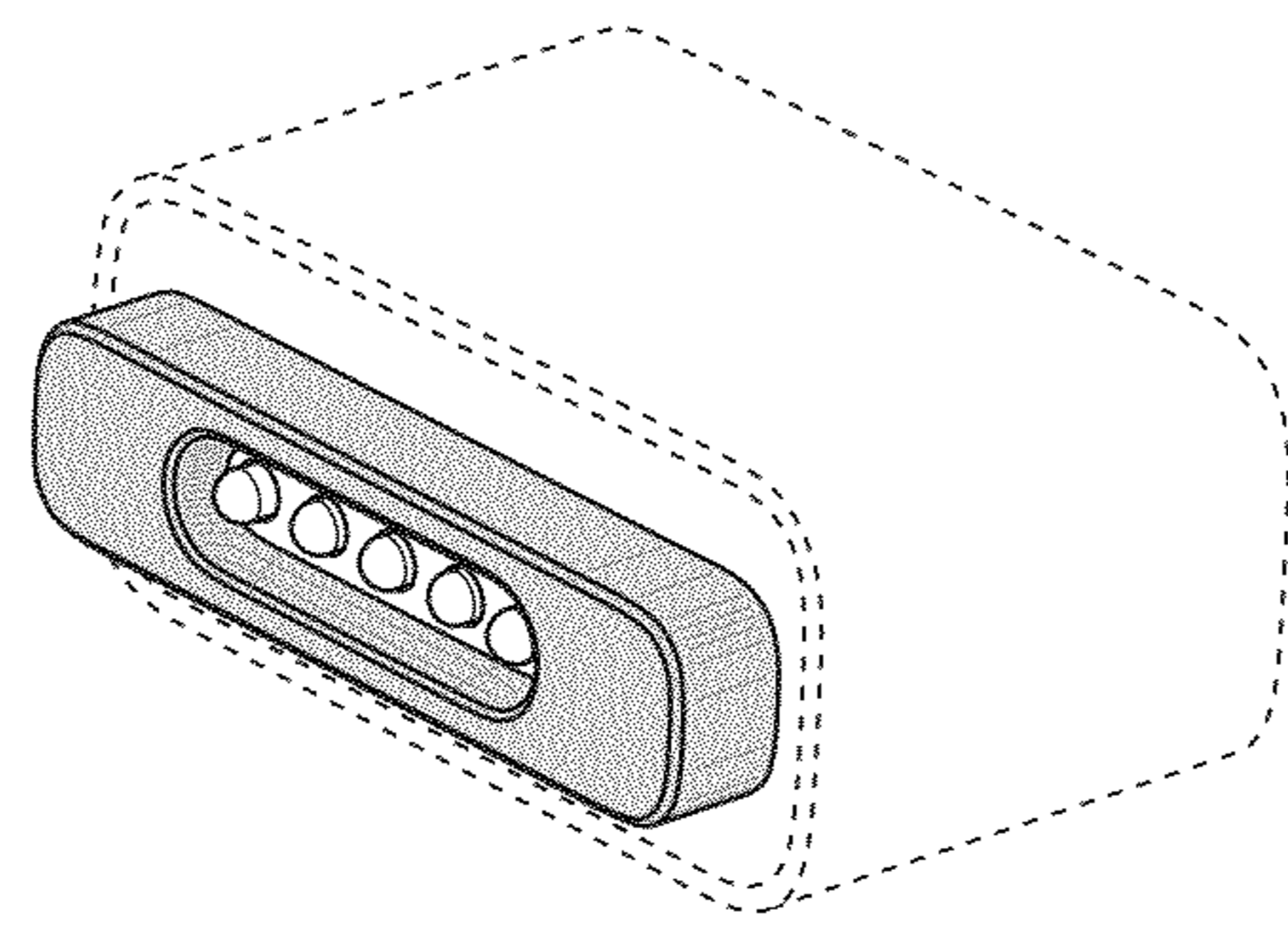


Fig. 9

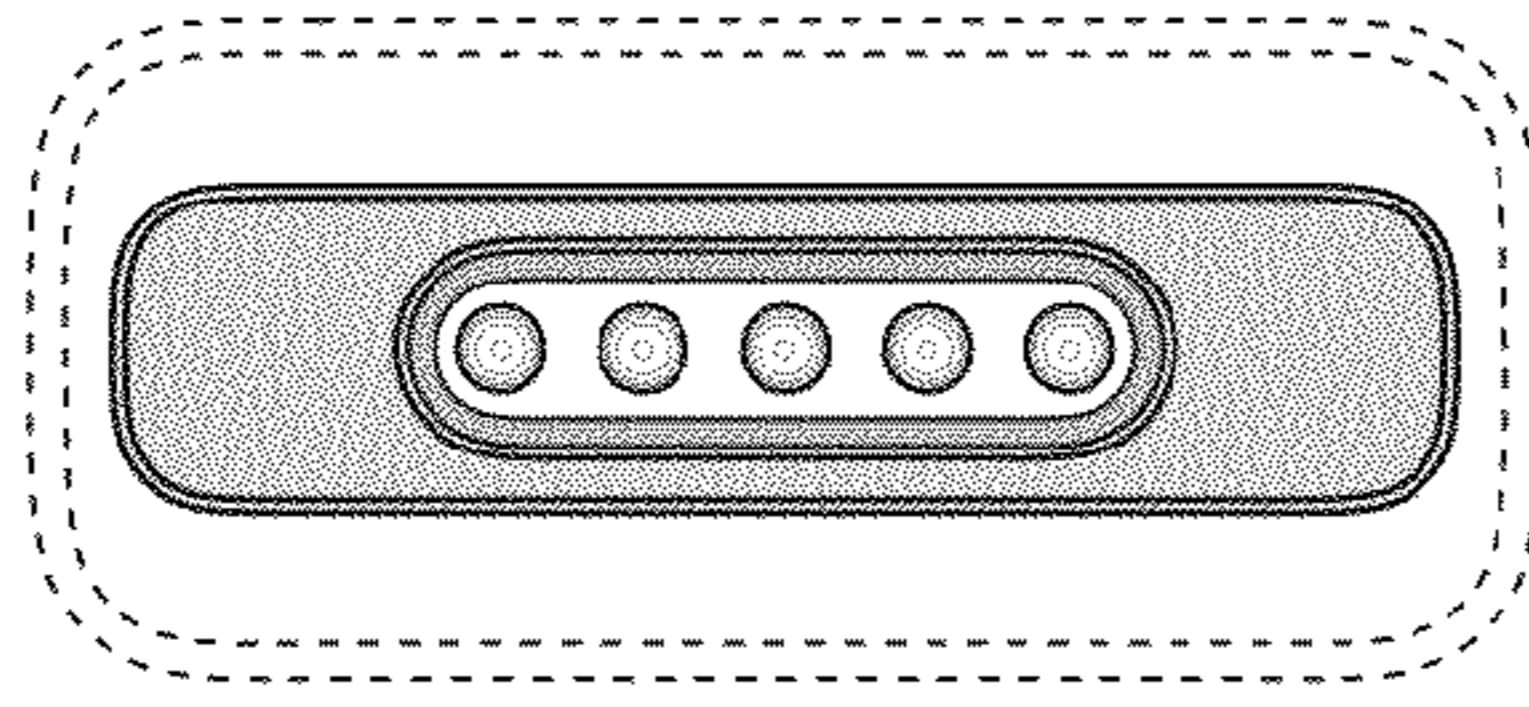


Fig. 10

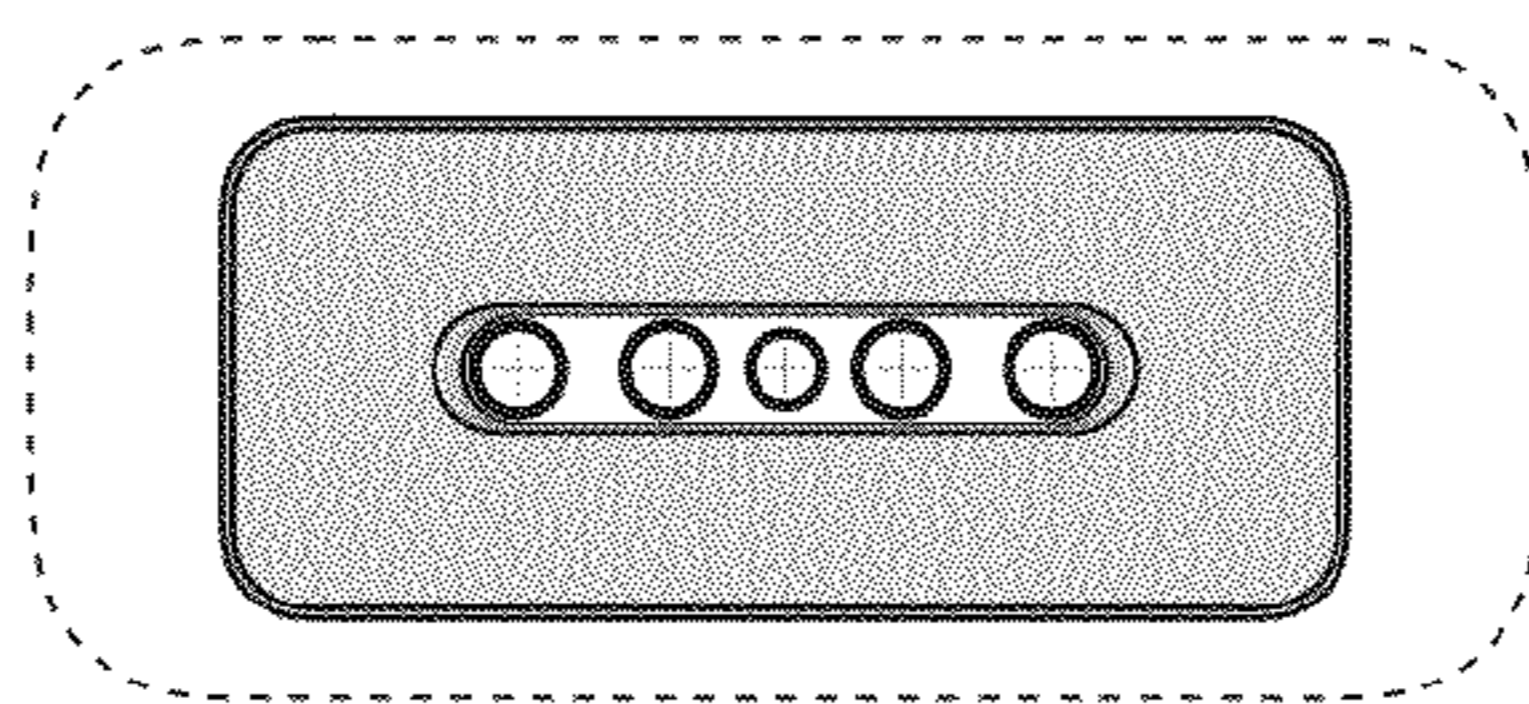


Fig. 11

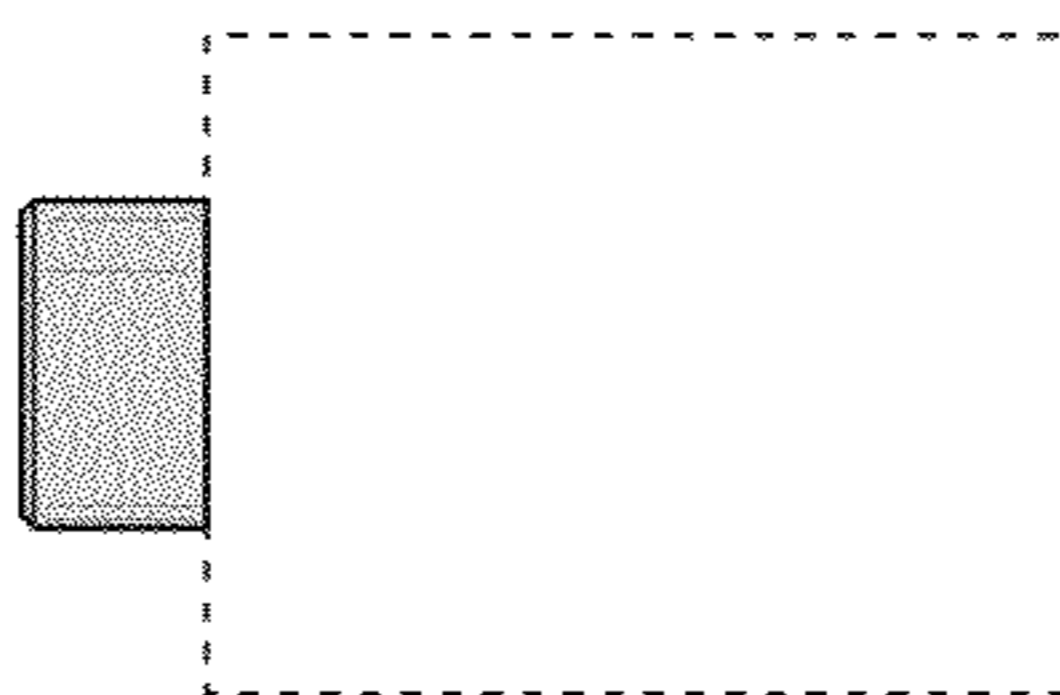


Fig. 12

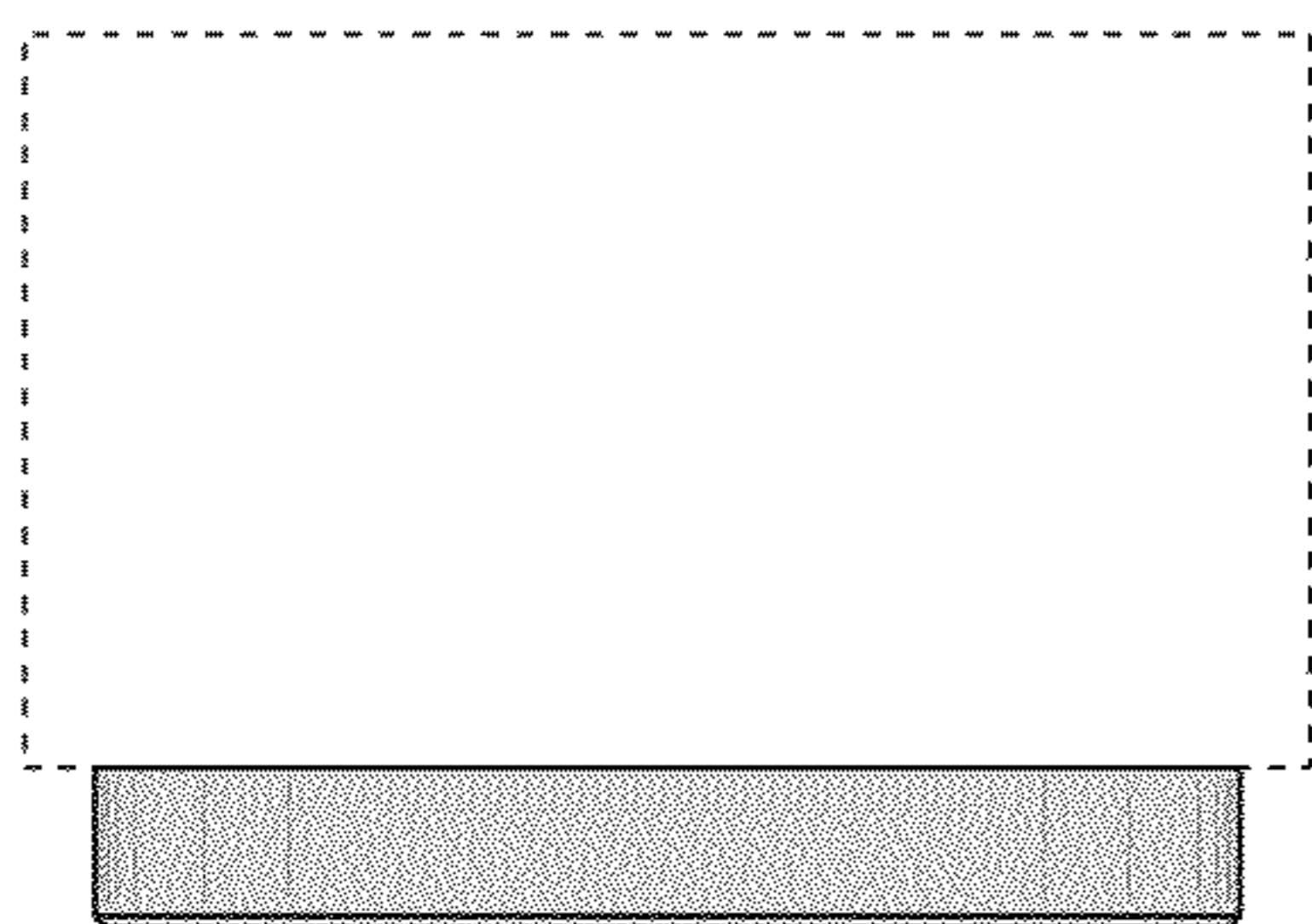


Fig. 13

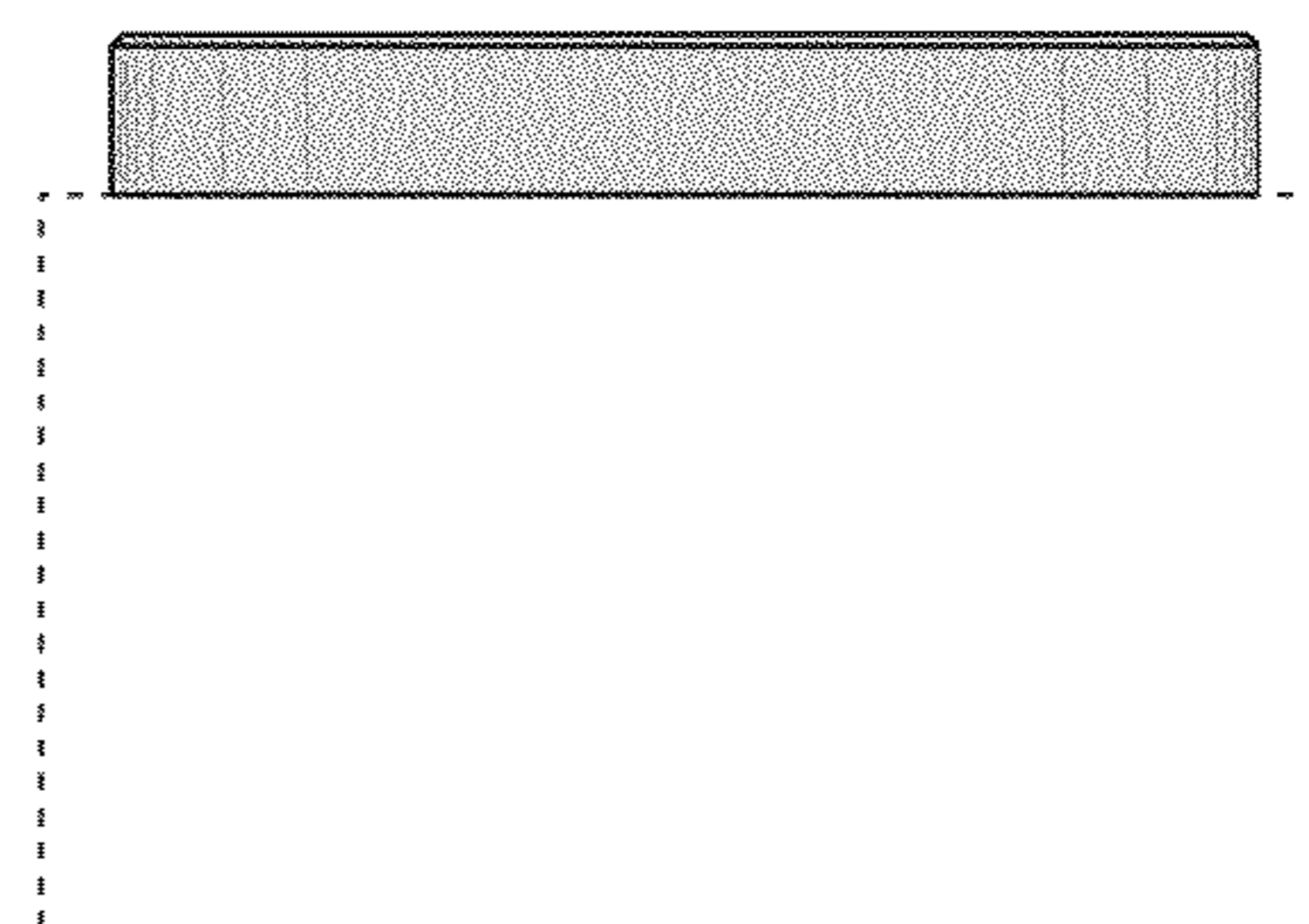


Fig. 14