



US00D703615S

(12) **United States Design Patent**
Takenaga et al.

(10) **Patent No.:** **US D703,615 S**

(45) **Date of Patent:** **** Apr. 29, 2014**

(54) **ELECTRICAL CONNECTOR**

(56) **References Cited**

(71) Applicant: **Japan Aviation Electronics Industry, Limited**, Tokyo (JP)

U.S. PATENT DOCUMENTS

(72) Inventors: **Yuichi Takenaga**, Tokyo (JP);
Masamichi Sasaki, Tokyo (JP)

D522,969 S *	6/2006	Nishio et al.	D13/147
D578,071 S *	10/2008	Shen et al.	D13/147
D583,329 S *	12/2008	Chiang et al.	D13/147
D601,506 S *	10/2009	Fukazawa et al.	D13/147
D616,828 S *	6/2010	Tung et al.	D13/147
D650,754 S *	12/2011	Bodmann et al.	D13/147
D661,656 S *	6/2012	Bodmann et al.	D13/147
D689,439 S *	9/2013	Yu et al.	D13/147

(73) Assignee: **Japan Aviation Electronics Industry, Limited**, Tokyo (JP)

* cited by examiner

(**) Term: **14 Years**

Primary Examiner — Daniel Bui

(21) Appl. No.: **29/447,995**

(74) *Attorney, Agent, or Firm* — Westerman, Hattori, Daniels & Adrian, LLP

(22) Filed: **Mar. 8, 2013**

(57) **CLAIM**

The ornamental design for an electrical connector, as shown and described.

(30) **Foreign Application Priority Data**

DESCRIPTION

Sep. 14, 2012 (JP) 2012-022345

Sep. 14, 2012 (JP) 2012-022346

(51) **LOC (10) Cl.** **13-03**

(52) **U.S. Cl.**

USPC **D13/147**

(58) **Field of Classification Search**

USPC D13/147, 154, 184, 199; 439/79, 108, 439/350, 353, 357, 378, 476.1, 489, 587, 439/594, 595, 598, 607.01, 607.04, 607.05, 439/607.17, 607.25, 607.34, 607.41, 439/607.53, 656, 660, 668, 680, 711, 745, 439/752

FIG. 1 is a front elevation view of an electrical connector showing our new design;

FIG. 2 is a rear elevation view thereof;

FIG. 3 is a right side elevation view thereof;

FIG. 4 is a left side elevation view thereof;

FIG. 5 is a top plan view thereof;

FIG. 6 is a bottom plan view thereof;

FIG. 7 is a right front perspective view showing the top thereof;

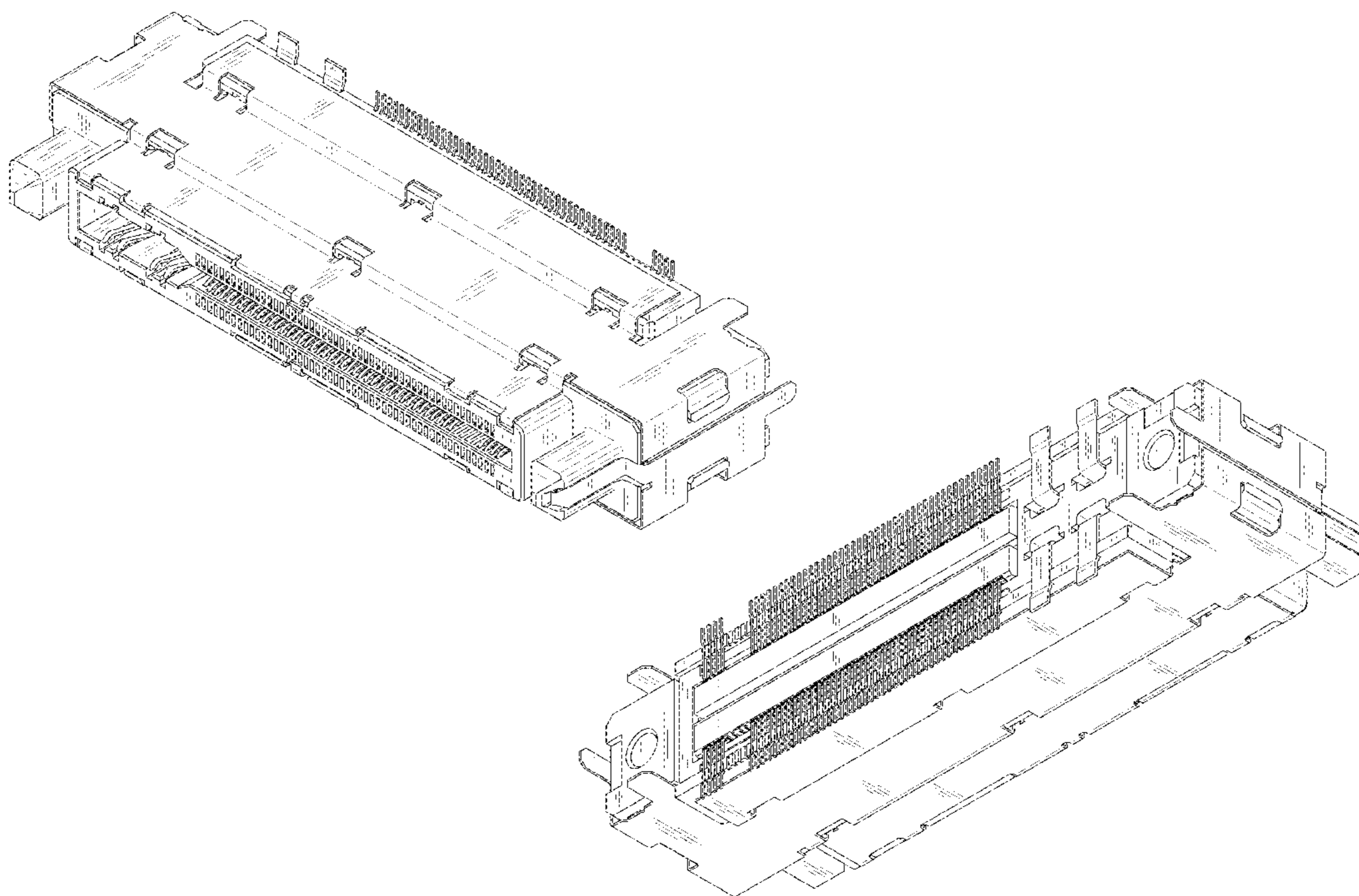
FIG. 8 is a left rear perspective view showing the bottom thereof;

FIG. 9 is a right front perspective view showing the bottom thereof; and,

FIG. 10 is a left rear perspective view showing the top thereof.

See application file for complete search history.

1 Claim, 10 Drawing Sheets



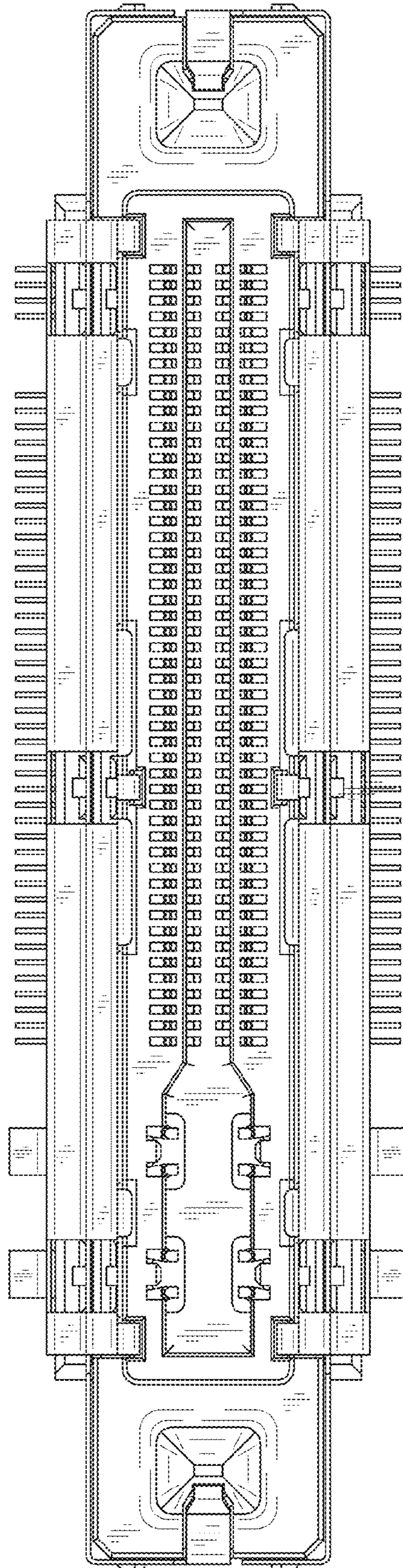


FIG.1

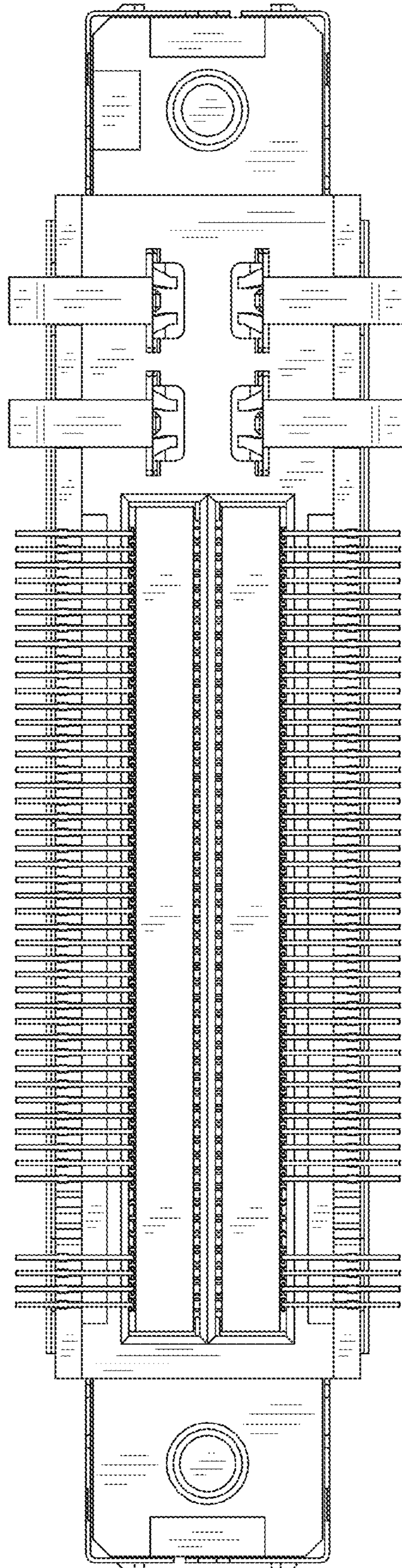


FIG.2

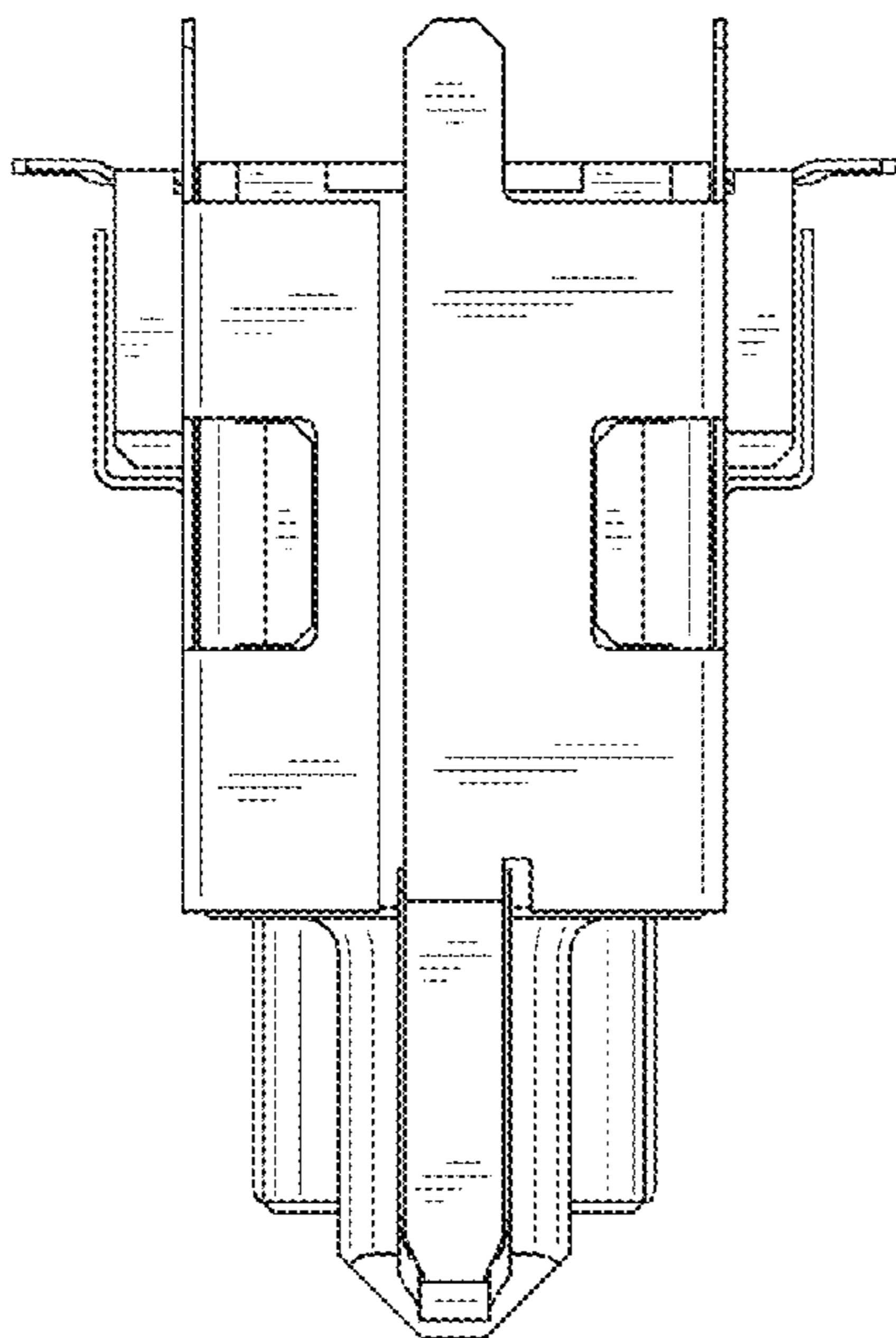


FIG.3

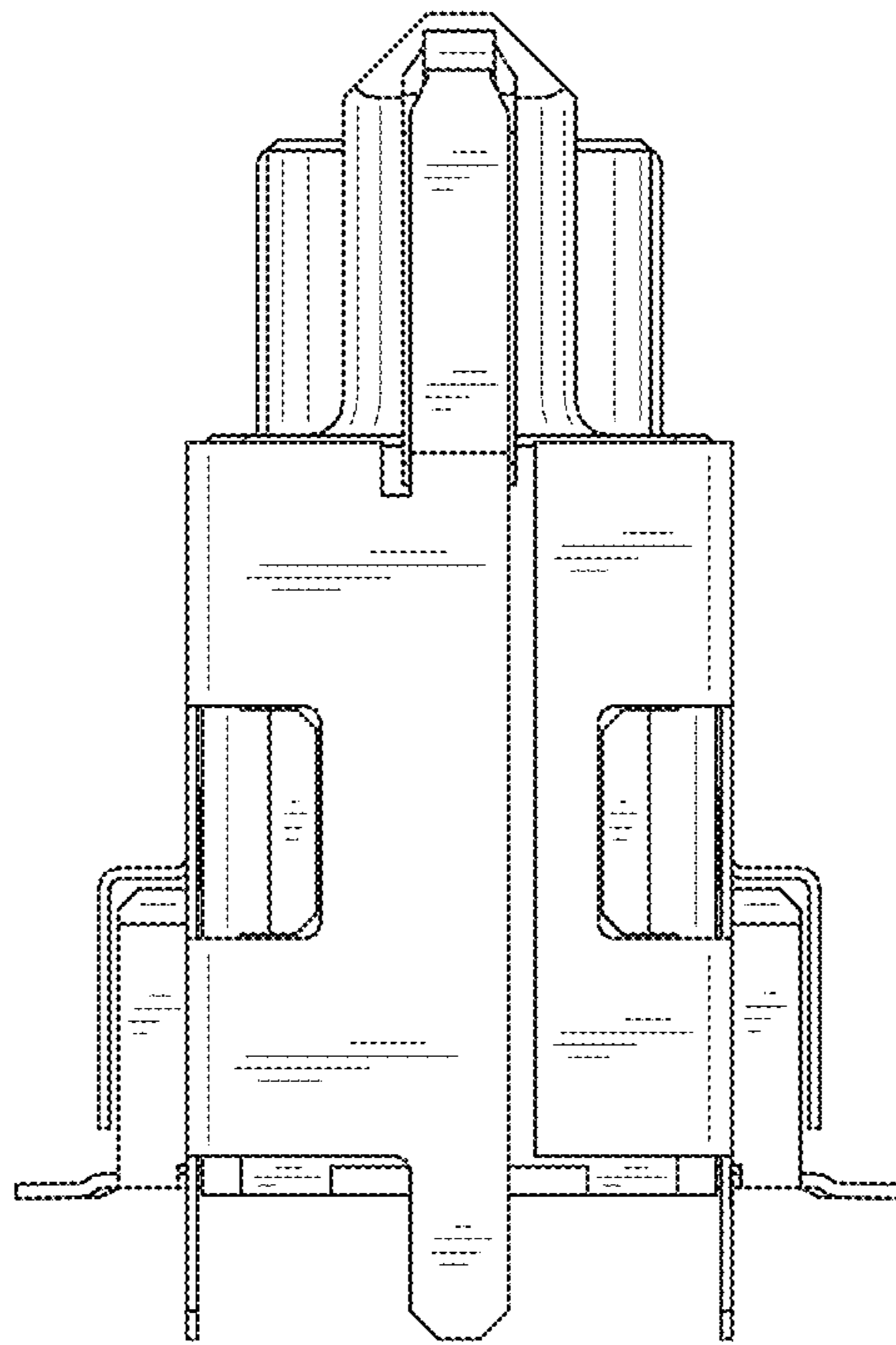


FIG.4

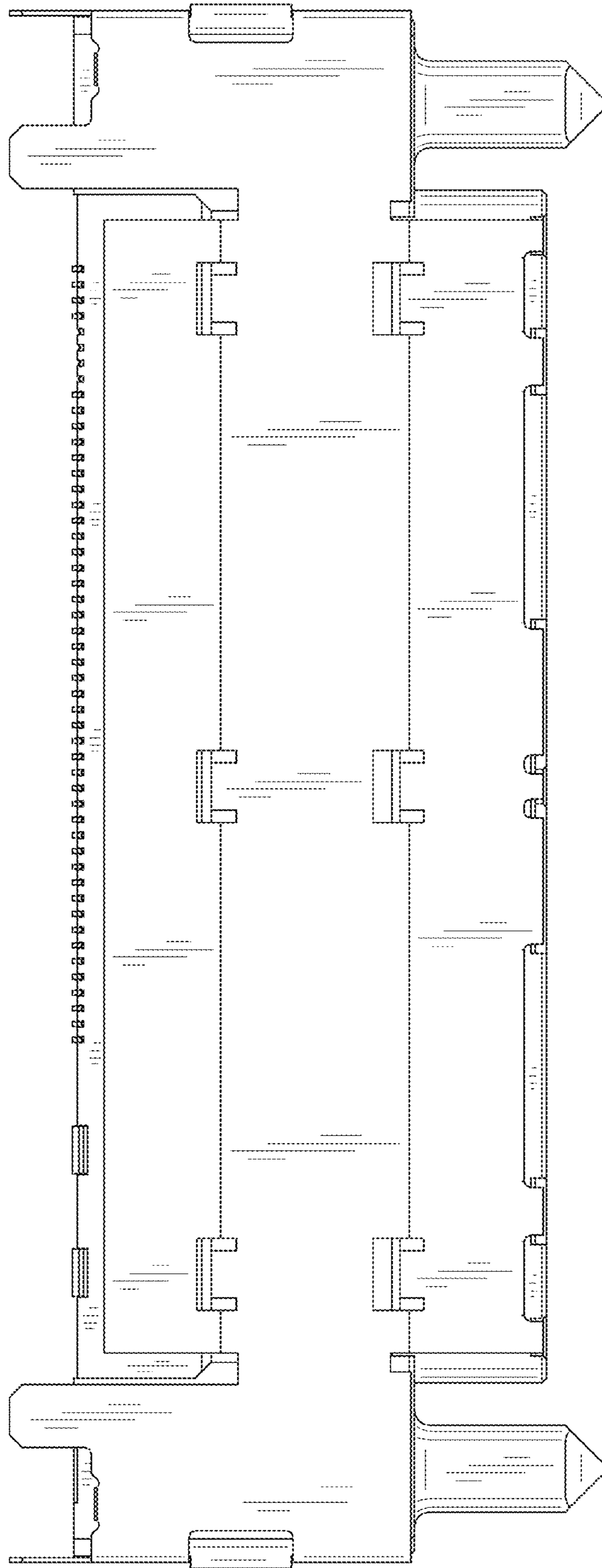


FIG. 5

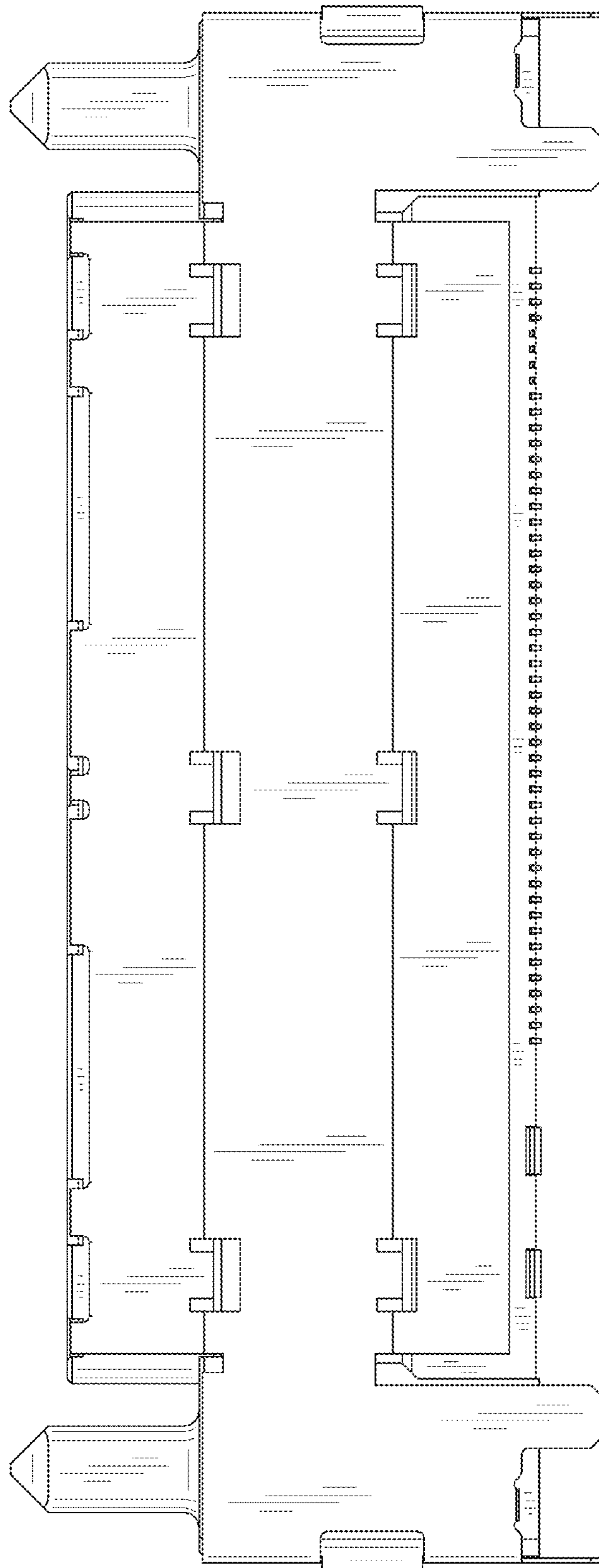


FIG.6

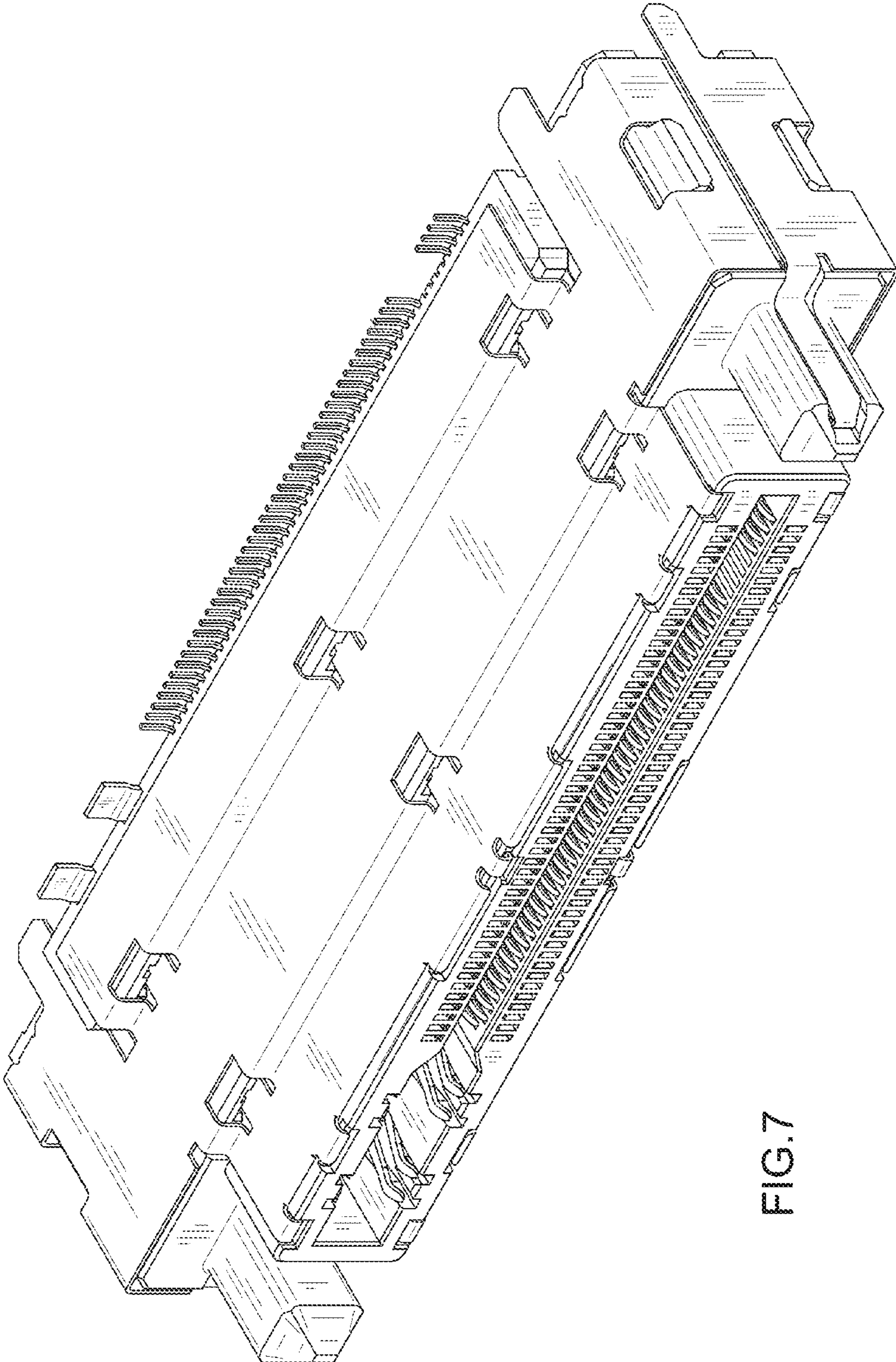


FIG.7

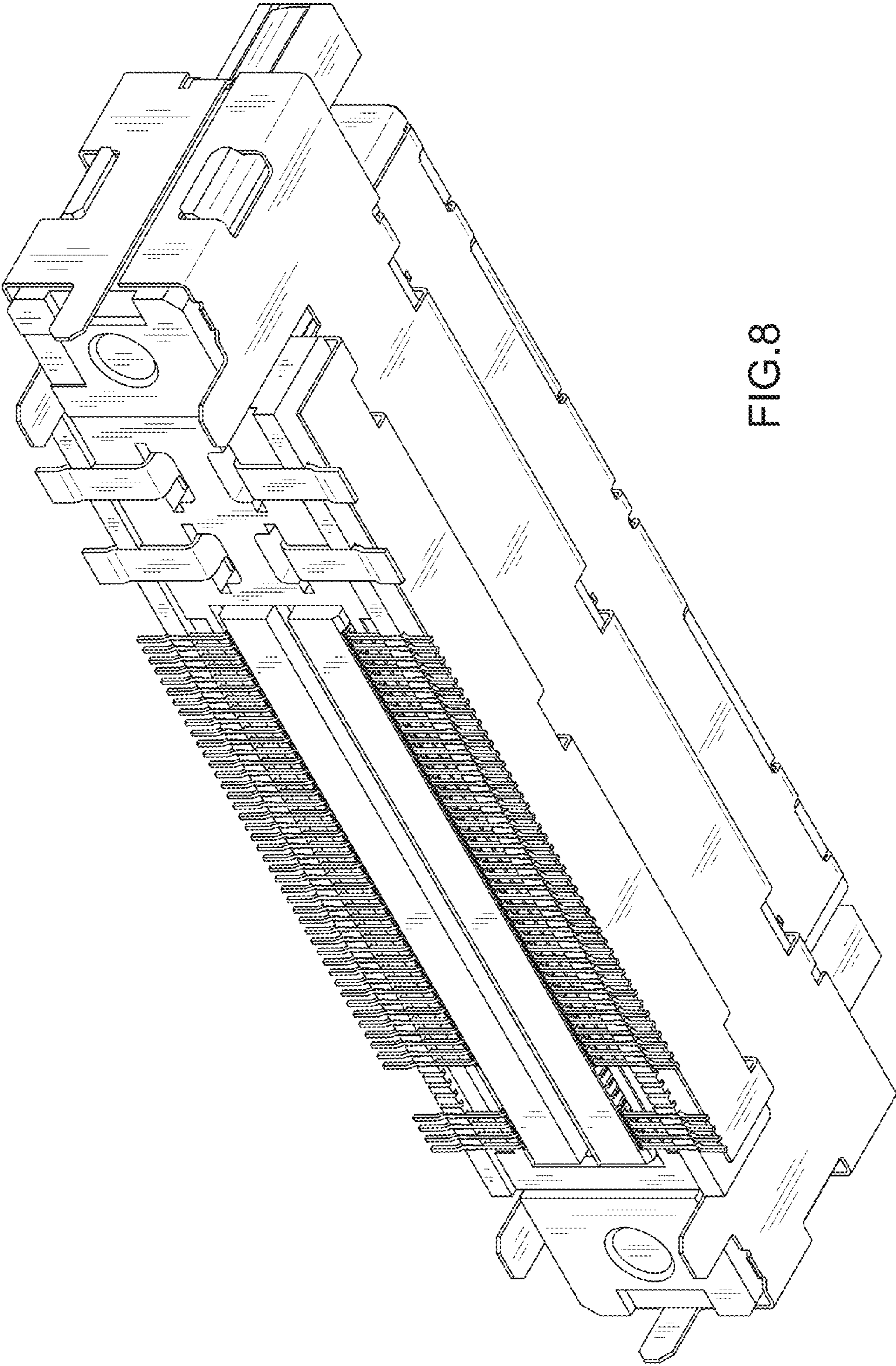


FIG.8

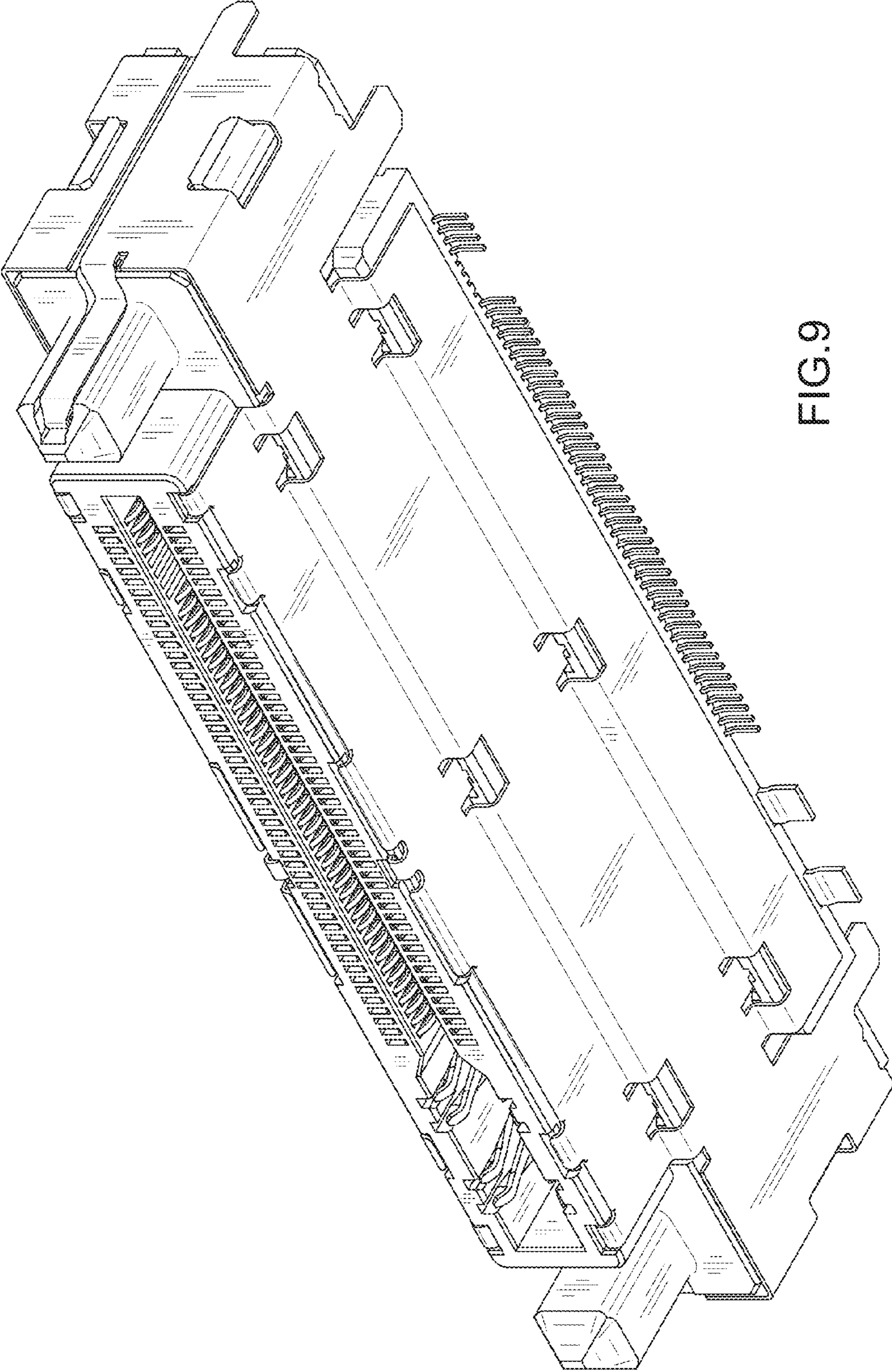


FIG. 9

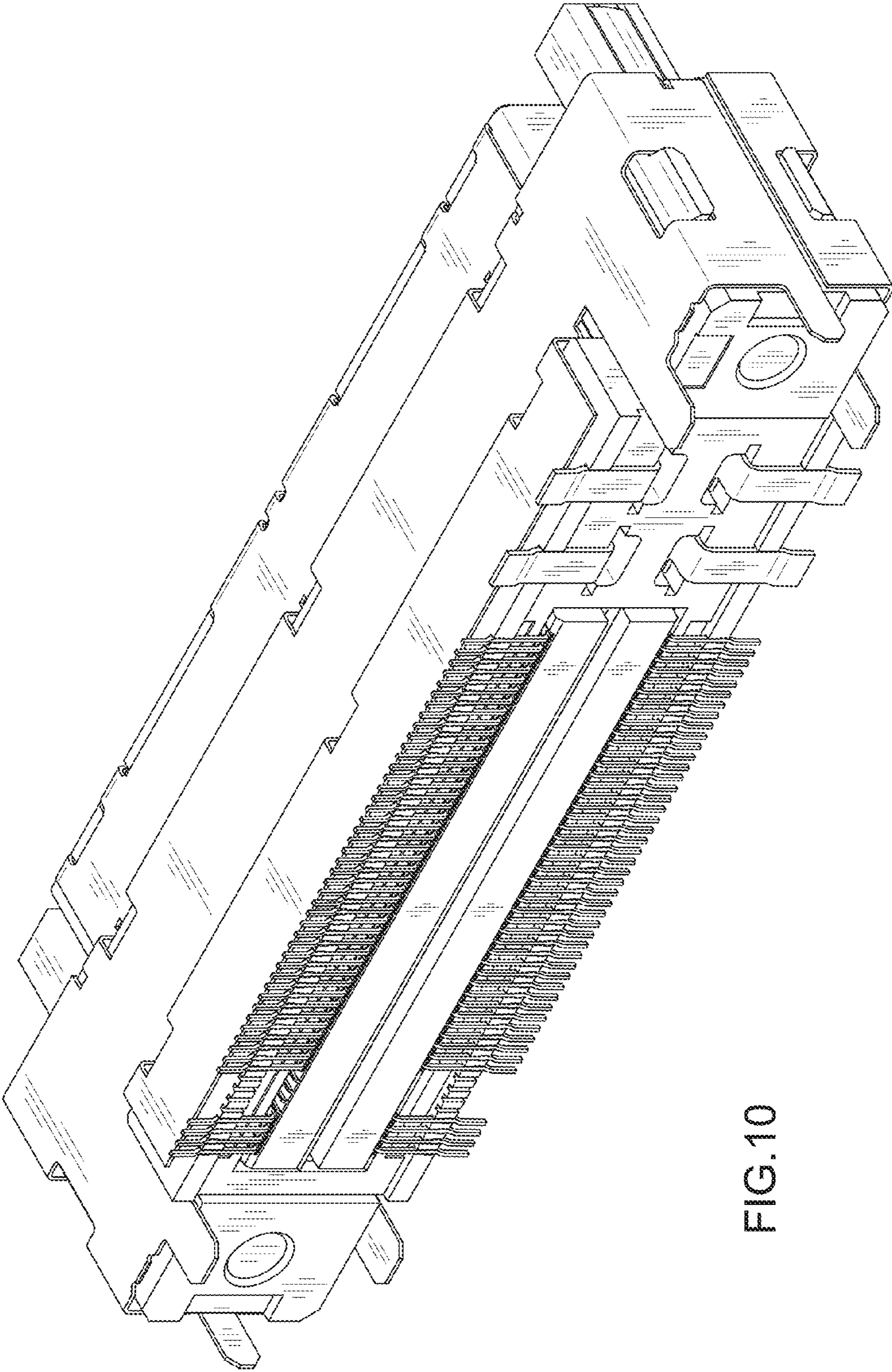


FIG.10