



US00D703614S

(12) **United States Design Patent**
Lee et al.

(10) **Patent No.:** **US D703,614 S**
(45) **Date of Patent:** **** Apr. 29, 2014**

(54) **PARALLEL ACTIVE OPTICAL CABLE**

(56) **References Cited**

(71) Applicant: **Finisar Corporation**, Sunnyvale, CA
(US)

U.S. PATENT DOCUMENTS

D446,499 S 8/2001 Andre et al.
D454,110 S 3/2002 Andre et al.

(72) Inventors: **David Lee**, San Jose, CA (US); **Daniel Kossowski**, Santa Clara, CA (US); **Frank J. Flens**, Campbell, CA (US); **William H. Wang**, Pleasanton, CA (US); **Michael Joseph McReynolds, Jr.**, San Mateo, CA (US)

(Continued)

FOREIGN PATENT DOCUMENTS

JP D1121650 7/2001

Primary Examiner — Daniel Bui
(74) *Attorney, Agent, or Firm* — Maschoff Brennan

(73) Assignee: **Finisar Corporation**, Sunnyvale, CA
(US)

(57) **CLAIM**
The ornamental design for a parallel active optical cable, as shown and described.

(**) Term: **14 Years**

DESCRIPTION

(21) Appl. No.: **29/438,785**

FIG. 1 is a top perspective view of a first embodiment of a parallel active optical cable, showing our new design;
FIG. 2 is a top view thereof;
FIG. 3 is a left side view thereof;
FIG. 4 is a right side view thereof;
FIG. 5 is a front view thereof;
FIG. 6 is a rear view thereof;
FIG. 7 is a bottom view thereof;
FIG. 8 is a top perspective view of a second embodiment of a parallel active optical cable, showing our new design;
FIG. 9 is a top view thereof;
FIG. 10 is a left side view thereof;
FIG. 11 is a right side view thereof;
FIG. 12 is a front view thereof;
FIG. 13 is a rear view thereof;
FIG. 14 is a bottom view thereof;
FIG. 15 is a top perspective view of a third embodiment of a parallel active optical cable, showing our new design;
FIG. 16 is a top view thereof;
FIG. 17 is a left side view thereof;
FIG. 18 is a right side view thereof;
FIG. 19 is a front view thereof;
FIG. 20 is a rear view thereof; and,
FIG. 21 is a bottom view thereof.

(22) Filed: **Dec. 3, 2012**

(51) **LOC (10) Cl.** **13-03**

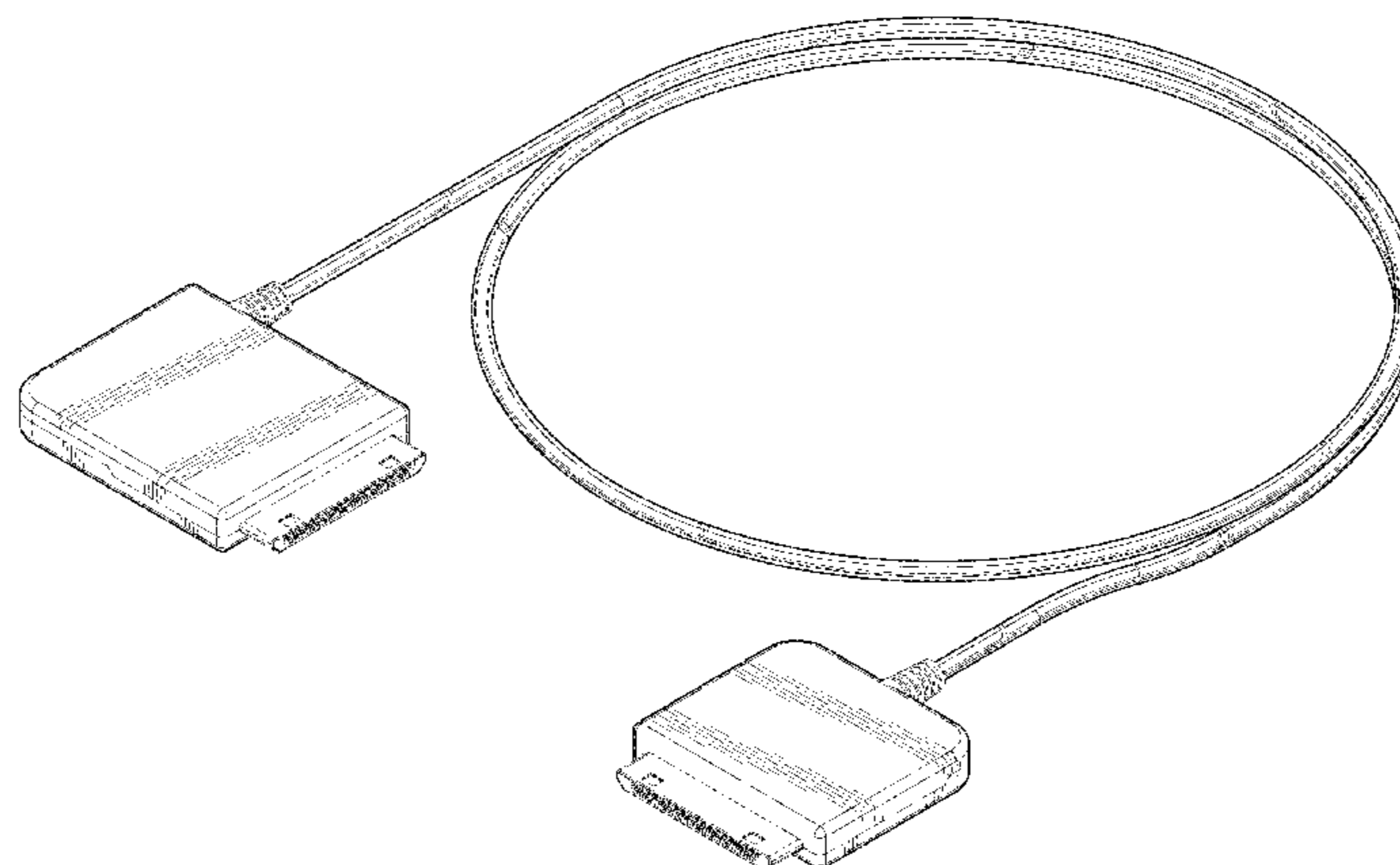
(52) **U.S. Cl.**
USPC **D13/147**

(58) **Field of Classification Search**
USPC D13/133, 146, 147, 153, 154, 156, 157, D13/184, 199; D14/432, 433, 435, 435.1, D14/438; 345/156; 361/58, 814; 439/38-40, 439/66, 74, 77, 79, 129-130, 135, 146, 439/149-150, 176-177, 180, 188, 217-218, 439/225, 246, 252, 278-279, 290-291, 329, 439/344-346, 350-353, 357-358, 374, 378, 439/381, 476.1, 607.01, 607.04, 607.5, 439/607.6, 607.17, 607.21, 607.23, 607.25, 439/607.34, 607.41, 607.53, 623, 660, 668, 439/677, 678, 680, 682, 874, 883, 887, 892, 439/894

The broken line in the figure drawings is included for the purpose of illustrating unclaimed environment and forms no part of the claimed design.

See application file for complete search history.

1 Claim, 15 Drawing Sheets



(56)

References Cited

U.S. PATENT DOCUMENTS

D513,735 S *	1/2006	Nishio et al.	D13/147	D585,835 S *	2/2009	Jaqua et al.	D13/154
D515,545 S	2/2006	Griffin		D587,209 S	2/2009	Tsai et al.	
D531,127 S	10/2006	Zhong et al.		D588,545 S *	3/2009	Andre et al.	D13/154
D534,184 S	12/2006	Leija et al.		7,540,788 B2	6/2009	Murphy et al.	
D534,545 S	1/2007	Leija et al.		D596,621 S	7/2009	Andre et al.	
D548,700 S *	8/2007	Ledbetter et al.	D13/154	D599,740 S *	9/2009	Guccione et al.	D13/147
D576,555 S *	9/2008	Bruseloff	D13/147	D636,337 S	4/2011	Smith et al.	
7,429,197 B2 *	9/2008	Weis et al.	439/680	D682,835 S *	5/2013	Daniel	D14/433
				D683,703 S *	6/2013	Akana et al.	D13/147
				D691,095 S *	10/2013	Izen et al.	D13/147

* cited by examiner

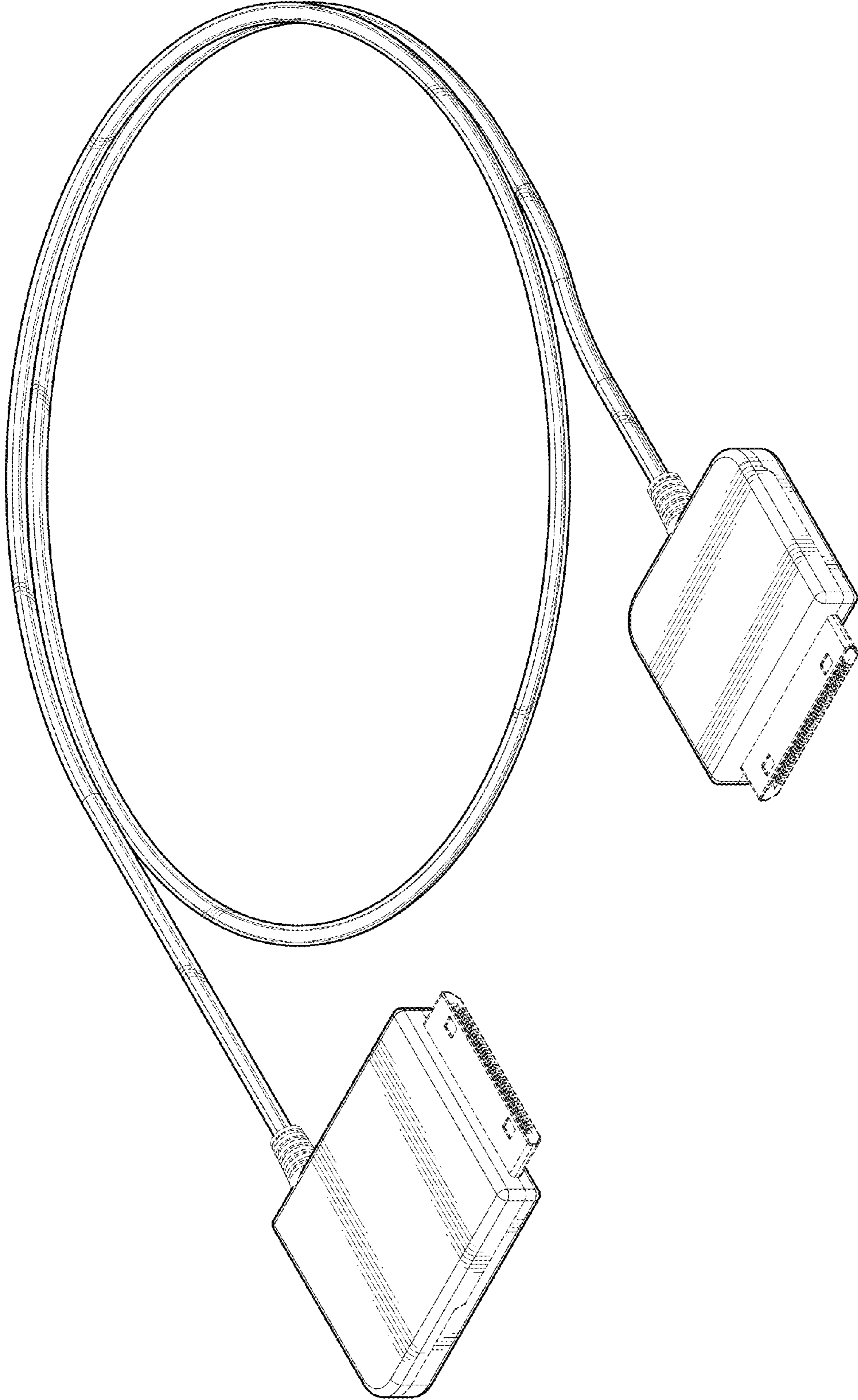


Fig. 1

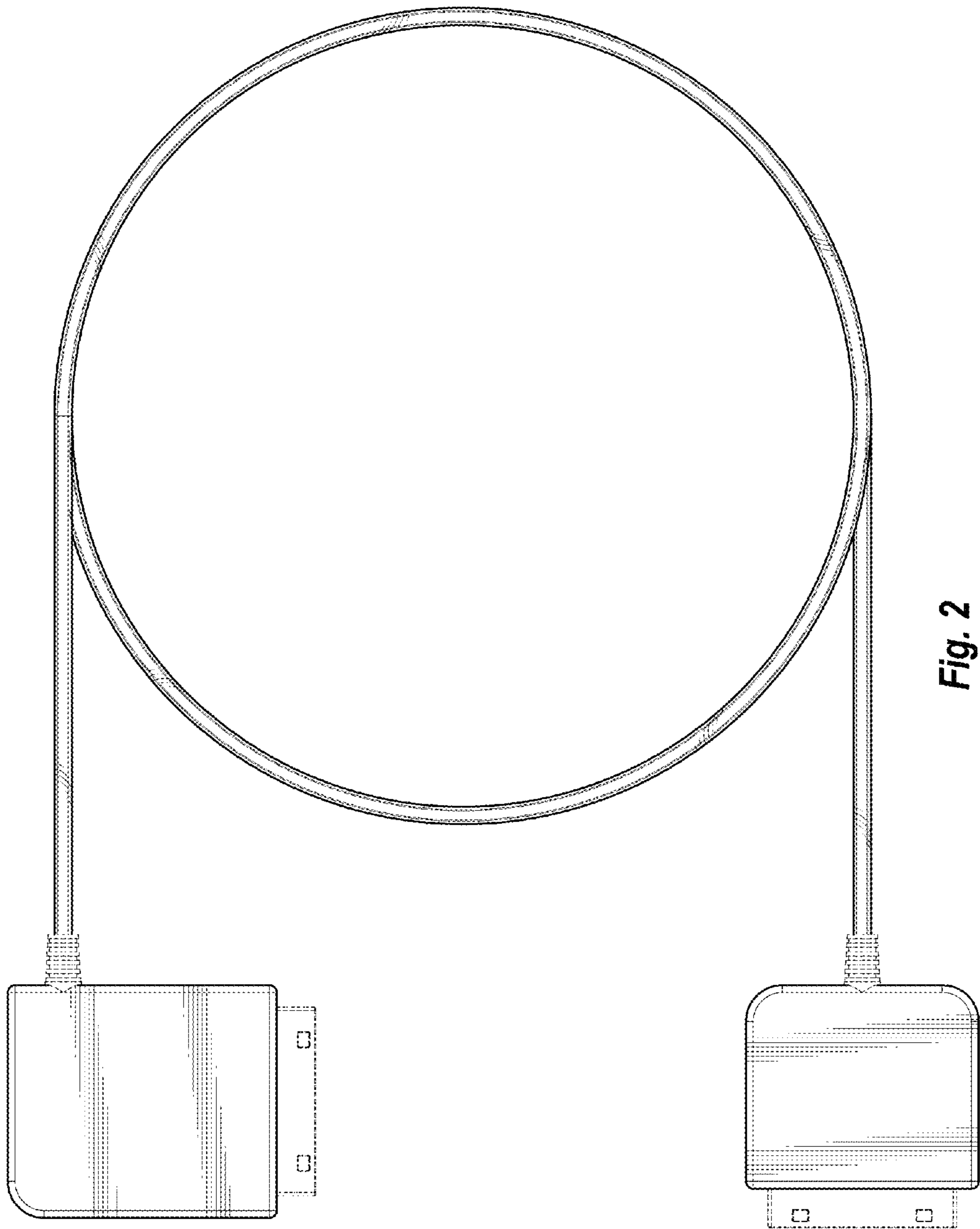


Fig. 2

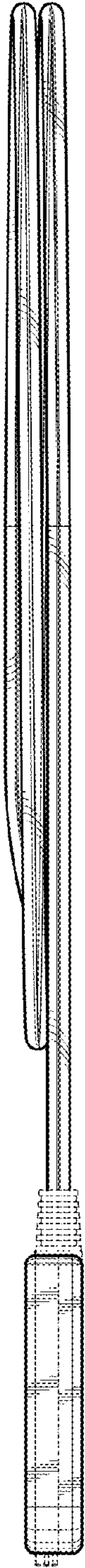


Fig. 3

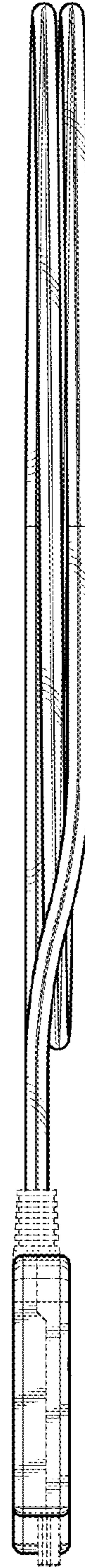


Fig. 4

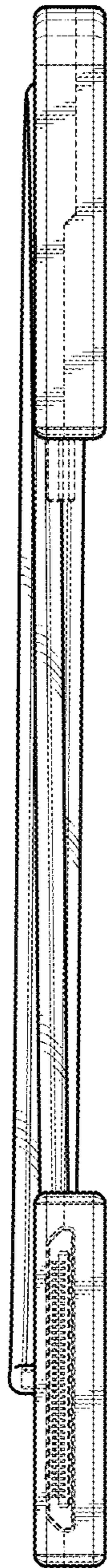


Fig. 5

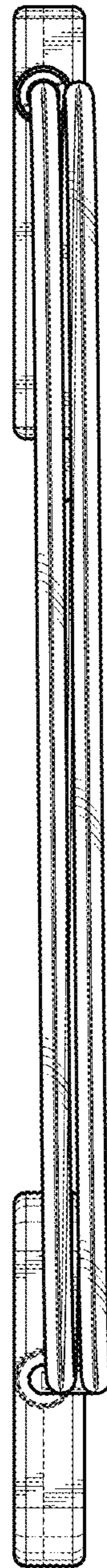


Fig. 6

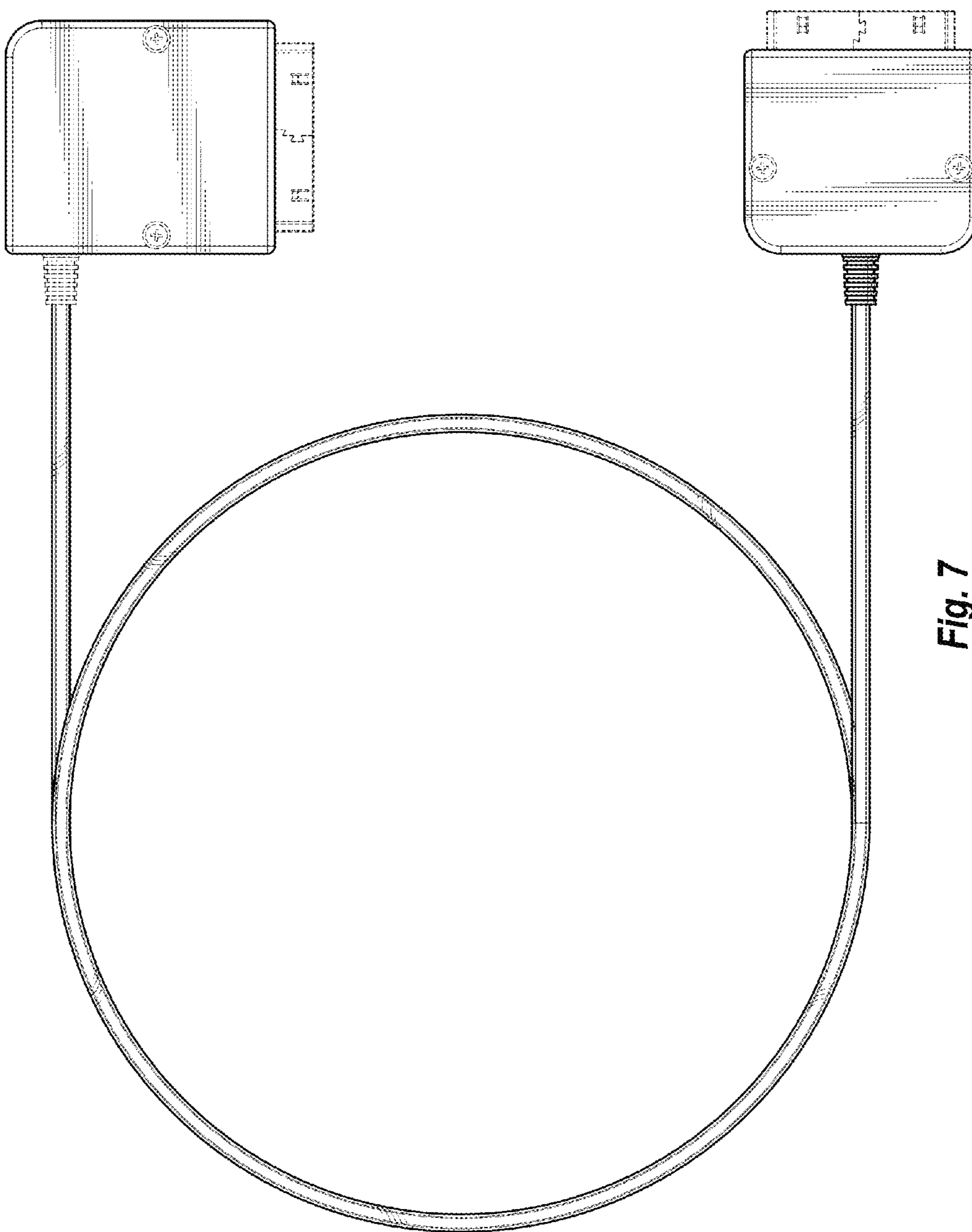


Fig. 7

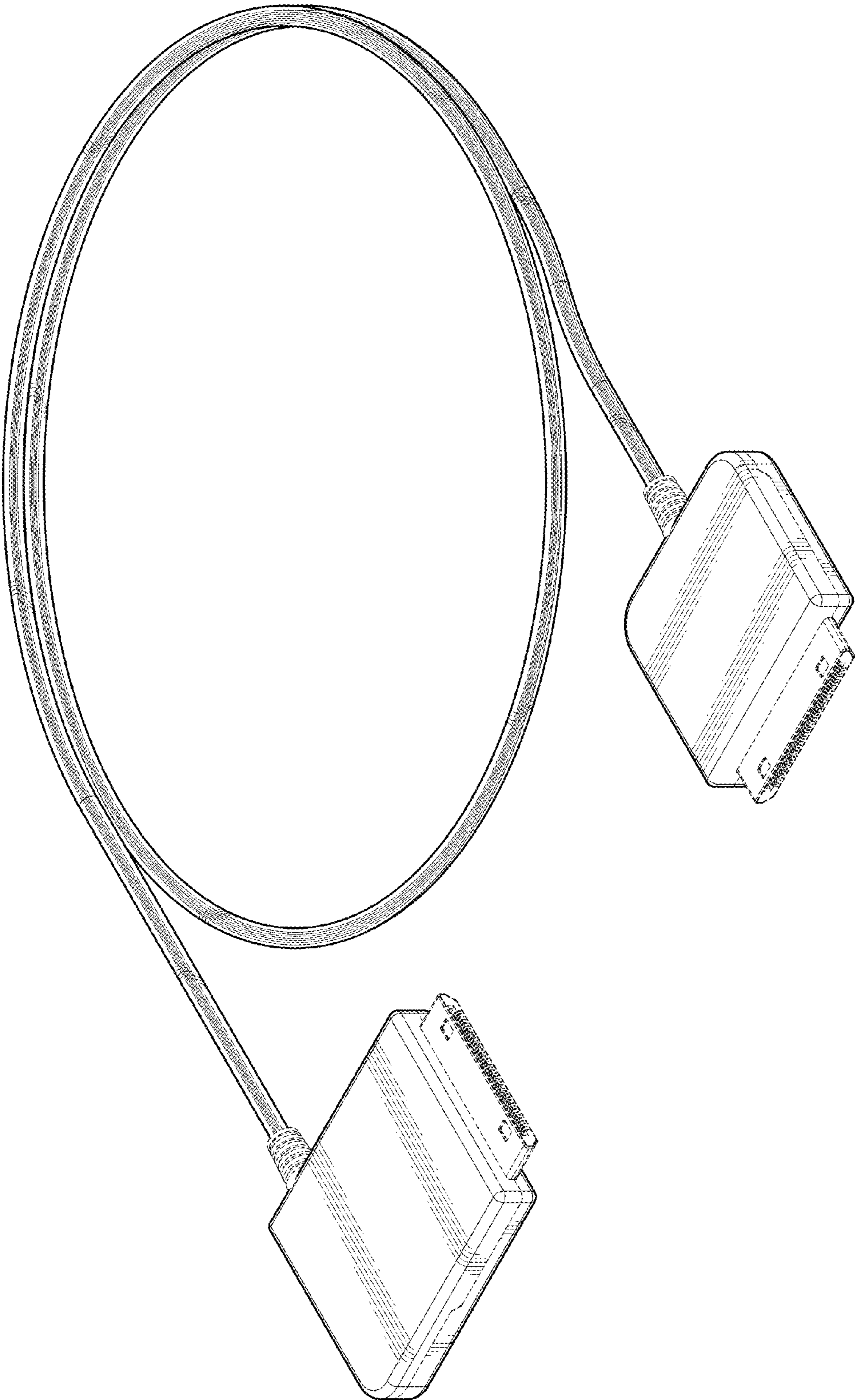


Fig. 8

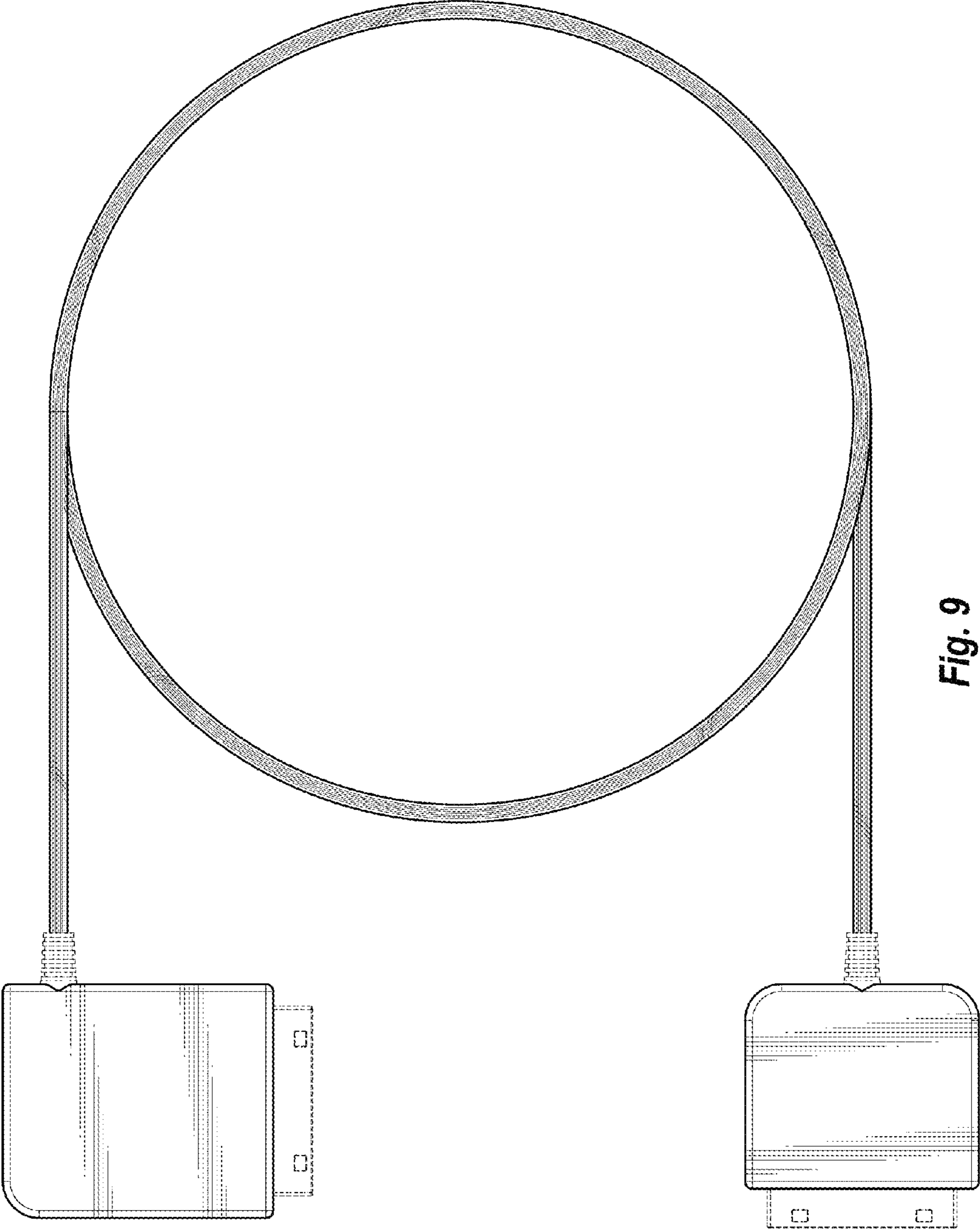


Fig. 9



Fig. 10



Fig. 11

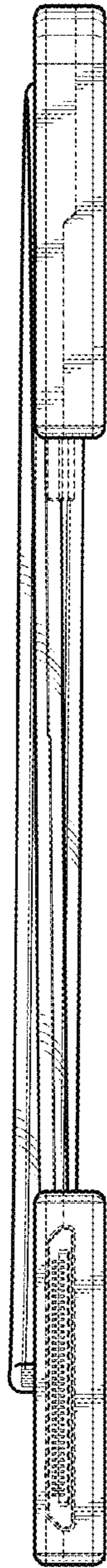


Fig. 12



Fig. 13

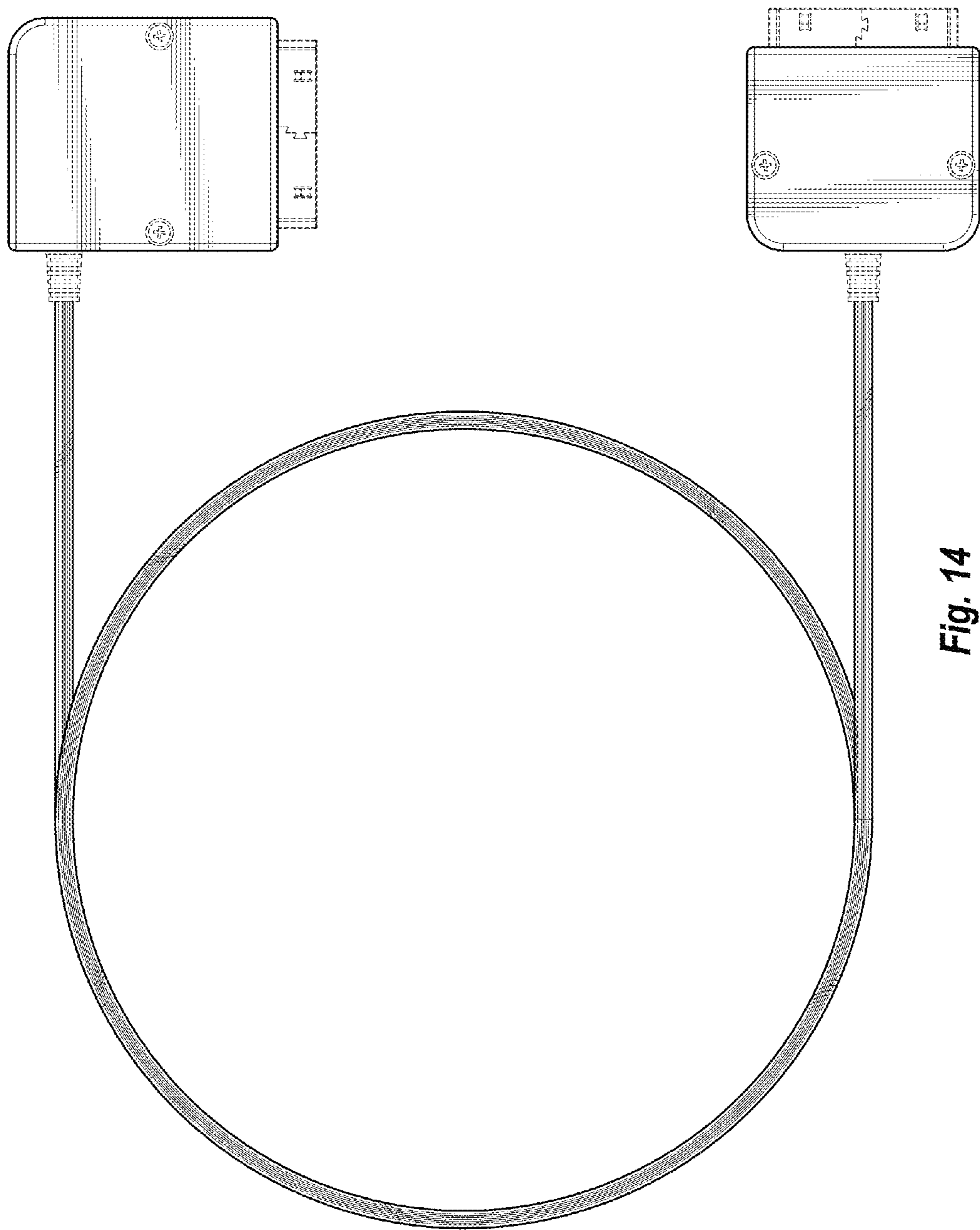


Fig. 14

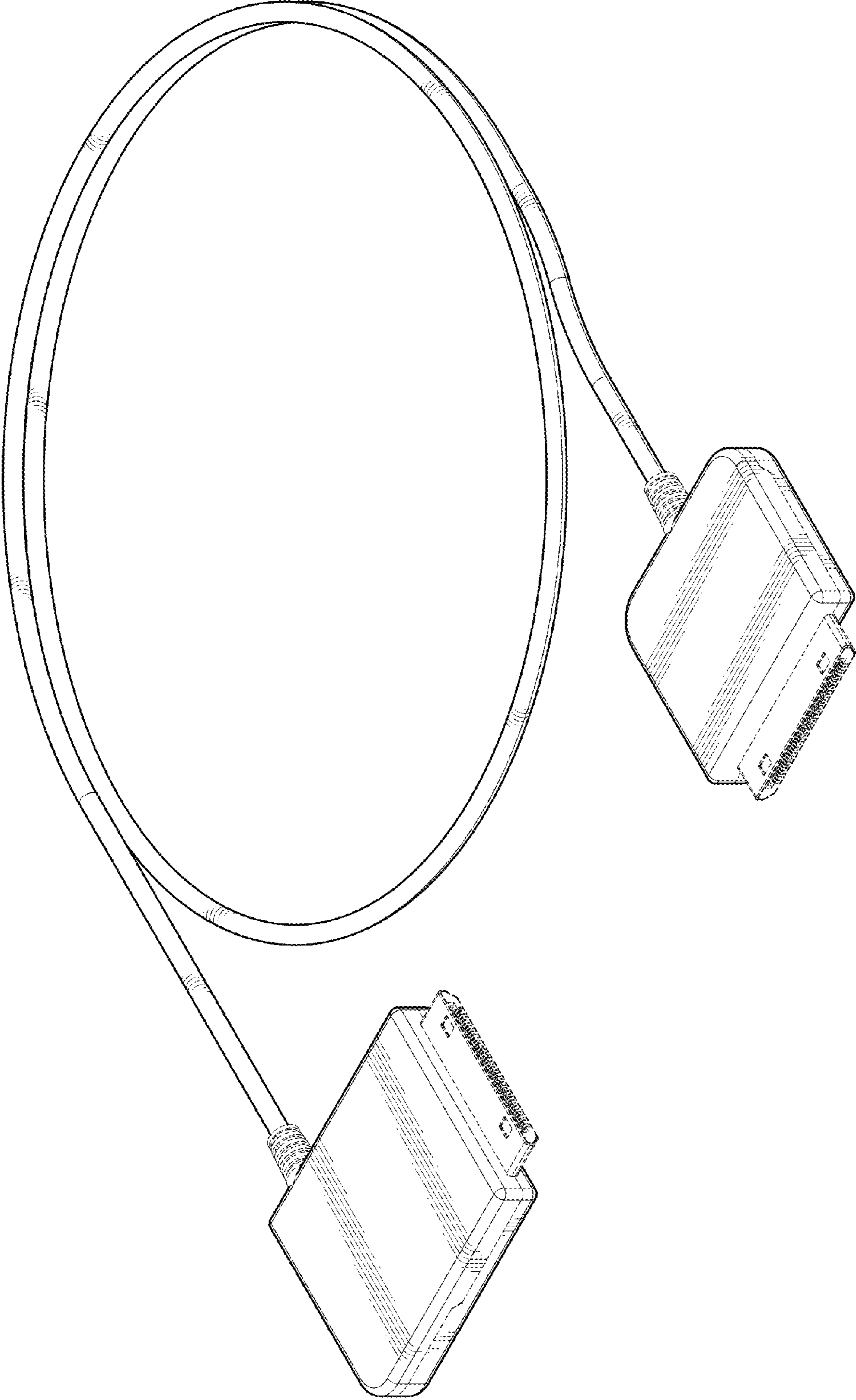


Fig. 15

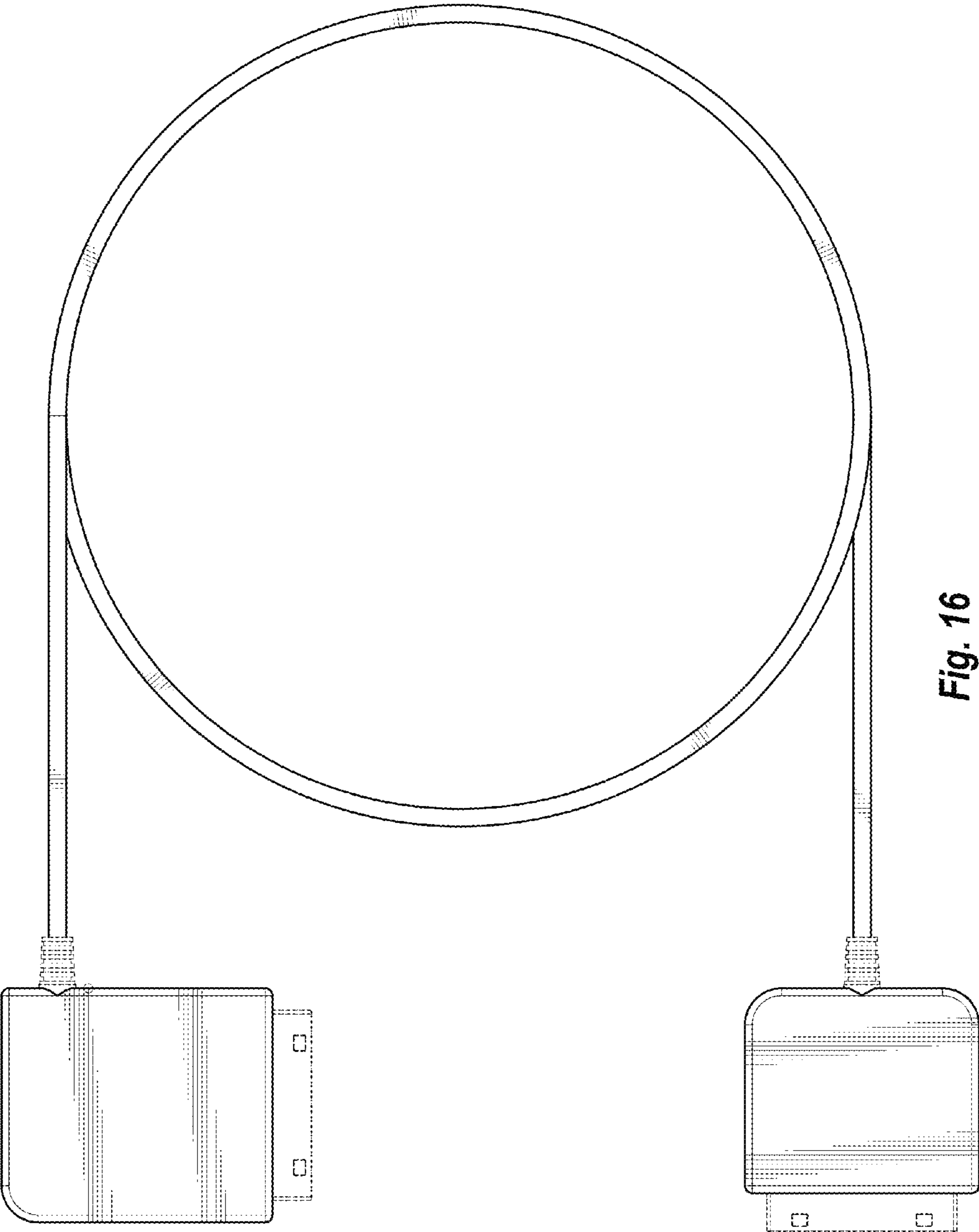


Fig. 16

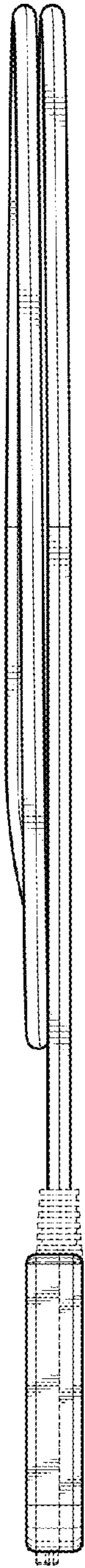


Fig. 17

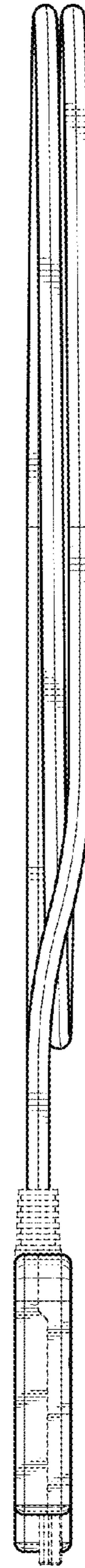


Fig. 18

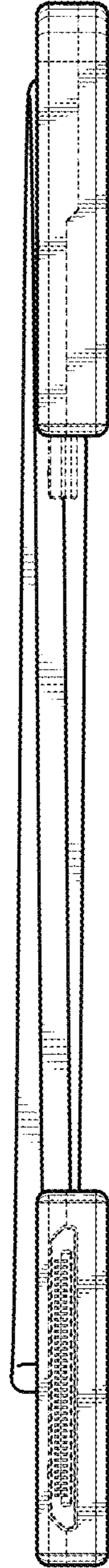


Fig. 19

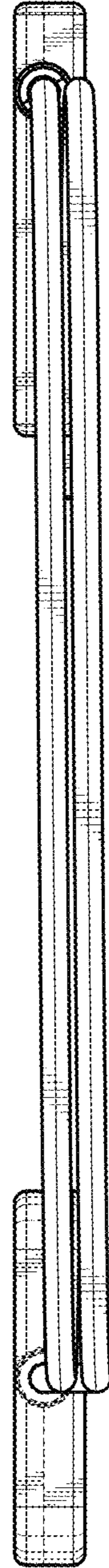


Fig. 20

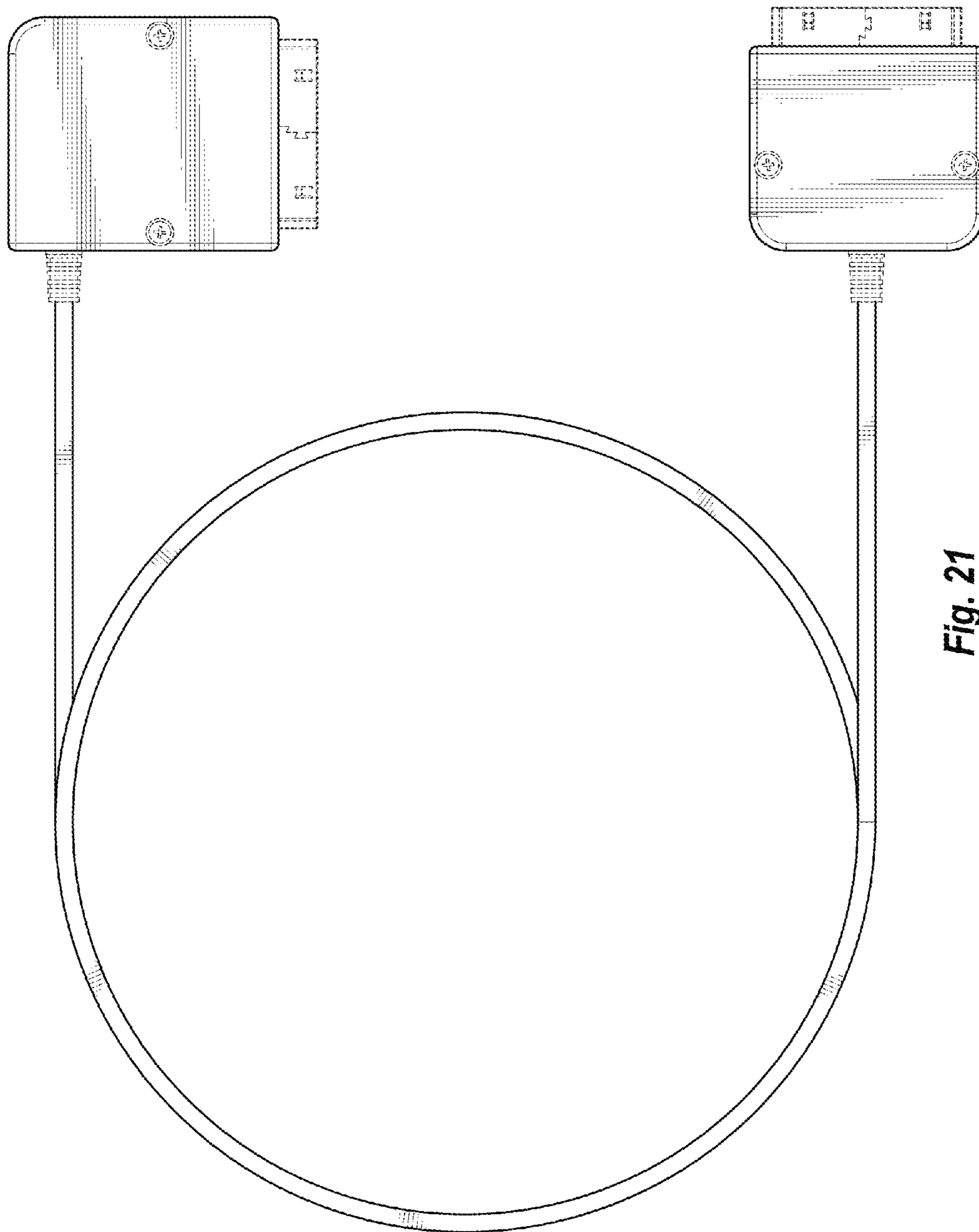


Fig. 21