



US00D703613S

(12) **United States Design Patent**
Battaglia

(10) **Patent No.:** **US D703,613 S**

(45) **Date of Patent:** **** Apr. 29, 2014**

(54) **TELEPHONE LINE SEIZURE MODULE**

(76) Inventor: **Joshua Battaglia**, Meraux, LA (US)

(**) Term: **14 Years**

(21) Appl. No.: **29/395,688**

(22) Filed: **Mar. 14, 2012**

(51) **LOC (10) Cl.** **13-03**

(52) **U.S. Cl.**
USPC **D13/147**

(58) **Field of Classification Search**
USPC D13/110, 120, 133, 146, 147, 154;
439/607.01, 607.04, 607.07-607.09,
439/607.11, 607.13, 607.14, 607.25,
439/607.31, 607.32, 353, 752, 676;
361/818; 174/358; D10/104.1, 106.9,
D10/106.3, 106.94, 106.95; 379/37-51
See application file for complete search history.

(56) **References Cited**

U.S. PATENT DOCUMENTS

4,805,210	A	2/1989	Griffith, Jr.	
4,807,278	A	2/1989	Ross	
4,825,457	A	4/1989	Lebowitz	
4,887,290	A	12/1989	Dop et al.	
5,118,310	A *	6/1992	Stroede et al.	439/676
5,131,019	A	7/1992	Sheffer et al.	
5,362,261	A *	11/1994	Puerner	439/752
5,465,297	A	11/1995	Azem	
D384,035	S *	9/1997	Kuprewicz et al.	D13/133
5,745,849	A	4/1998	Britton	
6,366,647	B1	4/2002	Webb	
D460,046	S *	7/2002	Wood	D13/147
D480,688	S *	10/2003	Lin	D13/147

D549,119	S *	8/2007	Becker	D10/104.1
D634,275	S *	3/2011	Bower	D13/147
D642,129	S *	7/2011	Ohkuma	D13/133
D652,799	S *	1/2012	Mueller	D13/133
D661,251	S *	6/2012	Cheng et al.	D13/120
D662,886	S *	7/2012	Smith	D13/146
D662,887	S *	7/2012	Smith	D13/146
D678,205	S *	3/2013	Shifris et al.	D13/133
D693,767	S *	11/2013	Zaslavsky et al.	D13/110
2006/0023846	A1 *	2/2006	Brower et al.	379/33

* cited by examiner

Primary Examiner — Thomas Johannes

Assistant Examiner — Khawaja Anwar

(74) *Attorney, Agent, or Firm* — Paul R. Martin

(57) **CLAIM**

The ornamental design for a telephone line seizure module, as shown and described.

DESCRIPTION

FIG. 1 is perspective view from above of the telephone line seizure module of my new design.

FIG. 2 is a top plan view of the module of my new design.

FIG. 3 is an elevational view of the rear of the module of my new design.

FIG. 4 is an elevational view of the front of the module of my new design.

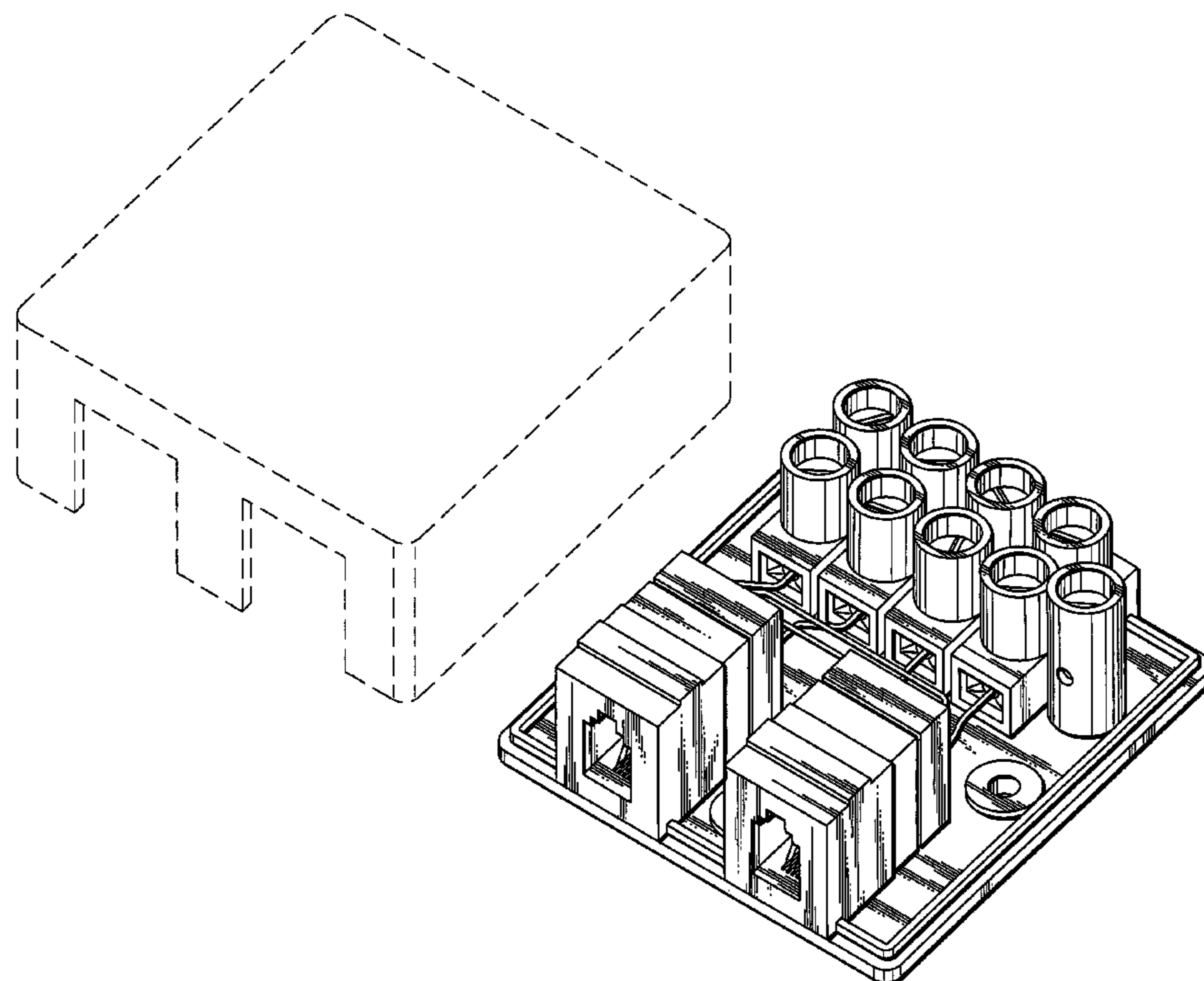
FIG. 5 is an elevational view of the right side of the module shown in FIG. 1.

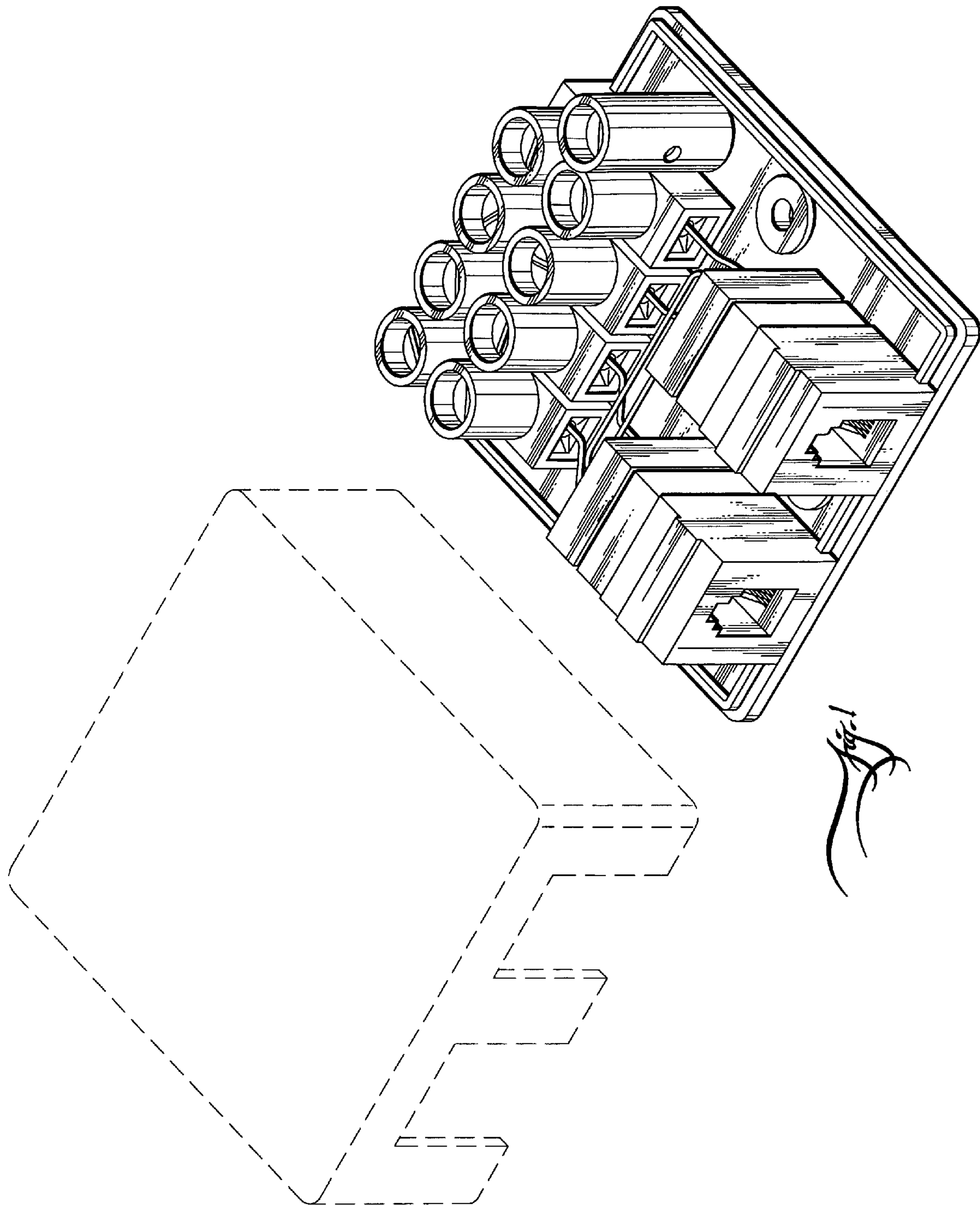
FIG. 6 is an elevational view of the left side of the module shown in FIG. 1; and,

FIG. 7 is a bottom plan view of the module of my new design.

The broken line elements in FIGS. 1, and 2 are environmental, and are not a part of my new design.

1 Claim, 4 Drawing Sheets





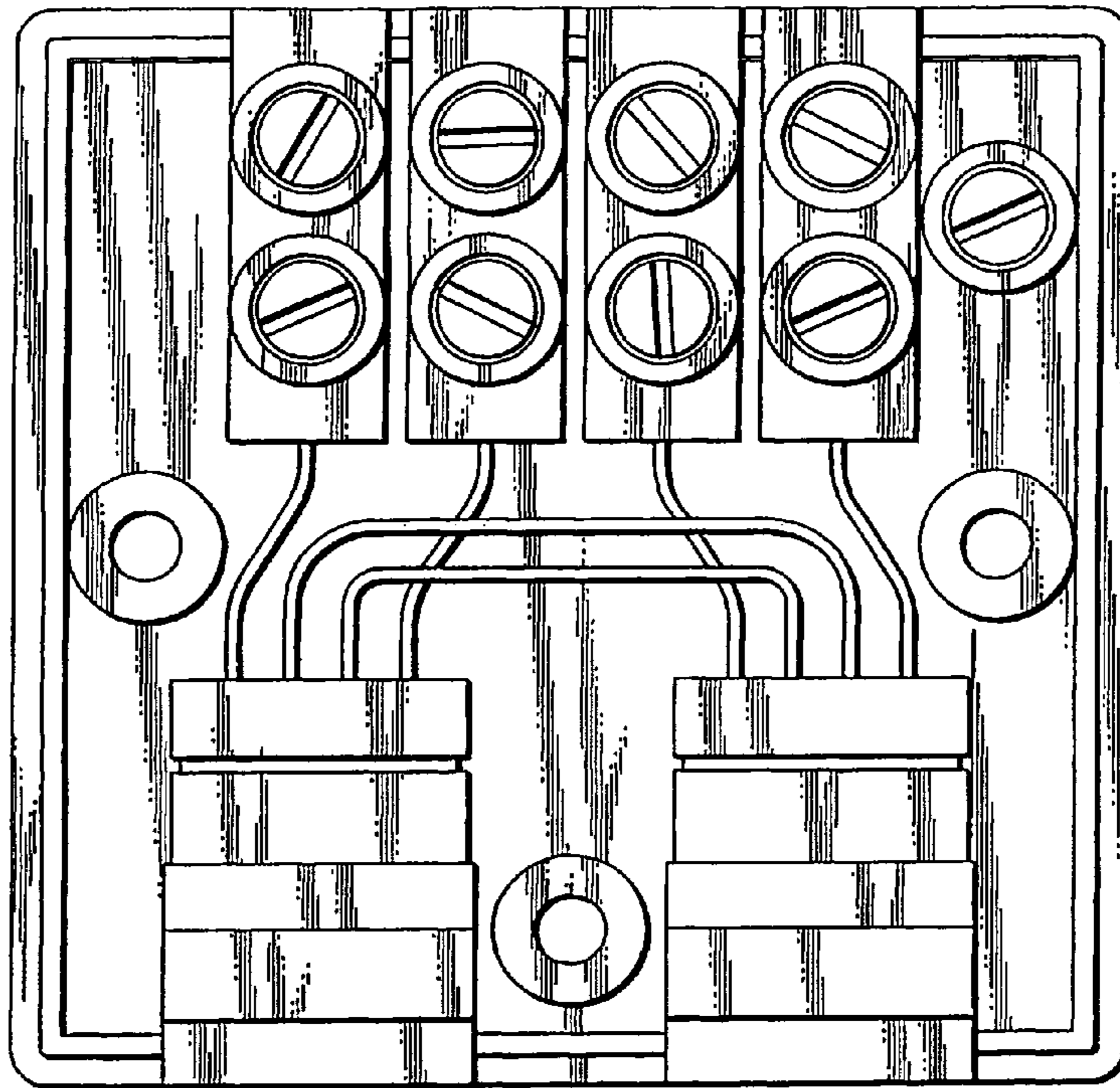
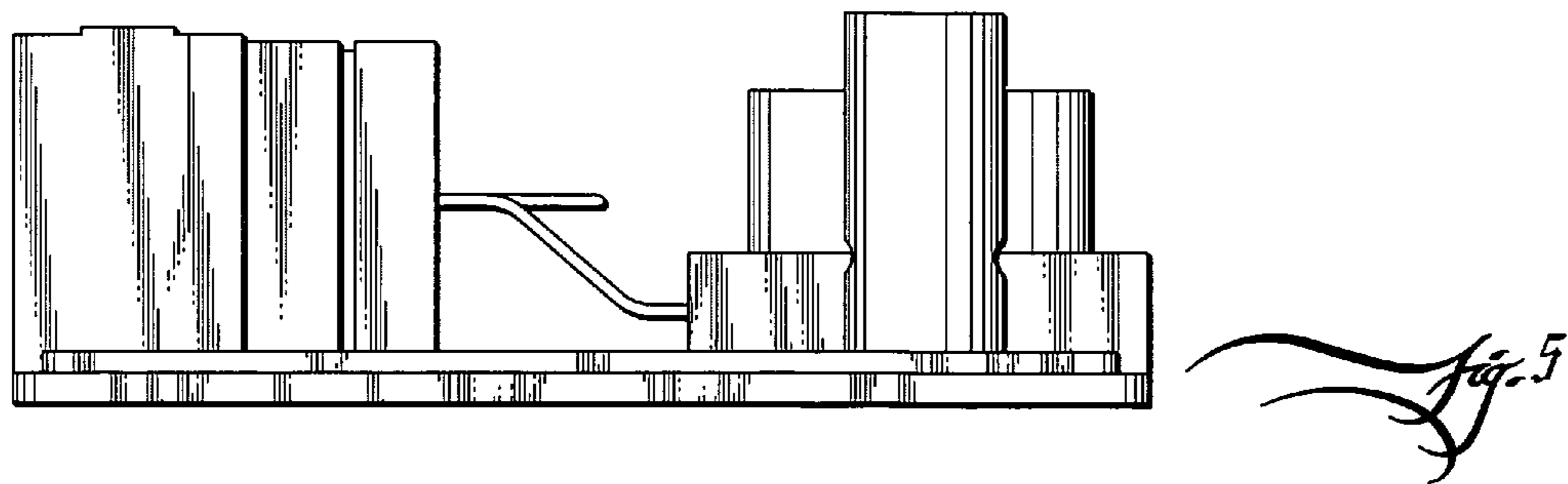
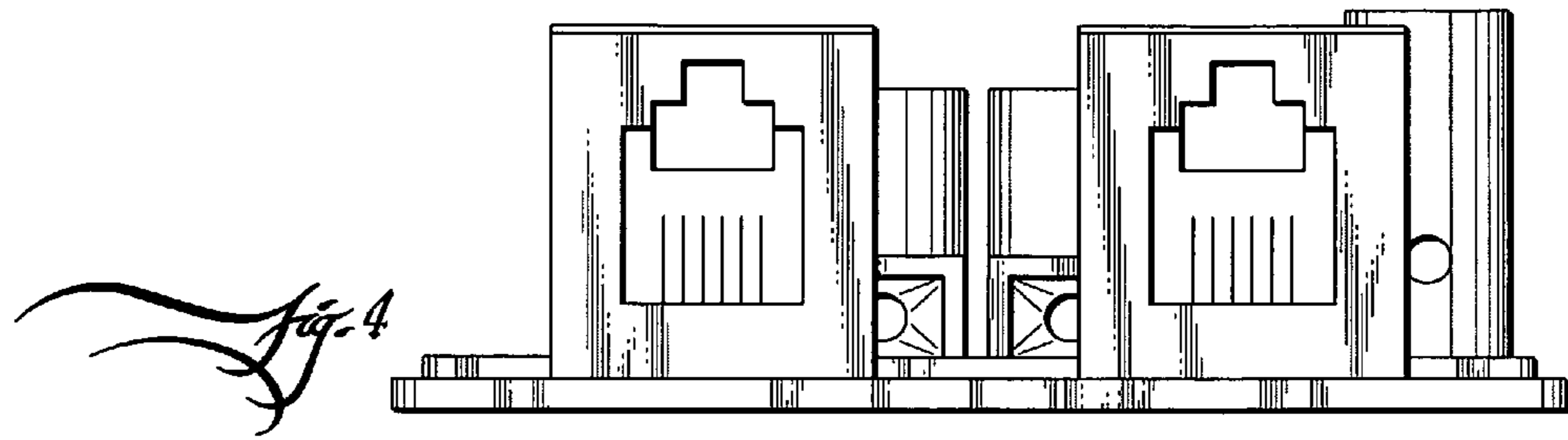
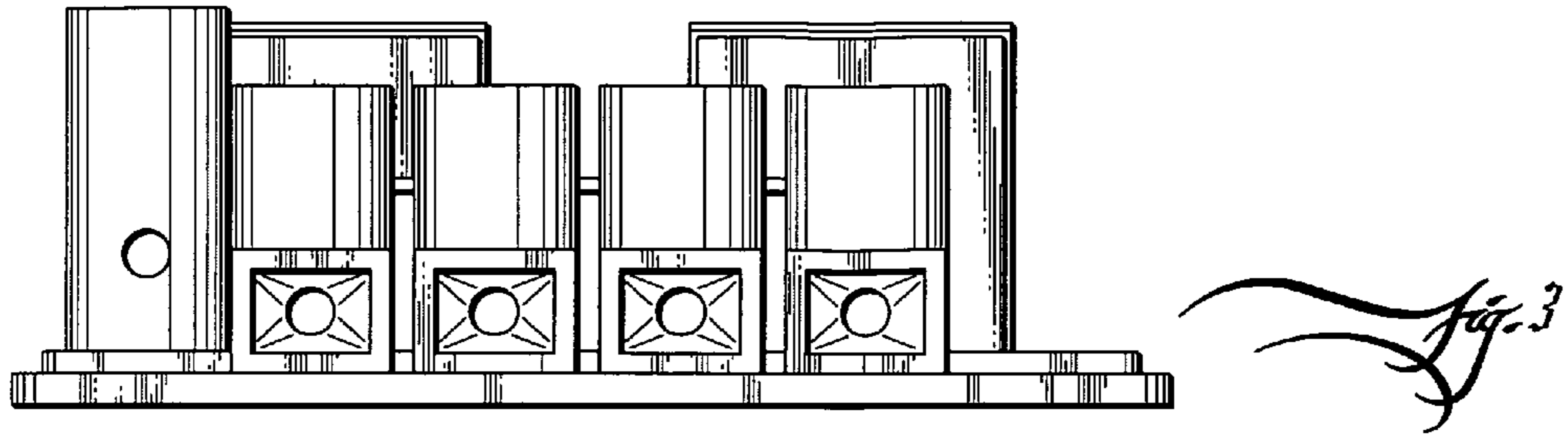


Fig. 2



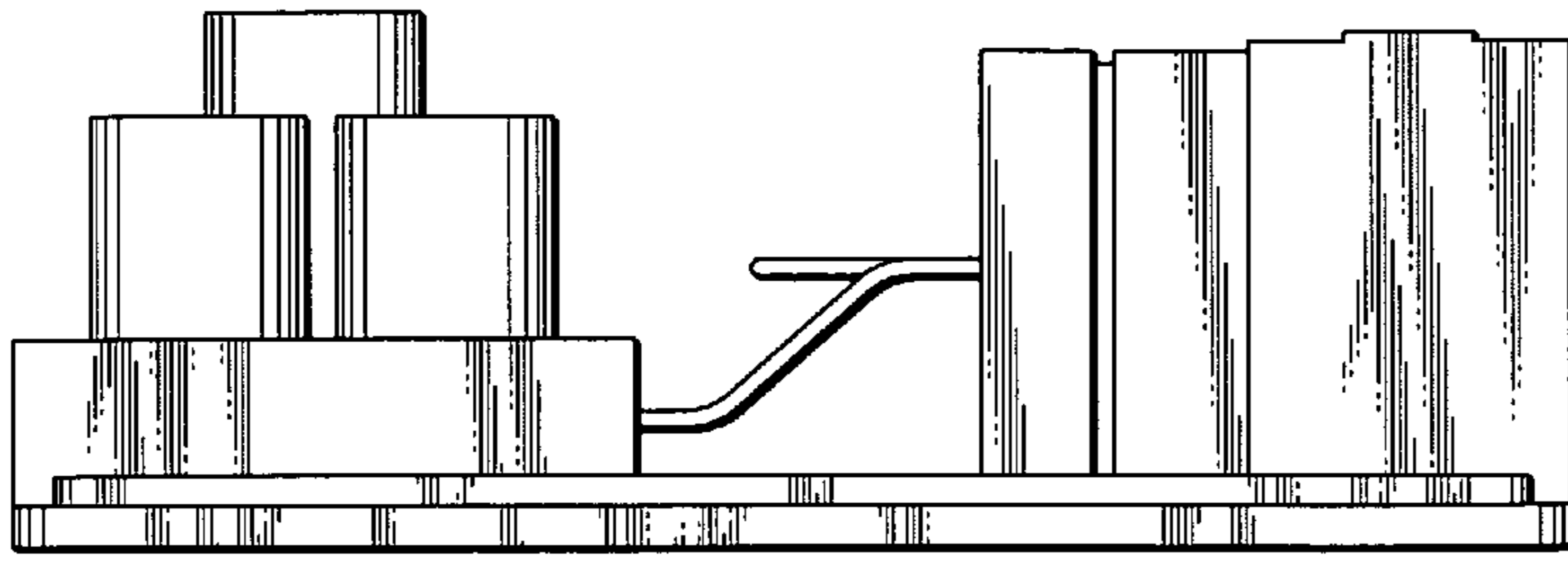


Fig. 6

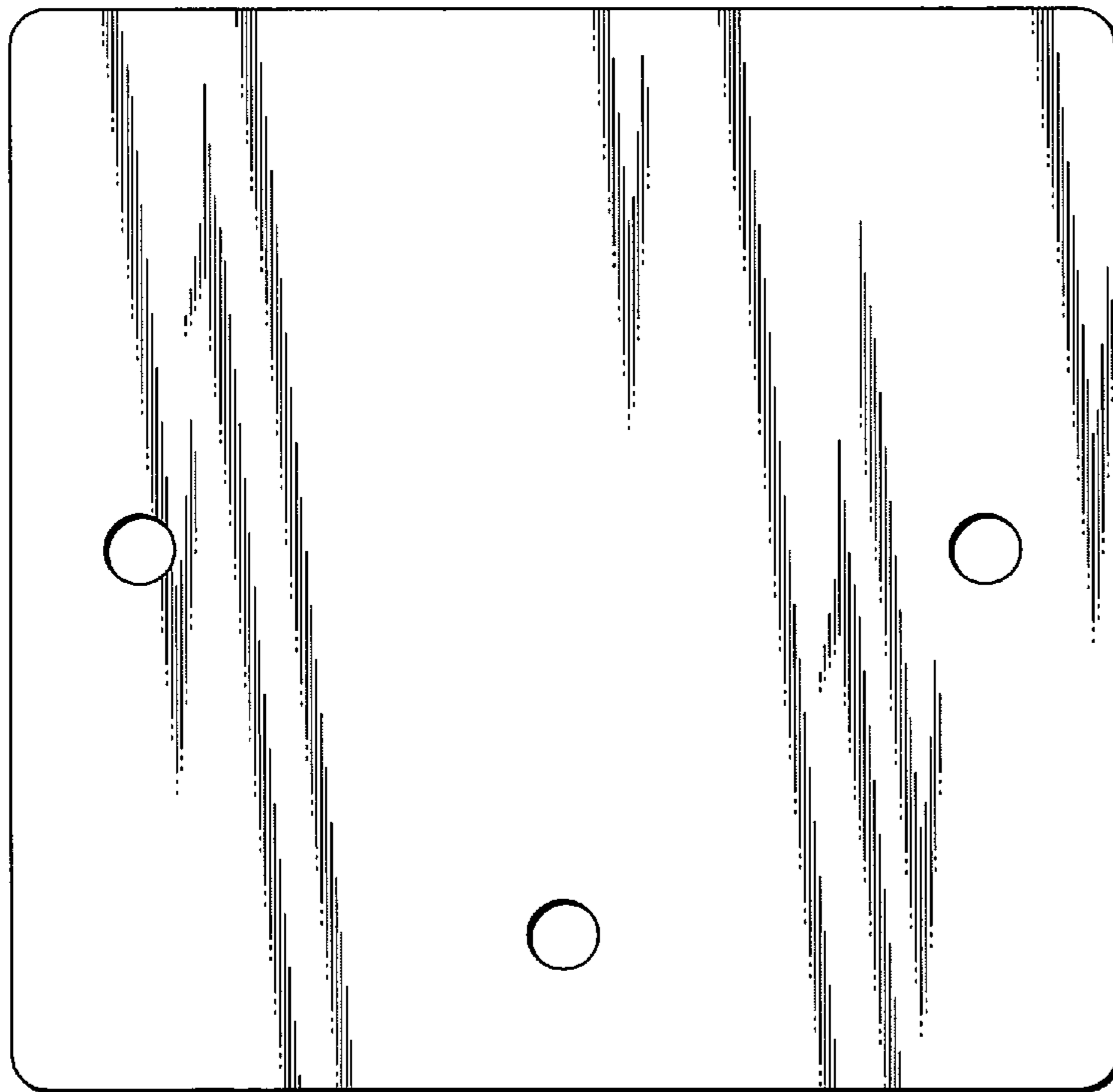


Fig. 7