

US00D703612S

(12) **United States Design Patent**
Dachs, II

(10) **Patent No.:** **US D703,612 S**
(45) **Date of Patent:** **** Apr. 29, 2014**

(54) **CONNECTOR INTERFACE FOR A CABLE**

(71) Applicant: **Intuitive Surgical Operations, Inc.**,
Sunnyvale, CA (US)

(72) Inventor: **Gregory W. Dachs, II**, San Mateo, CA
(US)

(73) Assignee: **Intuitive Surgical Operations, Inc.**,
Sunnyvale, CA (US)

(**) Term: **14 Years**

(21) Appl. No.: **29/465,109**

(22) Filed: **Aug. 23, 2013**

Related U.S. Application Data

(62) Division of application No. 29/436,252, filed on Nov. 2, 2012, now Pat. No. Des. 691,091.

(51) **LOC (10) Cl.** **13-03**

(52) **U.S. Cl.**
USPC **D13/146**

(58) **Field of Classification Search**
USPC D13/133, 146-147, 154, 158, 162, 173,
D13/177, 184, 199; 439/344, 378, 395, 409,
439/676, 607.04, 607.12, 607.14, 607.15,
439/685, 692, 732, 907, 908; D1/107, 111;
D14/432, 433, 438, 439; D21/488,
D21/503, 597, 599

See application file for complete search history.

(56) **References Cited**

U.S. PATENT DOCUMENTS

2,175,768 A 10/1939 Anthony
2,249,618 A 7/1941 Perkins

4,284,312 A *	8/1981	Patchett et al.	439/281
D319,625 S *	9/1991	Nagasaka et al.	D13/146
D460,046 S	7/2002	Wood		
D460,049 S	7/2002	McCoy		
D487,724 S *	3/2004	Hsiao	D13/145
6,702,617 B1	3/2004	Clement et al.		
D488,130 S	4/2004	Hsiao		
D512,378 S	12/2005	Dobler		
D563,883 S	3/2008	Dever		
D565,981 S	4/2008	Radecke et al.		
D603,345 S	11/2009	Melzner et al.		
D684,928 S	6/2013	Kreitzer et al.		
D686,579 S	7/2013	Fujioka		
D691,091 S	10/2013	Dachs, II		
2002/0049004 A1	4/2002	Davis et al.		
2003/0040204 A1	2/2003	Chen et al.		

OTHER PUBLICATIONS

Co-pending U.S. Appl. No. 61/721,870, filed Nov. 2, 2012.

* cited by examiner

Primary Examiner — Derrick Holland

Assistant Examiner — Lauren Calve

(57) **CLAIM**

The ornamental design for a connector interface for a cable, as shown and described.

DESCRIPTION

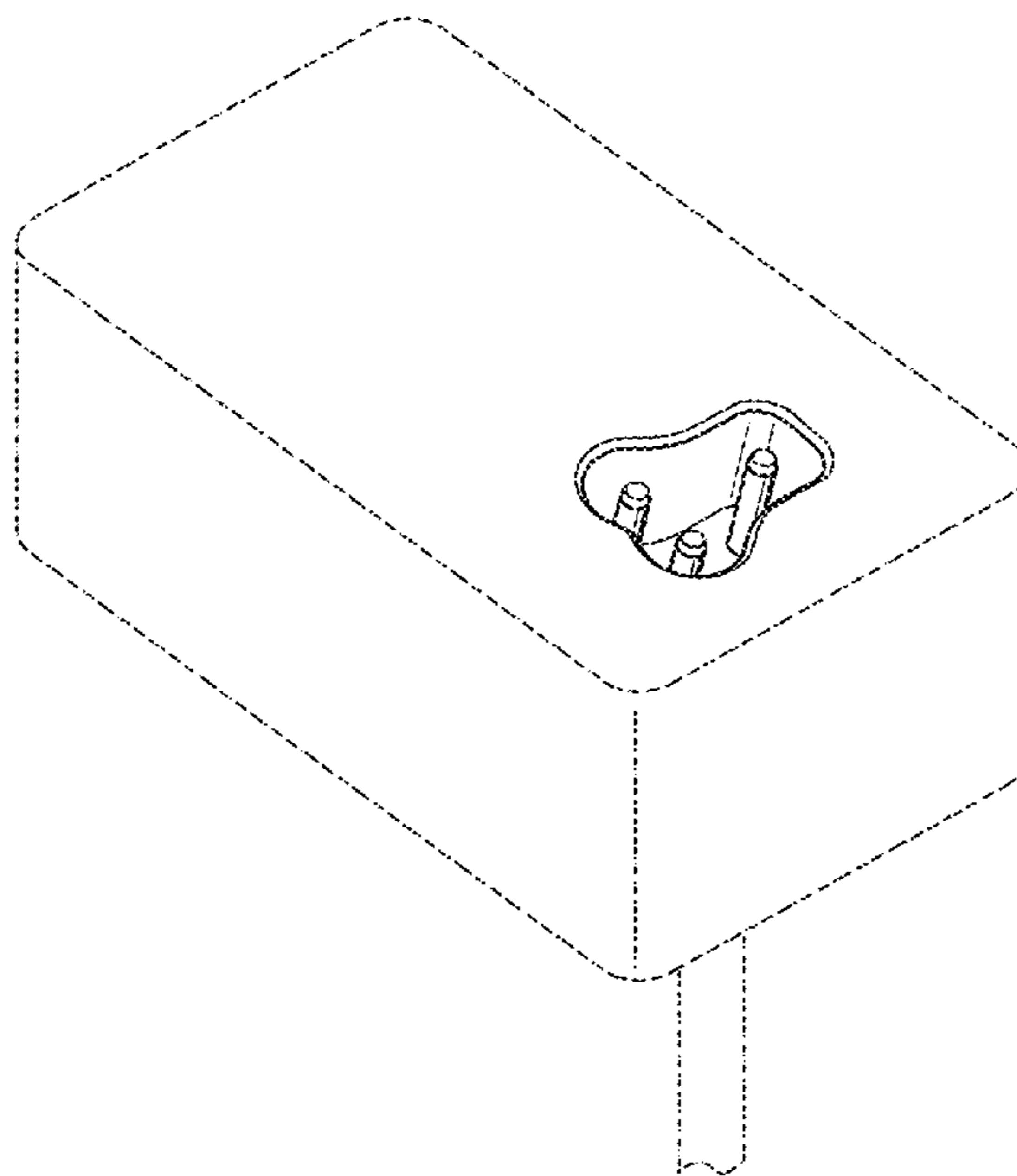
FIG. 1 is a perspective view of a connector interface for a cable of my new design.

FIG. 2 is a second perspective view thereof; and,

FIG. 3 is a third perspective view thereof.

The broken line showing of a connector interface for a cable represents unclaimed subject matter and forms no part of the claimed design.

1 Claim, 2 Drawing Sheets



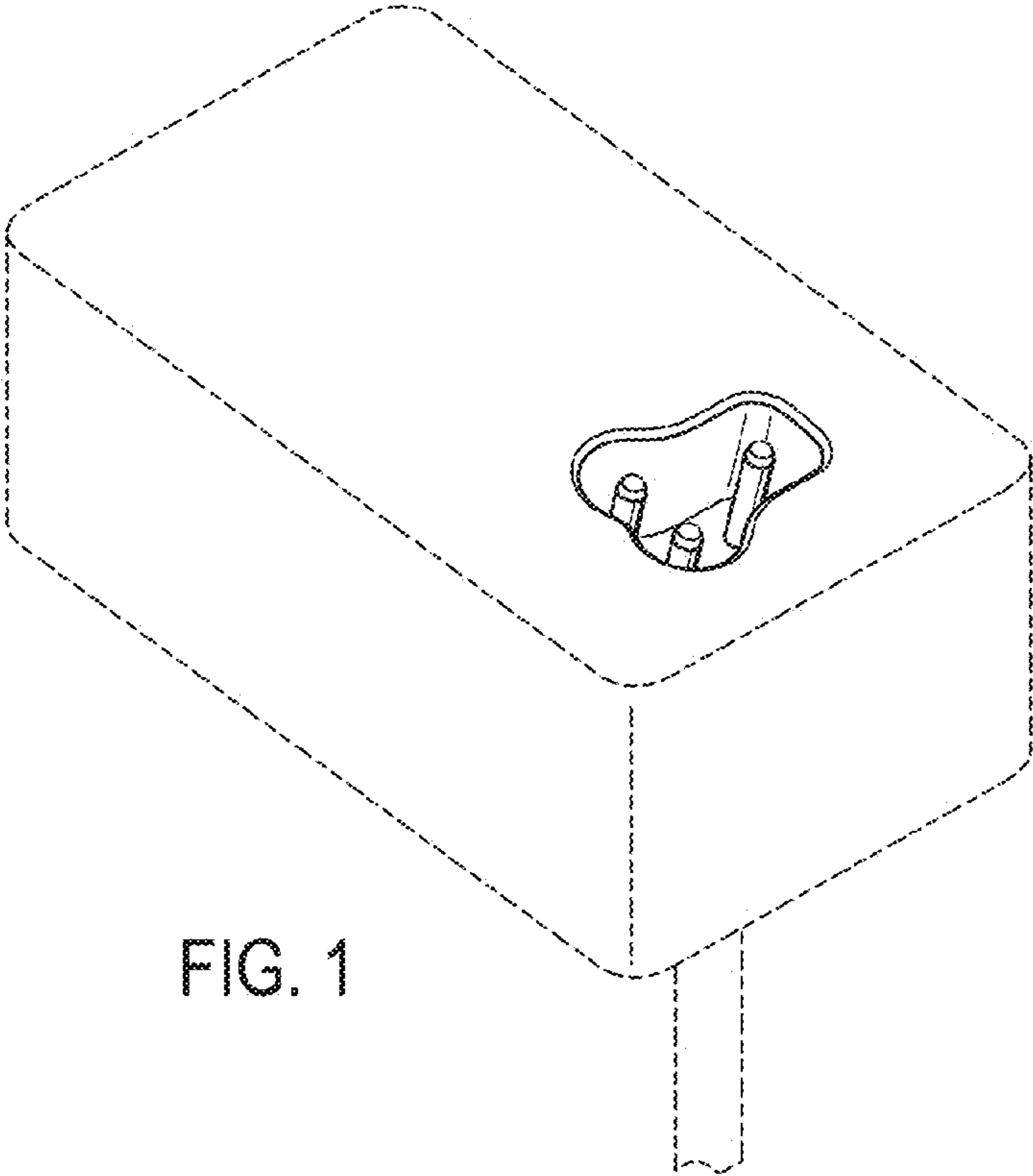


FIG. 1

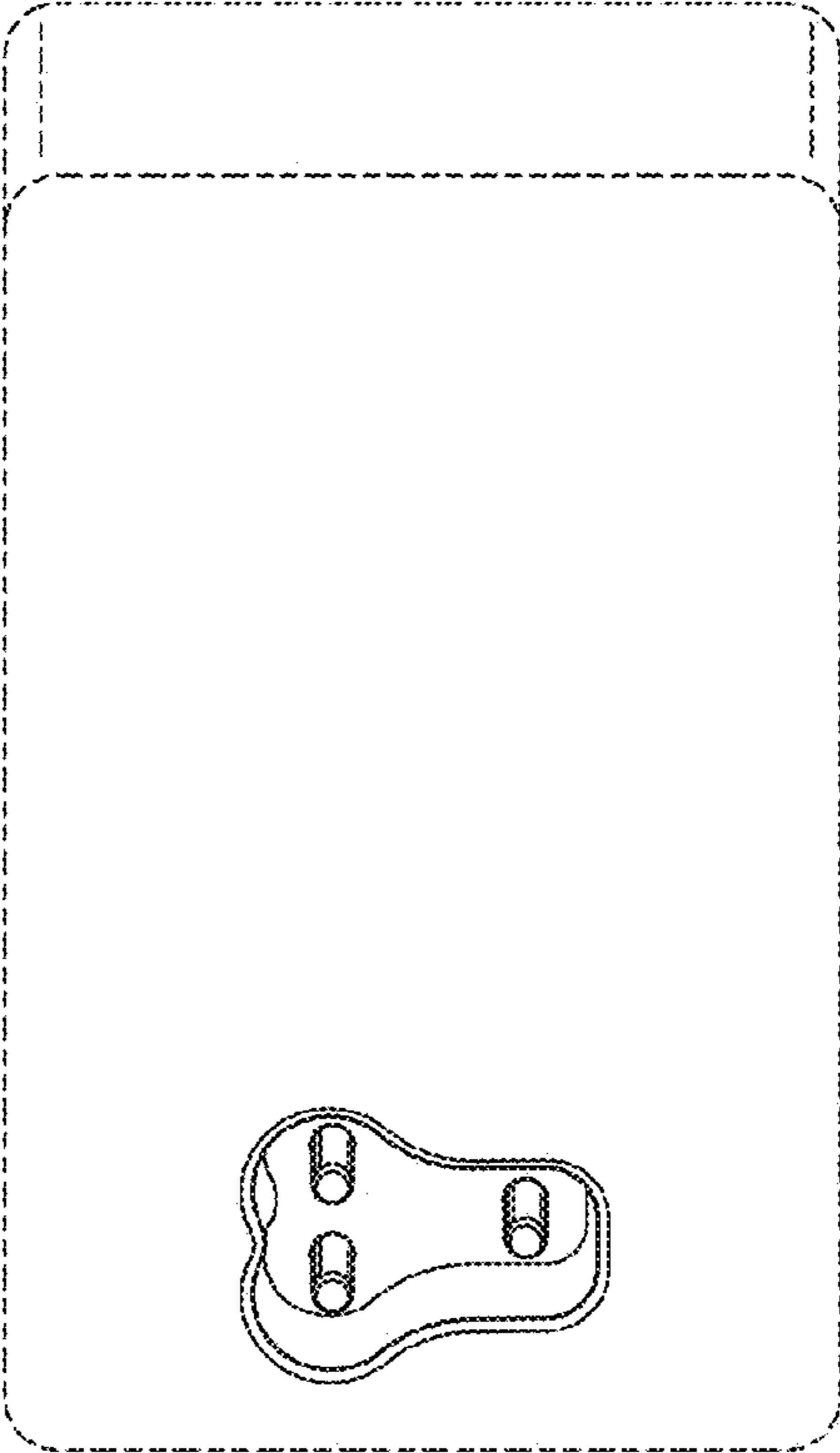


FIG. 2

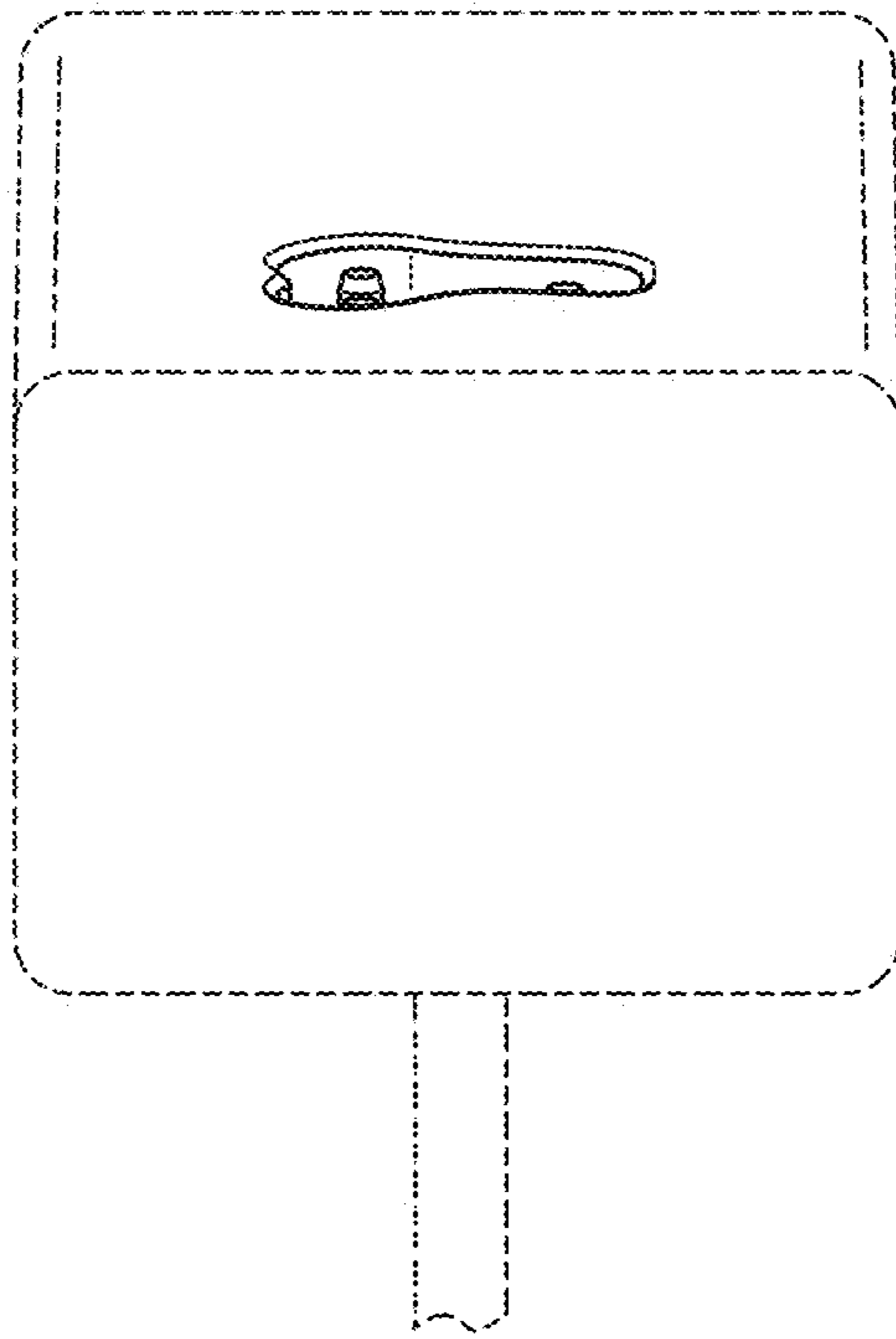


FIG. 3