

US00D703609S

(12) **United States Design Patent**  
**Koenig**

(10) **Patent No.:** **US D703,609 S**

(45) **Date of Patent:** **\*\* Apr. 29, 2014**

(54) **SIGNAL GENERATOR**

(71) Applicant: **Rohde & Schwarz GmbH & Co. KG,**  
Munich (DE)

(72) Inventor: **Hans-Dieter Koenig,** Haar (DE)

(\*\*) Term: **14 Years**

(21) Appl. No.: **29/457,418**

(22) Filed: **Jun. 10, 2013**

(51) **LOC (10) Cl.** ..... **13-02**

(52) **U.S. Cl.**  
USPC ..... **D13/110; D13/116**

(58) **Field of Classification Search**  
USPC ..... D13/110, 101, 107, 112, 116, 123, 124,  
D13/162, 184, 199; D10/15, 75, 78, 104.1;  
D14/300, 313, 432; 310/311, 314;  
322/1, 2 R, 44, 99, 100  
See application file for complete search history.

(56) **References Cited**

**U.S. PATENT DOCUMENTS**

- D263,395 S \* 3/1982 Karas et al. .... D14/313
- D264,691 S \* 6/1982 Volkland et al. .... D10/75
- 6,088,224 A \* 7/2000 Gallagher et al. .... 361/695

- D467,227 S \* 12/2002 Lee ..... D13/123
- D488,127 S \* 4/2004 Fan ..... D13/112
- D536,674 S \* 2/2007 Millar et al. .... D13/184
- D539,735 S \* 4/2007 Suckle ..... D13/110
- D569,341 S \* 5/2008 Aglassinger ..... D13/110

\* cited by examiner

*Primary Examiner* — Derrick Holland

(74) *Attorney, Agent, or Firm* — Cowan, Liebowitz & Latman, P.C.

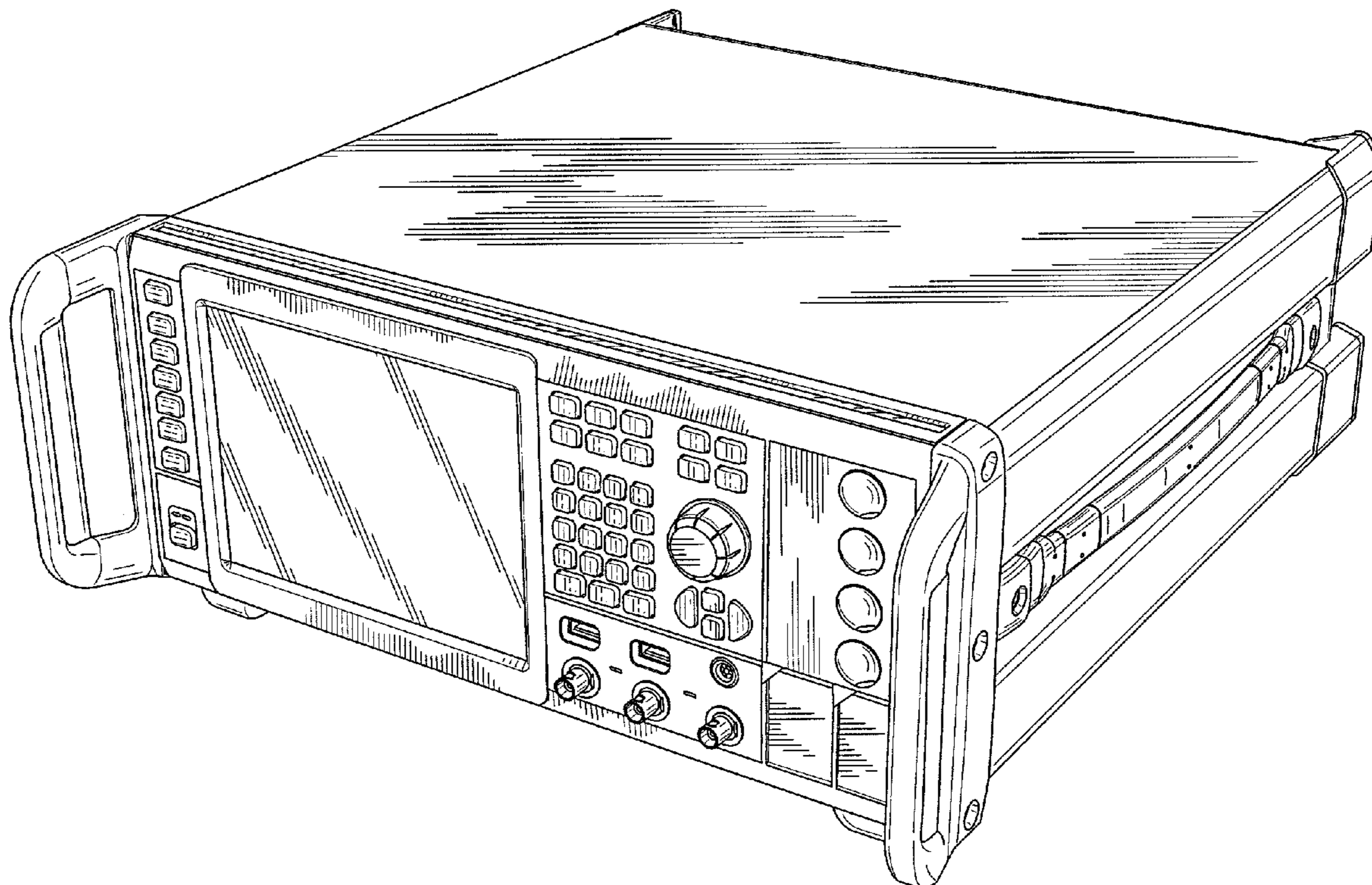
(57) **CLAIM**

The ornamental design for a signal generator, as shown and described.

**DESCRIPTION**

FIG. 1 is a front perspective view of the signal generator showing my design thereof;  
 FIG. 2 is a front view thereof;  
 FIG. 3 is a rear view thereof;  
 FIG. 4 is a right side view thereof;  
 FIG. 5 is a left side view thereof;  
 FIG. 6 is a top view thereof; and,  
 FIG. 7 is a bottom view thereof.  
 The broken lines shown represent unclaimed subject matter and form no part of the claimed design.

**1 Claim, 7 Drawing Sheets**



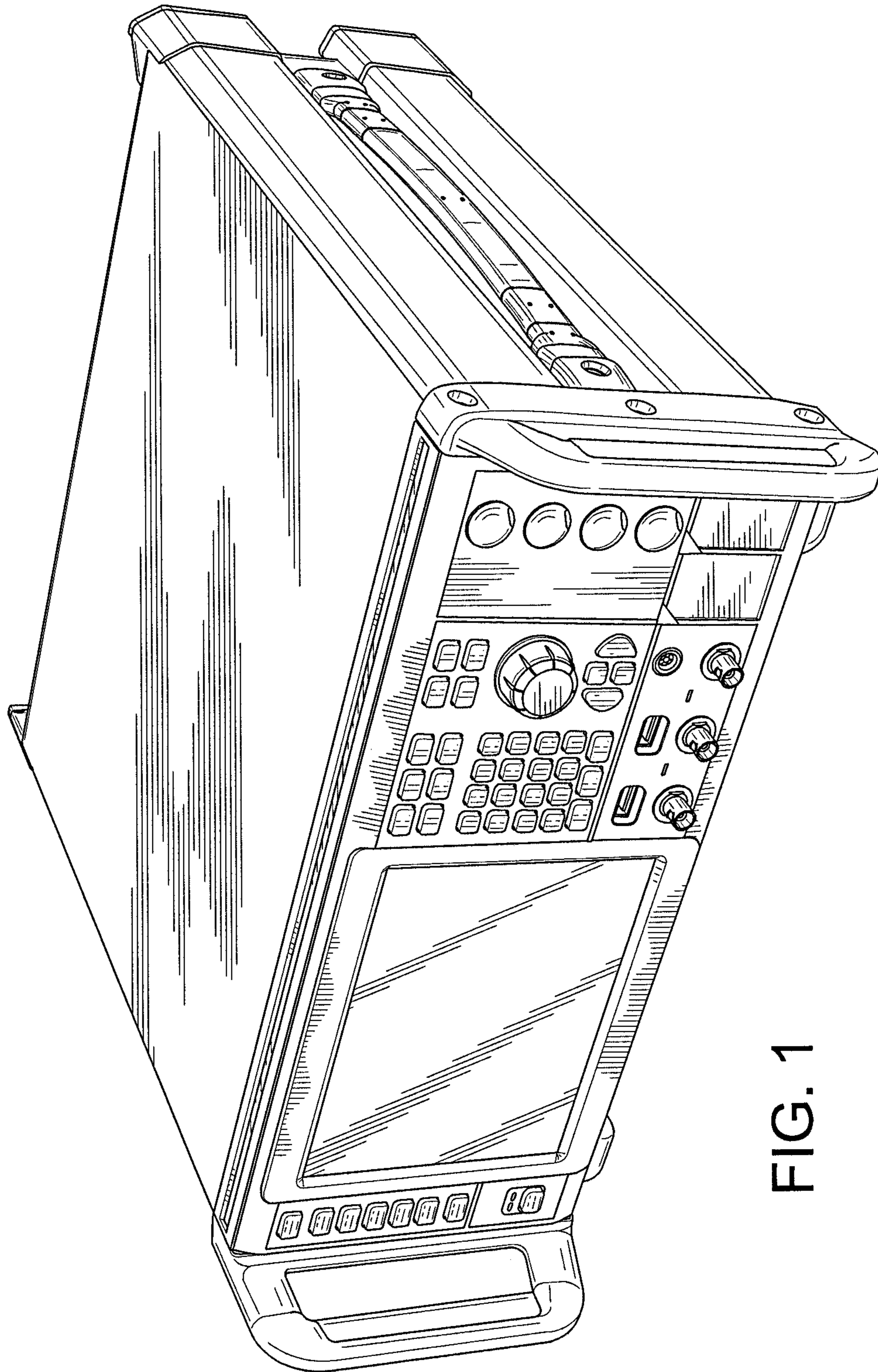


FIG. 1

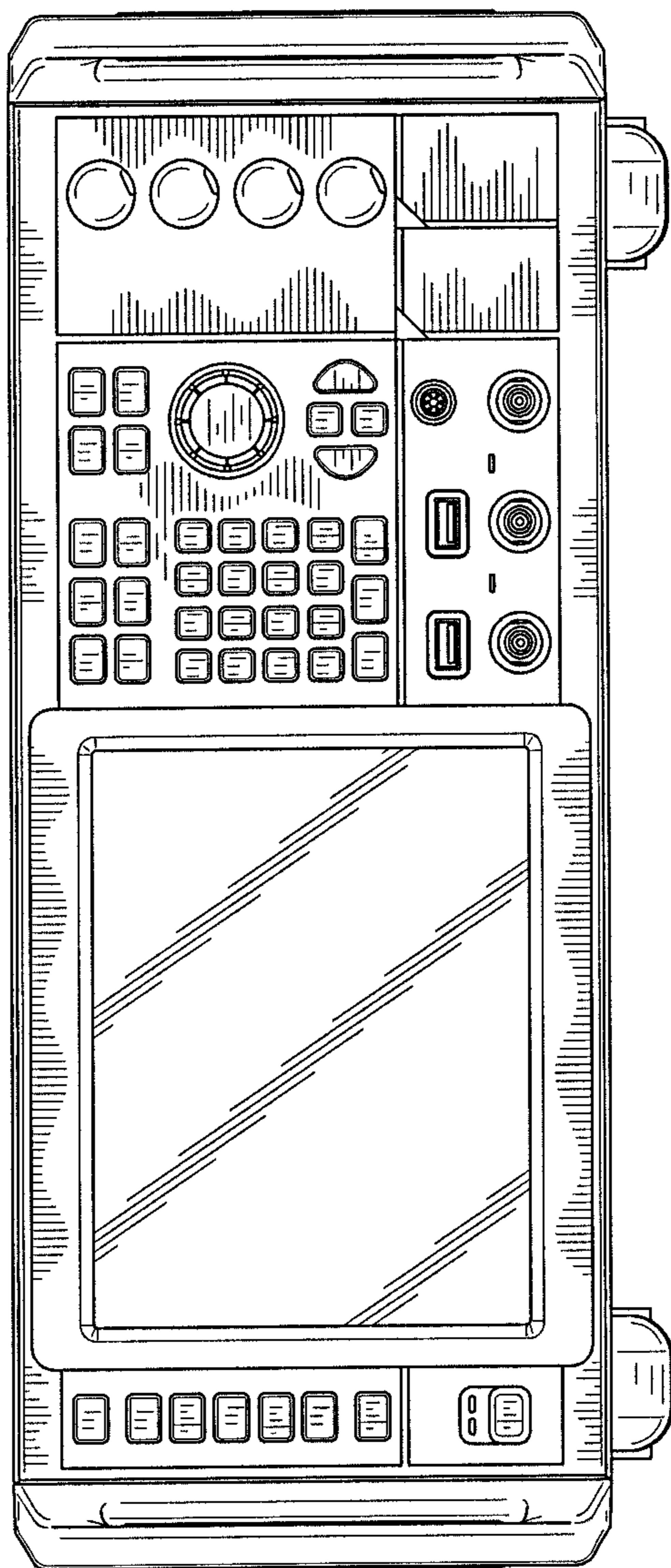


FIG. 2

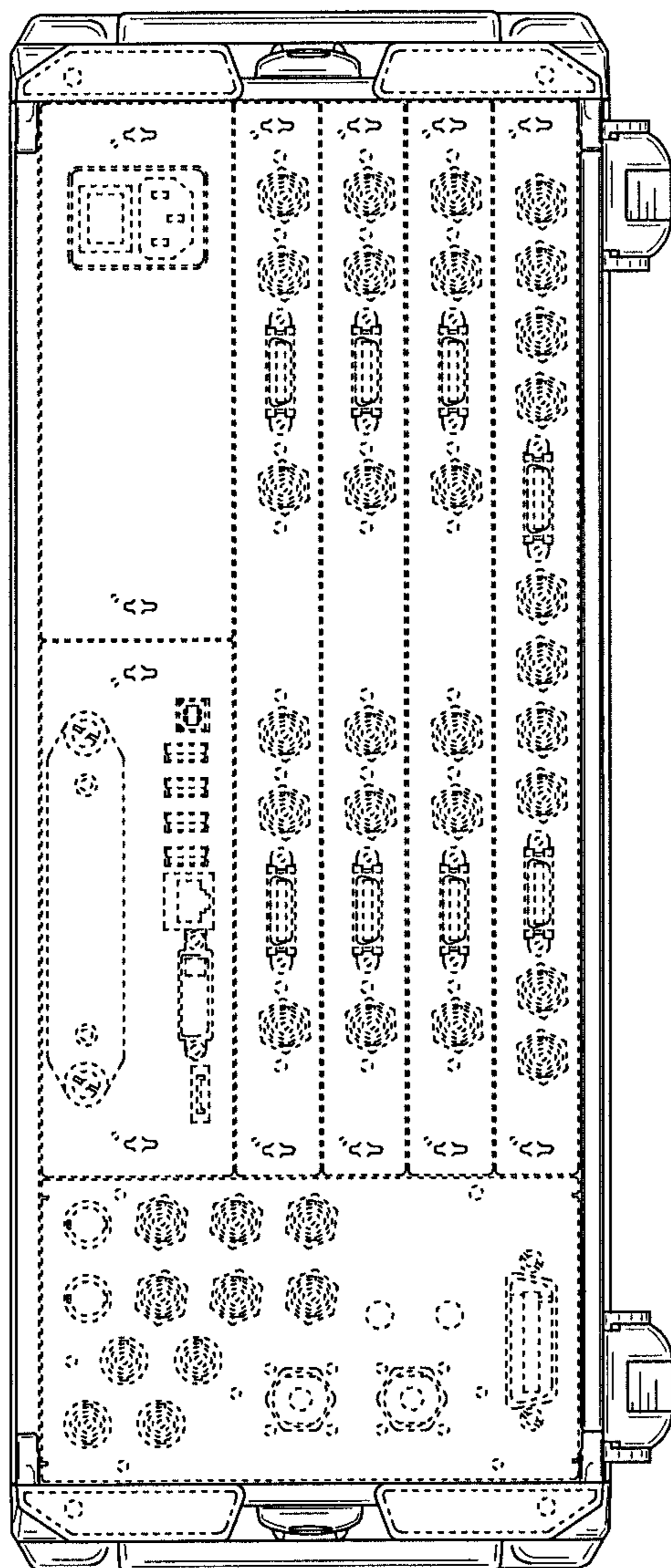


FIG. 3

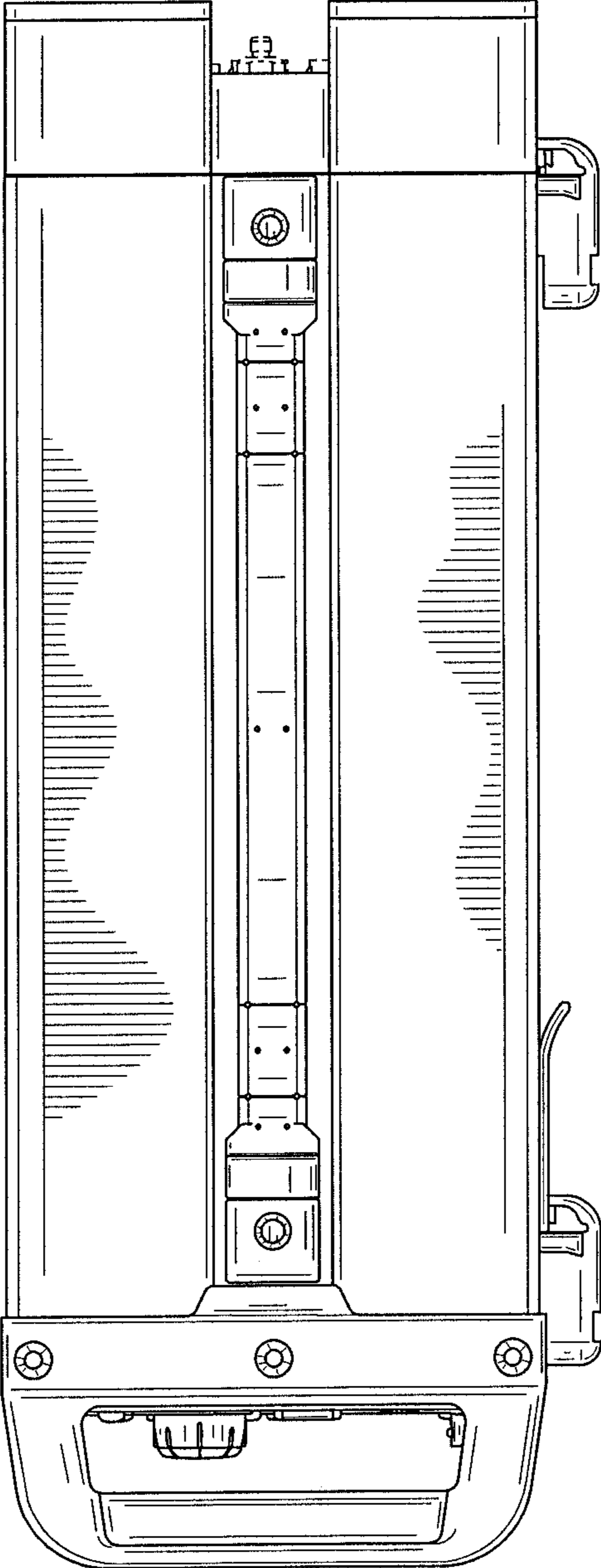


FIG. 4

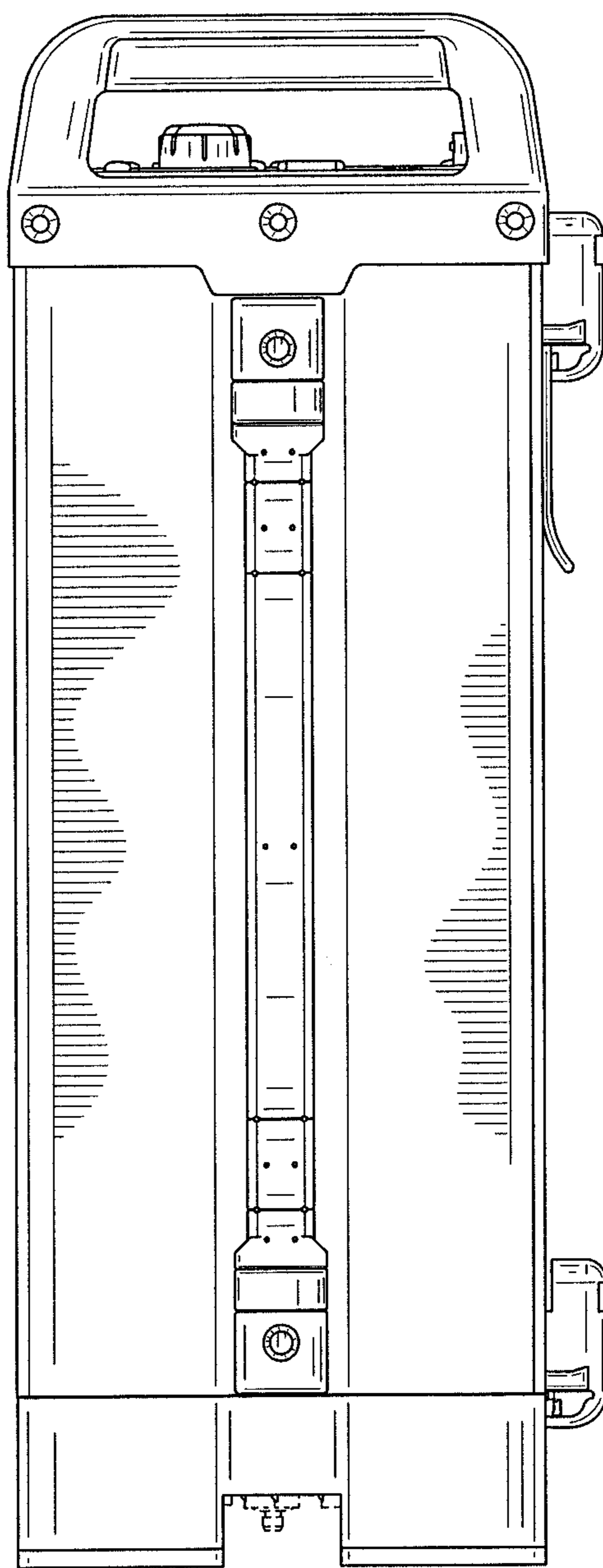


FIG. 5

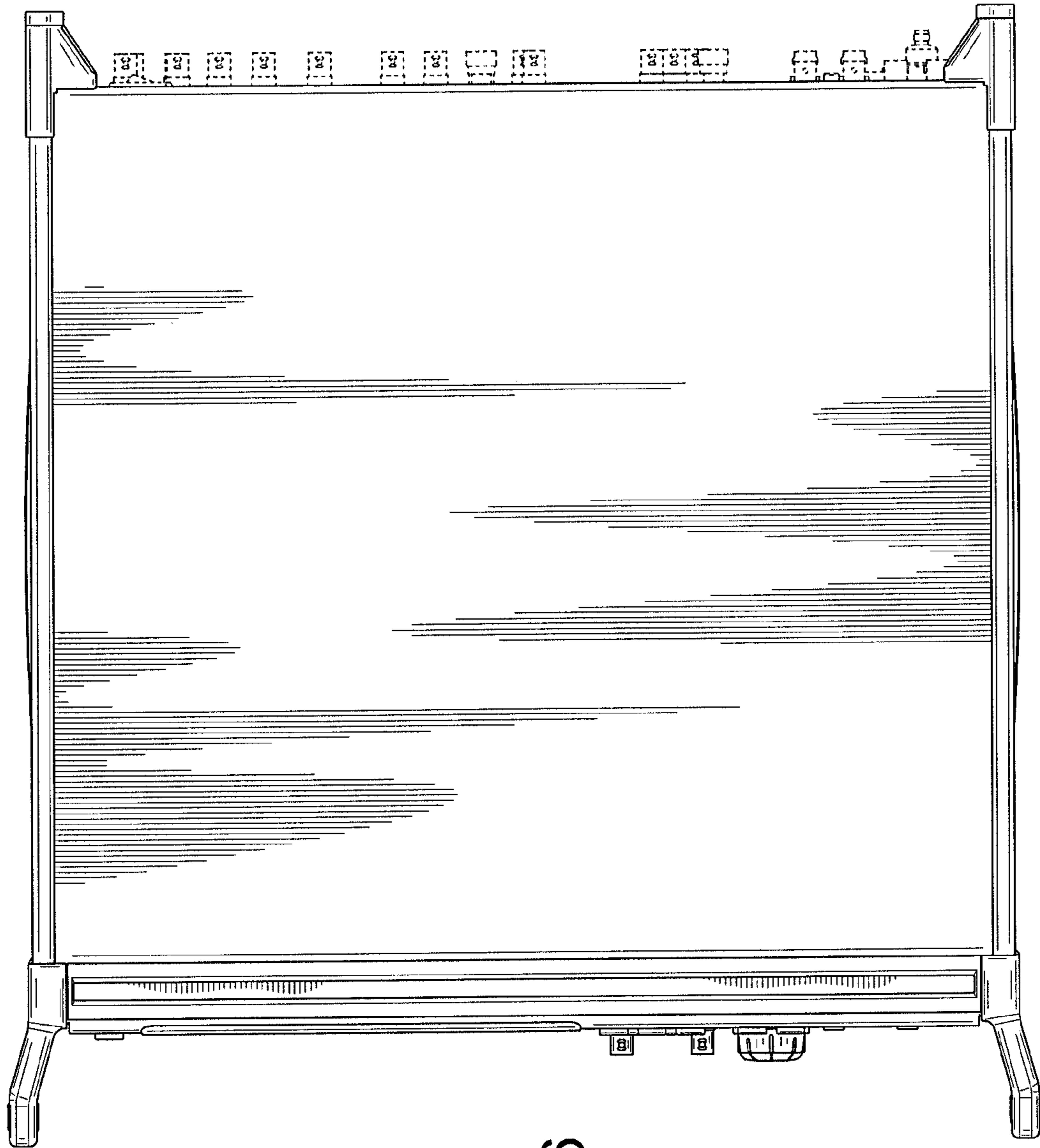


FIG. 6

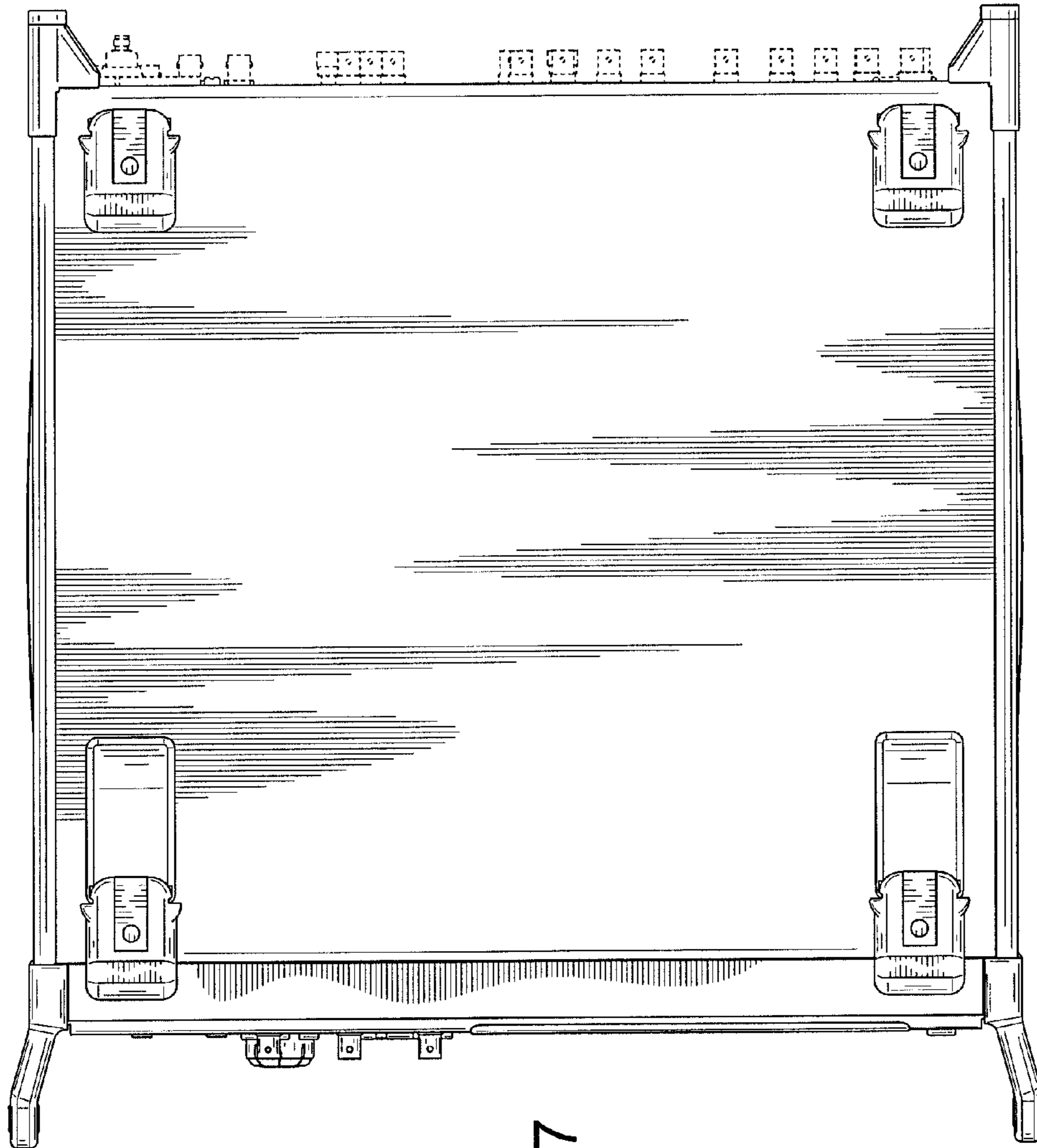


FIG. 7