



US00D703608S

(12) **United States Design Patent**
Kang

(10) **Patent No.:** **US D703,608 S**

(45) **Date of Patent:** **** Apr. 29, 2014**

(54) **TIRE TREAD**

(71) Applicant: **Hankook Tire Co., Ltd.**, Seoul (KR)

(72) Inventor: **Seung Koo Kang**, Seoul (KR)

(73) Assignee: **Hankook Tire Co., Ltd**, Seoul (KR)

(**) Term: **14 Years**

(21) Appl. No.: **29/466,774**

(22) Filed: **Sep. 11, 2013**

(51) **LOC (10) Cl.** **12-15**

(52) **U.S. Cl.**
USPC **D12/556**

(58) **Field of Classification Search**
USPC D12/533-567, 900-901;
152/209.1-209.9, 209.11-209.19,
152/209.21-209.28, 455
See application file for complete search history.

(56) **References Cited**

U.S. PATENT DOCUMENTS

D485,229 S *	1/2004	Murata	D12/556
D491,518 S *	6/2004	Miyabe et al.	D12/556
D507,519 S *	7/2005	Lo	D12/556
D512,014 S *	11/2005	Ishida et al.	D12/556
D522,962 S *	6/2006	Ishida et al.	D12/556
D559,771 S *	1/2008	Robert et al.	D12/556
D588,982 S *	3/2009	Takahashi	D12/556
D588,983 S *	3/2009	Takahashi	D12/556
D606,006 S *	12/2009	Iwai	D12/556

D639,725 S *	6/2011	Graas et al.	D12/556
D642,508 S *	8/2011	Heinen et al.	D12/556
D666,140 S *	8/2012	Choi	D12/556
D695,209 S *	12/2013	Yasunaga	D12/556

* cited by examiner

Primary Examiner — Stacia Cadmus

(74) *Attorney, Agent, or Firm* — Hamre, Schumann, Mueller & Larson, P.C.

(57) **CLAIM**

The ornamental design for a tire tread, as shown and described.

DESCRIPTION

FIG. 1 is a perspective view of a tire tread showing my new design, it being understood that the pattern is repeated uniformly throughout the circumference of the tread;
FIG. 2 is a front elevational view thereof;
FIG. 3 is a rear elevational view thereof;
FIG. 4 is a left side view thereof;
FIG. 5 is a right side view thereof;
FIG. 6 is a top plan view thereof;
FIG. 7 is a bottom plan view thereof; and,
FIG. 8 is an enlarged fragmentary view of FIG. 2 from upper A to lower A.

The broken line environmental showing is for illustrative purposes only and forms no part of the claimed design.

1 Claim, 8 Drawing Sheets

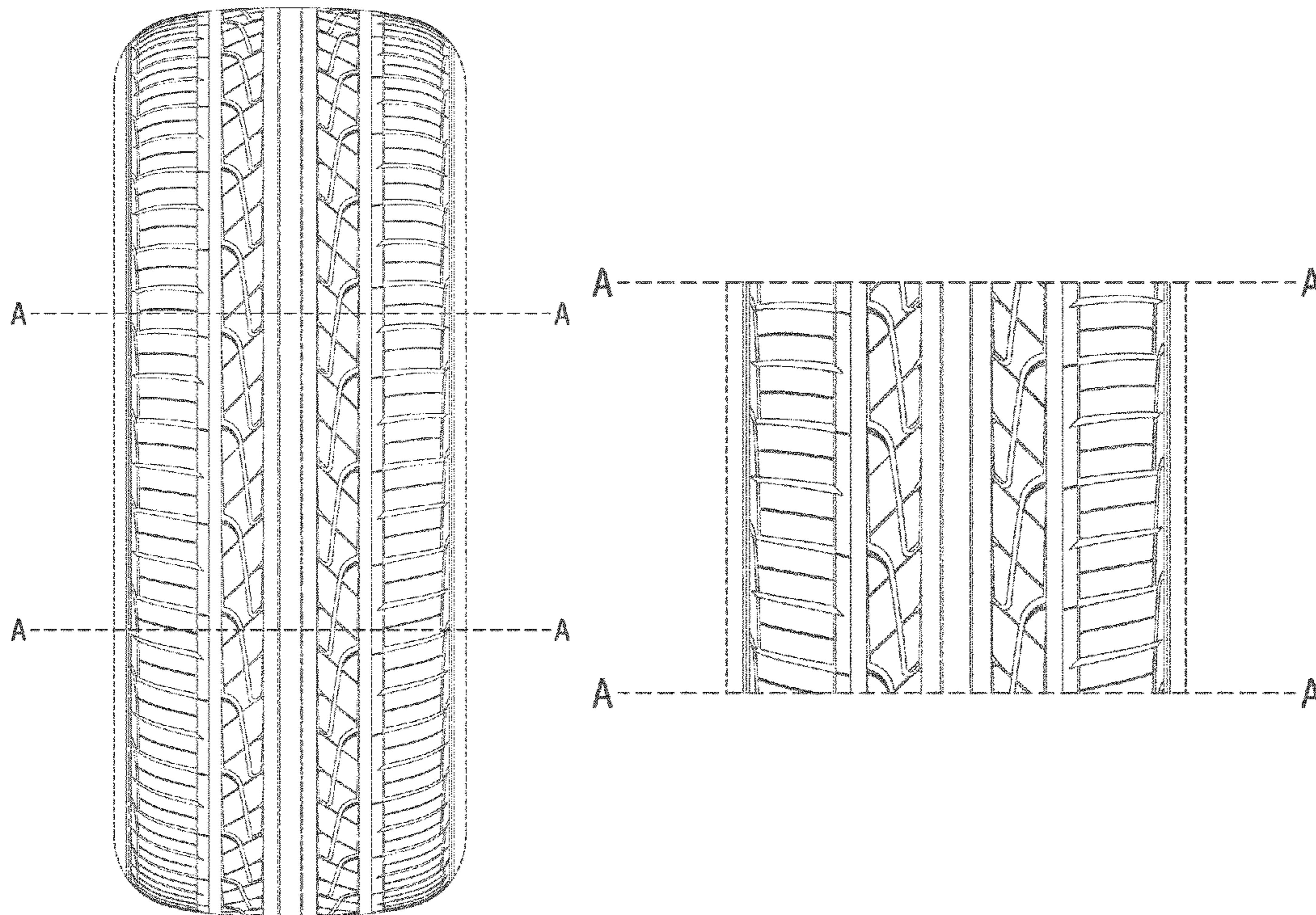


Fig. 1

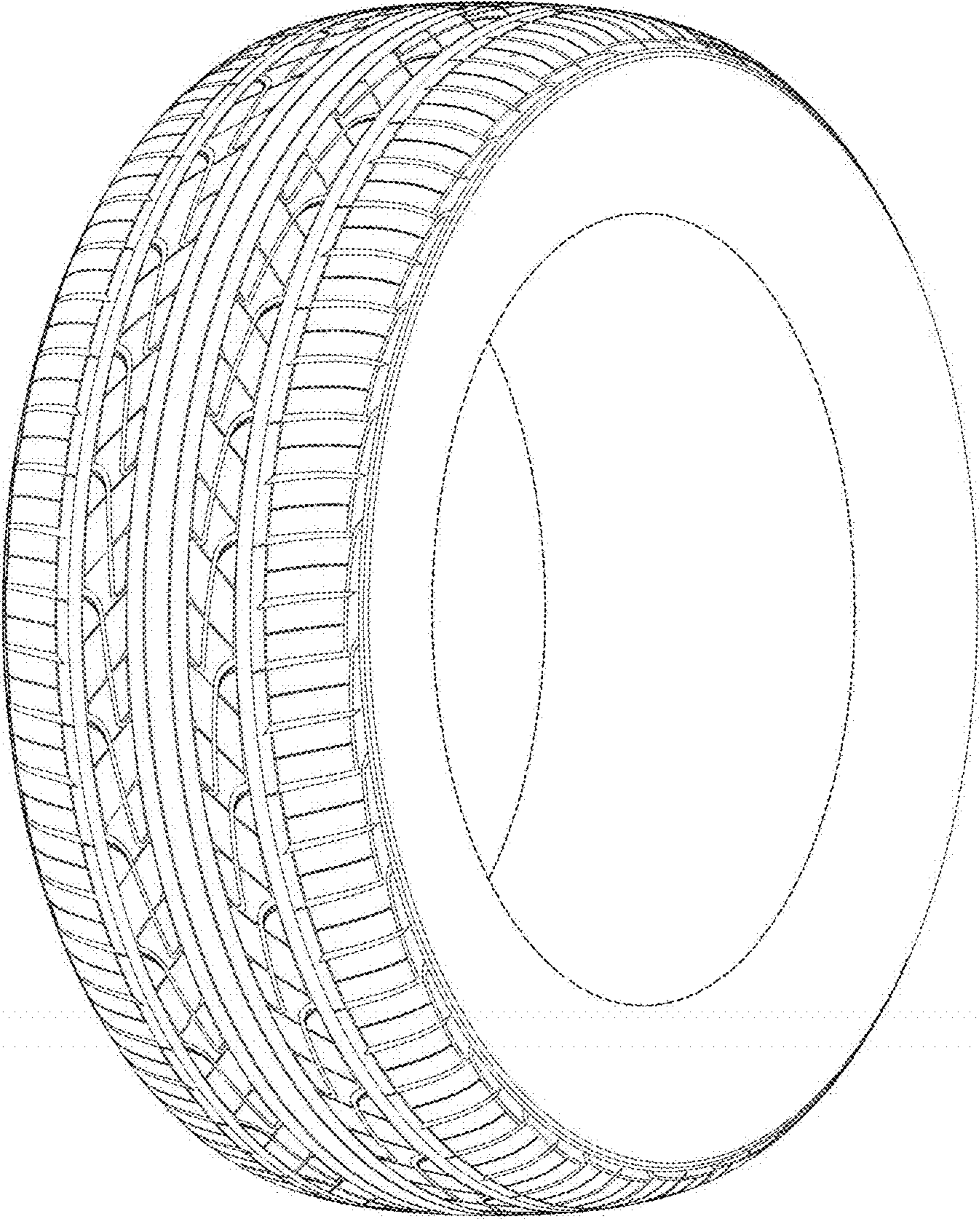


Fig. 2

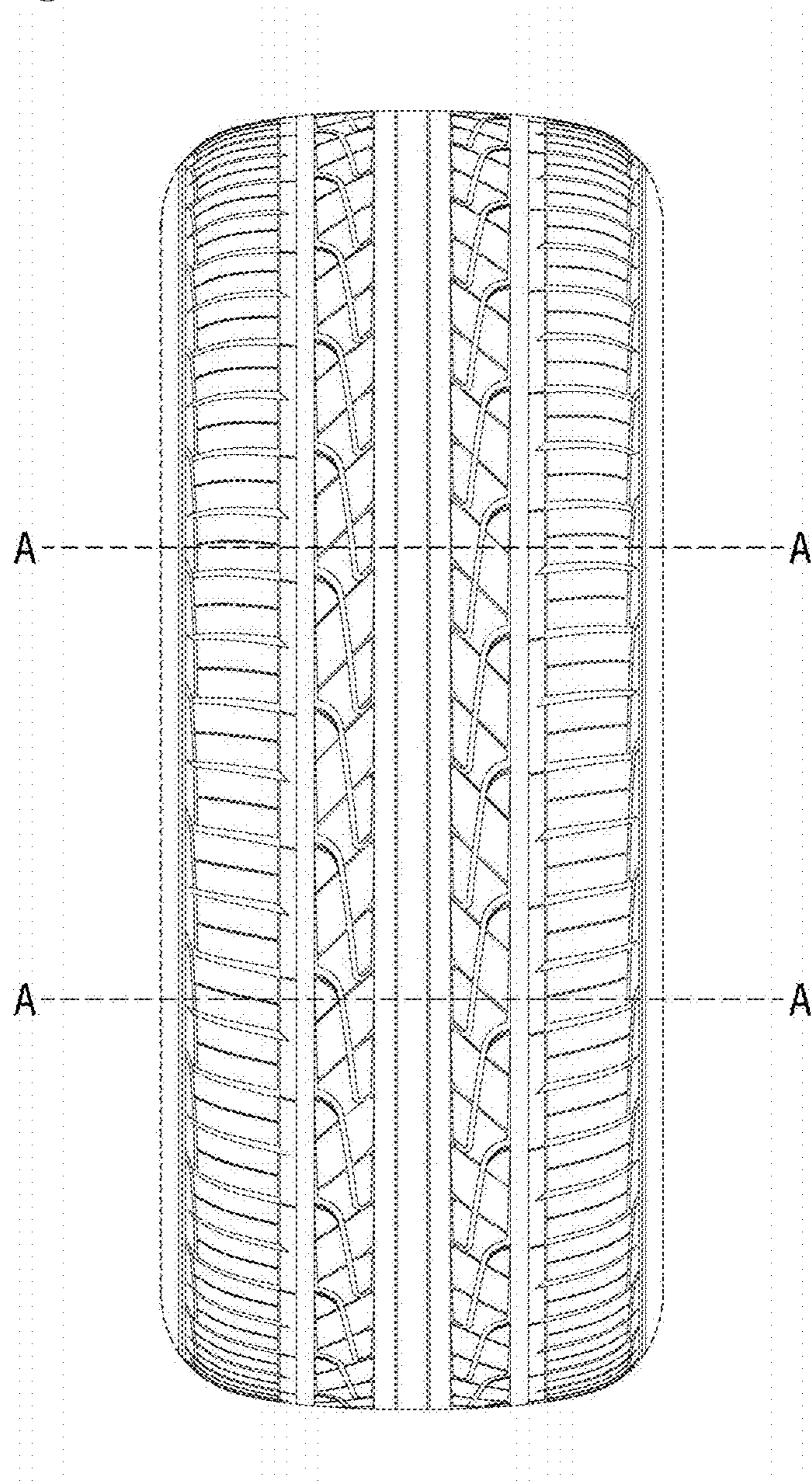


Fig. 3

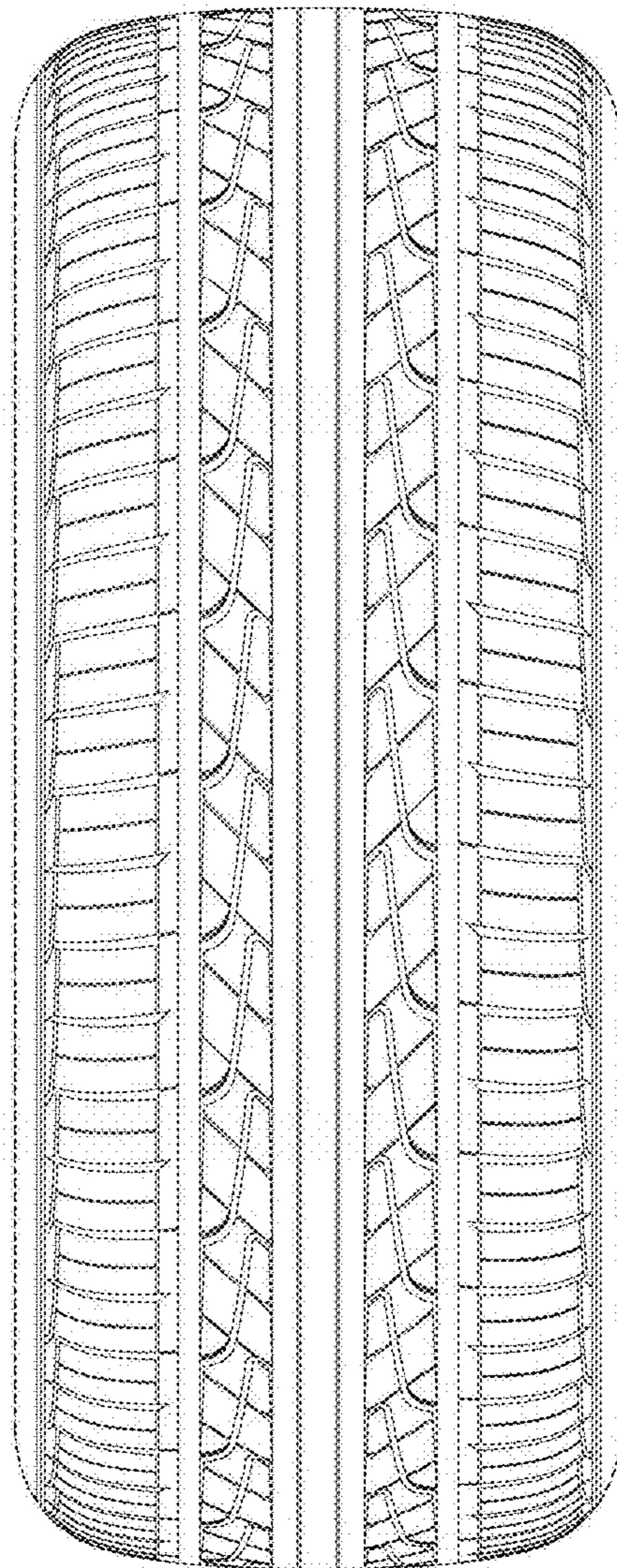


Fig. 4

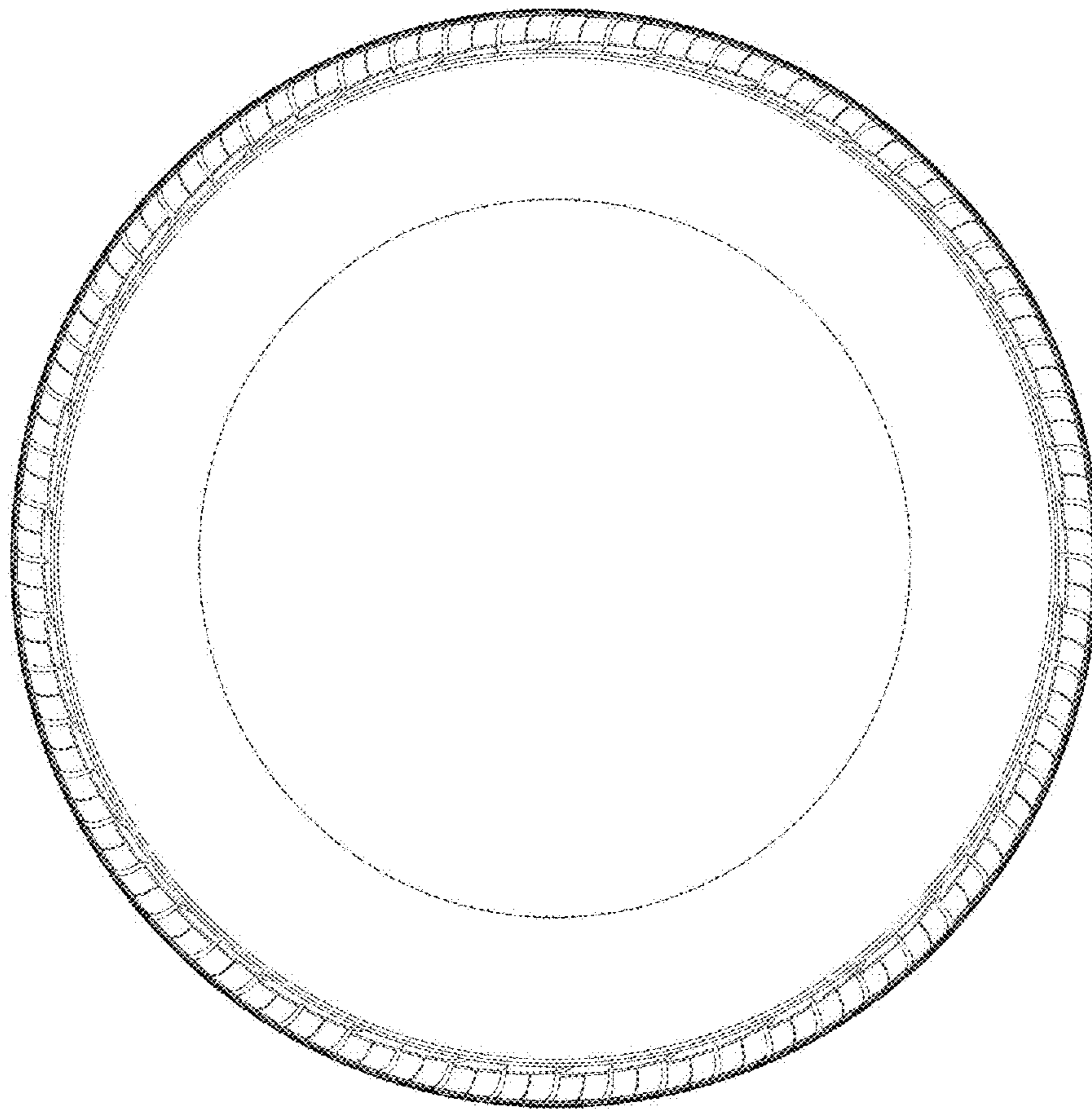


Fig.5

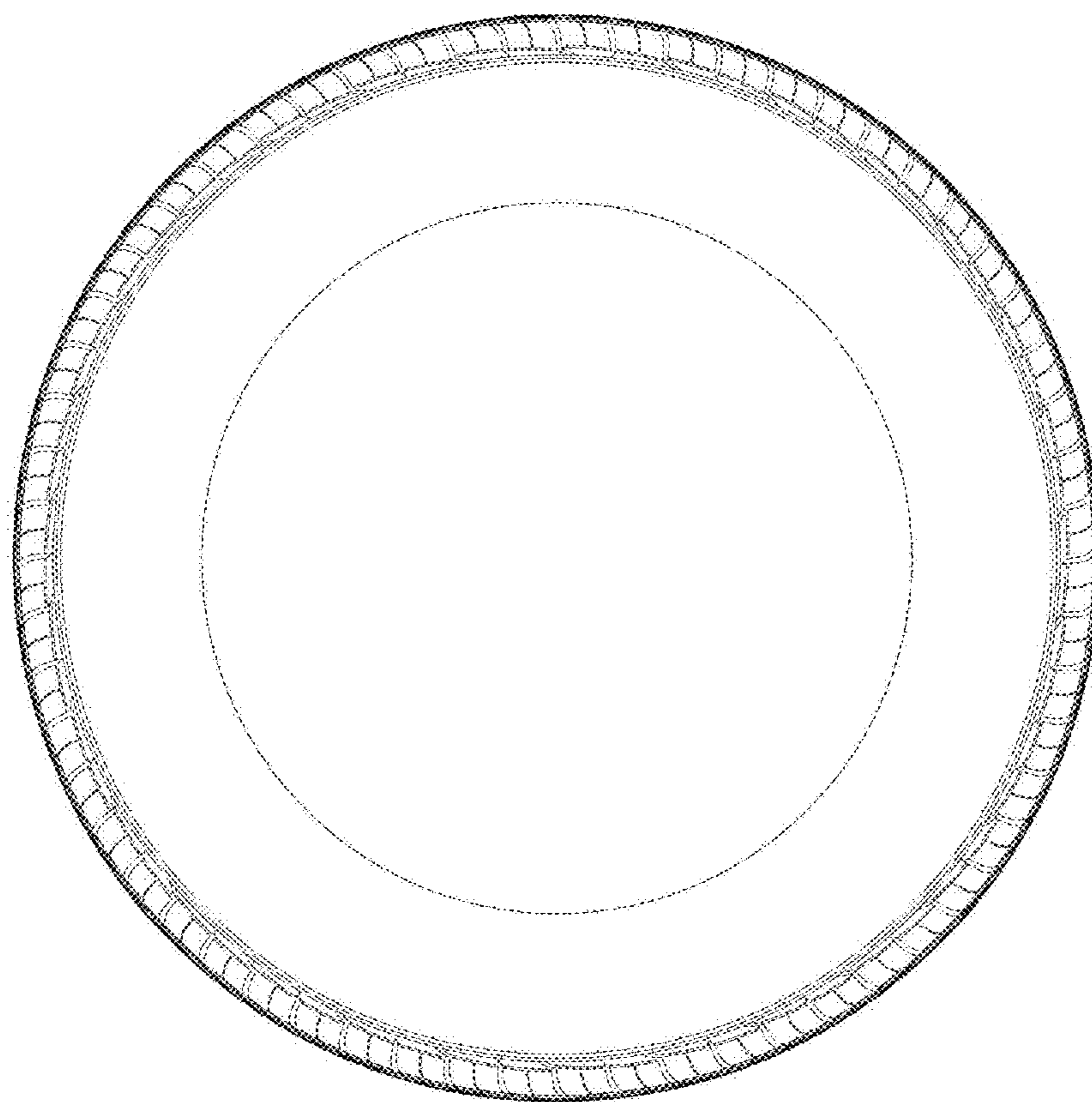


Fig. 6

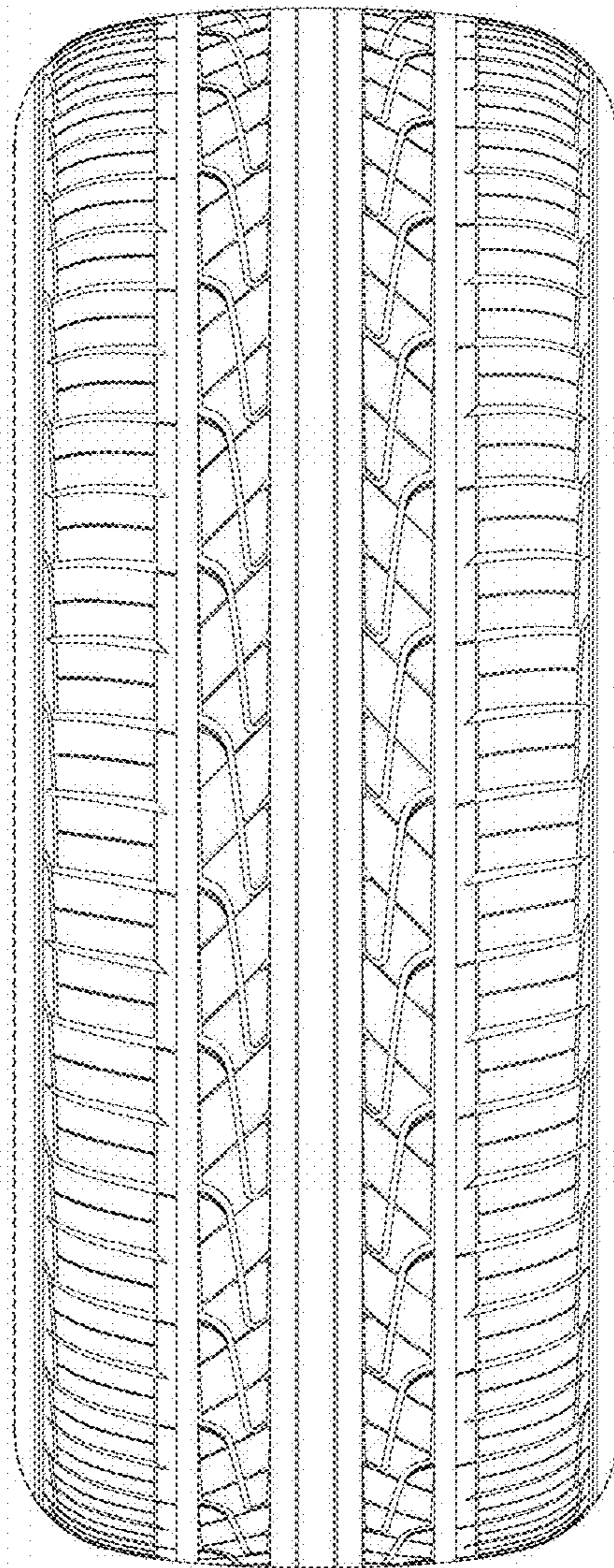


Fig. 7

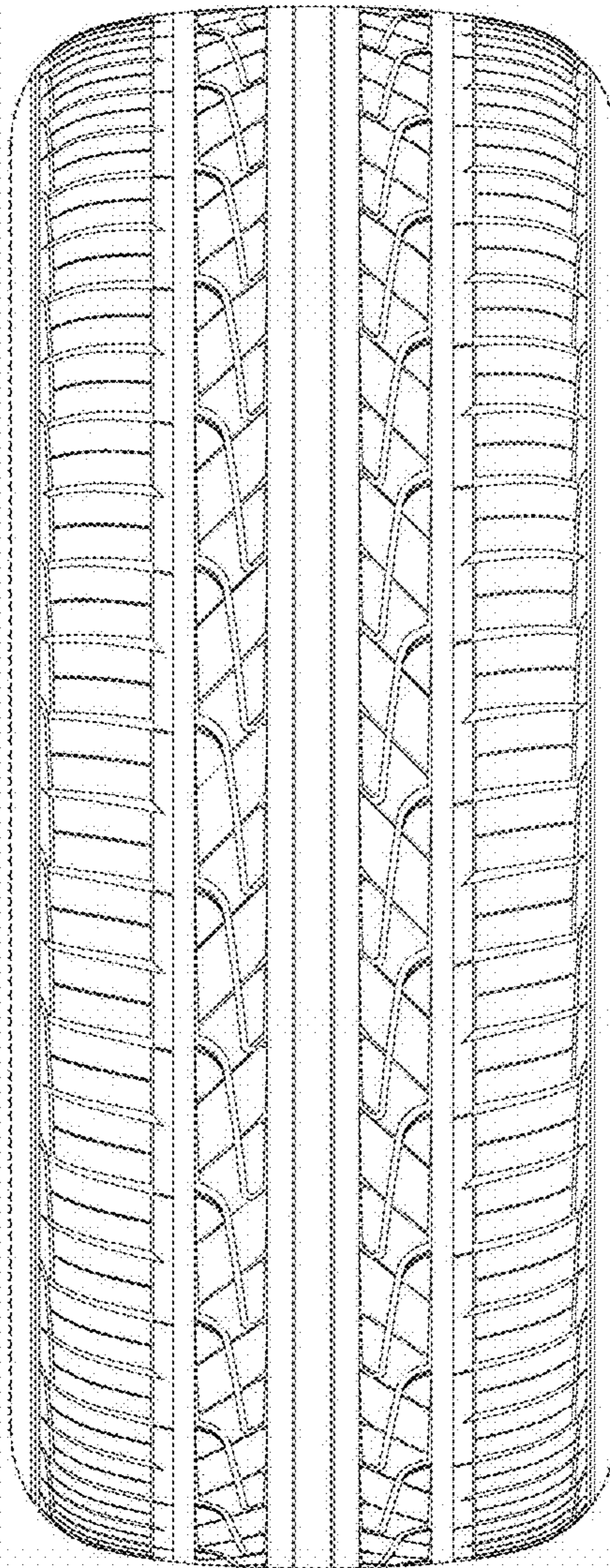


Fig. 8

