



US00D703605S

(12) **United States Design Patent**
Sautter et al.

(10) **Patent No.:** **US D703,605 S**
(45) **Date of Patent:** **** Apr. 29, 2014**

(54) **BICYCLE CARRIER**

4,724,692 A 2/1988 Turin et al.
4,887,754 A 12/1989 Boyer et al.
4,934,572 A 6/1990 Bowman et al.

(71) Applicant: **Yakima Innovation Development Corporation**, Georgetown Grand Cayman, KY (US)

(Continued)

FOREIGN PATENT DOCUMENTS

(72) Inventors: **Chris Sautter**, Portland, OR (US);
David Condon, Wilsonville, OR (US);
James Buckroyd, Portland, OR (US)

WO WO9708017 A1 3/1997
WO WO2009158358 A1 12/2009
WO WO2013040267 A1 3/2013

OTHER PUBLICATIONS

(73) Assignee: **Yakima Innovation Development Corporation**, Georgetown Grand Cayman (KY)

Roof Mounted Bike Racks sold by Bike Racks Plus. [Retrieved on Mar. 27, 2007]. © 2002-2005. Retrieved from the Internet <URL:http://bike-racks-plus.com/RoofMounted Bike Rack.htm>.

(**) Term: **14 Years**

(Continued)

(21) Appl. No.: **29/443,789**

Primary Examiner — Susan E Krakower

(22) Filed: **Jan. 22, 2013**

Assistant Examiner — Linda Brooks

(51) **LOC (10) Cl.** **12-11**

(74) *Attorney, Agent, or Firm* — Kolisch Hartwell, P.C.

(52) **U.S. Cl.**

(57) **CLAIM**

USPC **D12/408**

We claim the ornamental design for a bicycle carrier, as shown and described.

(58) **Field of Classification Search**

DESCRIPTION

USPC D12/408, 406, 407, 412, 414, 414.1;
224/400, 500-511, 309-331, 42.11,
224/42.12, 42, 27, 42.29, 924, 424;
280/202, 304.05; 296/37.1

FIG. 1 is a perspective view of a bicycle carrier constructed in accordance with the present invention.
FIG. 2 is a left side elevation view thereof.
FIG. 3 is a right side elevation view thereof.
FIG. 4 is a top plan view thereof.
FIG. 5 is a bottom plan view thereof.
FIG. 6 is a front elevation view thereof; and,
FIG. 7 is a rear elevation view thereof.

See application file for complete search history.

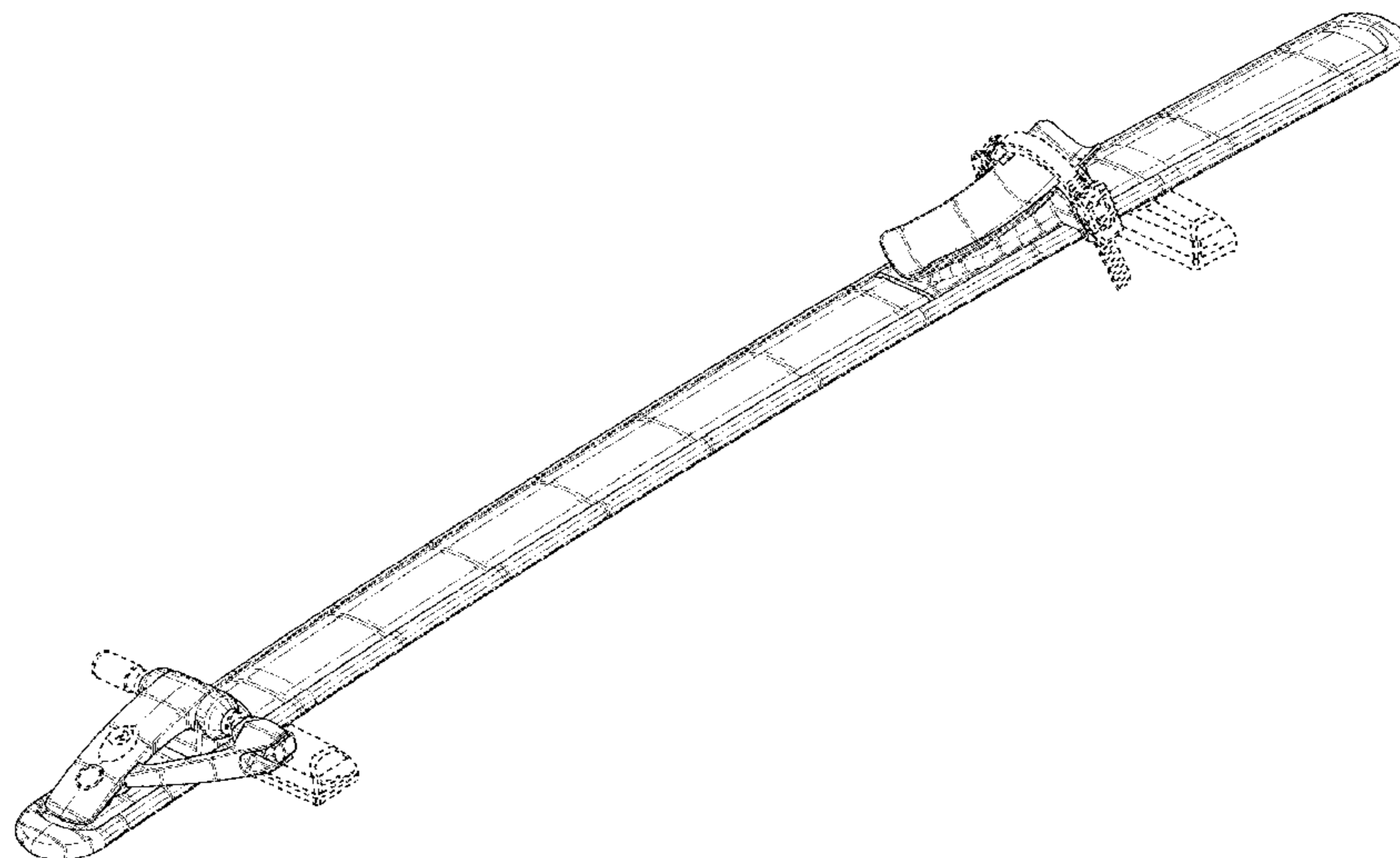
The dashed line(s) shown in the drawings are for illustrative purposes only and form no part of the claimed design.
The stippling and shading lines shown in the drawing(s) represent the approximate three-dimensional contour of the design, and are not intended to indicate surface decoration.
Portions of the bicycle carrier that are not shown in the drawing(s) form no part of the claimed design.

(56) **References Cited**

U.S. PATENT DOCUMENTS

3,239,115 A 3/1966 Bott et al.
3,828,993 A 8/1974 Carter
3,848,784 A 11/1974 Shimano et al.
3,861,533 A 1/1975 Radek
4,114,409 A 9/1978 Scire
4,126,228 A 11/1978 Bala et al.
4,274,569 A 6/1981 Winter et al.
4,616,771 A 10/1986 Heideman
4,629,104 A 12/1986 Jacquet

1 Claim, 4 Drawing Sheets



(56)

References Cited

U.S. PATENT DOCUMENTS

4,964,287 A 10/1990 Gaul
 5,005,390 A 4/1991 Giannini et al.
 5,037,019 A 8/1991 Sokn
 5,042,705 A 8/1991 Johansson
 5,052,605 A 10/1991 Johansson
 5,065,921 A 11/1991 Mobley
 5,118,125 A 6/1992 Plunkett
 5,169,044 A 12/1992 Englander
 5,226,341 A 7/1993 Shores
 5,232,134 A 8/1993 Allen
 5,275,319 A 1/1994 Ruana
 5,291,763 A 3/1994 Cuisinot
 5,492,258 A 2/1996 Brunner
 5,511,894 A 4/1996 Ng
 5,598,959 A 2/1997 Lorensen et al.
 5,709,521 A 1/1998 Glass et al.
 5,875,947 A 3/1999 Noel et al.
 6,062,450 A 5/2000 Noel et al.
 6,460,743 B2 10/2002 Edgerly et al.
 6,561,398 B1 5/2003 Cole et al.
 6,681,971 B2 1/2004 Laverack et al.
 6,736,300 B2 5/2004 Deakin
 6,938,782 B2 9/2005 Dean et al.
 7,004,365 B2 2/2006 Ingram

D561,680 S 2/2008 Foley et al.
 D562,217 S 2/2008 Davis et al.
 D562,218 S * 2/2008 Foley et al. D12/408
 D566,034 S * 4/2008 Davis et al. D12/408
 7,357,283 B2 4/2008 Settelmayer
 7,726,528 B2 6/2010 Foley
 7,757,914 B2 7/2010 Book et al.
 D622,208 S 8/2010 Sautter et al.
 D635,086 S * 3/2011 Shen D12/408
 8,196,789 B2 6/2012 Kraeuter et al.
 8,210,407 B2 7/2012 Sautter et al.
 2002/0053581 A1 5/2002 Peschmann et al.
 2002/0125282 A1 9/2002 Laverack et al.
 2006/0060622 A1 3/2006 Prenger
 2006/0249466 A1 11/2006 Wang
 2007/0119887 A1 5/2007 Foley
 2010/0078454 A1 4/2010 Sautter et al.
 2011/0139841 A1 6/2011 Sautter et al.
 2011/0290836 A1 * 12/2011 Shen 224/319

OTHER PUBLICATIONS

US Receiving Office, International Search Report and Written Opinion of the International Searching Authority relating to PCT Application No. PCT/US2012/055246 dated Jan. 7, 2013, 11 pages.

* cited by examiner

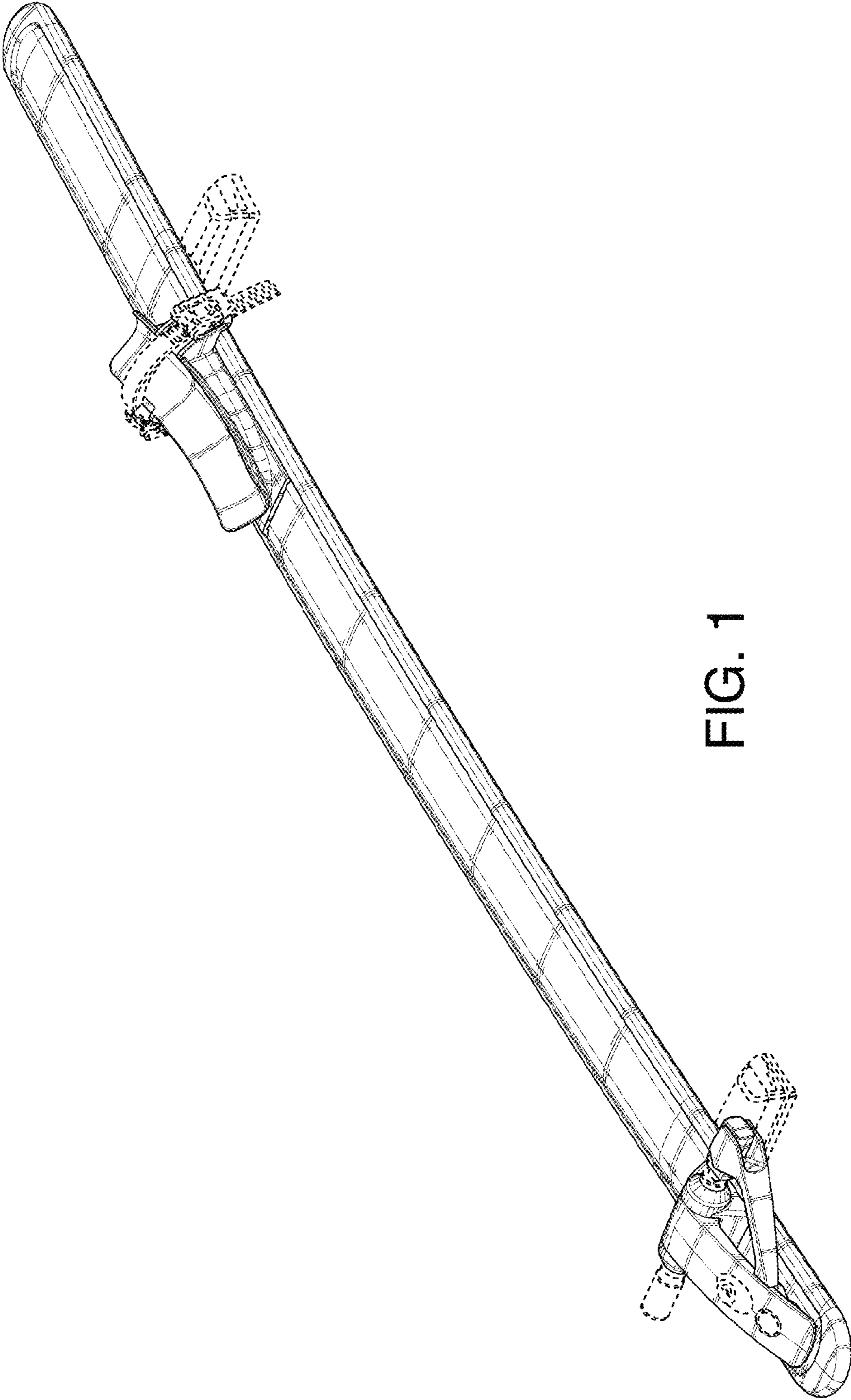


FIG. 1

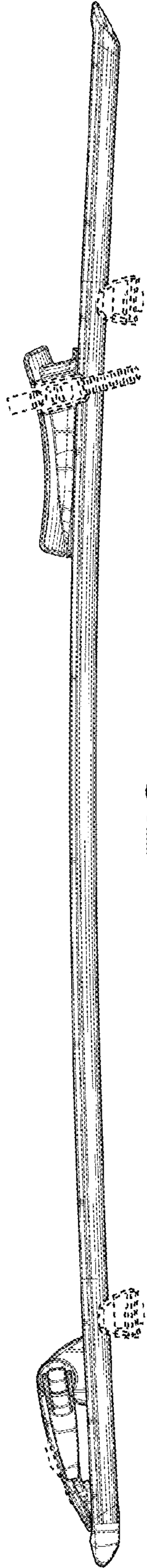


FIG. 2

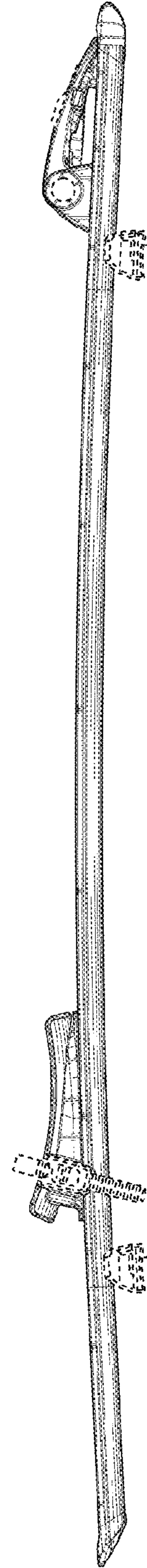


FIG. 3

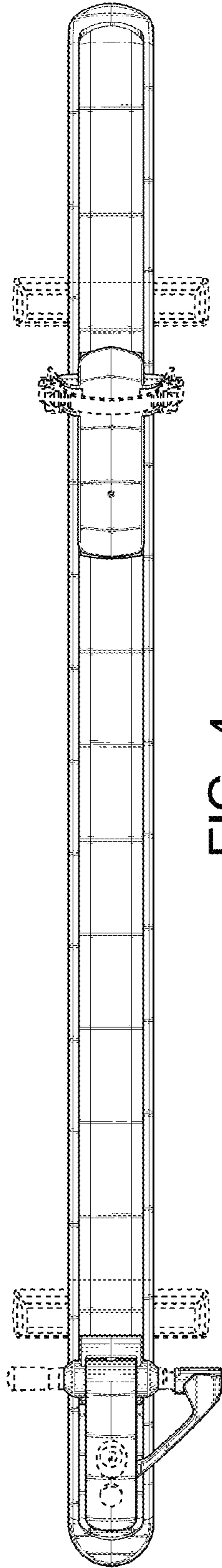


FIG. 4

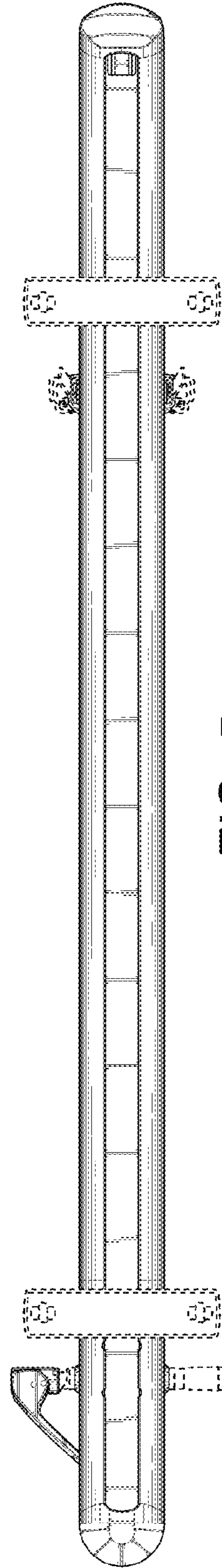


FIG. 5

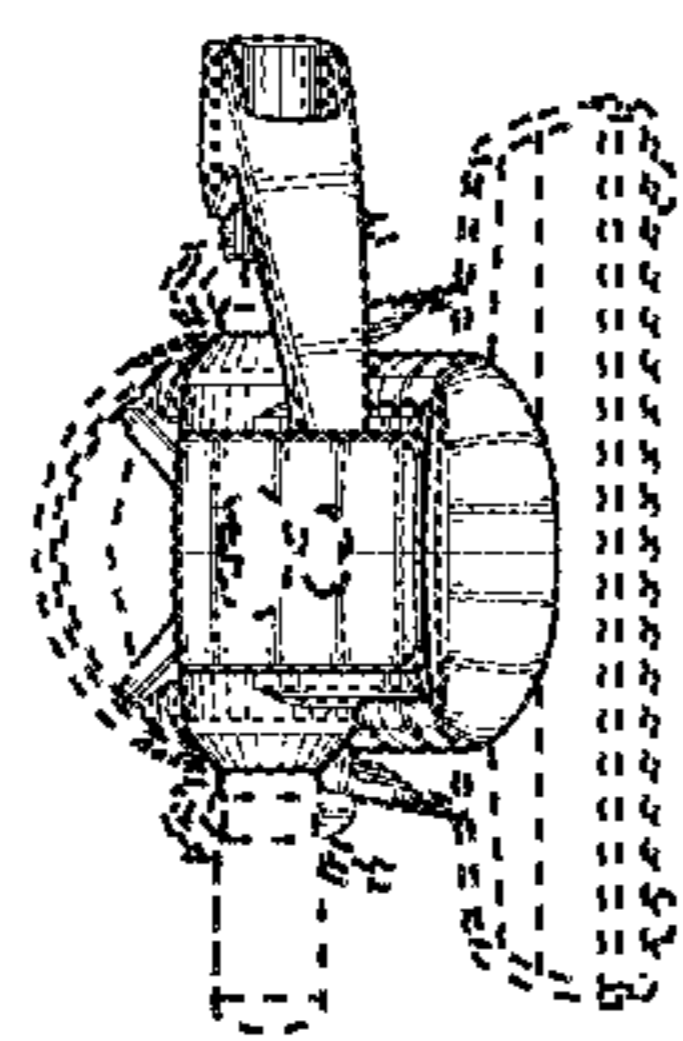


FIG. 6

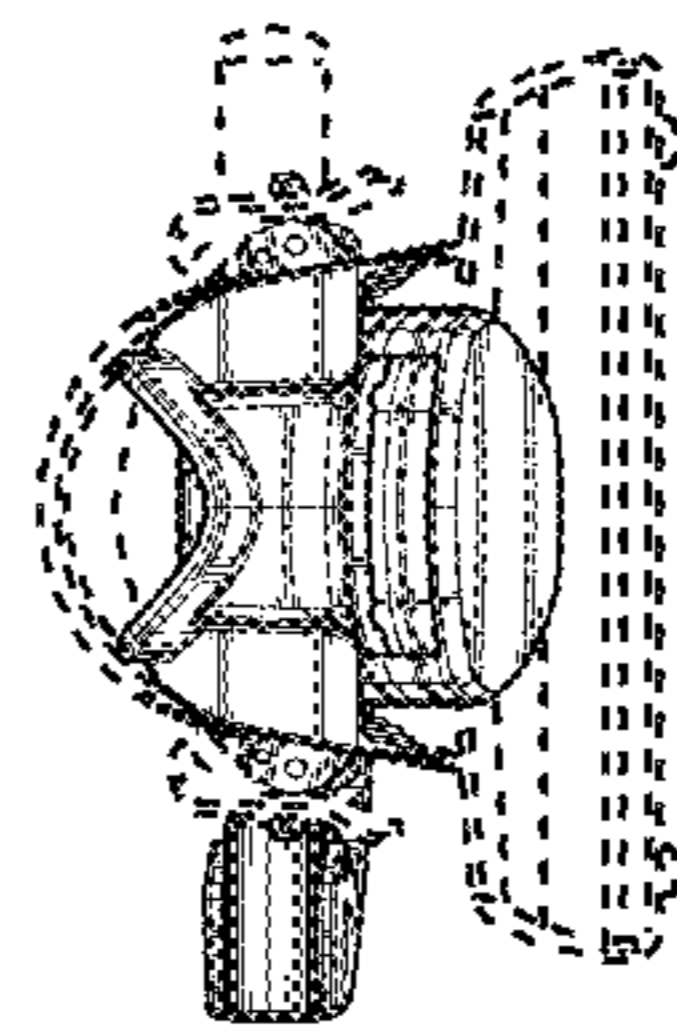


FIG. 7