



US00D703604S

(12) **United States Design Patent**  
**Milicevic et al.**

(10) **Patent No.:** **US D703,604 S**  
(45) **Date of Patent:** **\*\* Apr. 29, 2014**

(54) **VEHICLE WHEEL RIM PROTECTOR**

8,147,004 B2 \* 4/2012 Milicevic et al. .... 301/37.24  
D669,412 S \* 10/2012 Le Grice et al. .... D12/213  
D673,091 S \* 12/2012 Li ..... D12/208

(75) Inventors: **Slobodan Milicevic**, Belgrade (RS);  
**Srdjan Markovic**, Costa Mesa, CA (US)

\* cited by examiner

(73) Assignee: **Slobodan Milicevic**, Costa Mesa, CA  
(US)

*Primary Examiner* — Stacia Cadmus

(74) *Attorney, Agent, or Firm* — Charmasson, Buchaca &  
Leach, LLP

(\*\*) Term: **14 Years**

(21) Appl. No.: **29/407,356**

(57) **CLAIM**

The ornamental design for a vehicle wheel rim protector, as  
shown and described.

(22) Filed: **Nov. 28, 2011**

**Related U.S. Application Data**

**DESCRIPTION**

(63) Continuation-in-part of application No. 12/786,727,  
filed on May 25, 2010, now Pat. No. 8,147,004.

(51) **LOC (10) Cl.** ..... **12-16**

(52) **U.S. Cl.**  
USPC ..... **D12/213**

(58) **Field of Classification Search**  
USPC ..... D12/204–213; 301/37.22–37.24, 37.11  
See application file for complete search history.

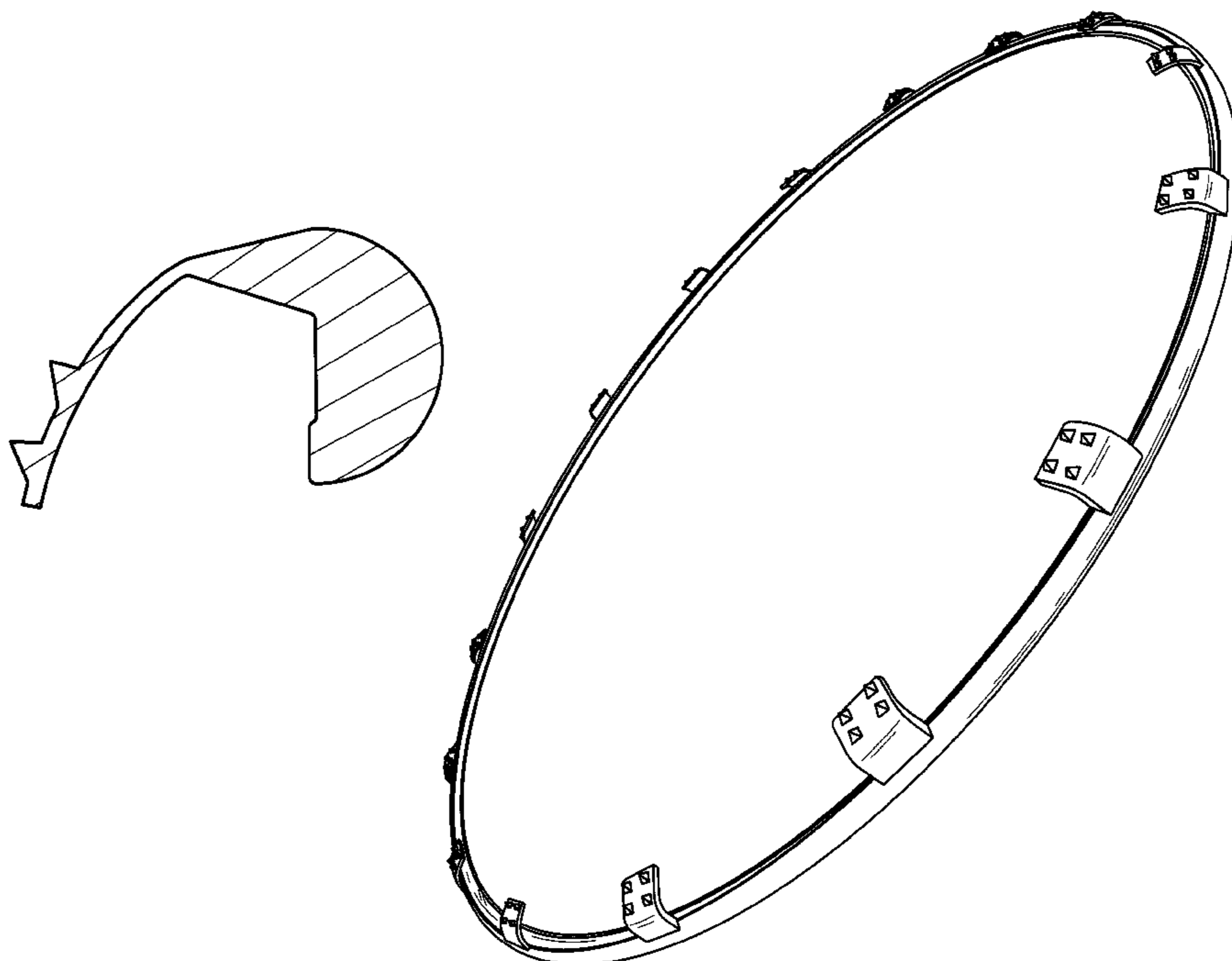
FIG. 1 is a front oblique perspective view of a vehicle wheel rim protector device showing our new design;  
FIG. 2 is a radial cross-sectional side view of a peripheral portion of the device of FIG. 1 taken along line 2-2;  
FIG. 3 is a back oblique perspective view thereof;  
FIG. 4 is a front plan view thereof;  
FIG. 5 is a back plan view thereof; and  
FIG. 6 is a right side plan view thereof, the left side plan view being a mirror image thereof.  
FIG. 7 is a front oblique perspective view of a second embodiment of a vehicle wheel rim protector device showing our new design without claiming the wheel attachment clips;  
FIG. 8 is a radial cross-sectional side view of a peripheral portion of the device of FIG. 7 taken along line 8-8;  
FIG. 9 is a back oblique perspective view thereof;  
FIG. 10 is a front plan view thereof;  
FIG. 11 is a back plan view thereof; and  
FIG. 12 is a right side plan view thereof, the left side plan view being a mirror image thereof.

(56) **References Cited**

**U.S. PATENT DOCUMENTS**

D31,565 S \* 9/1899 McCaslin ..... D12/208  
D31,566 S \* 9/1899 McCaslin ..... D12/208  
2,915,335 A \* 12/1959 Barnes ..... 301/37.22  
5,967,212 A \* 10/1999 Hameed ..... 152/379.4  
D438,830 S \* 3/2001 Schardt ..... D12/208  
D512,011 S \* 11/2005 Tirado ..... D12/213  
7,296,860 B2 \* 11/2007 Dangleman ..... 301/37.24  
D569,779 S \* 5/2008 Ireland ..... D12/213  
7,537,289 B2 \* 5/2009 Diko ..... 301/37.24  
D593,473 S \* 6/2009 Fournier et al. .... D12/207

**1 Claim, 6 Drawing Sheets**



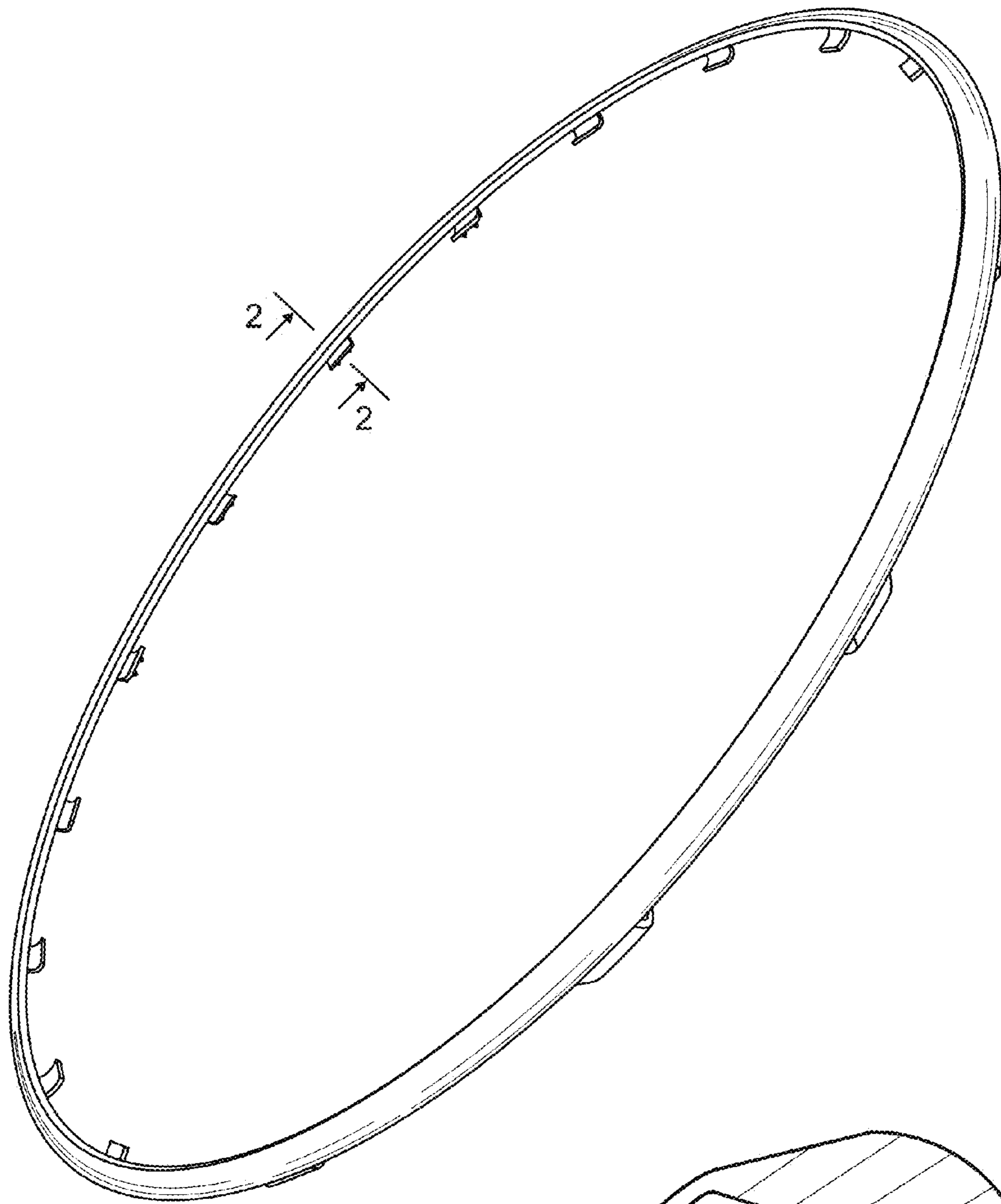


FIG. 1

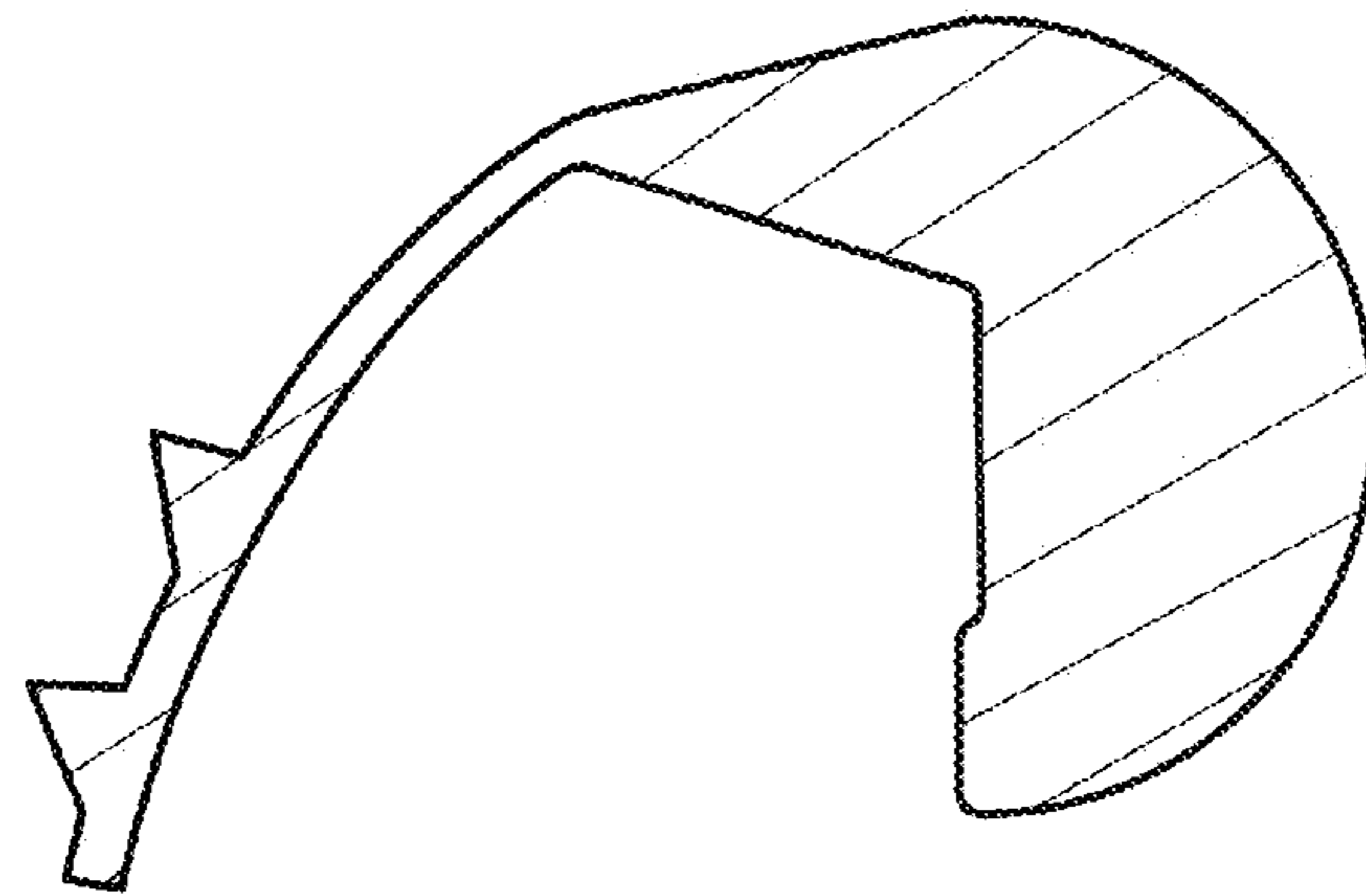


FIG. 2

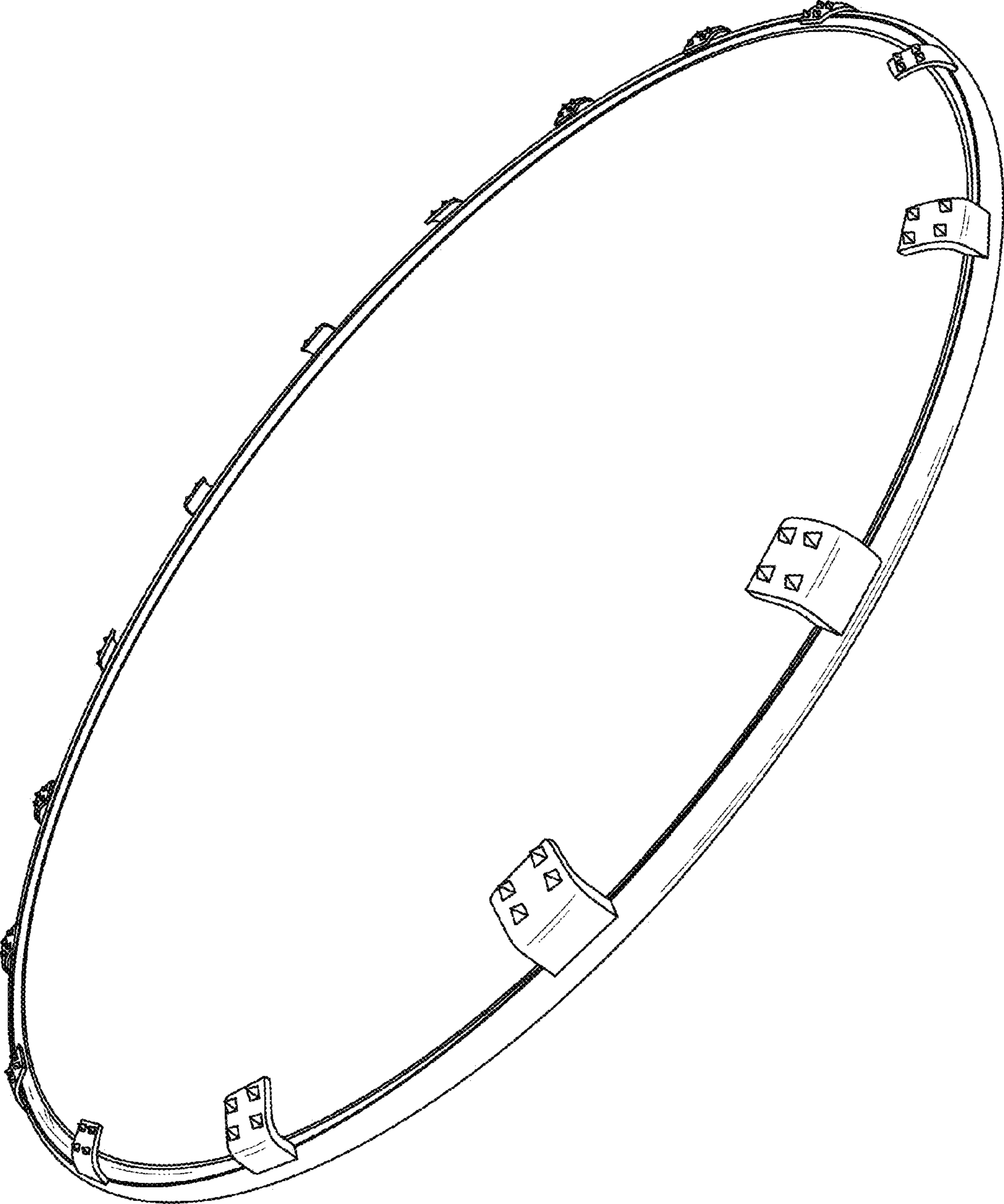


FIG. 3

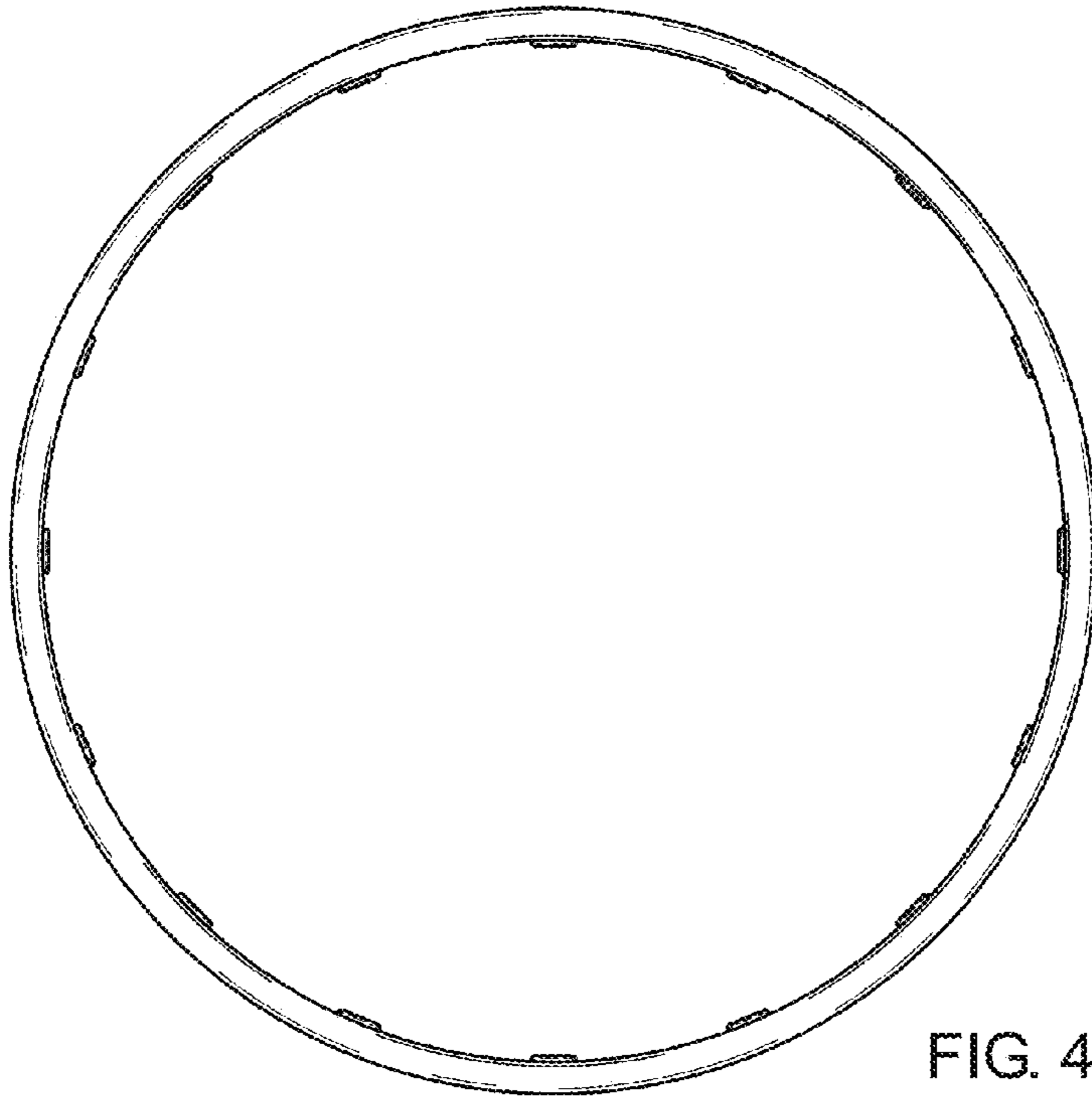


FIG. 4

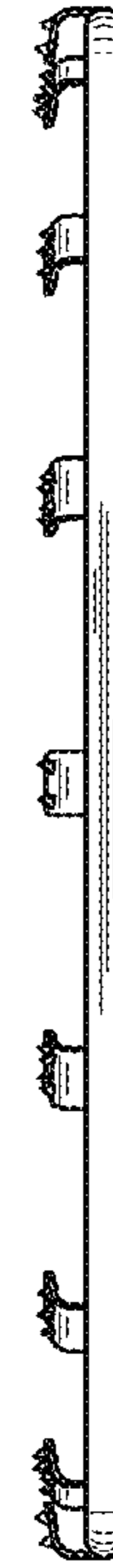


FIG. 6

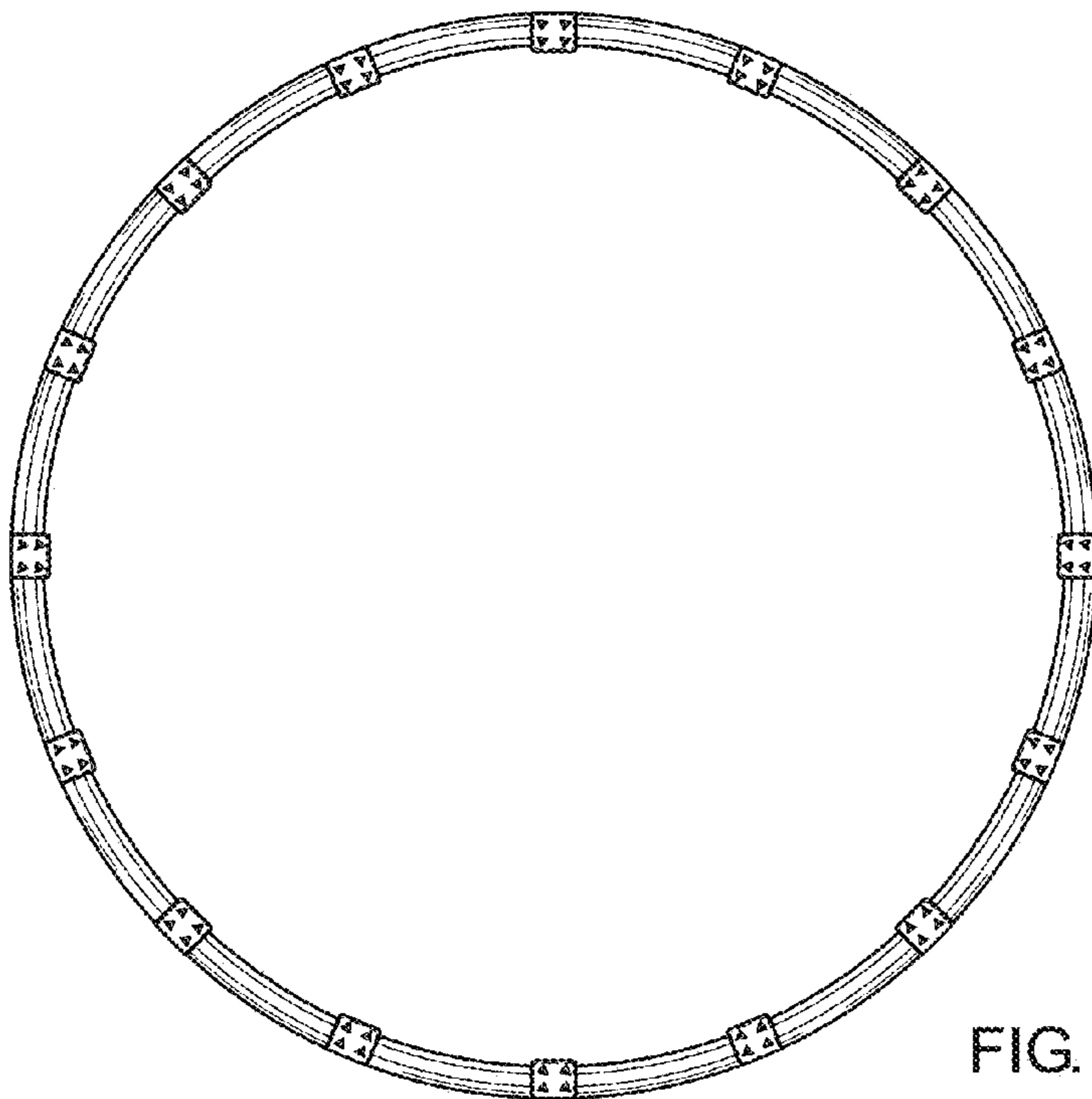


FIG. 5

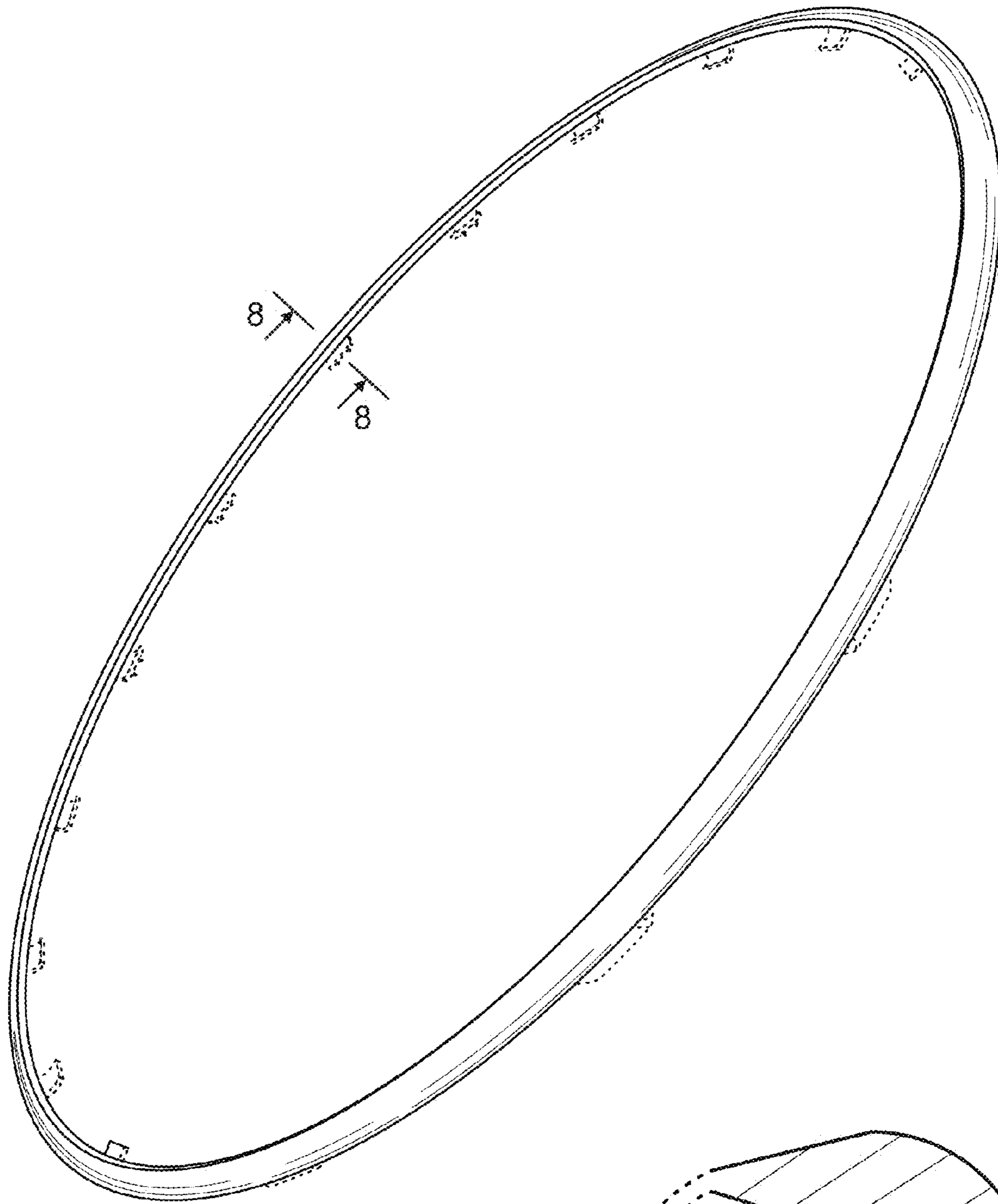


FIG. 7

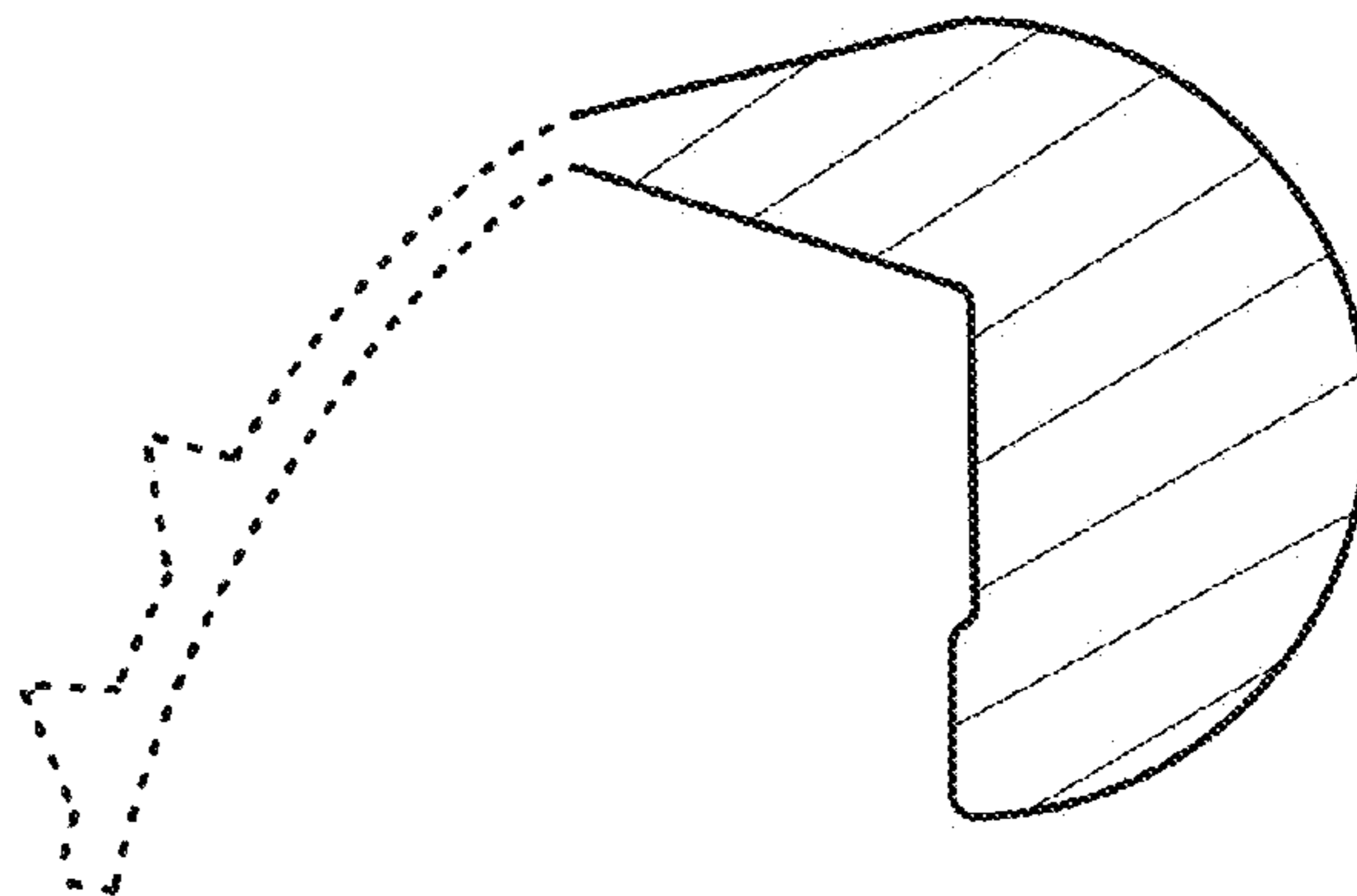


FIG. 8

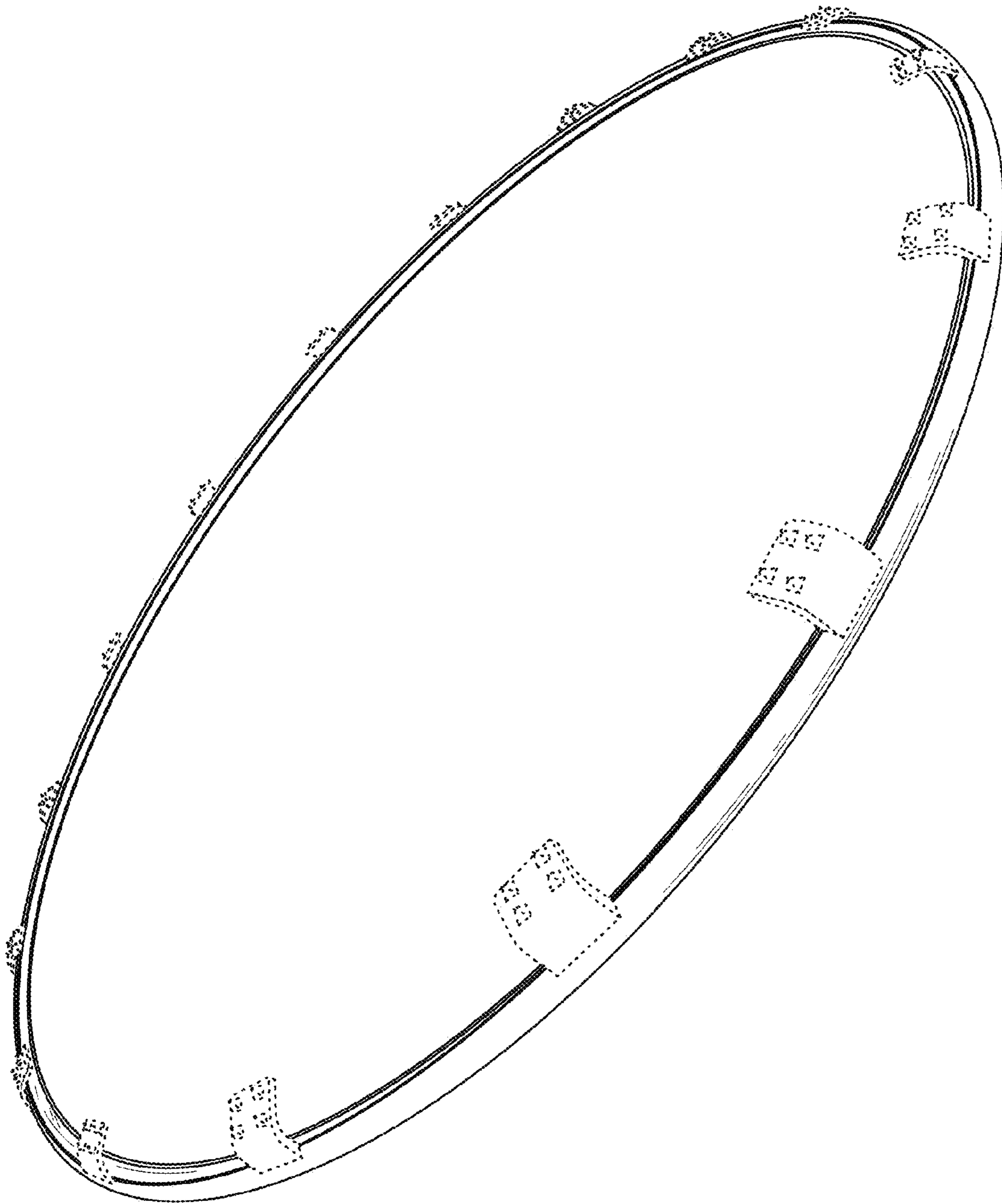


FIG. 9

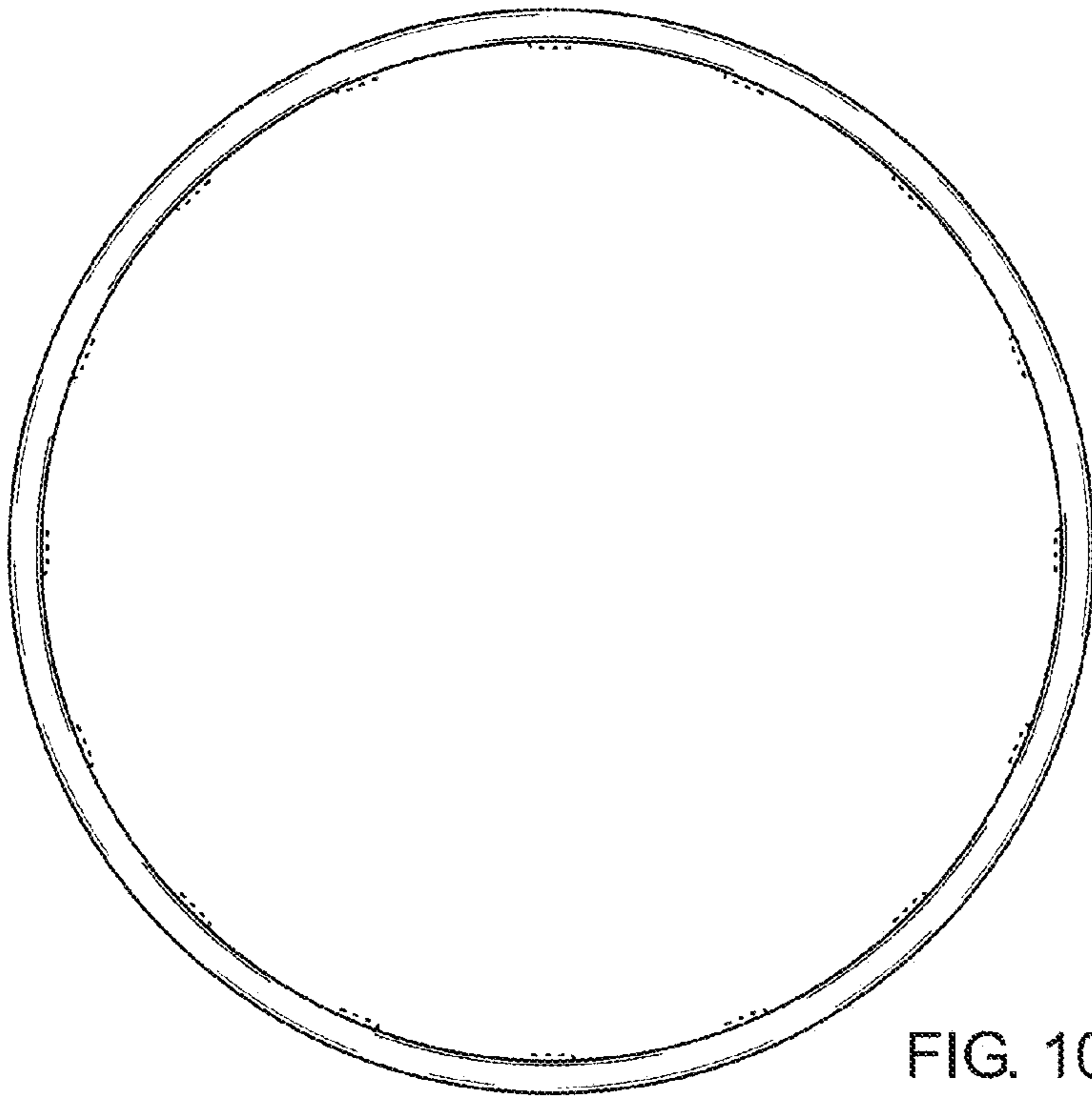


FIG. 10

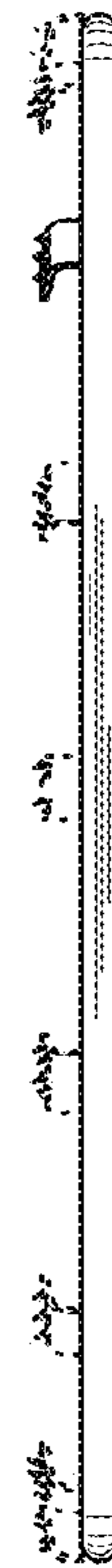


FIG. 12

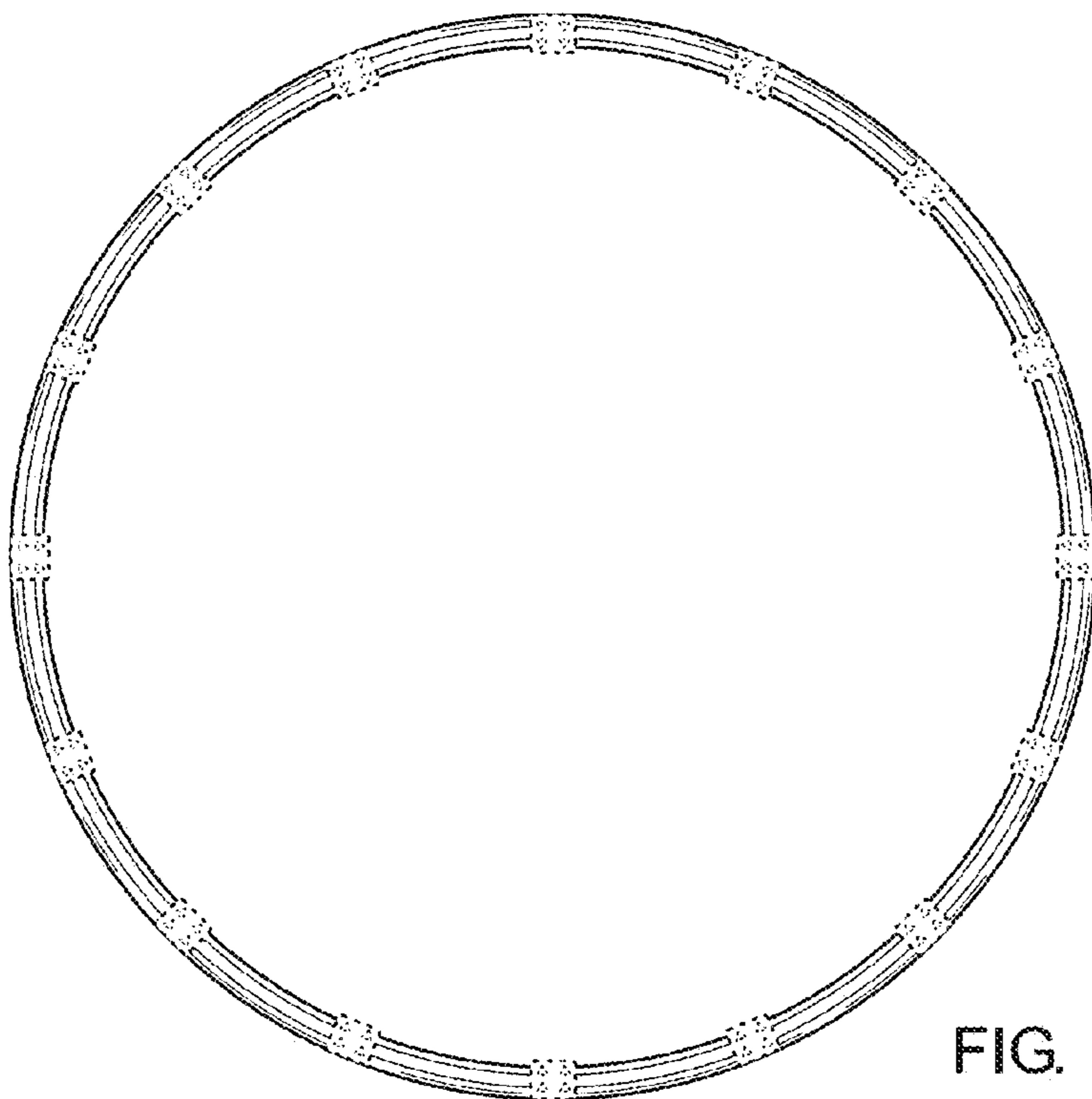


FIG. 11