



(12) **United States Design Patent**  
**Kern**

(10) **Patent No.:** **US D703,602 S**  
(45) **Date of Patent:** **\*\* Apr. 29, 2014**

- (54) **FRONT FACE OF A VEHICLE WHEEL**
- (71) Applicant: **Vossen Wheels**, Miami, FL (US)
- (72) Inventor: **Steven Kern**, Miami Beach, FL (US)
- (73) Assignee: **Vossen Wheels**, Miami, FL (US)
- (\*\*) Term: **14 Years**
- (21) Appl. No.: **29/468,591**
- (22) Filed: **Oct. 1, 2013**

D596,549 S	7/2009	Varga	
D605,999 S	12/2009	Stopp	
D619,073 S	7/2010	Groom	
D622,200 S	8/2010	Zhao	
D630,567 S	1/2011	Ettensberger	
D634,252 S	3/2011	Johnson	
D635,906 S	4/2011	Futschik et al.	
D649,104 S	11/2011	Gallert	
D649,922 S	12/2011	Hans et al.	
D656,078 S	3/2012	Hans et al.	
D656,879 S	4/2012	Gallert	
D659,071 S	5/2012	Hale, Jr.	
D670,633 S	11/2012	Kato et al.	
D676,795 S	2/2013	Wachter	
D685,711 S *	7/2013	Hale, Jr. ....	D12/211
D690,643 S *	10/2013	Kern .....	D12/211

**Related U.S. Application Data**

- (63) Continuation of application No. 29/435,702, filed on Oct. 26, 2012, now Pat. No. Des. 690,643.
- (51) **LOC (10) Cl.** ..... **12-16**
- (52) **U.S. Cl.**  
USPC ..... **D12/211**
- (58) **Field of Classification Search**  
USPC ..... D12/204-213; 301/37.101, 64.101, 65, 301/64.201  
See application file for complete search history.

\* cited by examiner

*Primary Examiner* — Stacia Cadmus

(74) *Attorney, Agent, or Firm* — Berenato & White, LLC

(57) **CLAIM**

The ornamental design for a front face of a vehicle wheel, as shown and described.

**DESCRIPTION**

FIG. 1 is a perspective view of a front face of a vehicle wheel, showing my new design; and, FIG. 2 is a front view thereof. The broken line showing of the rear portion of the wheel, the edge of the rim and the center cap area is included for the purpose of illustrating environment and forms no part of the claimed design.

**1 Claim, 2 Drawing Sheets**

- (56) **References Cited**  
U.S. PATENT DOCUMENTS
- D410,618 S 6/1999 Hussaini et al.
- D515,003 S 2/2006 Echazabal
- D542,211 S 5/2007 Hieke
- D553,550 S 10/2007 Tirado
- D596,100 S 7/2009 Aroney

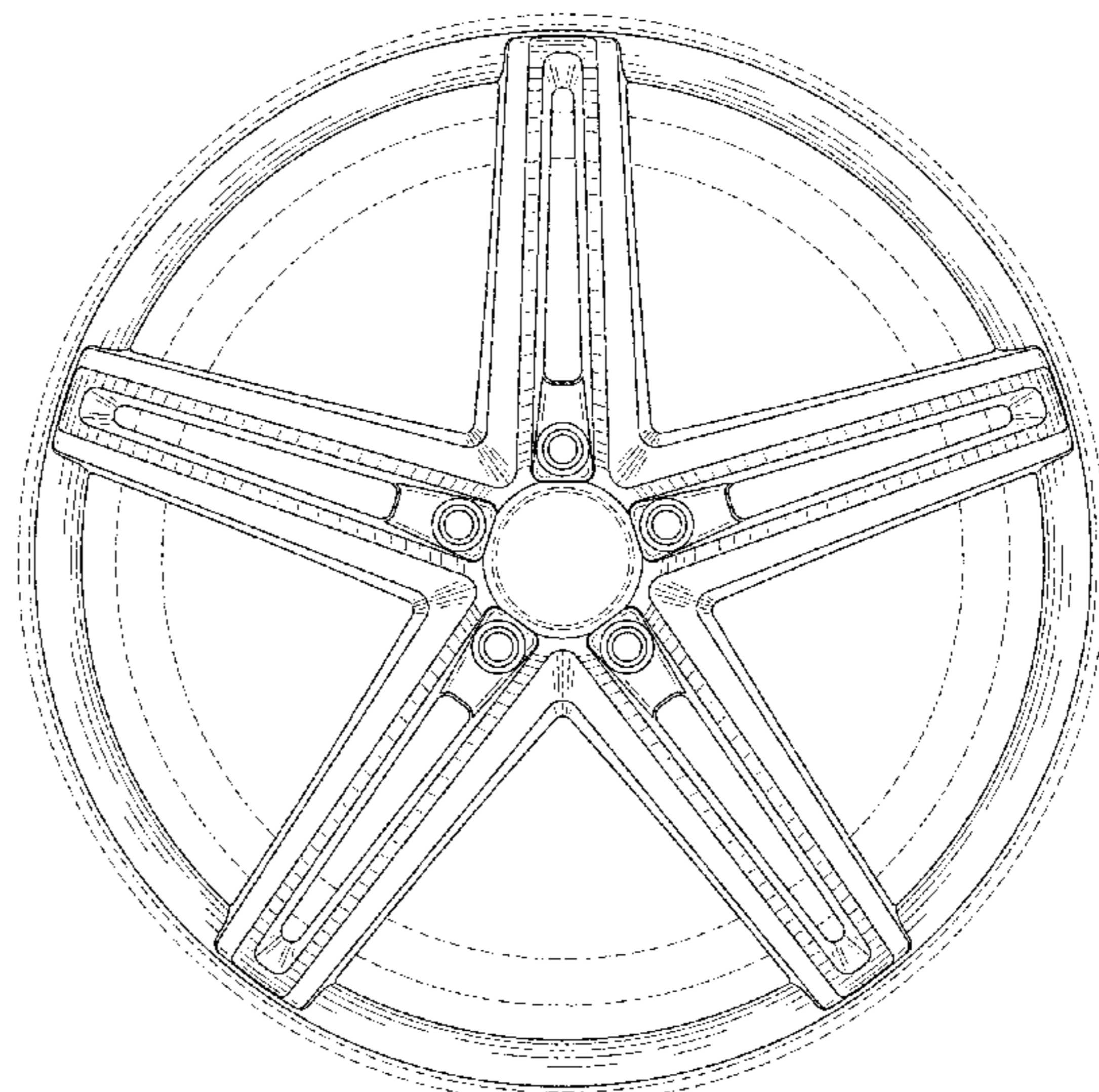
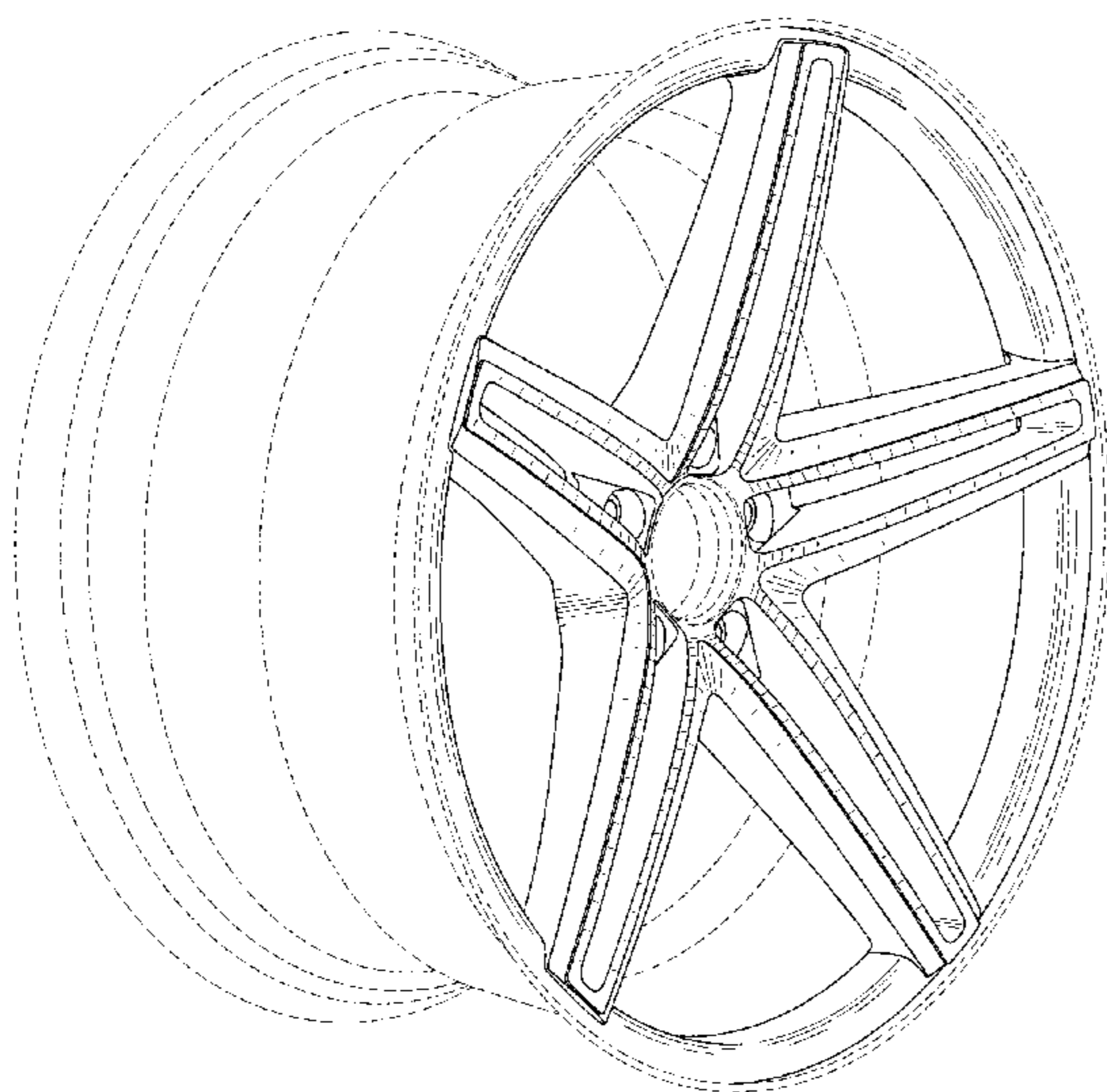


Fig. 1

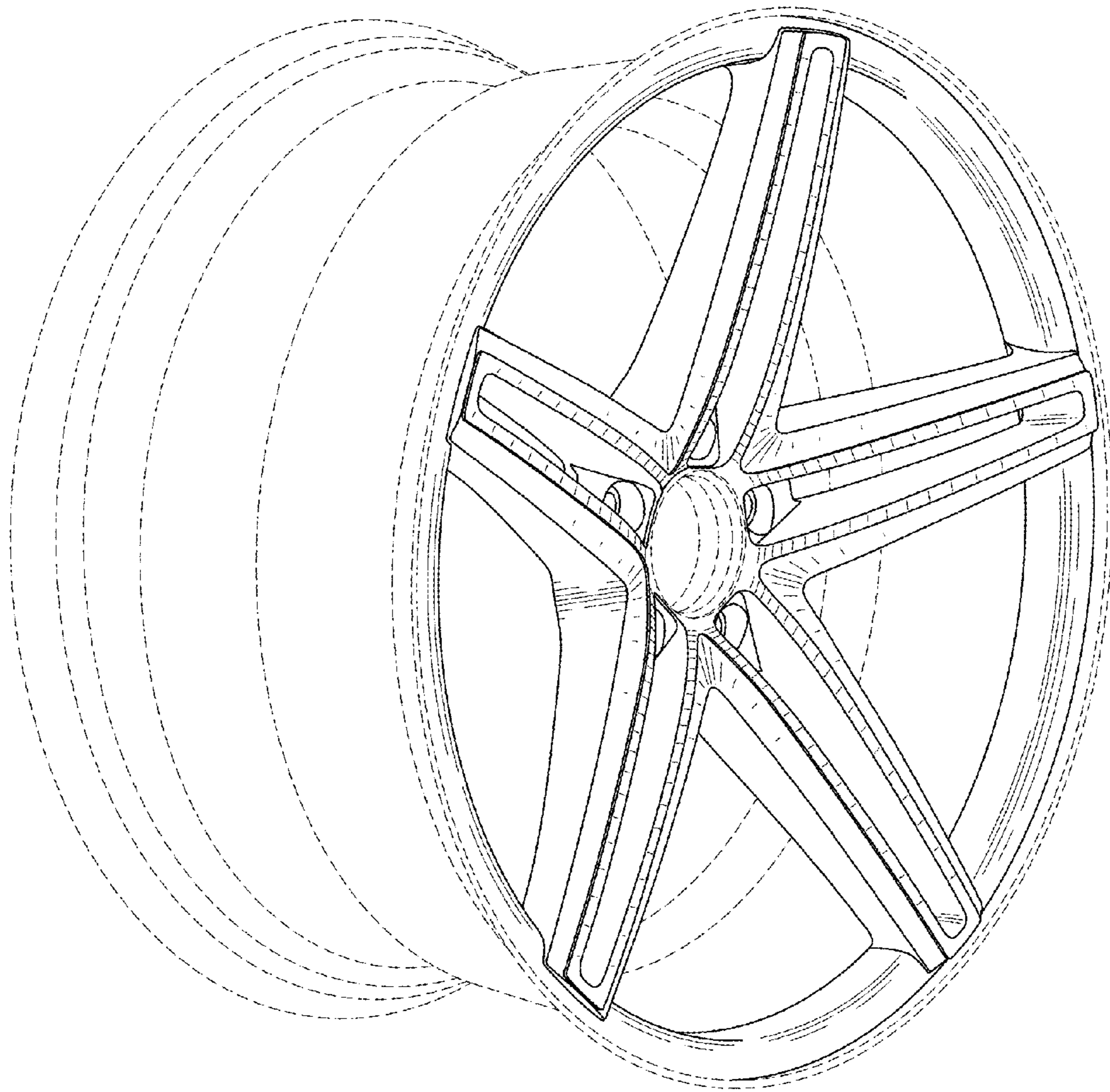




Fig. 2

