



US00D703596S

(12) **United States Design Patent**
Campbell et al.

(10) **Patent No.:** **US D703,596 S**
(45) **Date of Patent:** **** Apr. 29, 2014**

(54) **VEHICLE FENDER**

D672,295 S * 12/2012 Yamada et al. D12/184
D681,523 S * 5/2013 Messale D12/184
D682,171 S * 5/2013 Fuchigami et al. D12/184

(71) Applicant: **Ford Global Technologies, LLC**,
Dearborn, MI (US)

(72) Inventors: **Paul Campbell**, Essex (GB); **Paul Jonathan Alexander Wraith**, Essex (GB); **Simon Collins**, Kent (GB)

(73) Assignee: **Ford Motor Company**, Dearborn, MI (US)

(**) Term: **14 Years**

(21) Appl. No.: **29/436,086**

(22) Filed: **Nov. 1, 2012**

(30) **Foreign Application Priority Data**

May 4, 2012 (DE) 402012100346

(51) **LOC (10) Cl.** **12-16**

(52) **U.S. Cl.**
USPC **D12/184**

(58) **Field of Classification Search**
USPC D12/184, 196, 90-92, 181; 280/152.1, 280/847-849, 851; 296/181.1, 181.5
See application file for complete search history.

(56) **References Cited**

U.S. PATENT DOCUMENTS

D598,346 S * 8/2009 Buduo D12/184
D600,614 S * 9/2009 Lamm D12/184
D613,219 S * 4/2010 Elliott et al. D12/184
D654,413 S * 2/2012 Okumoto D12/184
D658,100 S * 4/2012 Kubo et al. D12/196
D660,214 S * 5/2012 Cartabiano et al. D12/184
D669,405 S * 10/2012 Gifford D12/184

OTHER PUBLICATIONS

Now on Jokeforblog, May 12, 2012 <http://jokeforblog.blogspot.com/2012/05/ford-transit-connect-leaked.html>.
Garage Car 2013 Ford Transit Shows the new generation Tourneo Custom Concept, Mar. 7, 2012 <http://nashvillestories.blogspot.com/2012/03/2013-ford-transit-shows-new-generation.html>.
Ford Unveils All-New 2014 Transit, Transit Connect, Transit Courier Vans, Sep. 6, 2012 <http://rumors.automobilemag.com/ford-unveils-all-new-2013-transit-connect-for-europe-167369.html#axzz2KbpT6e2s>.

(Continued)

Primary Examiner — Melody Brown

(74) *Attorney, Agent, or Firm* — Damian Porcari

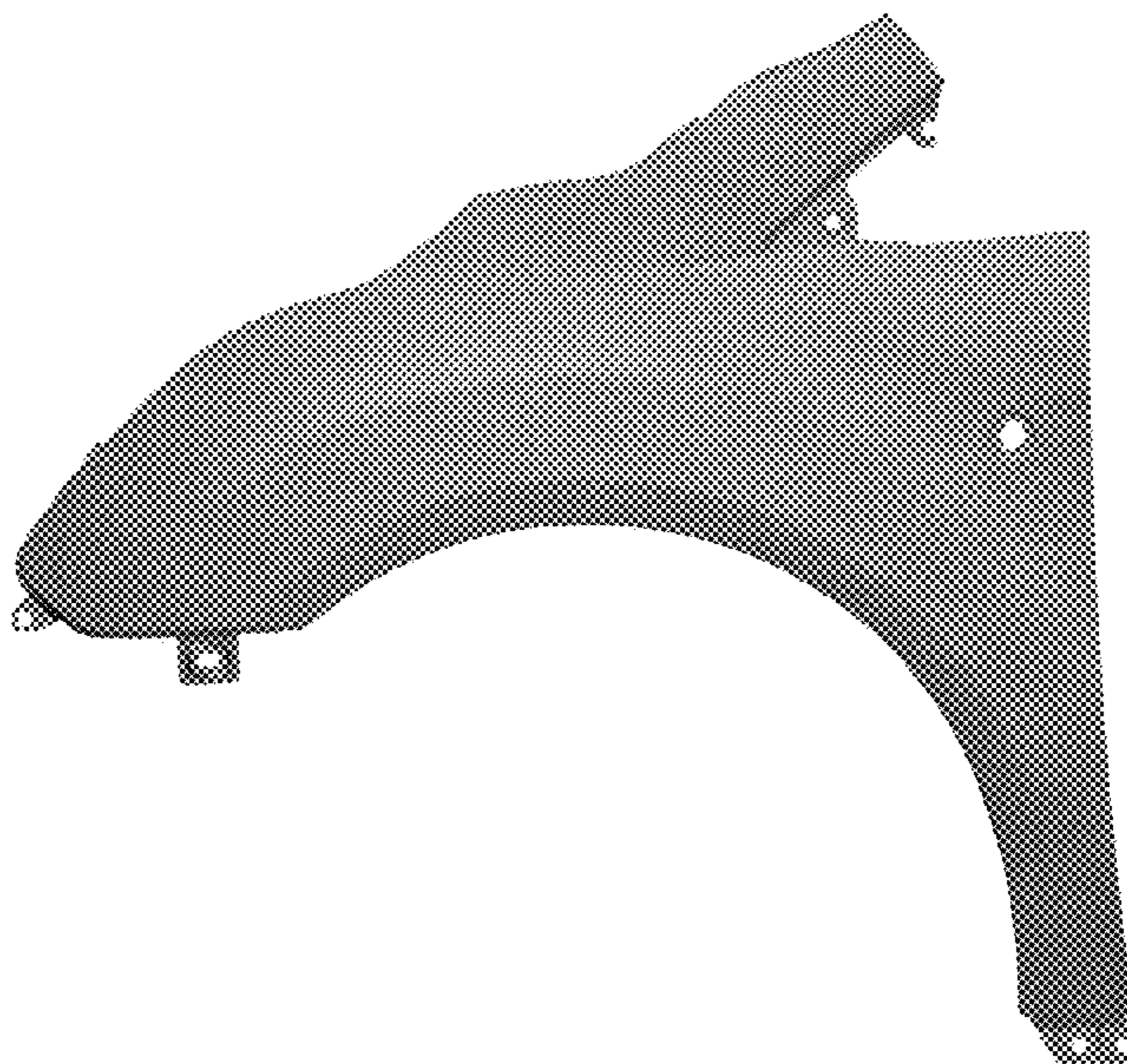
(57) **CLAIM**

The ornamental design for a vehicle fender, shown and described.

DESCRIPTION

FIG. 1 is a left side elevational view of a left vehicle fender (the right vehicle fender being a mirror image and is not shown);
FIG. 2 is right side elevational view of the vehicle fender;
FIG. 3 is a front elevational view of the vehicle fender;
FIG. 4 is a rear elevational view of the vehicle fender;
FIG. 5 is a top plan view of the vehicle fender;
FIG. 6 is a bottom plan view of the vehicle fender;
FIG. 7 is a perspective view of the vehicle fender; and,
FIG. 8 is another perspective view of the vehicle fender.

1 Claim, 8 Drawing Sheets



(56)

References Cited

OTHER PUBLICATIONS

CarAdvice Ford Transit Custom previews new commercial van range, Apr. 19, 2012 <http://www.caradvice.com.au/168987/ford-transit-custom-previews-new-commercial-van-range/ford-transit-custom-concept-4>.

Ford Tourneo Custom Concept previews next-gen Transit range, Feb. 22, 2012 <http://www.gizmag.com/ford-tourneo-transit-private-commercial-van/21554/>.

* cited by examiner

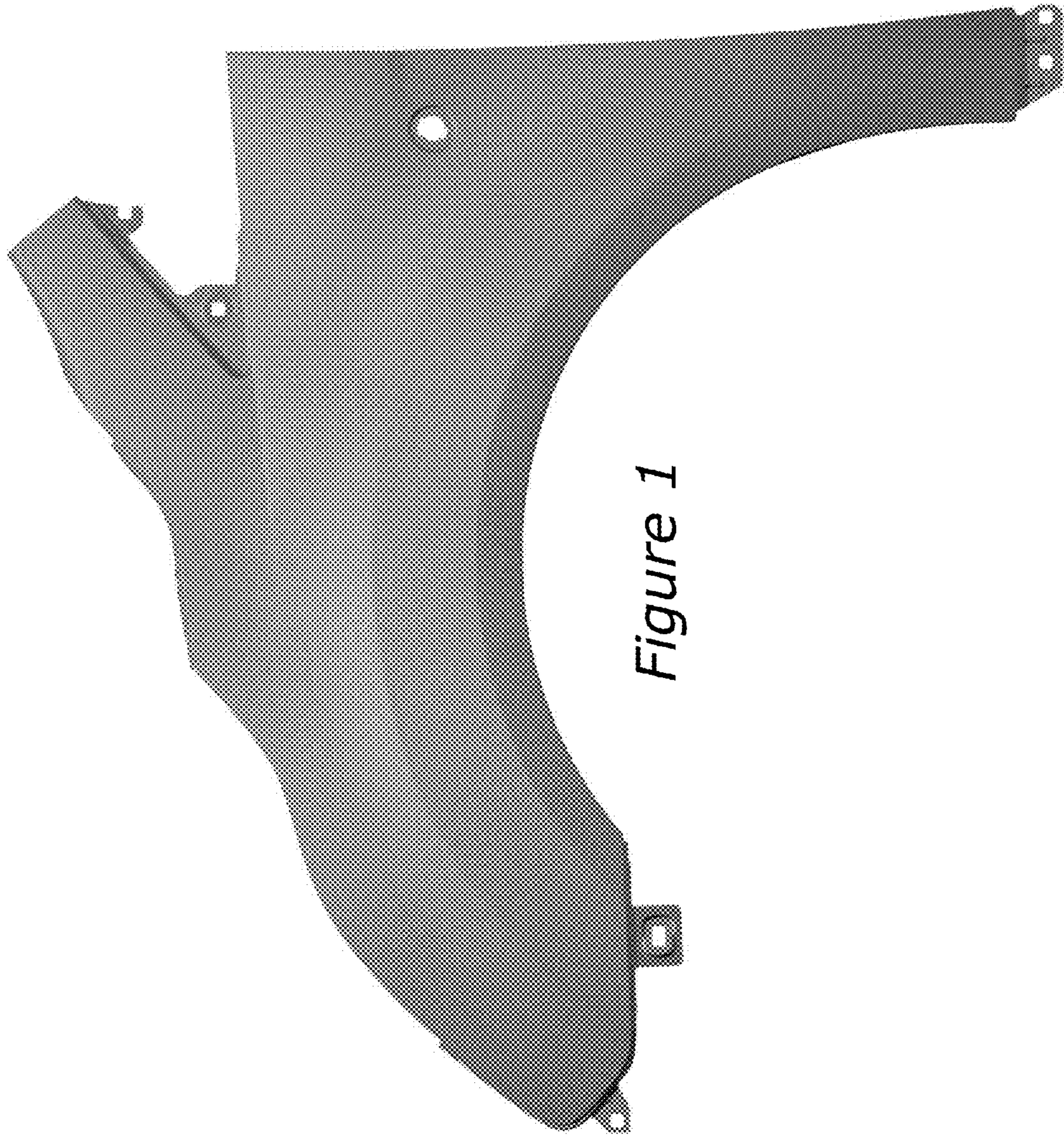


Figure 1

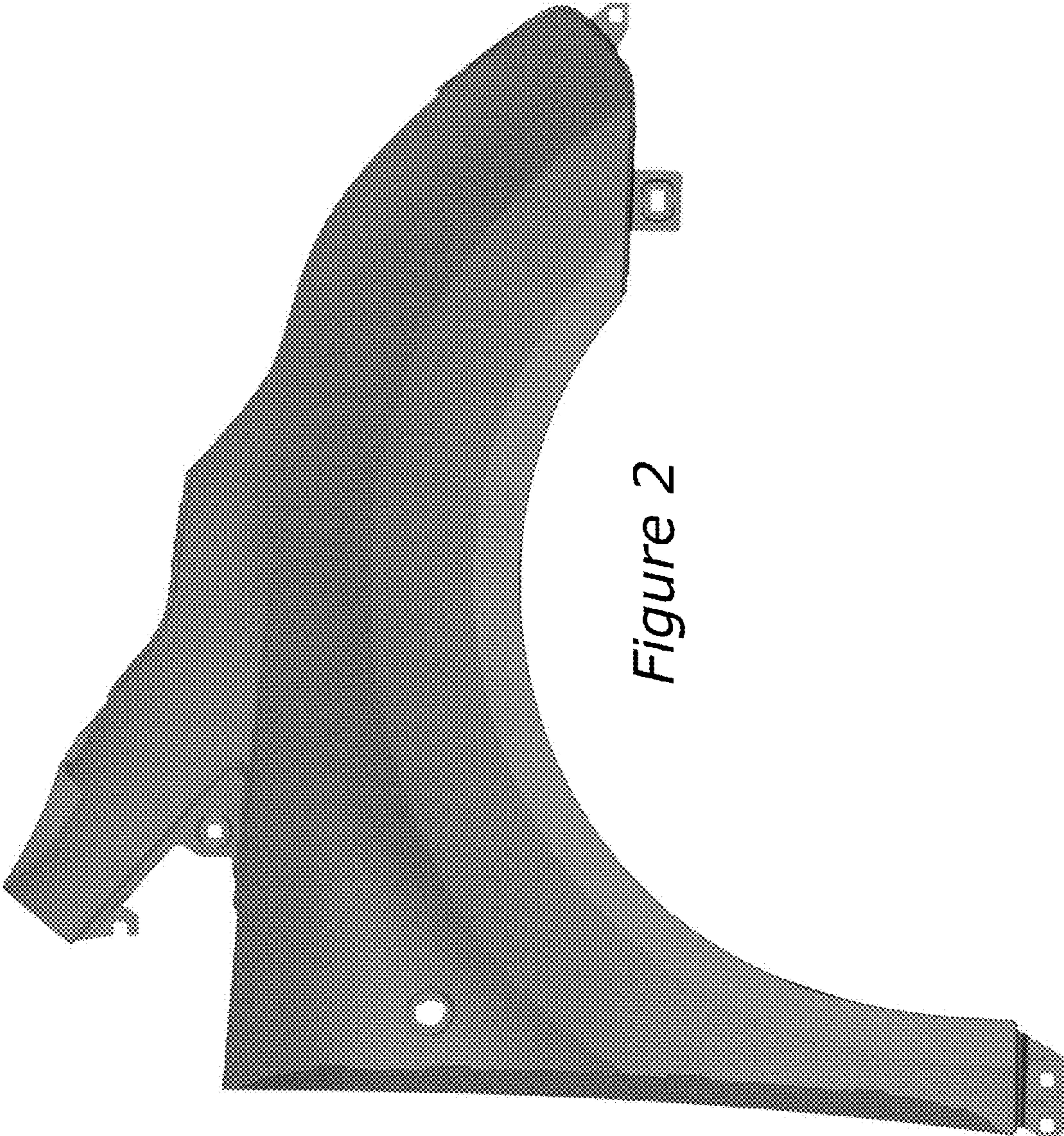
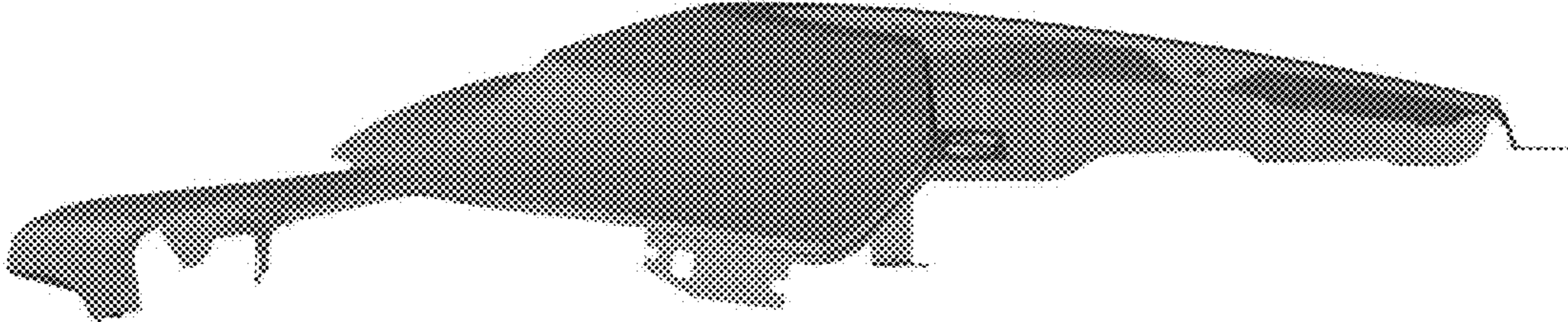


Figure 2

Figure 3



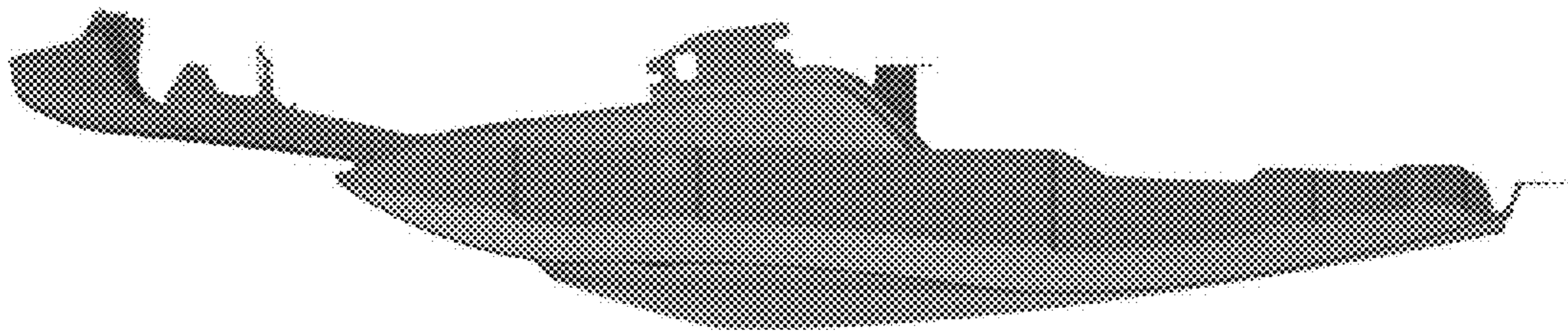


Figure 4

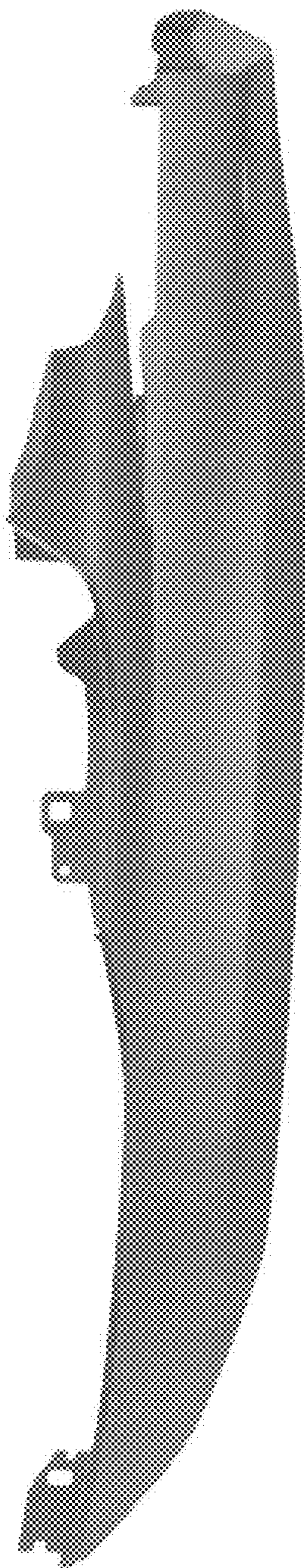
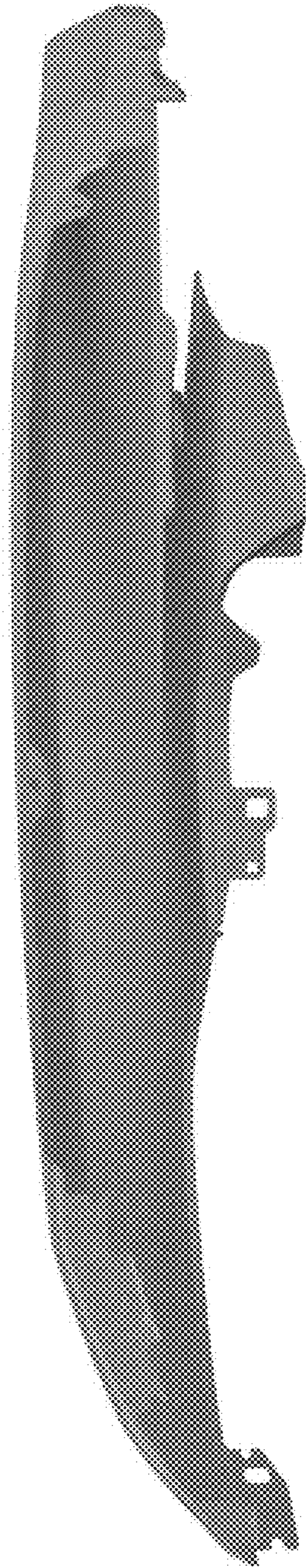


Figure 5

Figure 6



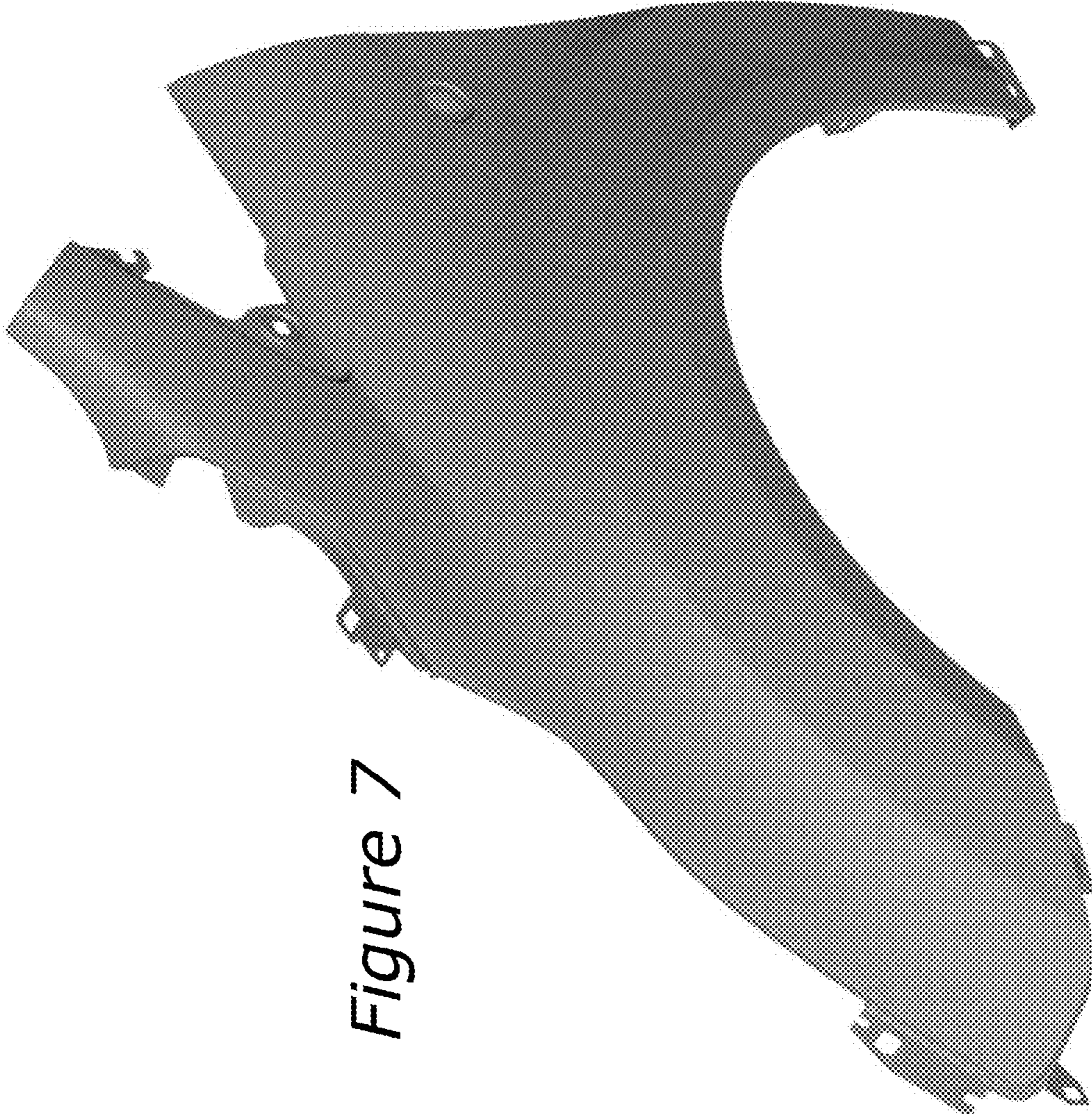


Figure 7

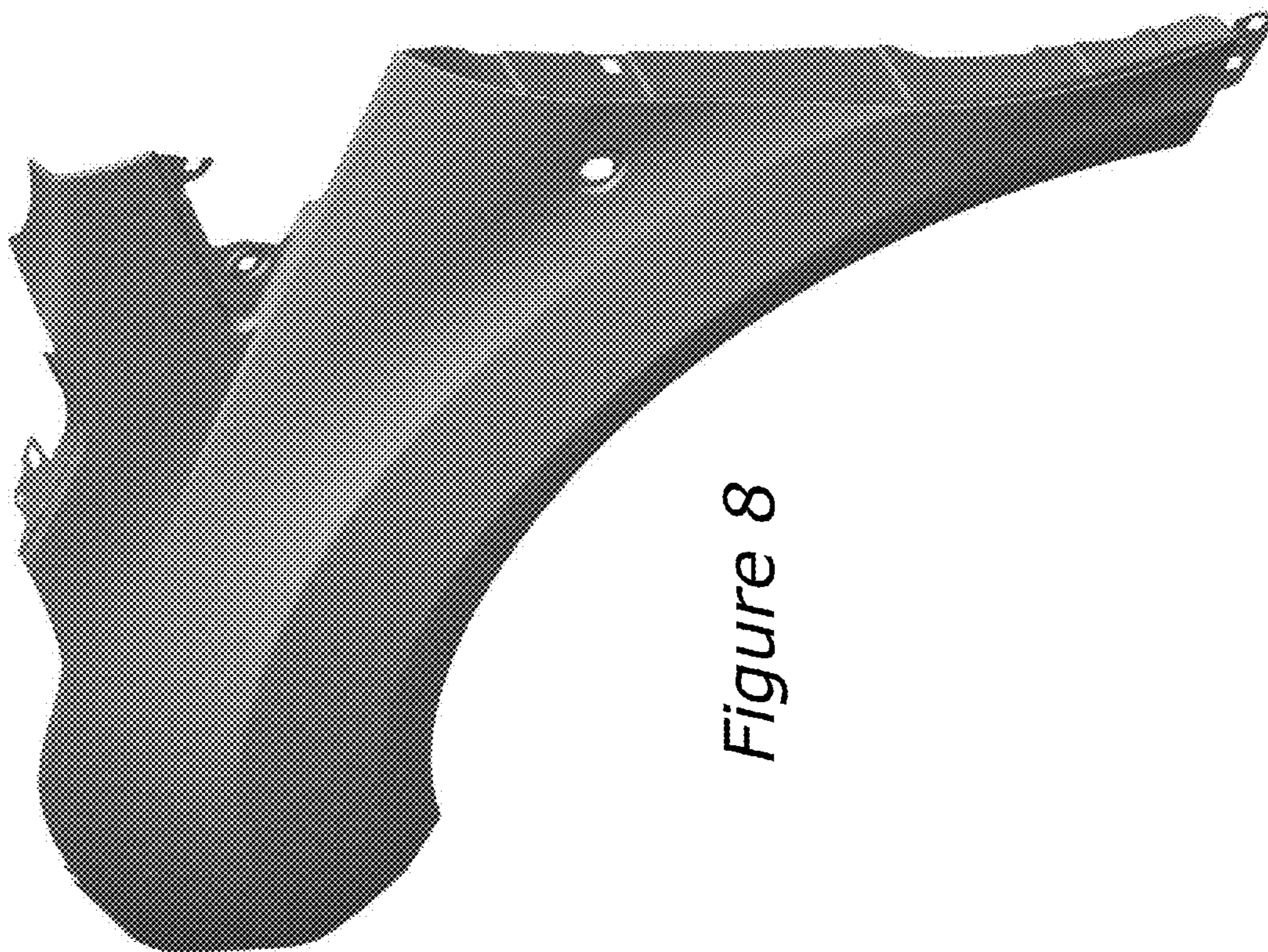


Figure 8