



US00D703595S

(12) **United States Design Patent**
Campbell et al.

(10) **Patent No.:** **US D703,595 S**

(45) **Date of Patent:** **** Apr. 29, 2014**

(54) **VEHICLE FRONT FENDER**

(71) Applicant: **Ford Global Technologies, LLC**,
Dearborn, MI (US)

(72) Inventors: **Paul Campbell**, Essex (GB); **Jordan Bennett**, London (GB)

(73) Assignee: **Ford Motor Company**, Dearborn, MI (US)

(**) Term: **14 Years**

(21) Appl. No.: **29/435,935**

(22) Filed: **Oct. 31, 2012**

(30) **Foreign Application Priority Data**

May 4, 2012 (DE) 402012100339

(51) **LOC (10) Cl.** **12-16**

(52) **U.S. Cl.**
USPC **D12/184**; D12/181

(58) **Field of Classification Search**
USPC D12/82, 86, 90-92, 184, 196, 181;
296/181.1, 181.5; 280/152.1, 847-849,
280/851; D21/424, 433, 434

See application file for complete search history.

(56) **References Cited**

U.S. PATENT DOCUMENTS

D598,346 S *	8/2009	Buduo	D12/184
D600,614 S *	9/2009	Lamm	D12/184
D604,681 S *	11/2009	Nakamura	D12/184
D642,966 S *	8/2011	Messale	D12/181
D658,100 S *	4/2012	Kubo et al.	D12/196
D680,926 S *	4/2013	Svensson et al.	D12/184
D681,523 S *	5/2013	Messale	D12/184

* cited by examiner

Primary Examiner — Eric Goodman

Assistant Examiner — Jennifer Watkins

(74) *Attorney, Agent, or Firm* — Damian Porcari

(57) **CLAIM**

The ornamental design for a vehicle front fender, as shown and described.

DESCRIPTION

FIG. 1 is a left side elevational view of a left vehicle front fender (the right vehicle front fender being a mirror image and is not shown);

FIG. 2 is right side elevational view of the vehicle front fender;

FIG. 3 is a front elevational view of the vehicle front fender;

FIG. 4 is a rear elevational view of the vehicle front fender;

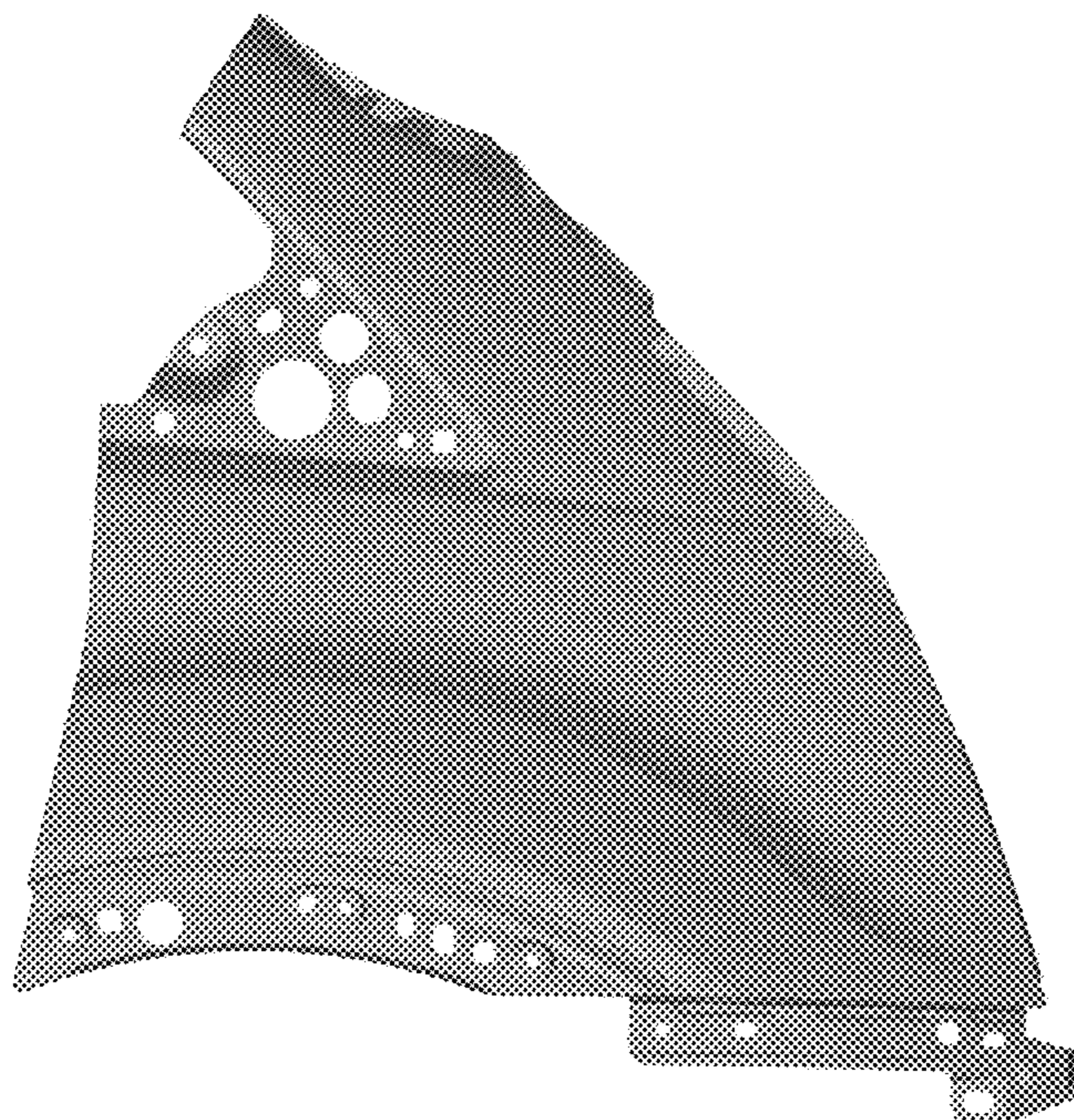
FIG. 5 is a top plan view of the vehicle front fender;

FIG. 6 is a bottom plan view of the vehicle front fender;

FIG. 7 is a perspective view of the vehicle front fender; and,

FIG. 8 is another perspective view of the vehicle front fender.

1 Claim, 8 Drawing Sheets



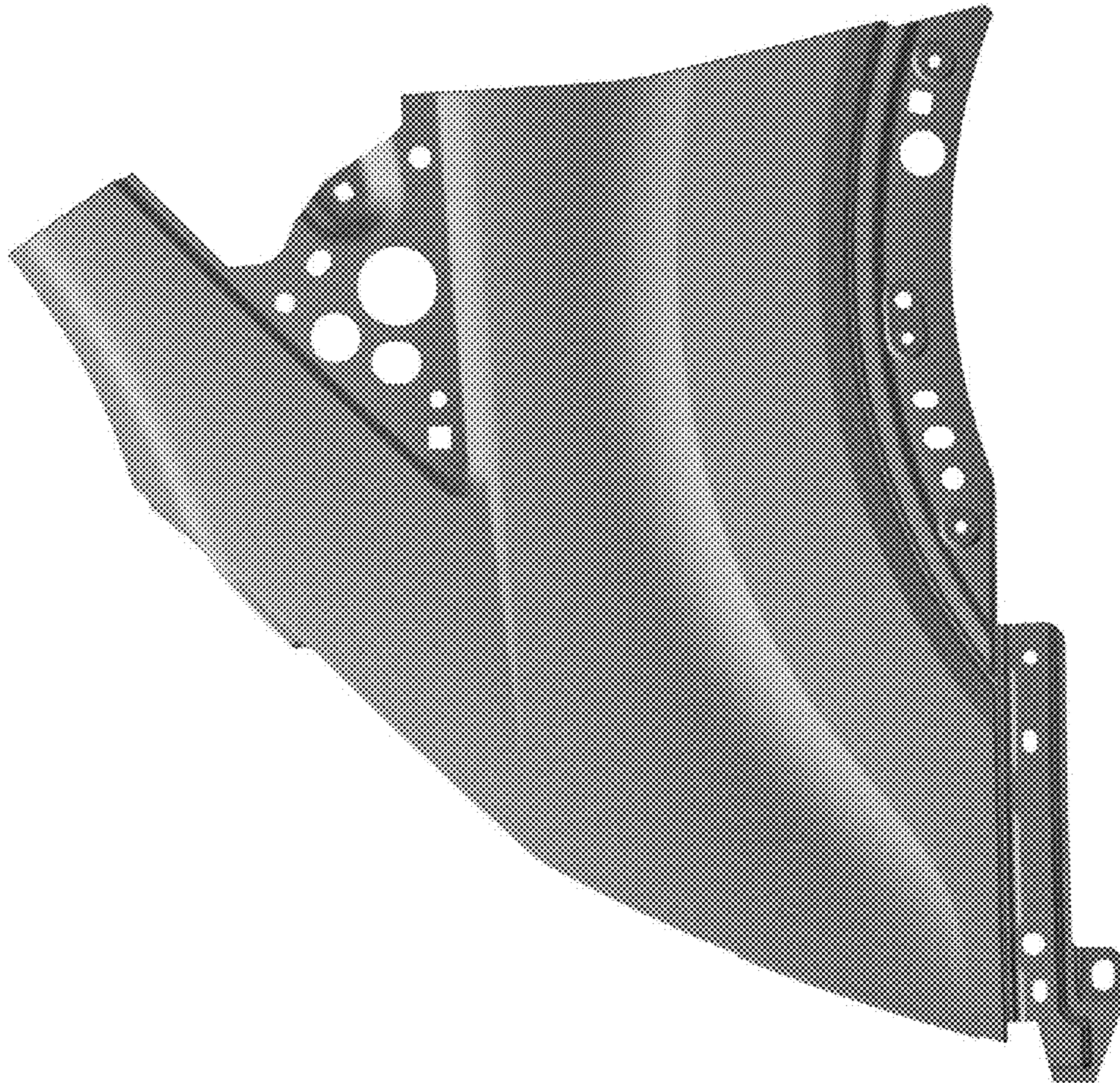


Figure 1

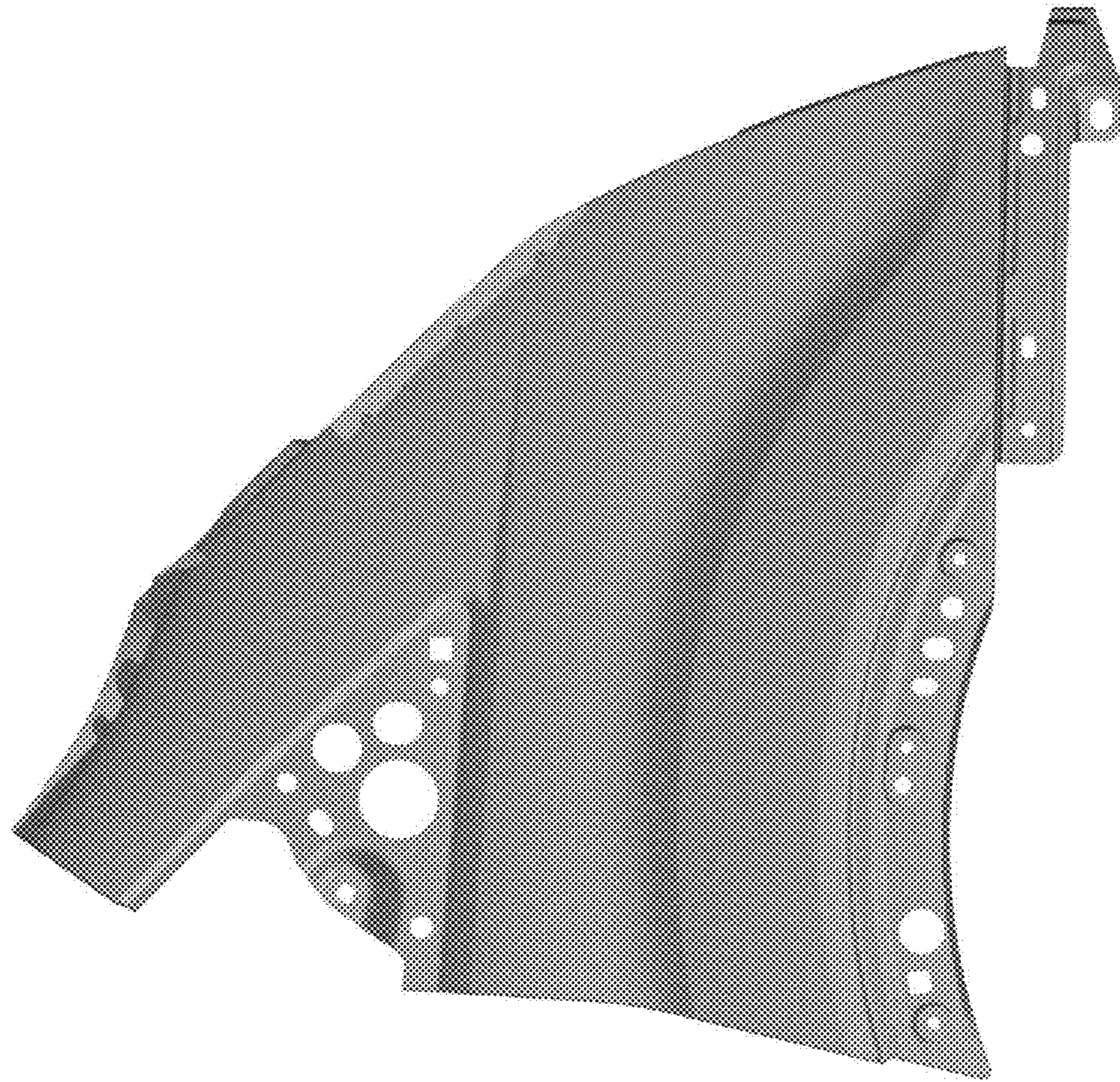
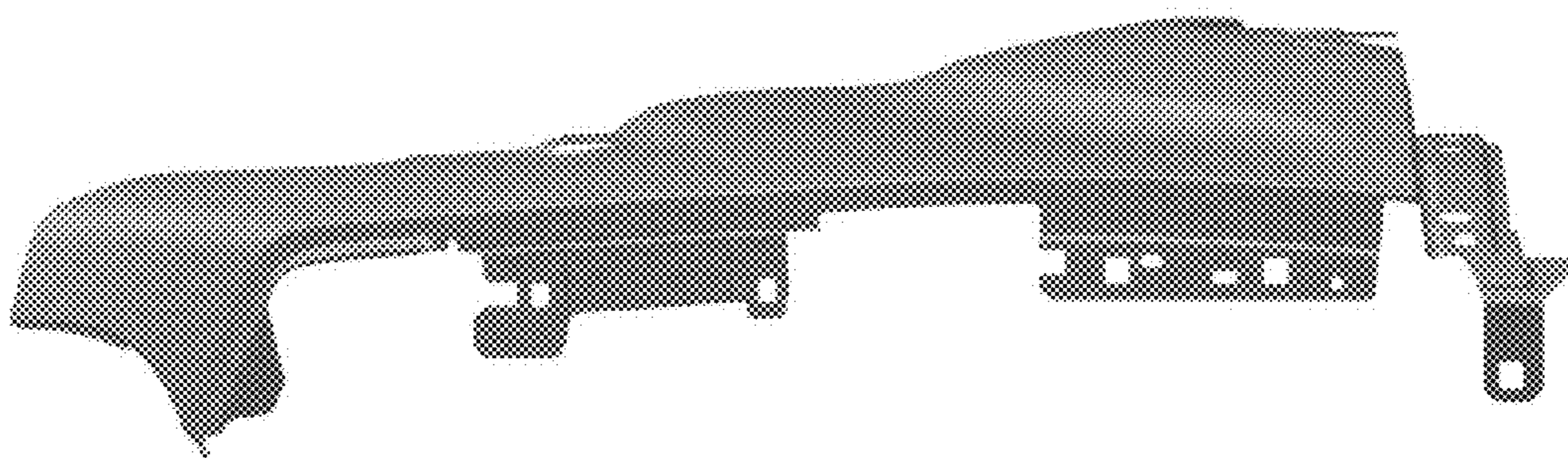


Figure 2

Figure 3



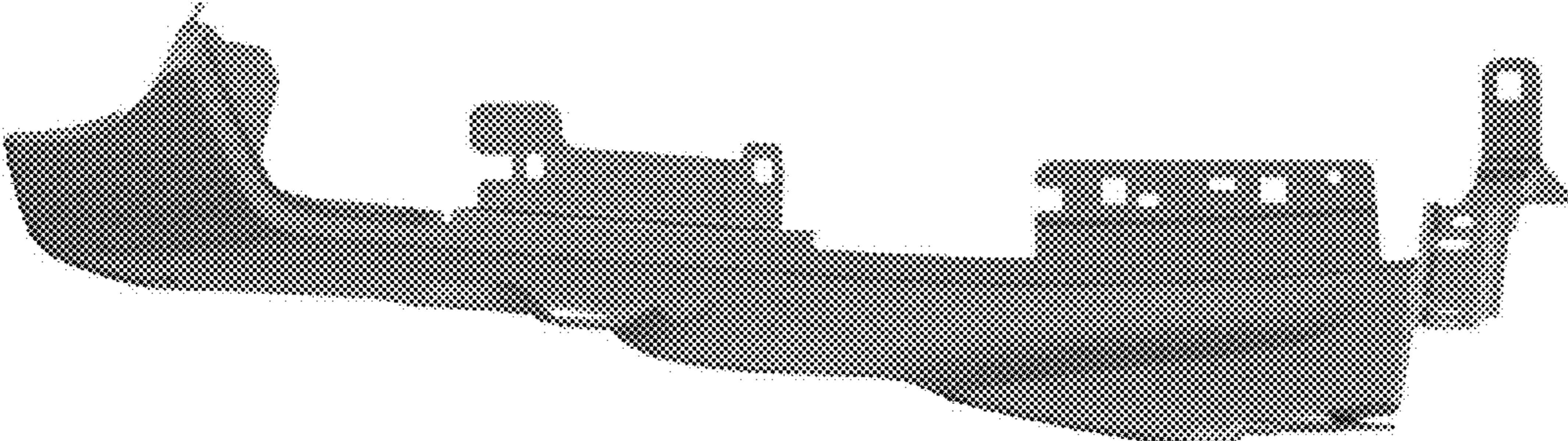


Figure 4

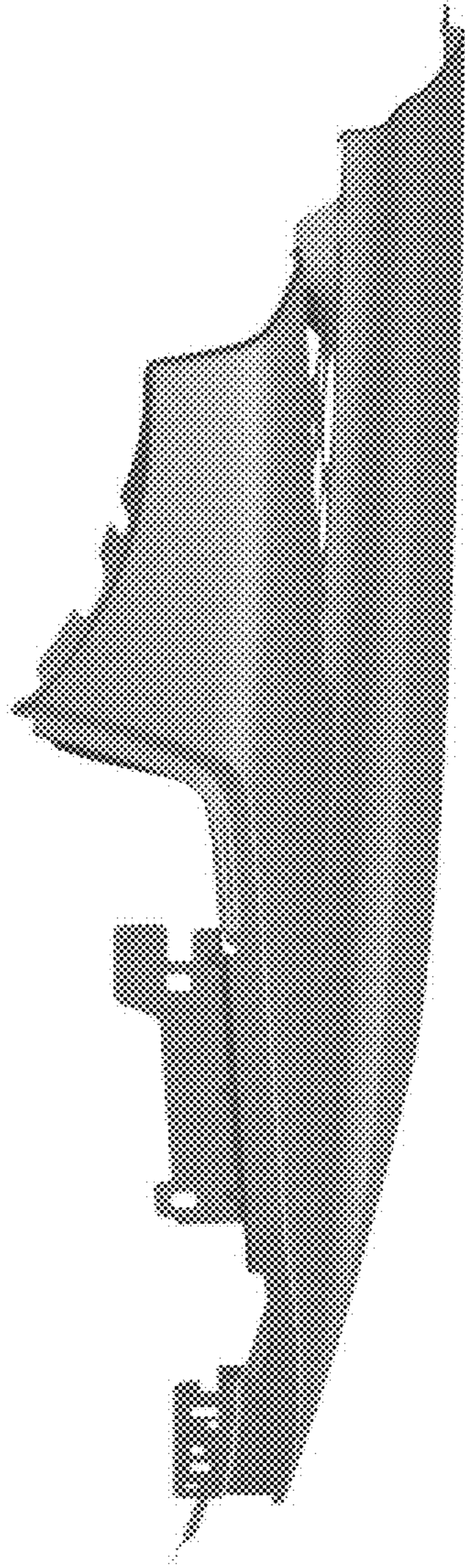


Figure 5

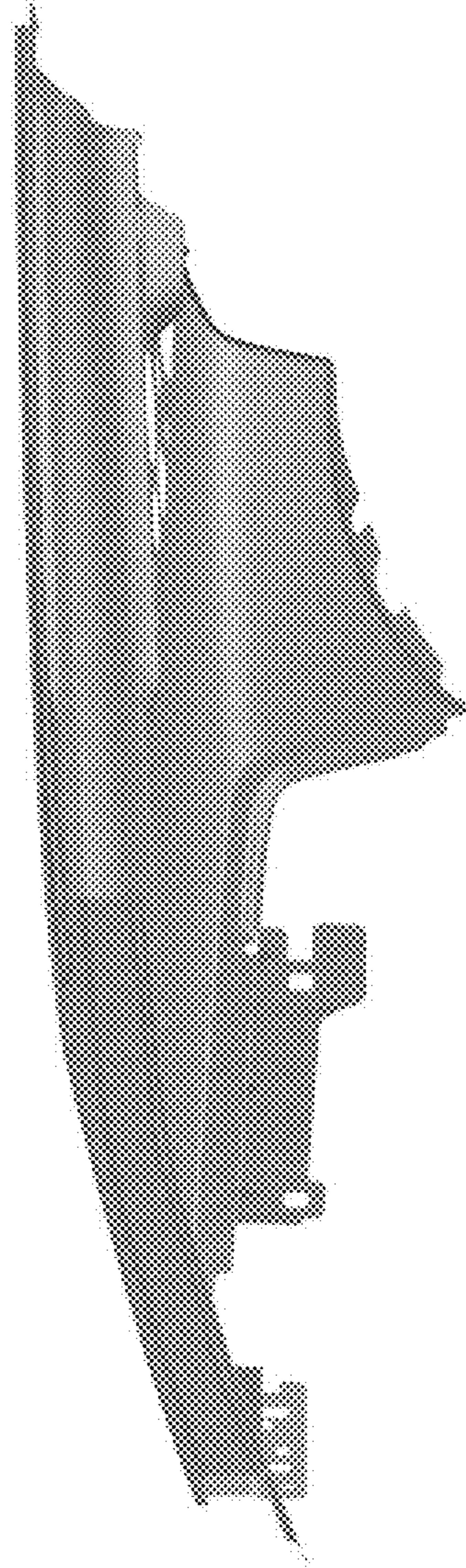


Figure 6

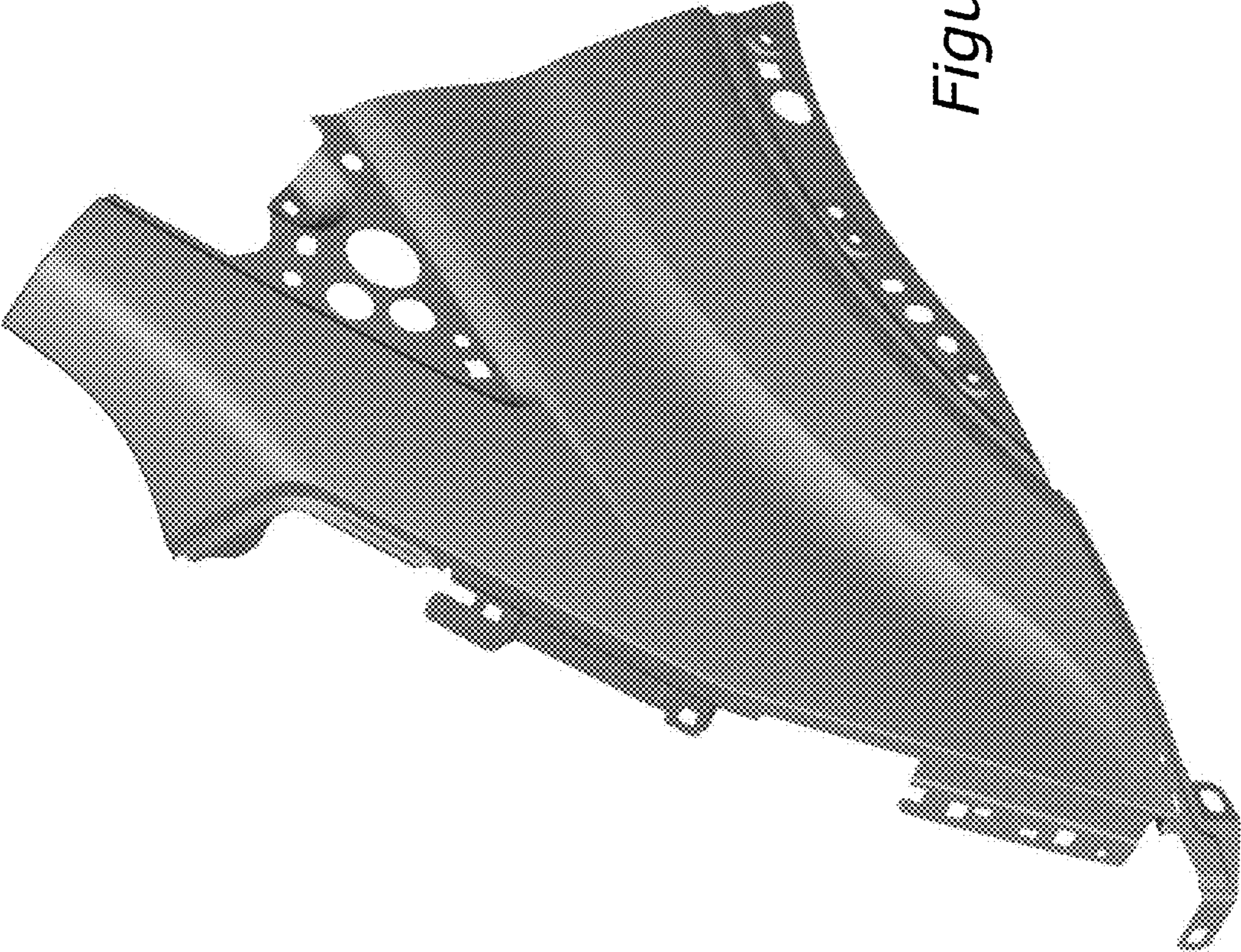


Figure 7

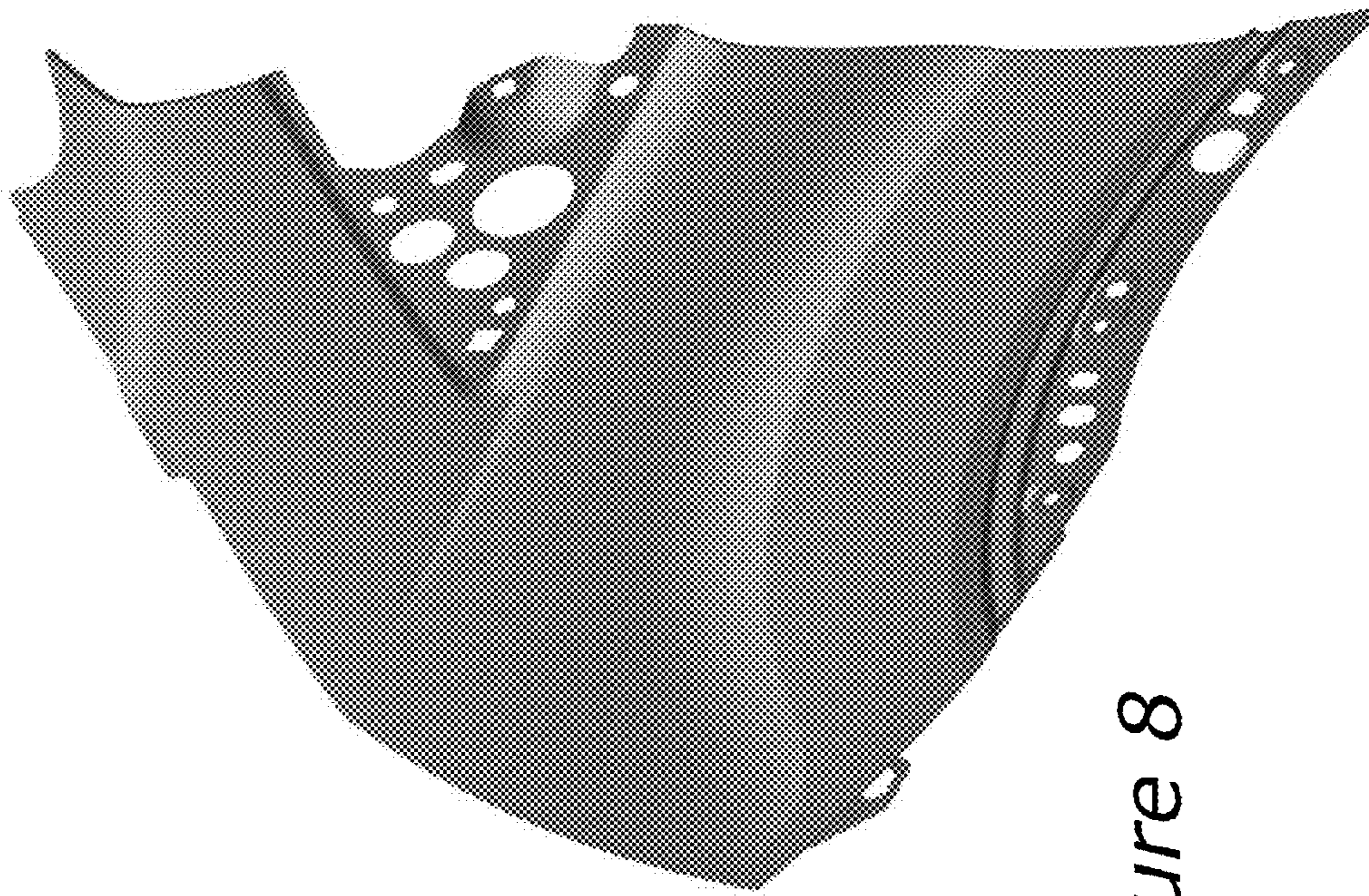


Figure 8