



US00D703592S

(12) **United States Design Patent**
Kwon et al.

(10) **Patent No.:** **US D703,592 S**
(45) **Date of Patent:** **** Apr. 29, 2014**

(54) **REAR BUMPER FOR AN AUTOMOBILE**

(71) Applicants: **Pansoo Kwon**, Okazaki (JP); **Yuji Fujiwara**, Toyokawa (JP)

(72) Inventors: **Pansoo Kwon**, Okazaki (JP); **Yuji Fujiwara**, Toyokawa (JP)

(73) Assignee: **Toyota Jidosha Kabushiki Kaisha**, Toyota-shi, Aichi-ken (JP)

(**) Term: **14 Years**

(21) Appl. No.: **29/469,190**

(22) Filed: **Oct. 8, 2013**

Related U.S. Application Data

(62) Division of application No. 29/425,150, filed on Jun. 20, 2012.

(51) **LOC (10) Cl.** **12-16**

(52) **U.S. Cl.**
USPC **D12/169**

(58) **Field of Classification Search**
USPC D12/169, 216, 90-92, 86, 171, 196,
D12/163; 293/102, 113, 115, 117, 120;
296/180.1, 180.2

See application file for complete search history.

(56) **References Cited**

U.S. PATENT DOCUMENTS

D639,215 S * 6/2011 Faghihzadeh D12/169
D640,616 S * 6/2011 Schell et al. D12/169

D644,575 S * 9/2011 Messale D12/169
D659,605 S * 5/2012 Varga D12/169
D671,049 S * 11/2012 Davidson et al. D12/169
D684,903 S * 6/2013 Platto et al. D12/169

OTHER PUBLICATIONS

Netcarshow.com; Audi A4; Mfg. Audi: http://www.netcarshow.com/audi/2009-a4/800x600/wallpaper_10.htm; Mar. 2011.

Netcarshow.com; Lexus HS250; Mfg. Toyota; http://netcarshow.com/lexus/2010-hs_250h/1024x768/wallpaper_33.htm; Mar. 2011.

* cited by examiner

Primary Examiner — Melody Brown

(74) *Attorney, Agent, or Firm* — Finnegan, Henderson, Farabow, Garrett & Dunner, LLP

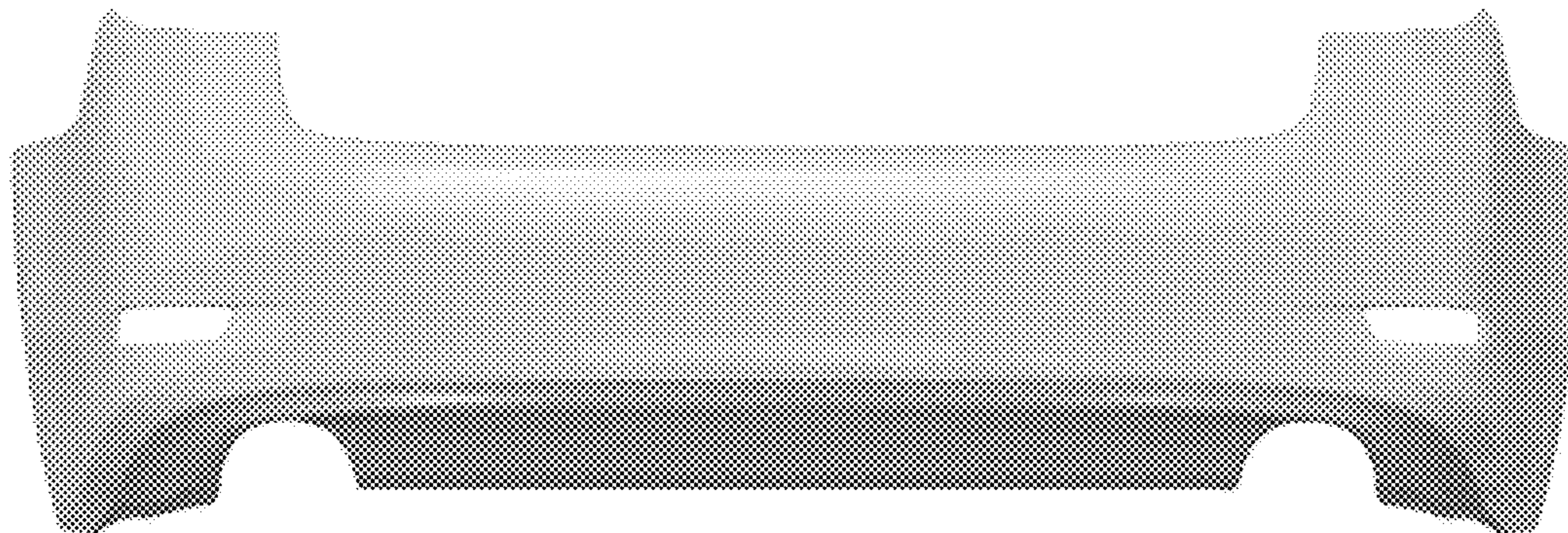
(57) **CLAIM**

The ornamental design for the rear bumper for an automobile, as shown and described.

DESCRIPTION

FIG. 1 is a perspective view of a rear bumper for an automobile showing our new design;
FIG. 2 is a front view thereof;
FIG. 3 is a rear view thereof;
FIG. 4 is a left side elevation view thereof;
FIG. 5 is a right side elevation view thereof;
FIG. 6 is a top plan view thereof; and,
FIG. 7 is a bottom view thereof.

1 Claim, 4 Drawing Sheets



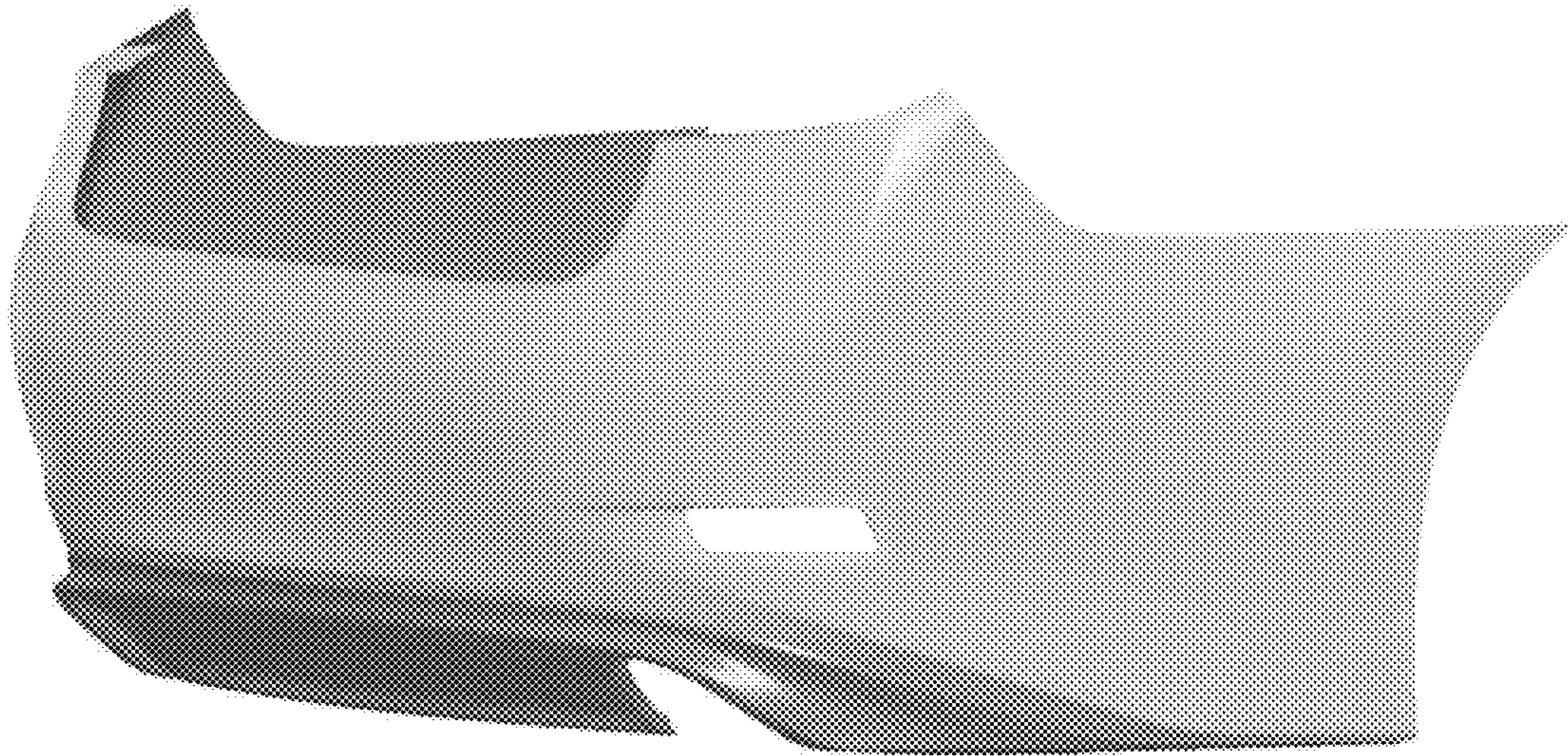


FIG. 1

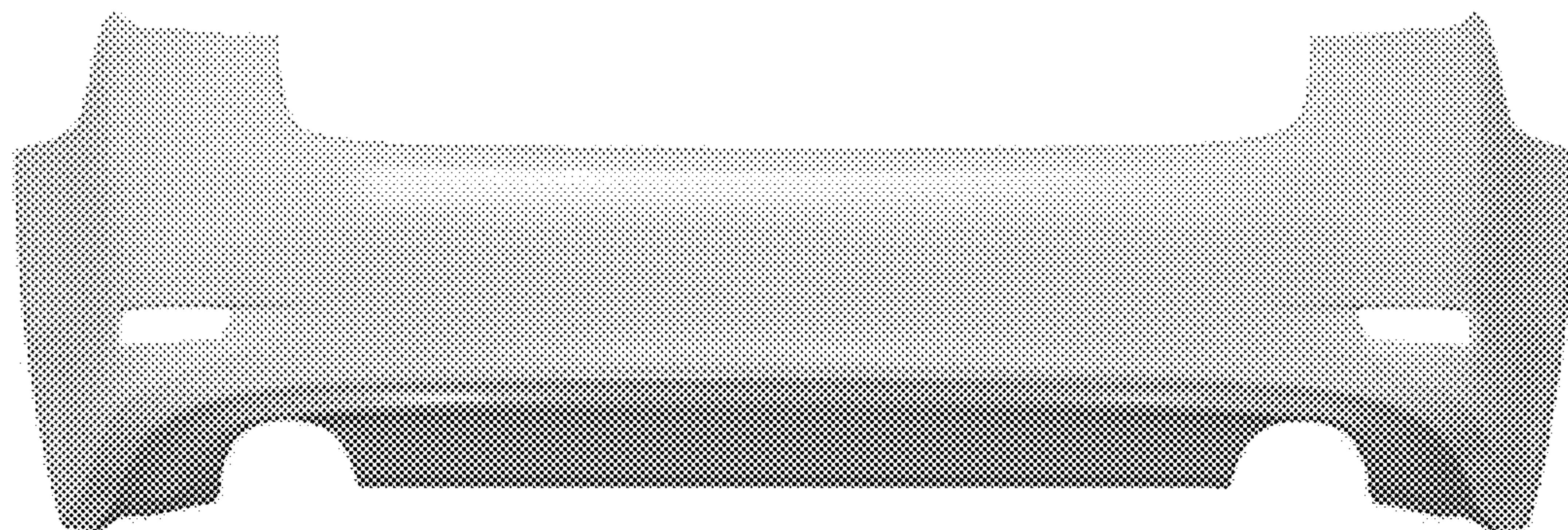


FIG. 2

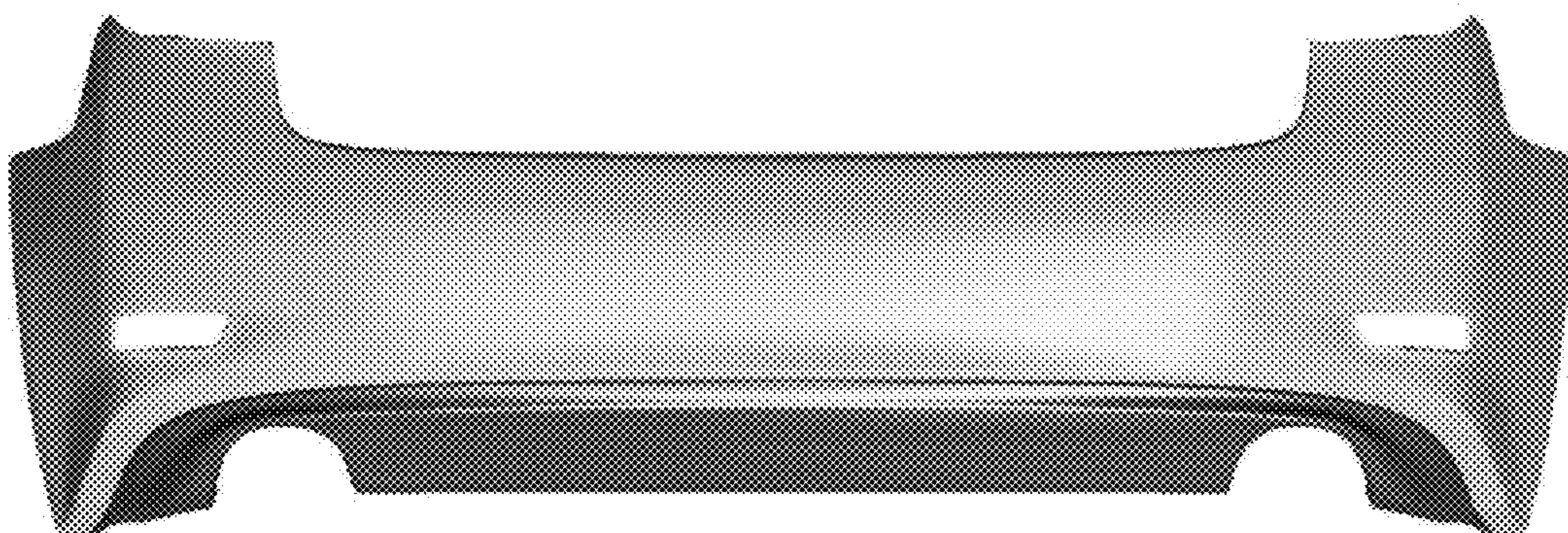


FIG. 3

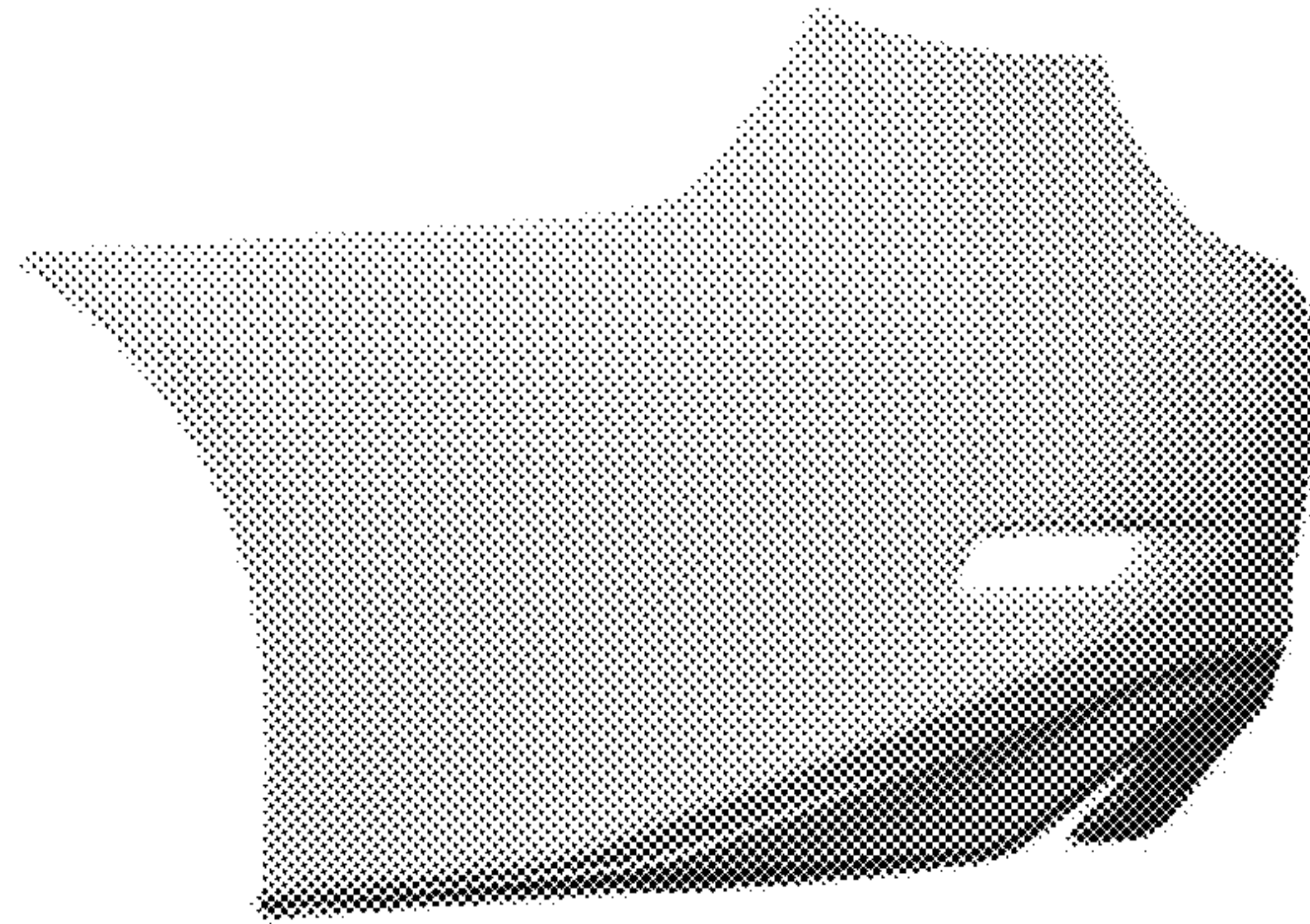


FIG. 4

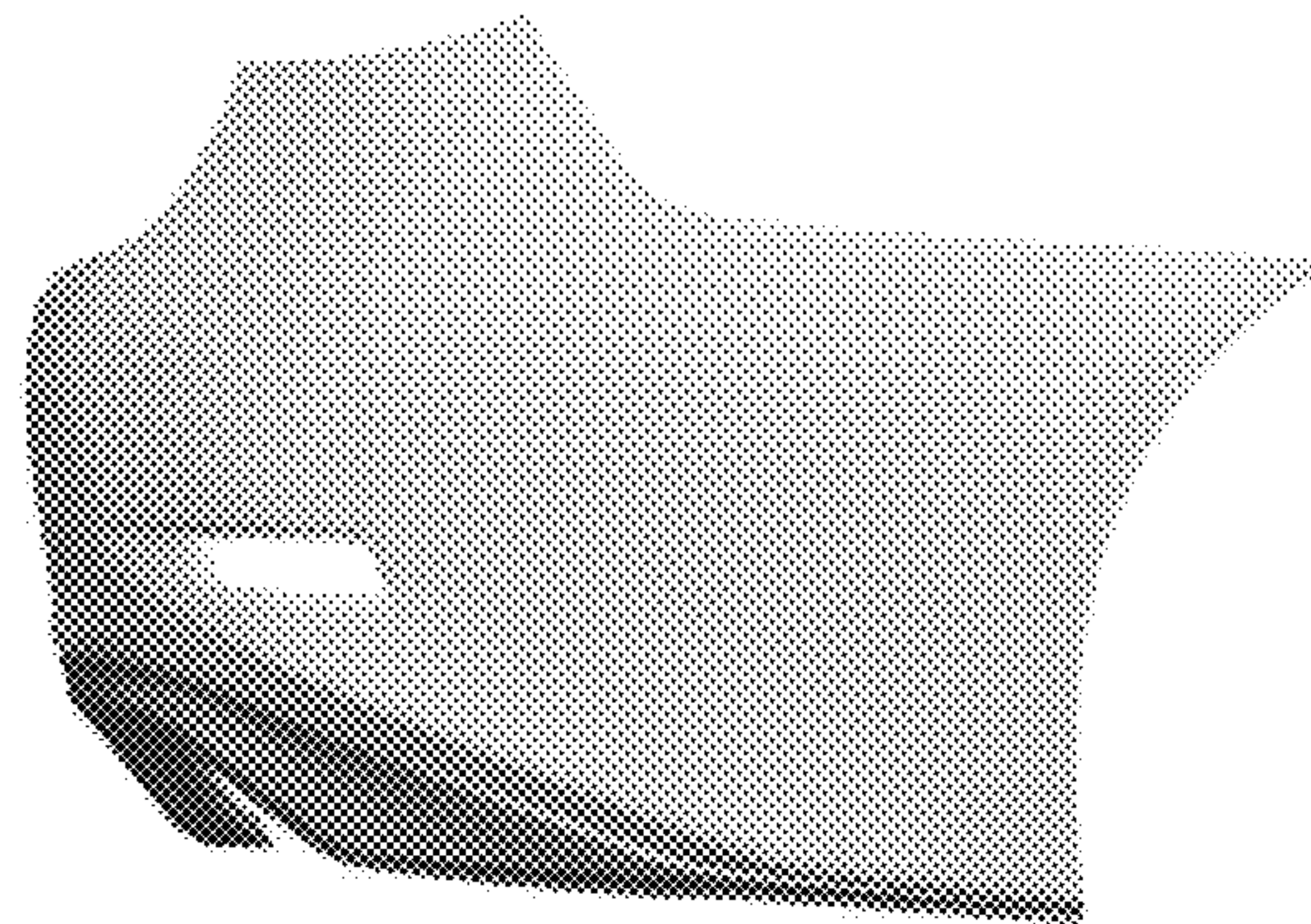


FIG. 5

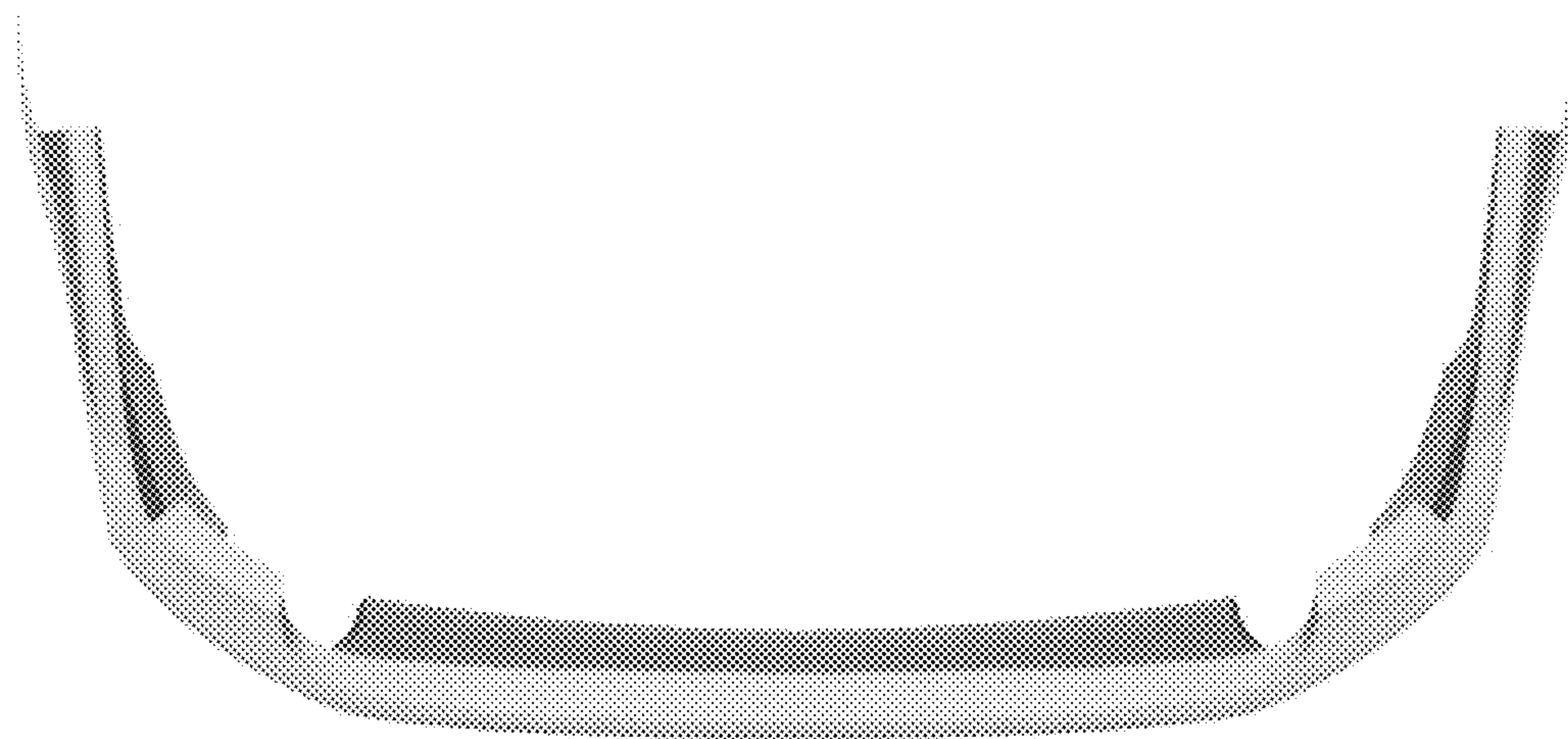


FIG. 6

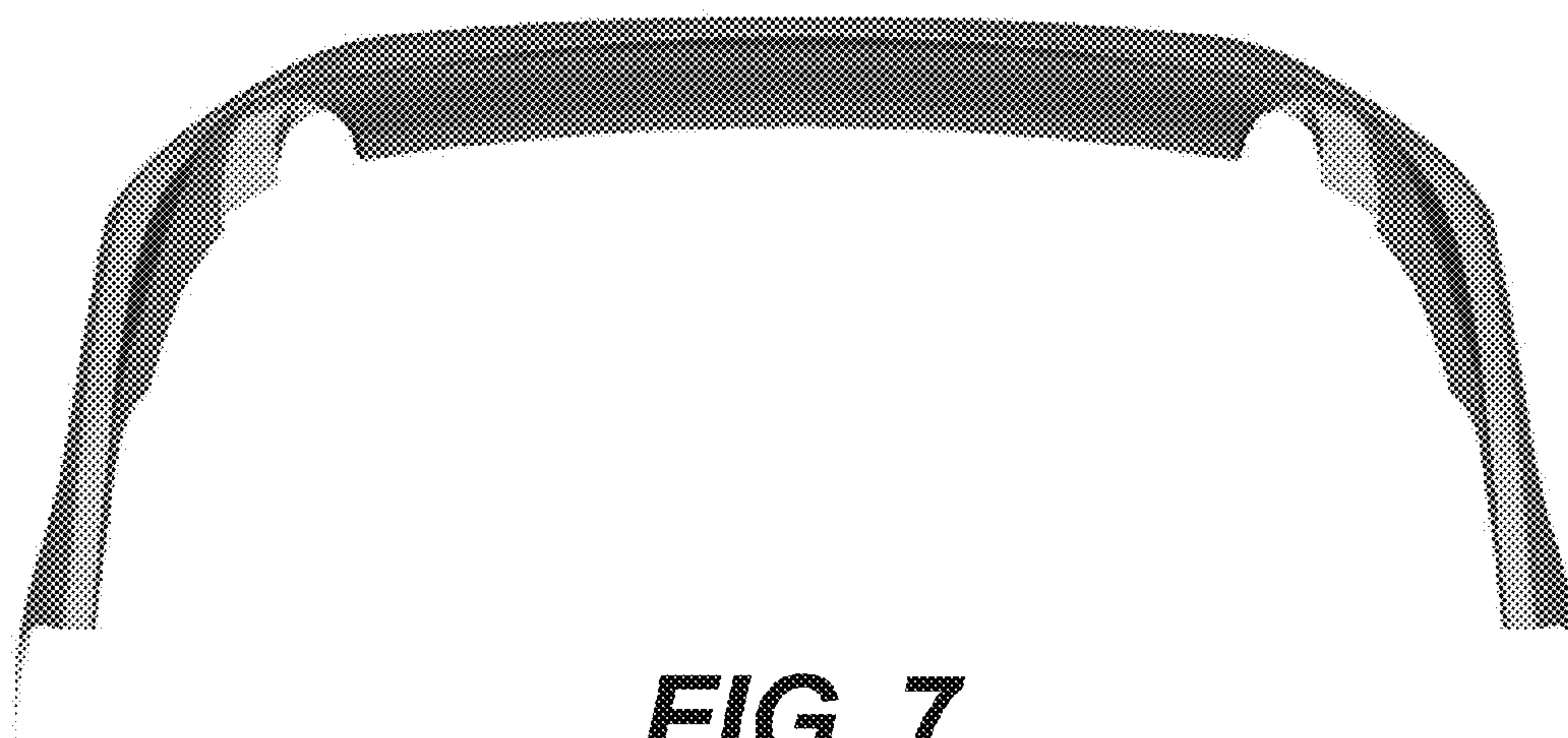


FIG. 7

UNITED STATES PATENT AND TRADEMARK OFFICE
CERTIFICATE OF CORRECTION

PATENT NO. : D703,592 S
APPLICATION NO. : 29/469190
DATED : April 29, 2014
INVENTOR(S) : Pansoo Kwon et al.

Page 1 of 1

It is certified that error appears in the above-identified patent and that said Letters Patent is hereby corrected as shown below:

On the Title Page insert the following:

--(30) **Foreign Application Priority Data**

December 27, 2011 (JP).....2011-030128
December 27, 2011 (JP).....2011-030133--

Signed and Sealed this
Twenty-ninth Day of July, 2014



Michelle K. Lee
Deputy Director of the United States Patent and Trademark Office