



US00D703591S

(12) **United States Design Patent**
Kwon et al.

(10) **Patent No.:** **US D703,591 S**

(45) **Date of Patent:** **** Apr. 29, 2014**

(54) **REAR BUMPER FOR AN AUTOMOBILE**

(75) Inventors: **Pansoo Kwon**, Okazaki (JP); **Yuji Fujiwara**, Toyokawa (JP)

(73) Assignee: **Toyota Jidosha Kabushiki Kaisha**, Toyota-shi, Aichi-ken (JP)

(**) Term: **14 Years**

(21) Appl. No.: **29/425,150**

(22) Filed: **Jun. 20, 2012**

(30) **Foreign Application Priority Data**

Dec. 27, 2011 (JP) 2011-030128

Dec. 27, 2011 (JP) 2011-030133

(51) **LOC (10) Cl.** **12-16**

(52) **U.S. Cl.**
USPC **D12/169**

(58) **Field of Classification Search**
USPC D12/169, 216, 90-92, 86, 171, 196,
D12/163; 293/102, 113, 115, 117, 120;
296/180.1, 180.2

See application file for complete search history.

(56) **References Cited**

U.S. PATENT DOCUMENTS

D631,407 S * 1/2011 Kuze D12/169

D671,054 S * 11/2012 Yamada et al. D12/169

D671,055 S * 11/2012 Nakamura et al. D12/169

D682,167 S * 5/2013 Minami D12/169

D683,282 S * 5/2013 Fuchigami D12/169

D683,283 S * 5/2013 Choi D12/169

D684,905 S * 6/2013 Tase et al. D12/169

D692,809 S * 11/2013 Uchino D12/169

OTHER PUBLICATIONS

Netcarshow.com; Audi A4; Mfg. Audi; http://www.netcarshow.com/audi/2009-a4/800x600/wallpaper_10.htm; Mar. 2011.

Netcarshow.com; Lexus HS250; Mfg. Toyota; http://netcarshow.com/lexus/2010-hs_250h/1024x768/wallpaper_33.htm; Mar. 2011.

* cited by examiner

Primary Examiner — Melody Brown

(74) *Attorney, Agent, or Firm* — Finnegan, Henderson, Farabow, Garrett & Dunner, LLP

(57) **CLAIM**

The ornamental design for the rear bumper for an automobile, as shown and described.

DESCRIPTION

FIG. 1 is a perspective view of a rear bumper for an automobile showing our new design;

FIG. 2 is a front view thereof;

FIG. 3 is a rear view thereof;

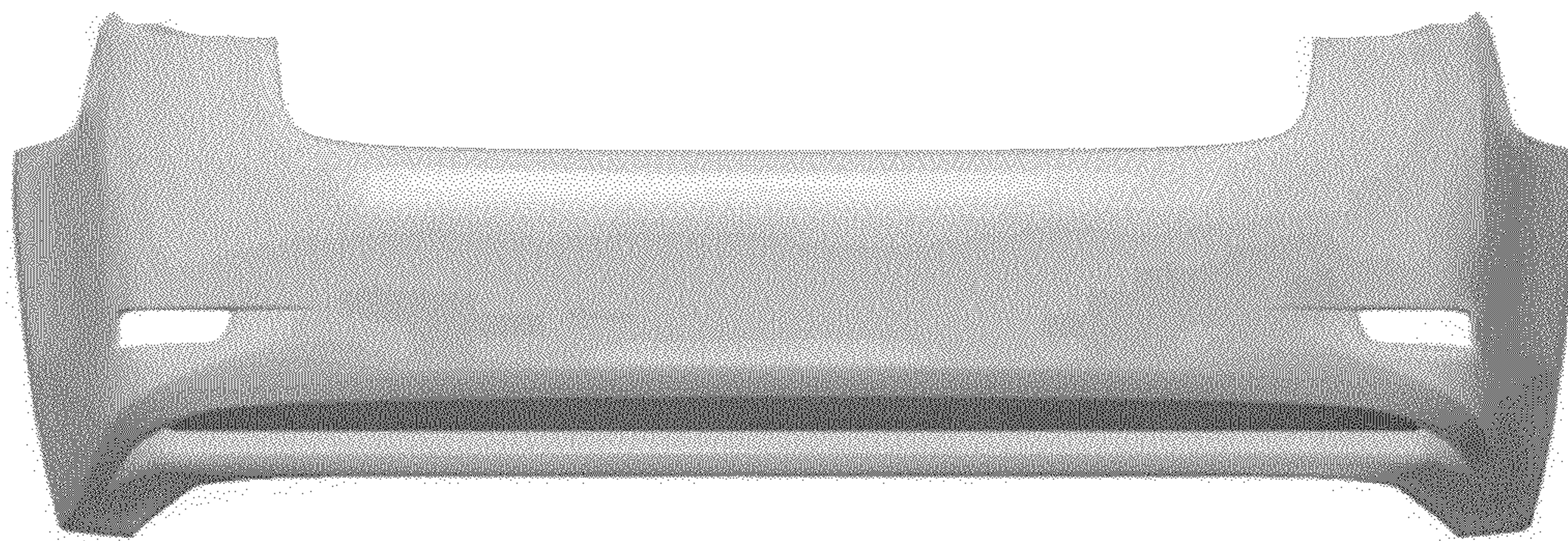
FIG. 4 is a left side elevation view thereof;

FIG. 5 is a right side elevation view thereof;

FIG. 6 is a top plan view thereof; and,

FIG. 7 is a bottom view thereof.

1 Claim, 4 Drawing Sheets



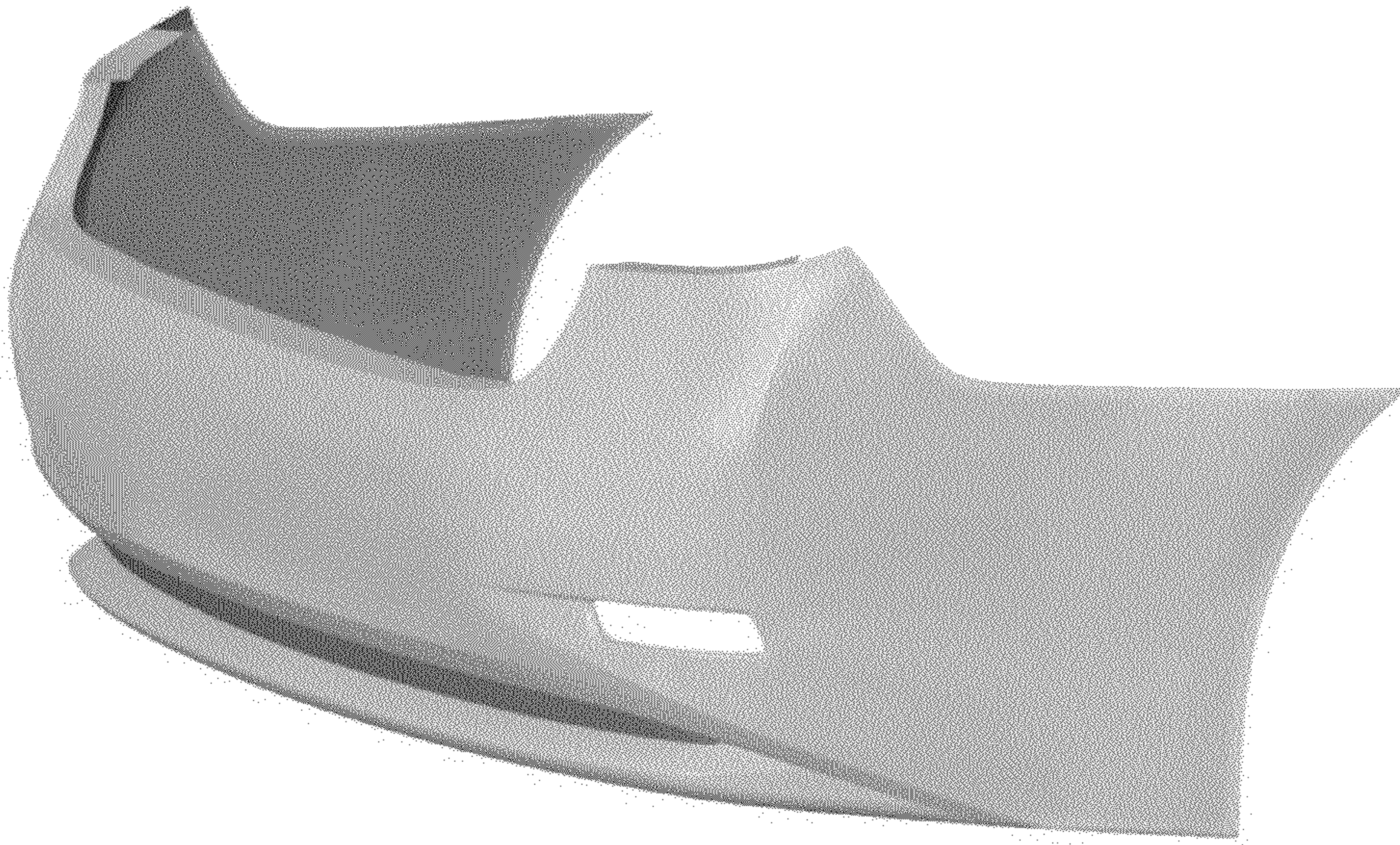


FIG. 1

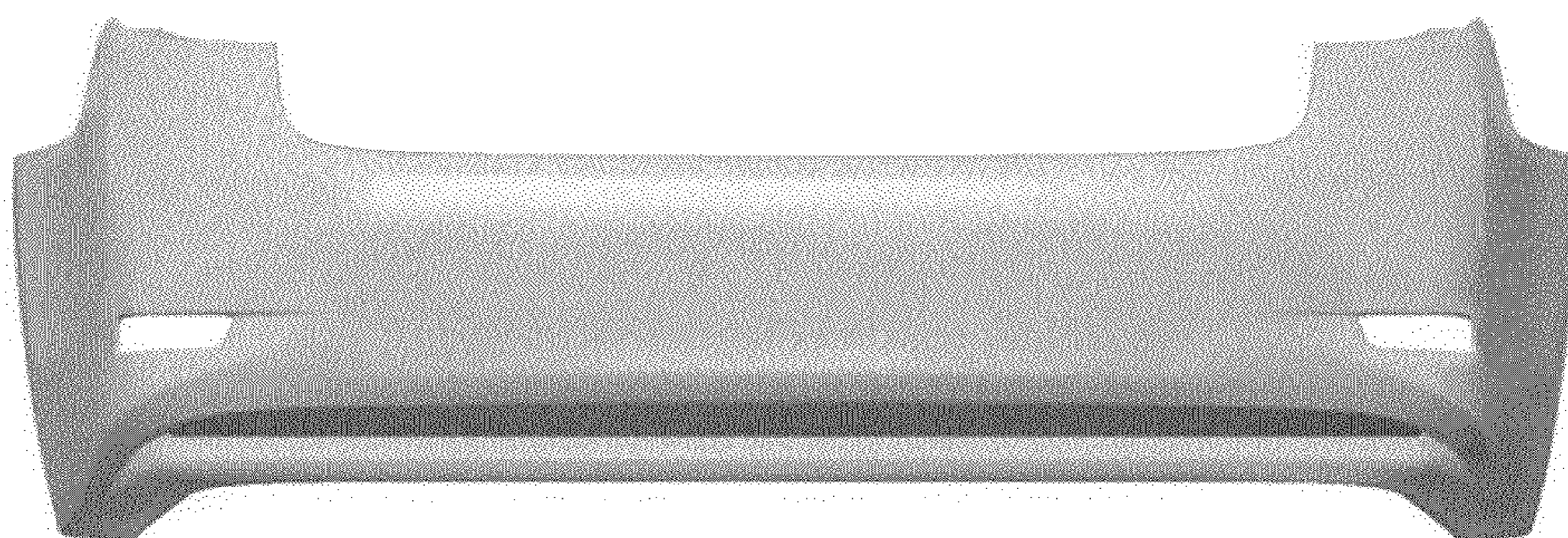


FIG. 2

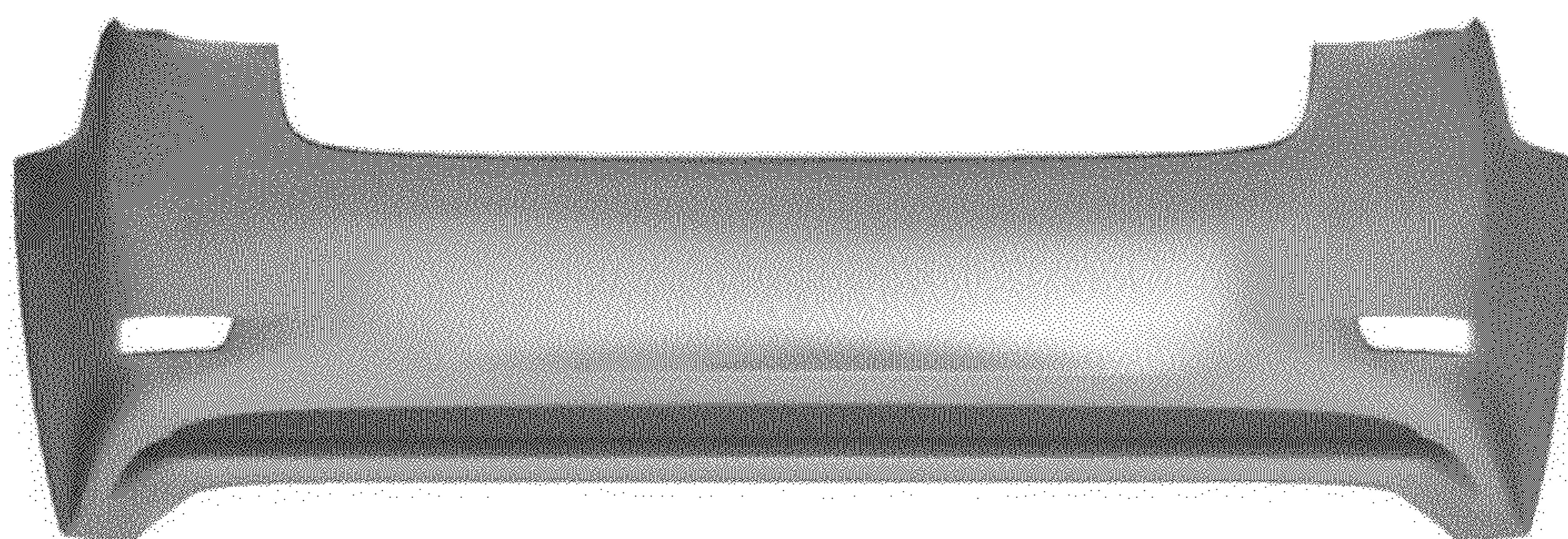


FIG. 3

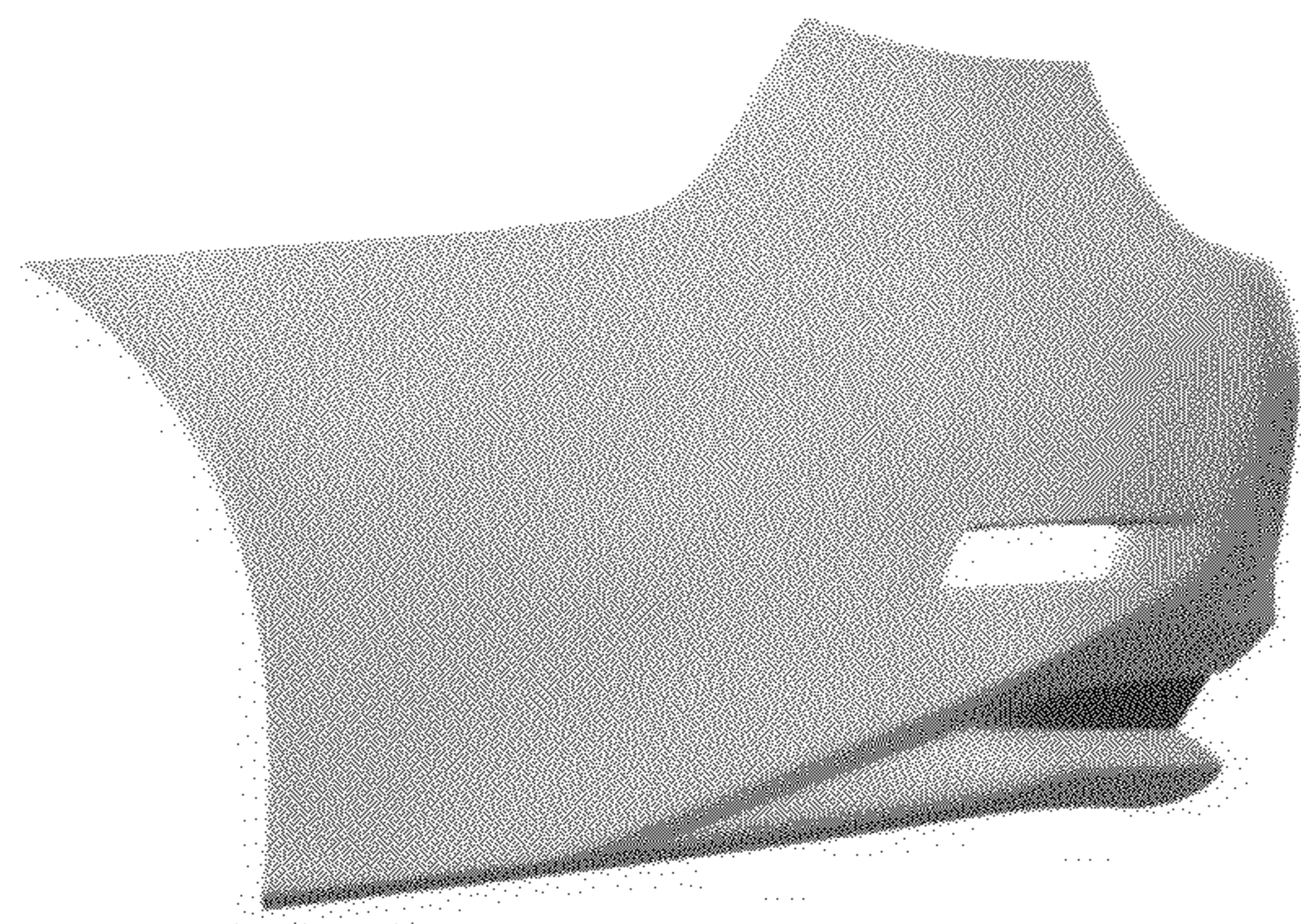


FIG. 4

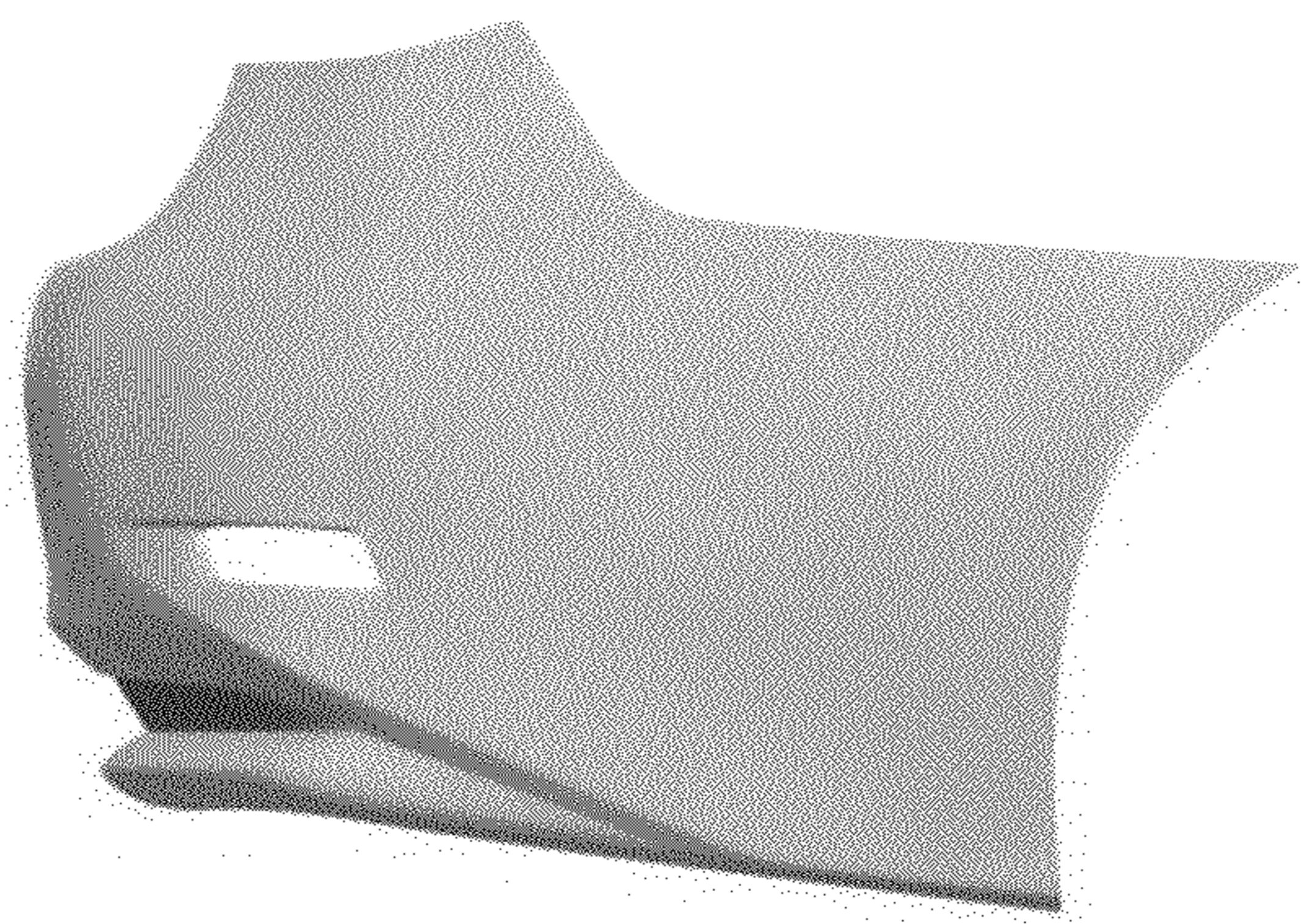


FIG. 5

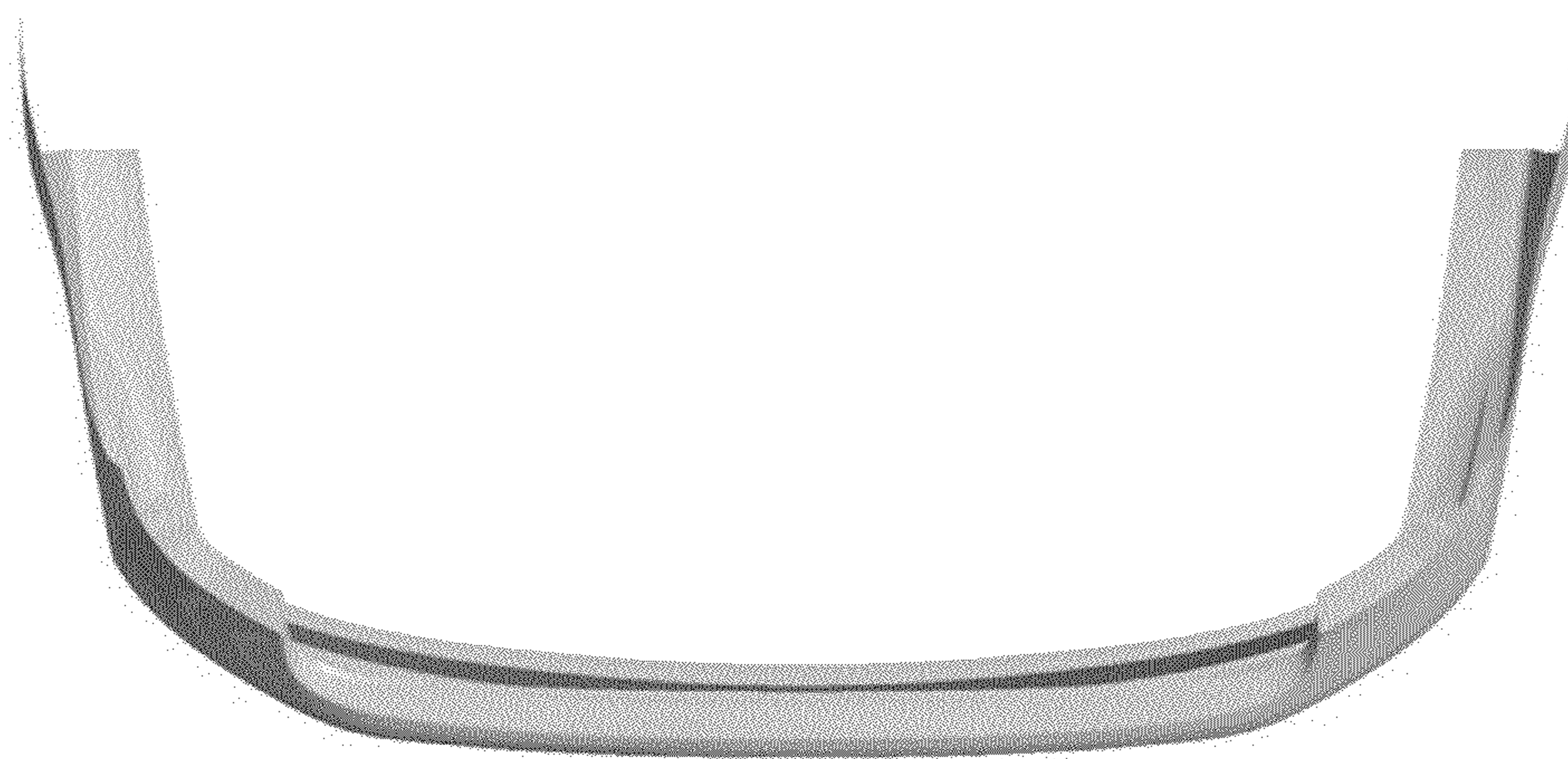


FIG. 6

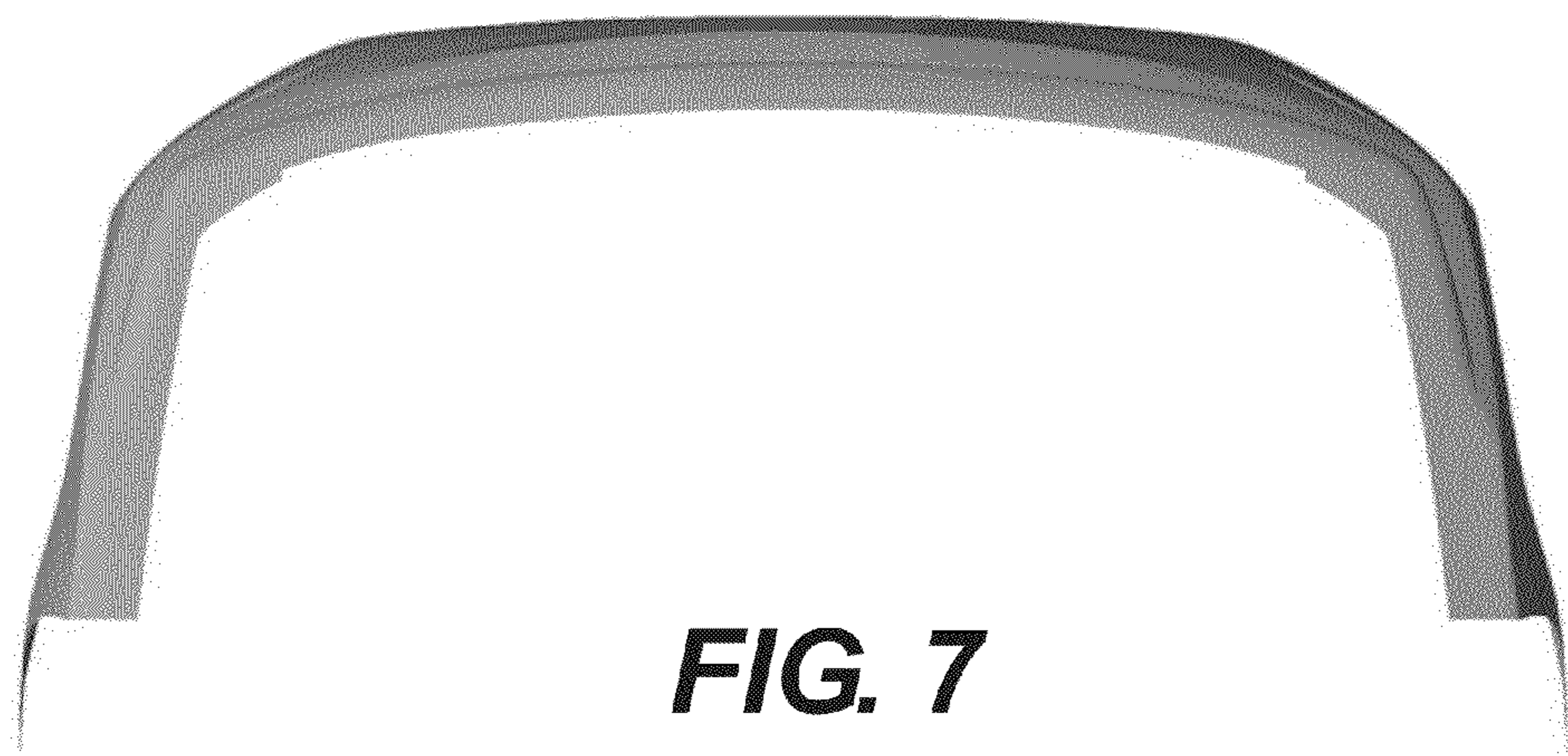


FIG. 7